



US00D829008S

(12) **United States Design Patent**
Tamura

(10) **Patent No.:** **US D829,008 S**

(45) **Date of Patent:** **** Sep. 25, 2018**

(54) **BENCH**

(71) Applicant: **HBF**, Hickory, NC (US)

(72) Inventor: **Nao Tamura**, Brooklyn, NY (US)

(**) Term: **15 Years**

(21) Appl. No.: **29/606,570**

(22) Filed: **Jun. 6, 2017**

(51) **LOC (11) Cl.** **06-01**

(52) **U.S. Cl.**
USPC **D6/335**; D6/349; D6/381

(58) **Field of Classification Search**
USPC D6/334–338, 340–343, 349–353, 355,
D6/358, 360, 364–365, 367, 371–373,
D6/381, 596, 597, 601, 604, 691–691.9,
D6/692–692.6, 708.2, 708, 716–716.1
CPC A47C 11/00; A47C 12/00; A47C 3/18;
A47C 9/002; A47C 16/00; A47C
16/02–16/04; A47K 17/02; A47K 17/028
See application file for complete search history.

(56) **References Cited**

U.S. PATENT DOCUMENTS

D192,913 S *	5/1962	Wilson	D6/336
D251,460 S *	4/1979	Albert	D6/336
D257,916 S *	1/1981	Shelton	D6/340
D272,108 S *	1/1984	Morris, Jr.	D6/336
D288,507 S *	3/1987	Evans	D6/336
D428,713 S *	8/2000	Arko	D6/336
D473,724 S *	4/2003	Hans De Wit	D6/336
D568,622 S *	5/2008	Little	D6/335

D584,074 S *	1/2009	Gadzinski	D6/642
D596,872 S *	7/2009	Seitz	D6/384
D650,612 S *	12/2011	Frinier	D6/691.3
D704,941 S *	5/2014	Anderson	D6/349
D759,395 S *	6/2016	Hashemi	D6/336
D778,088 S *	2/2017	Hiyoshi	D6/691
D802,945 S *	11/2017	Rivera, Jr.	D6/337

OTHER PUBLICATIONS

Best of NeoCon 2017 Surface. [online] Published Jun. 14, 2017.
Retrieved Apr. 6, 2018 from URL: <http://www.surfacemag.com/articles/best-of-neocon-2017/>.*

* cited by examiner

Primary Examiner — Vy N Koenig
(74) *Attorney, Agent, or Firm* — Faegre Baker Daniels
LLP

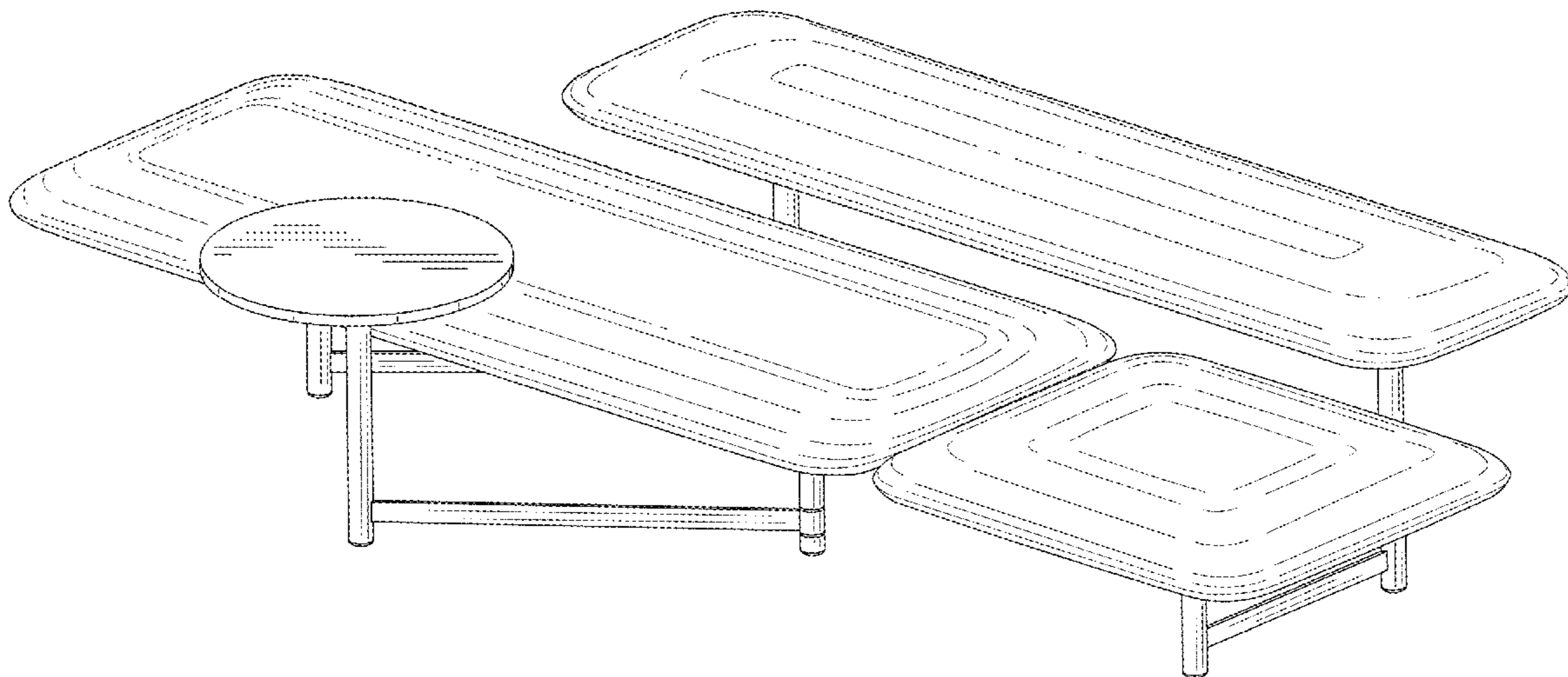
(57) **CLAIM**

The ornamental design for a bench, as shown and described.

DESCRIPTION

FIG. 1 is a front, top and right perspective view of a bench showing my new design.
FIG. 2 is a front, bottom and left perspective view thereof.
FIG. 3 is a front view thereof.
FIG. 4 is a back view thereof.
FIG. 5 is a left side view thereof.
FIG. 6 is a right side view thereof.
FIG. 7 is a top view thereof; and,
FIG. 8 is a bottom view thereof.

1 Claim, 8 Drawing Sheets



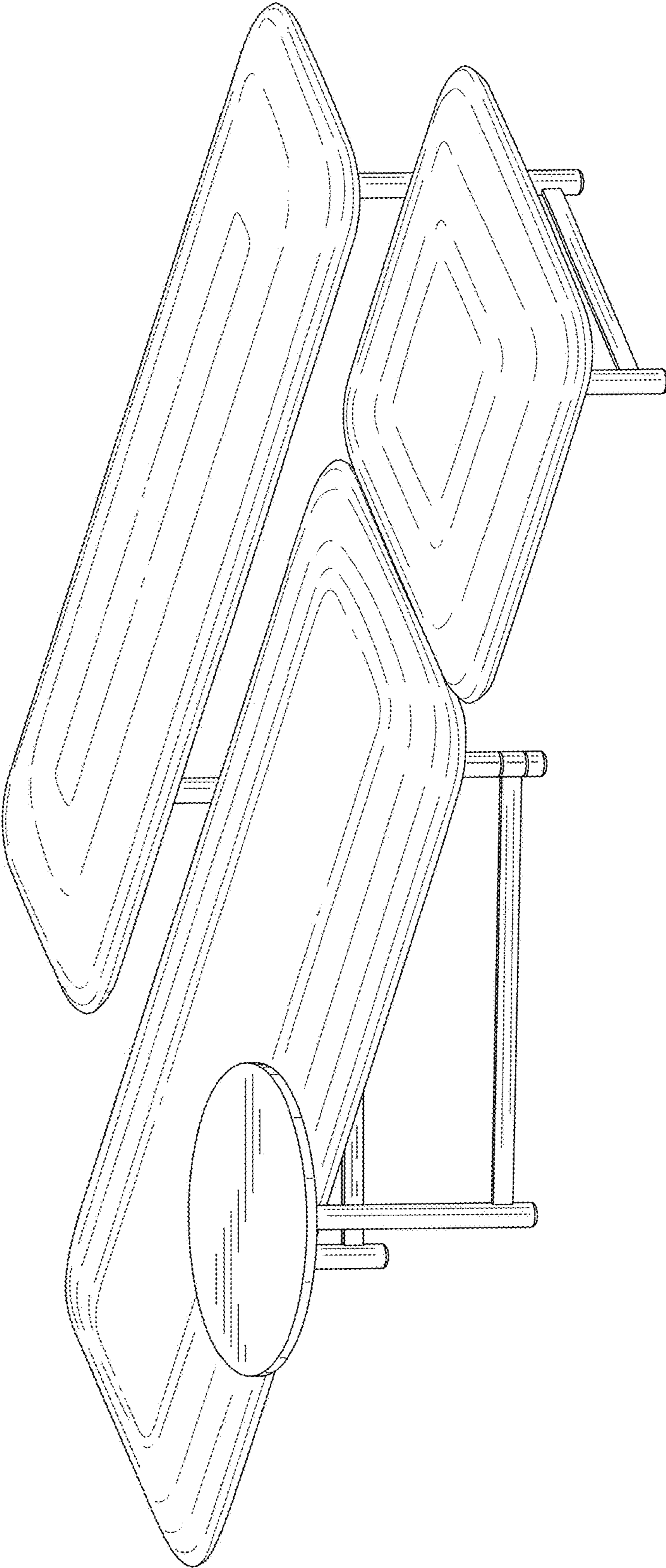


FIG. 1

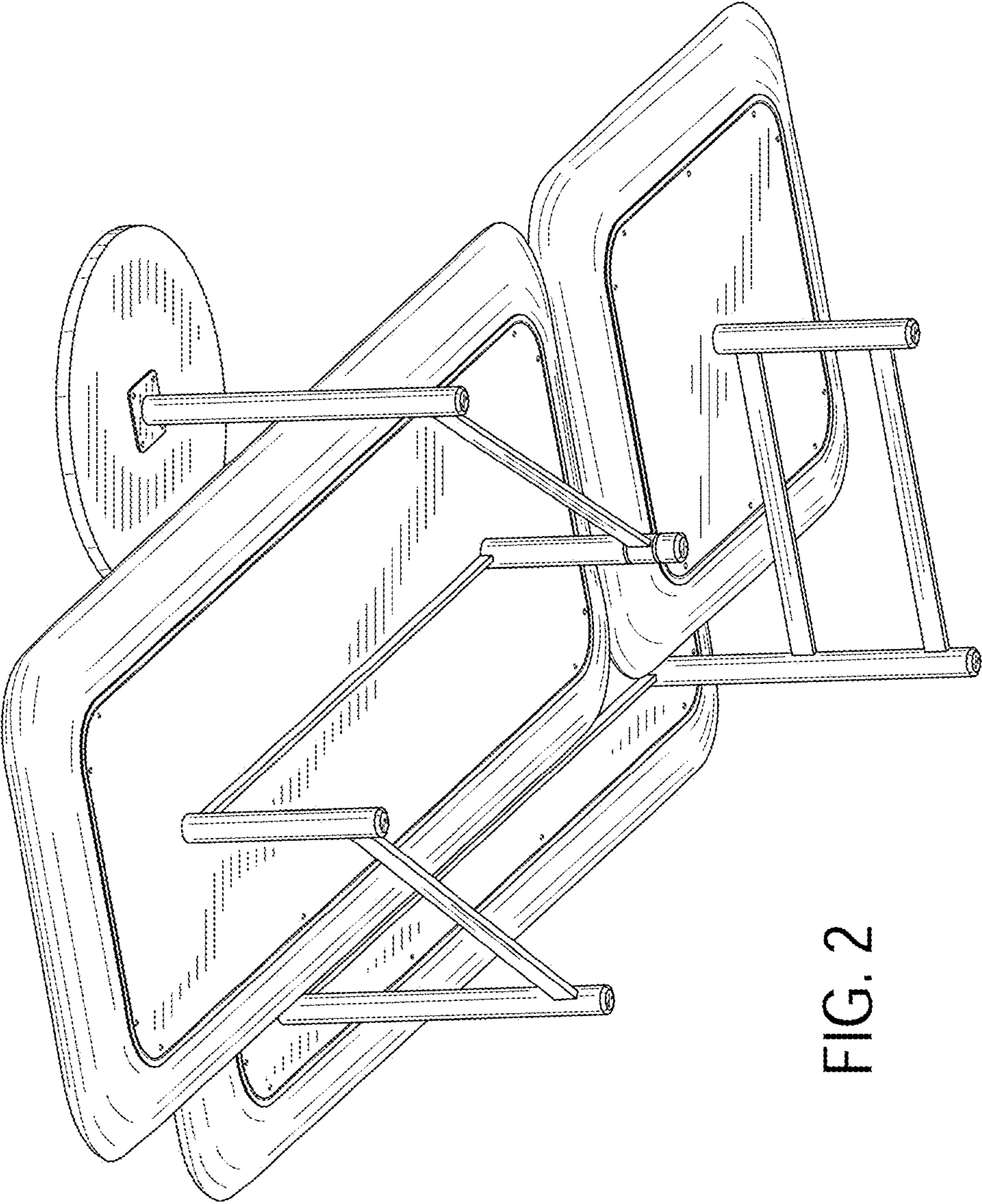


FIG. 2

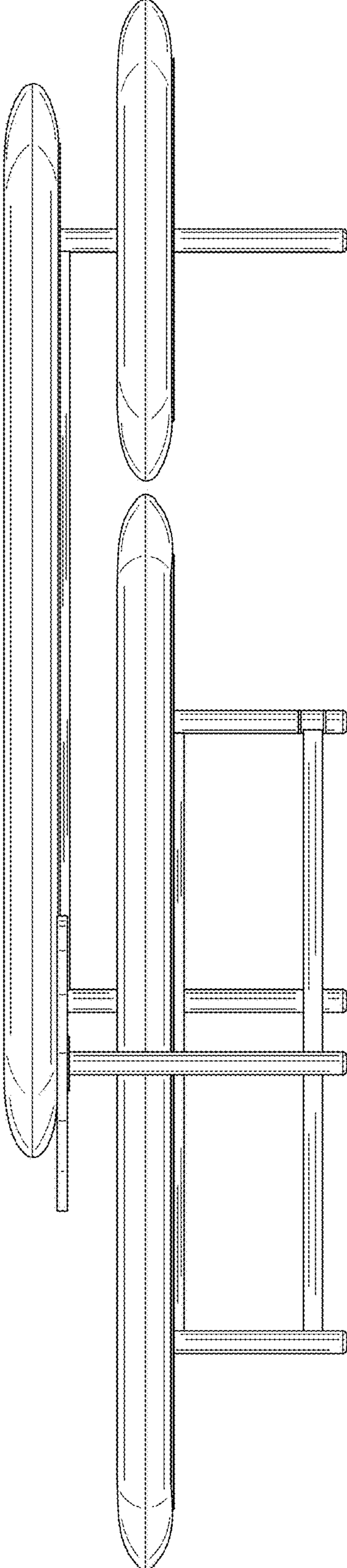


FIG. 3

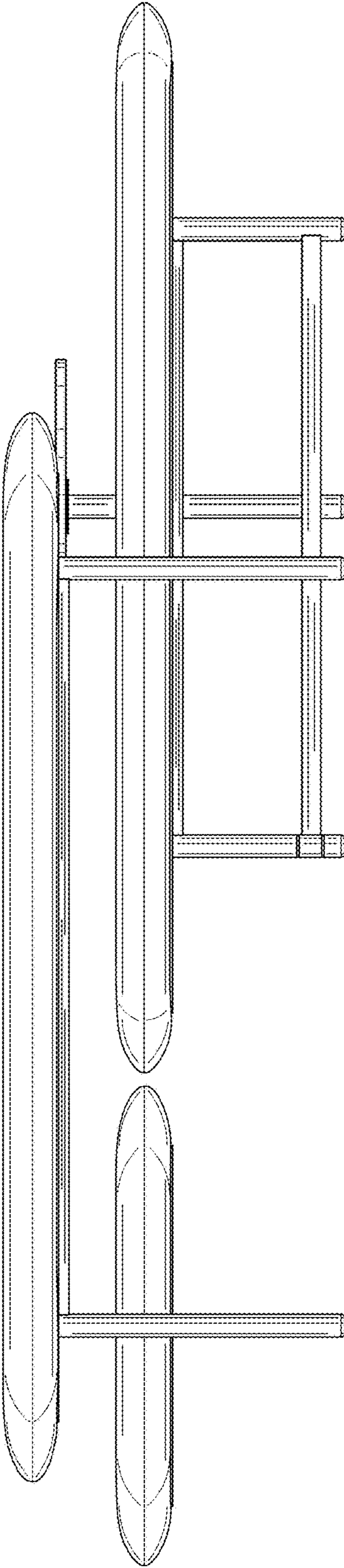


FIG. 4

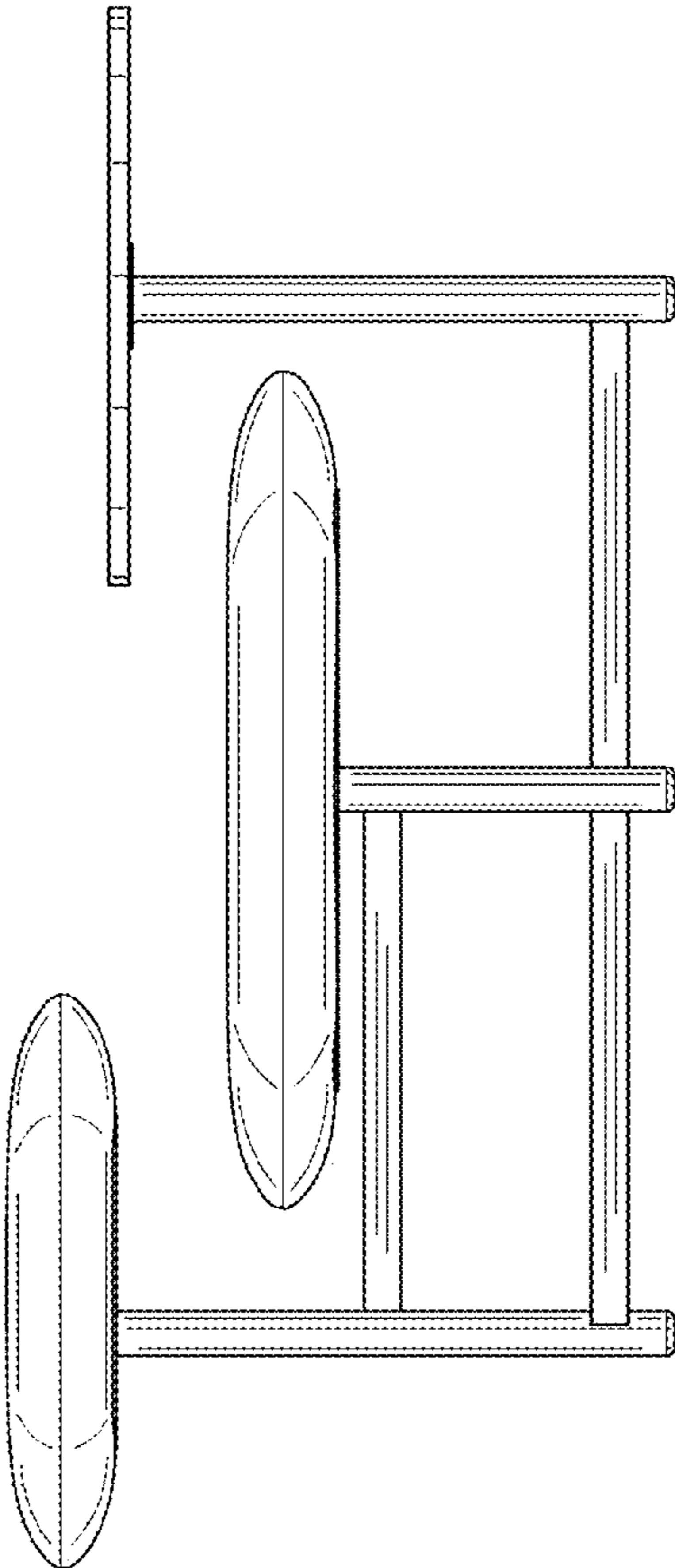


FIG. 5

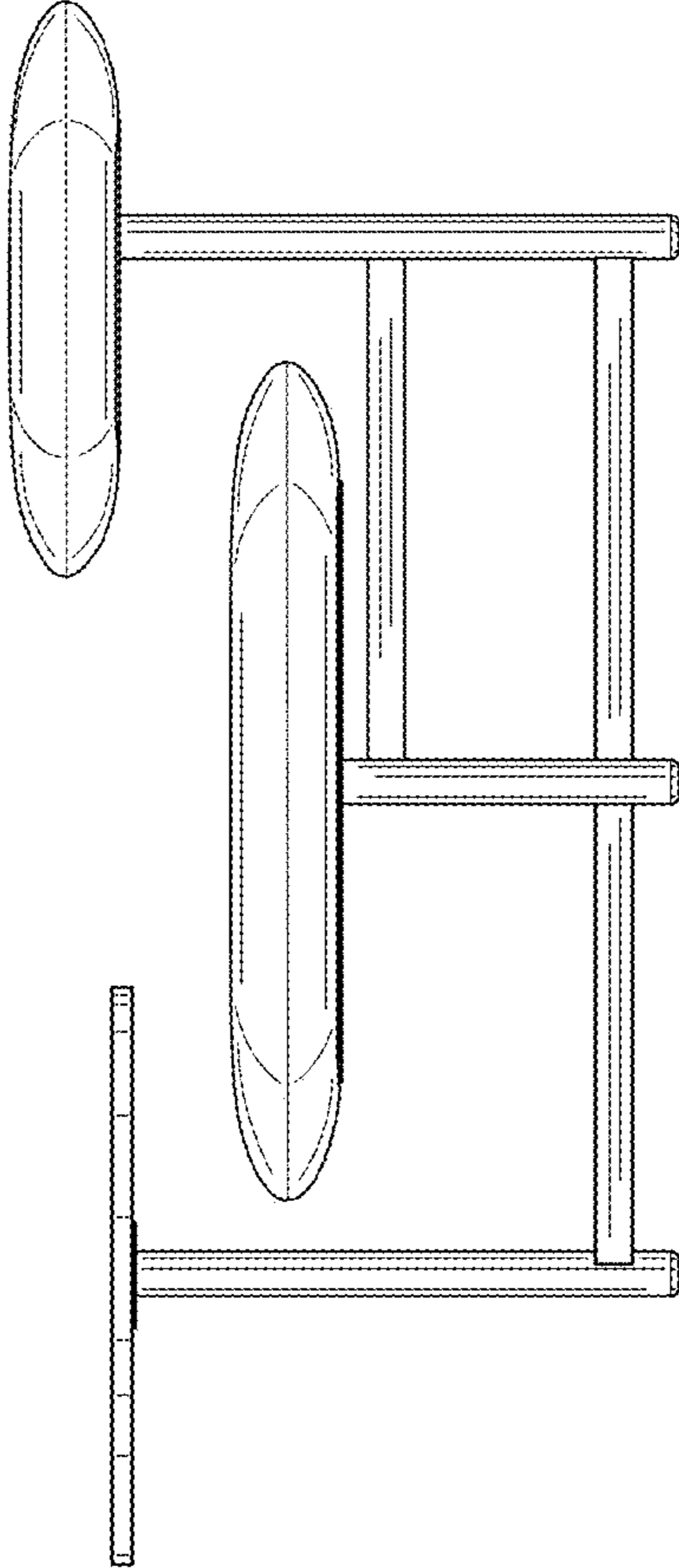


FIG. 6

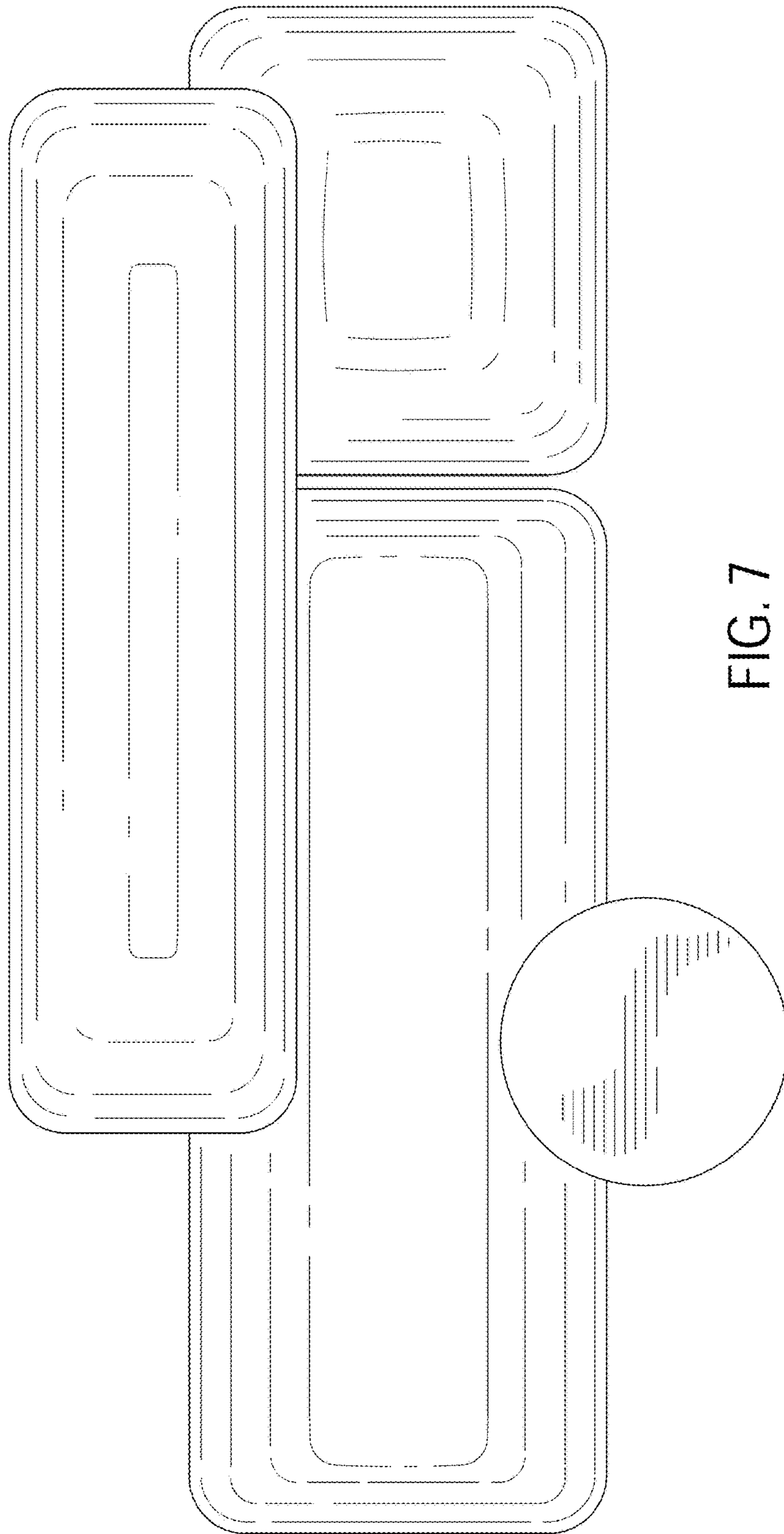


FIG. 7

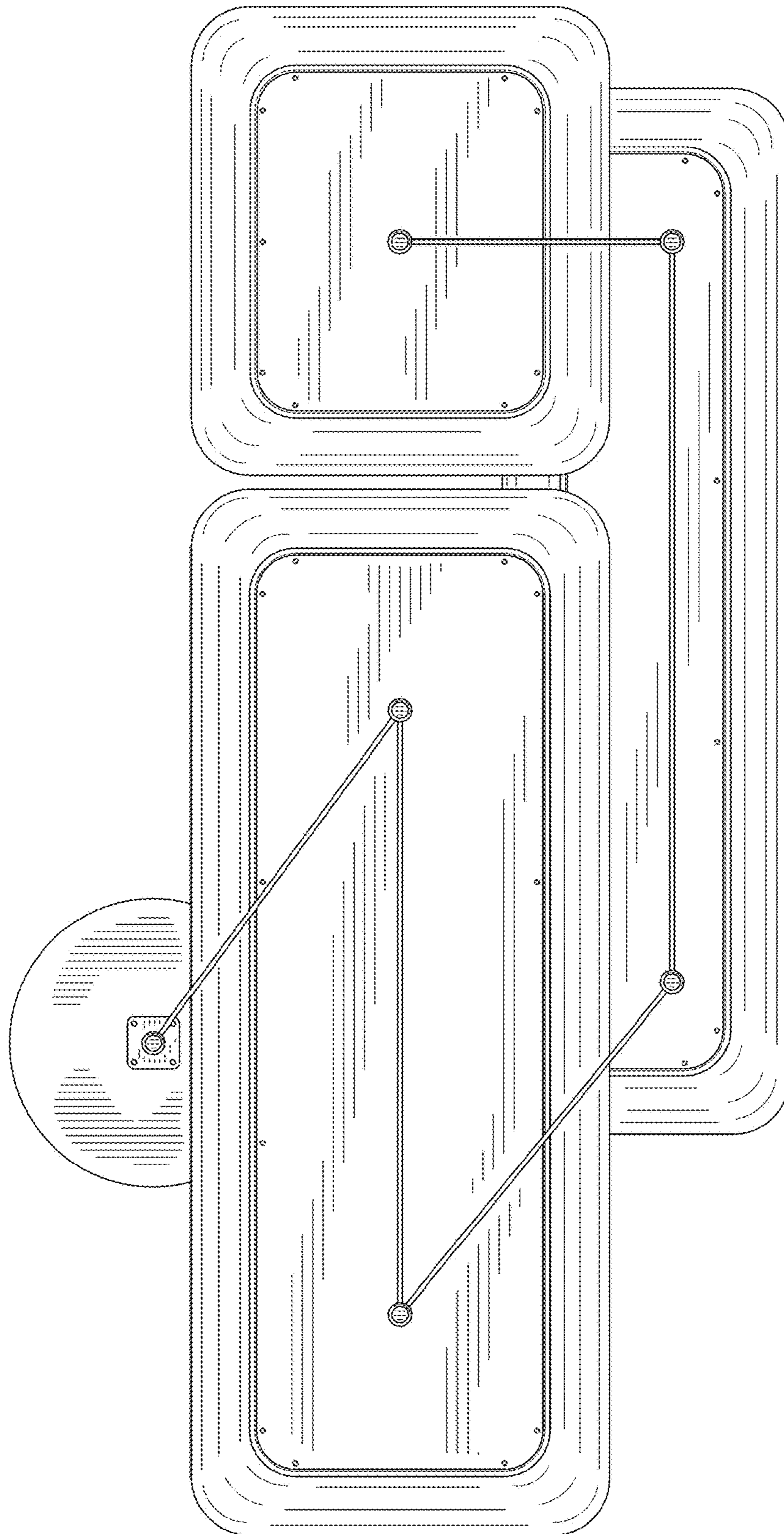


FIG. 8