



US00D829007S

(12) **United States Design Patent**
Choi

(10) **Patent No.:** **US D829,007 S**

(45) **Date of Patent:** **** Sep. 25, 2018**

(54) **VANITY MIRROR**

(71) Applicant: **IMPRESSIONS VANITY COMPANY**, Tustin, CA (US)

(72) Inventor: **Dong Choi**, Temple City, CA (US)

(73) Assignee: **IMPRESSIONS VANITY COMPANY**, Tustin, CA (US)

(**) Term: **15 Years**

(21) Appl. No.: **29/589,935**

(22) Filed: **Jan. 5, 2017**

(51) **LOC (11) Cl.** **06-03**

(52) **U.S. Cl.**
USPC **D6/310**

(58) **Field of Classification Search**
USPC D6/300-314
CPC ... A47G 1/00; A47G 1/02; A47G 1/06; A47G 1/0616; A47G 1/14; A47G 1/141; A45D 42/00; A45D 42/08; A45D 42/14; A45D 42/16; A45D 42/10
See application file for complete search history.

(56) **References Cited**

U.S. PATENT DOCUMENTS

D212,346 S *	10/1968	Shea	D6/309
D262,026 S *	11/1981	Garan	D14/240
D345,655 S *	4/1994	Freebairn	D6/308
D370,354 S *	6/1996	Deakyne	D6/300

D442,371 S *	5/2001	Eberts	D6/308
D444,634 S *	7/2001	Dodson	D6/312
D462,181 S *	9/2002	Vandenbussche	D6/310
D535,109 S *	1/2007	Palmer	D6/312
D543,366 S *	5/2007	Weatherly	D6/312
D559,559 S *	1/2008	Butcher	D6/309
D589,267 S *	3/2009	Pitot	D6/308
D639,077 S *	6/2011	DeBretton Gordon	D6/310
D701,050 S *	3/2014	Yang	D6/309
D727,995 S *	4/2015	Vilcovsky	D16/221
D743,704 S *	11/2015	Kaiser	D6/300
D749,329 S *	2/2016	Kaiser	D6/300

* cited by examiner

Primary Examiner — Deanna L Pratt

(74) *Attorney, Agent, or Firm* — Stetina Brunda Garred & Brucker

(57) **CLAIM**

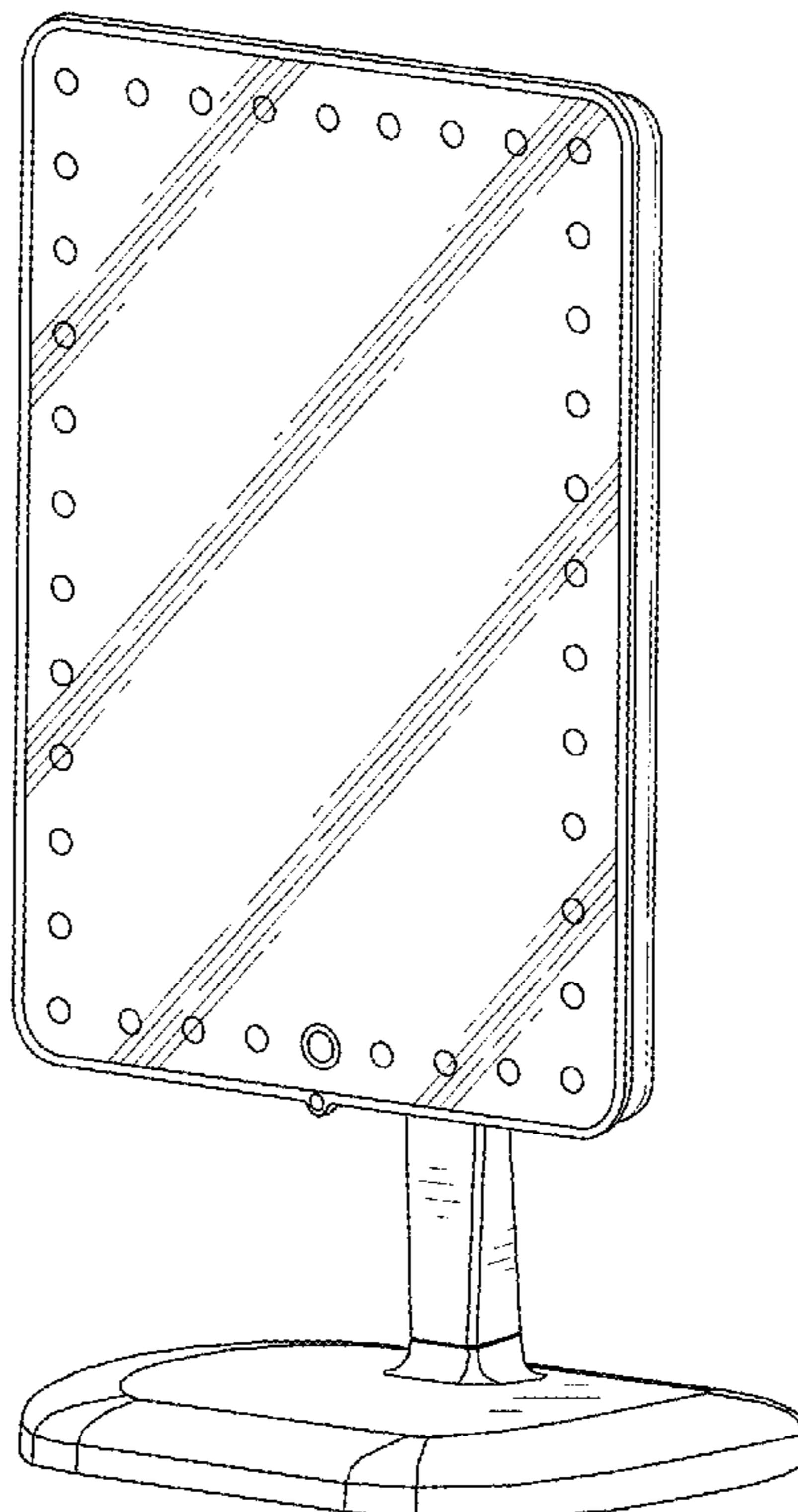
The ornamental design for a vanity mirror, as shown and described.

DESCRIPTION

FIG. 1 is a front perspective view showing the vanity mirror of the present invention;
FIG. 2 is a top plan view thereof;
FIG. 3 is a front view thereof;
FIG. 4 is a right side view thereof;
FIG. 5 is a rear view thereof;
FIG. 6 is a left side view thereof; and,
FIG. 7 is a bottom view thereof.

The broken lines in the drawings illustrate portions of the vanity mirror that form no part of the claimed design.

1 Claim, 3 Drawing Sheets



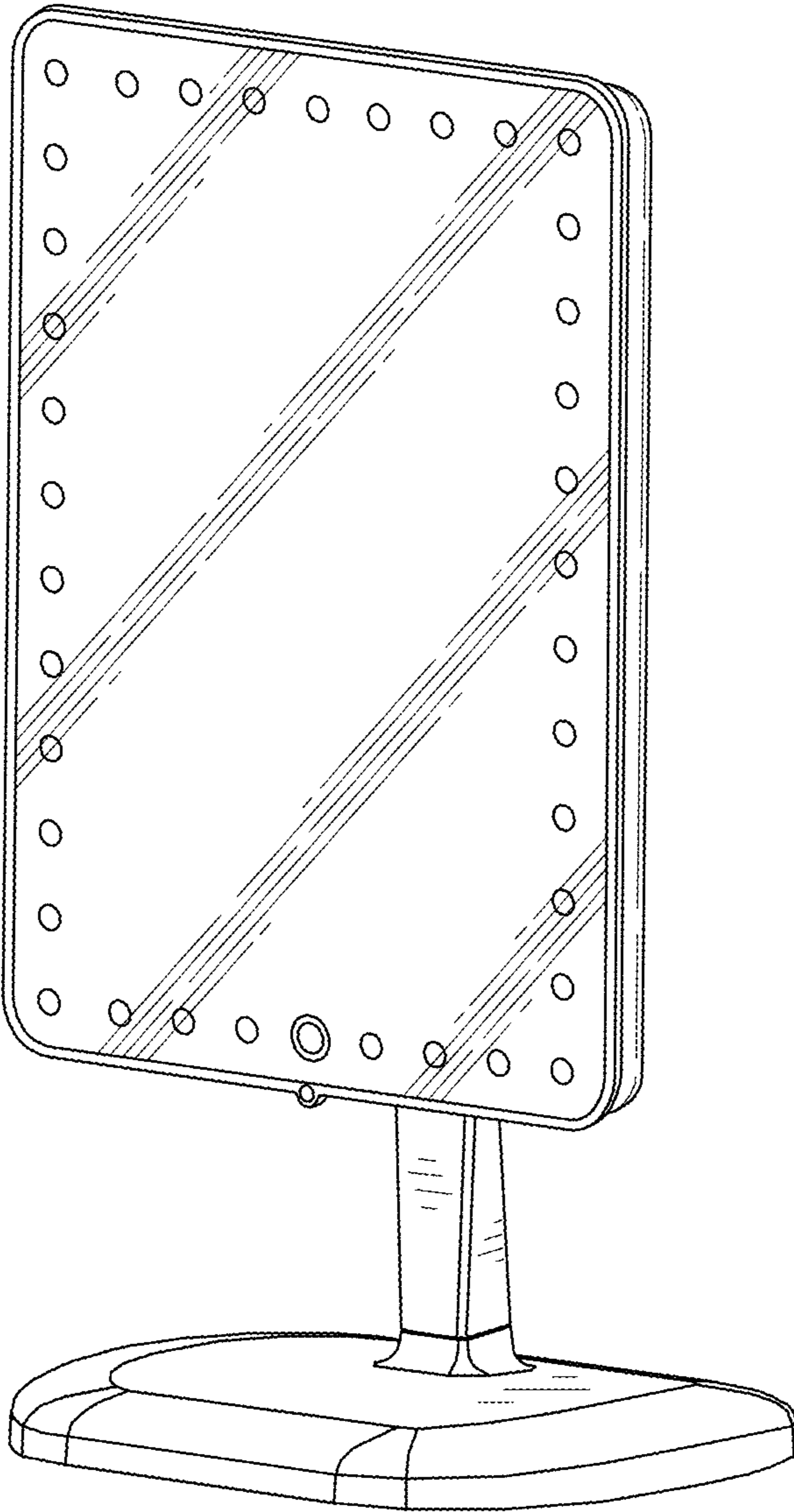


FIG. 1

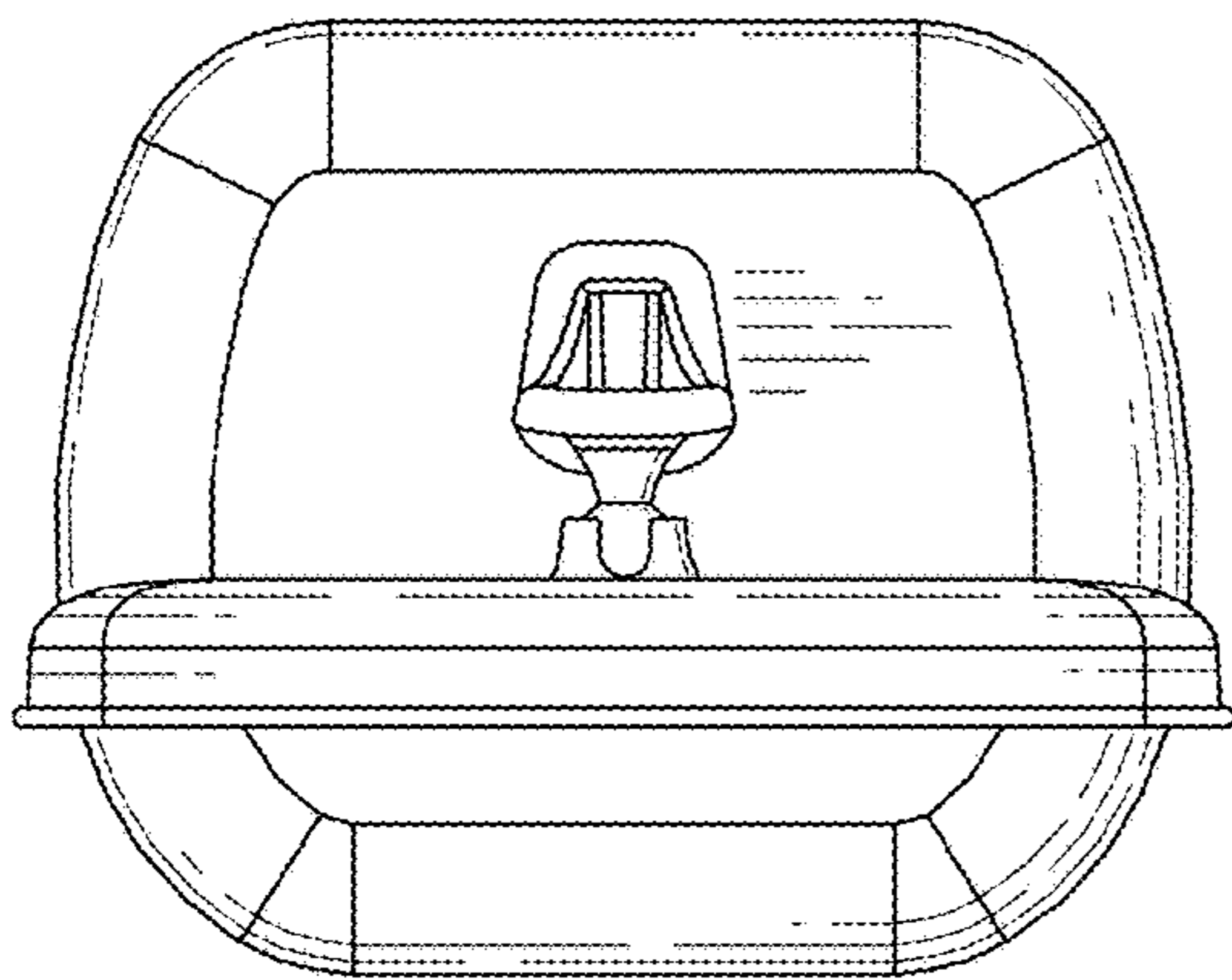


FIG. 2

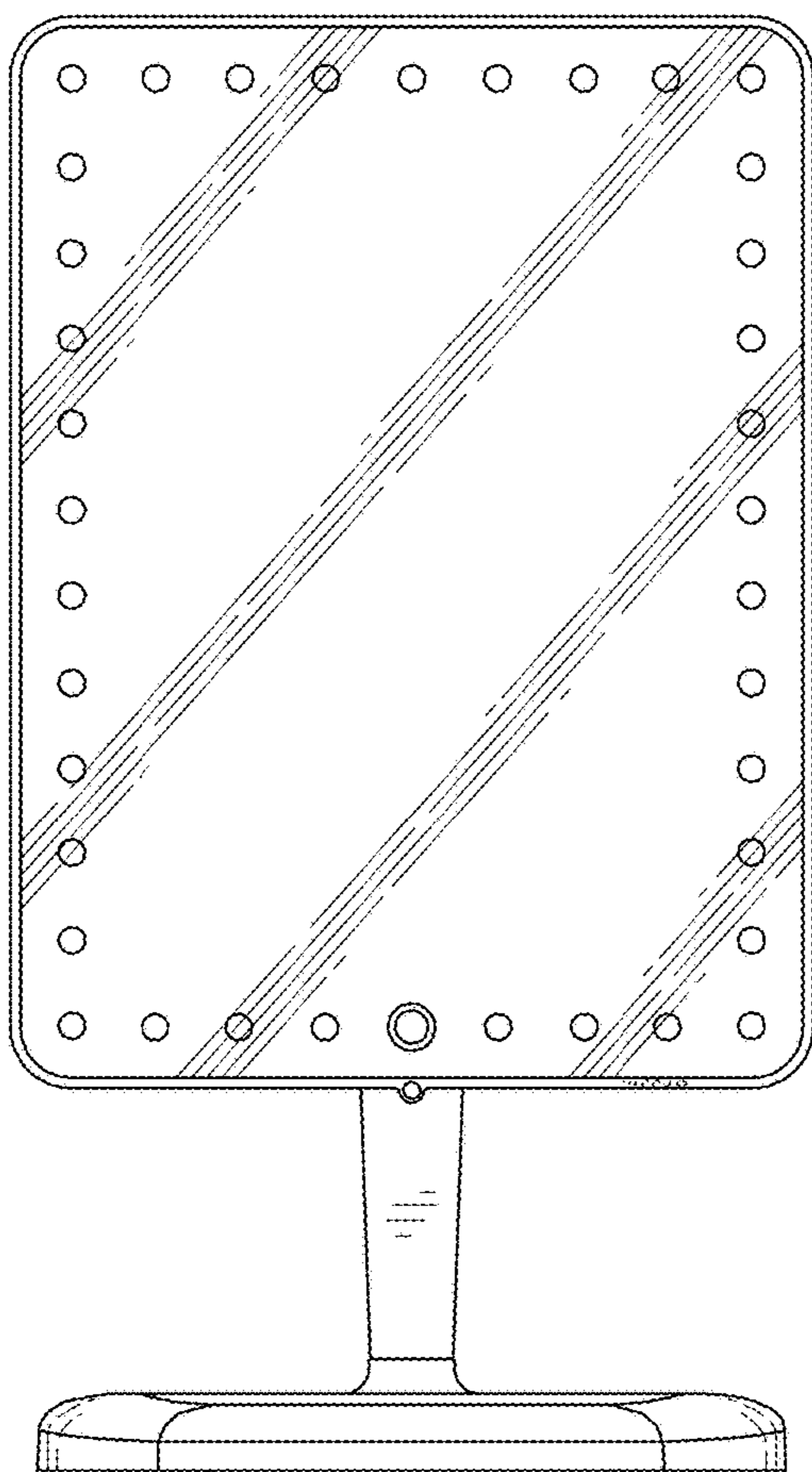


FIG. 3

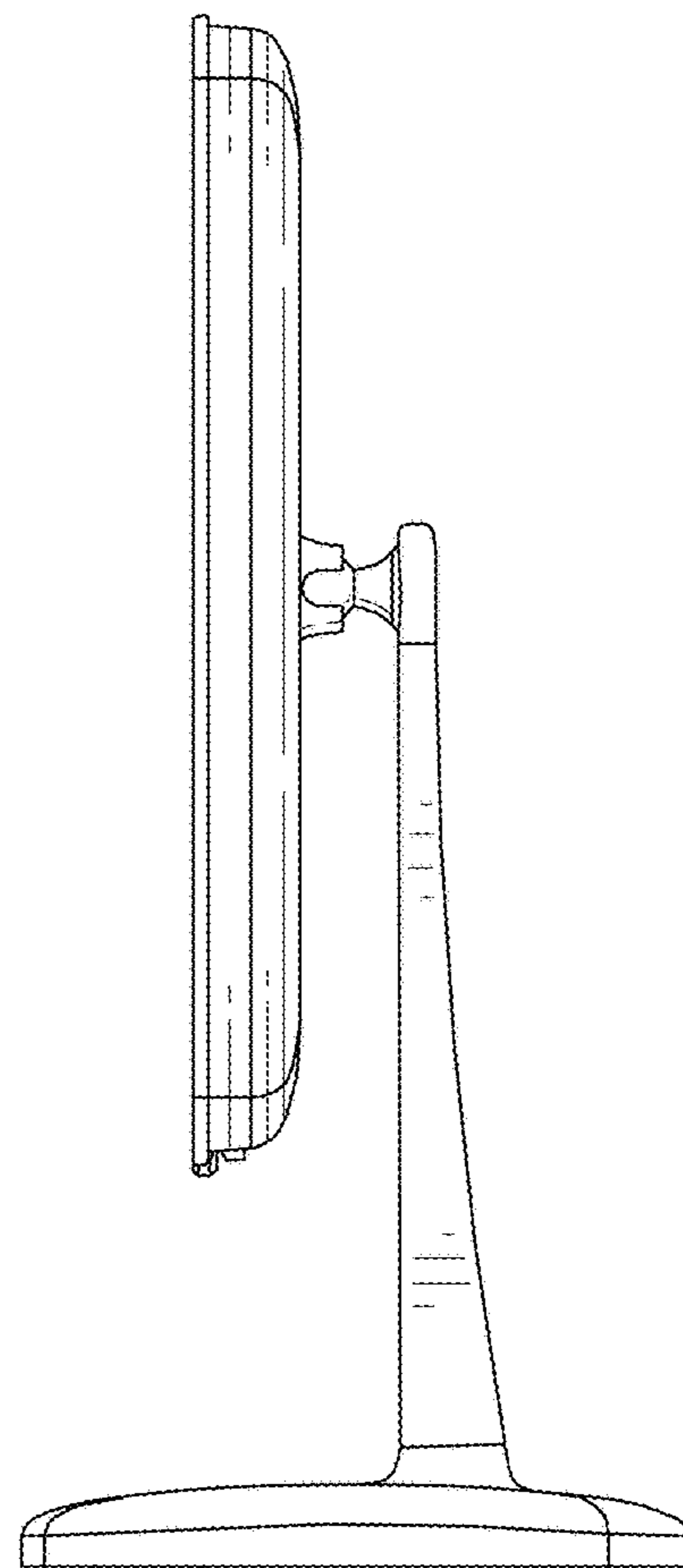


FIG. 4

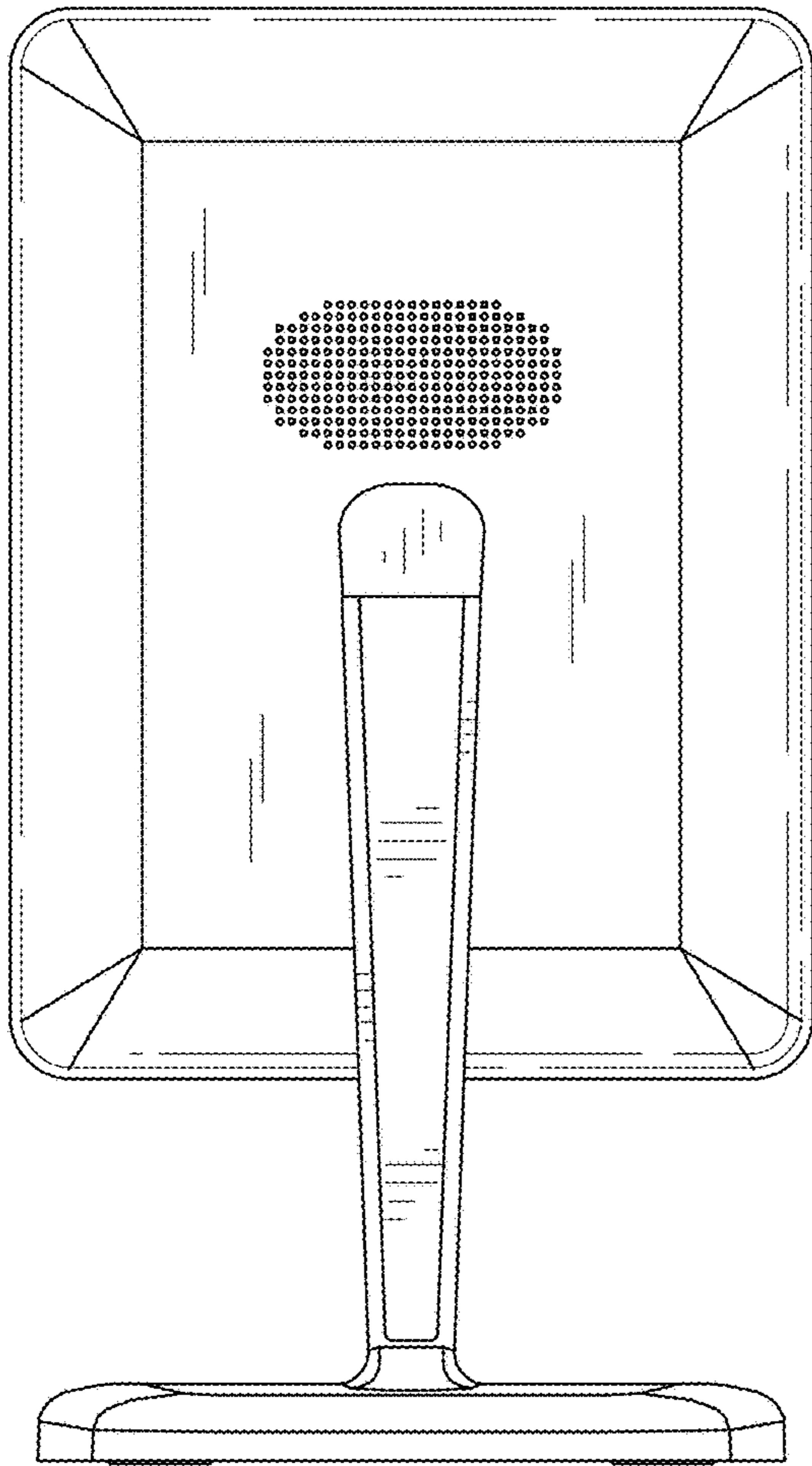


FIG. 5

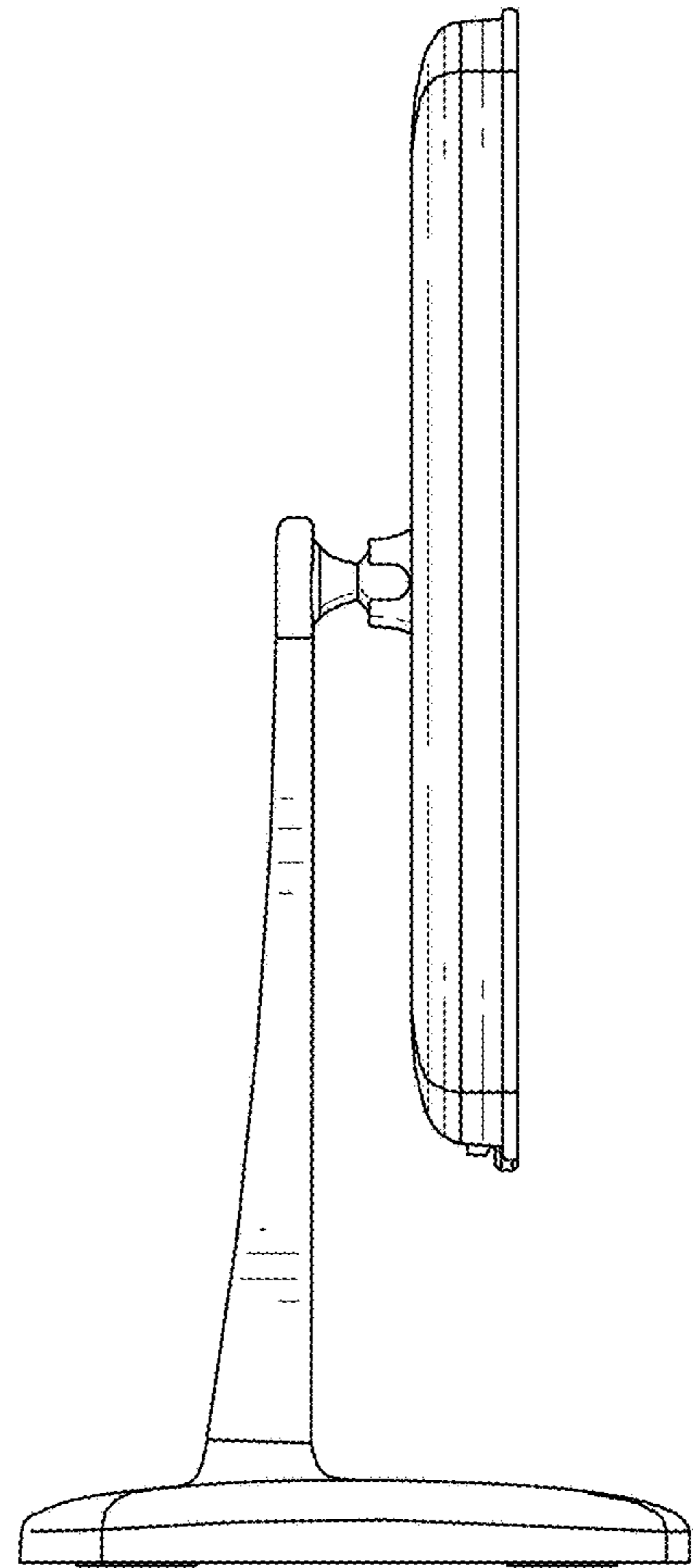


FIG. 6

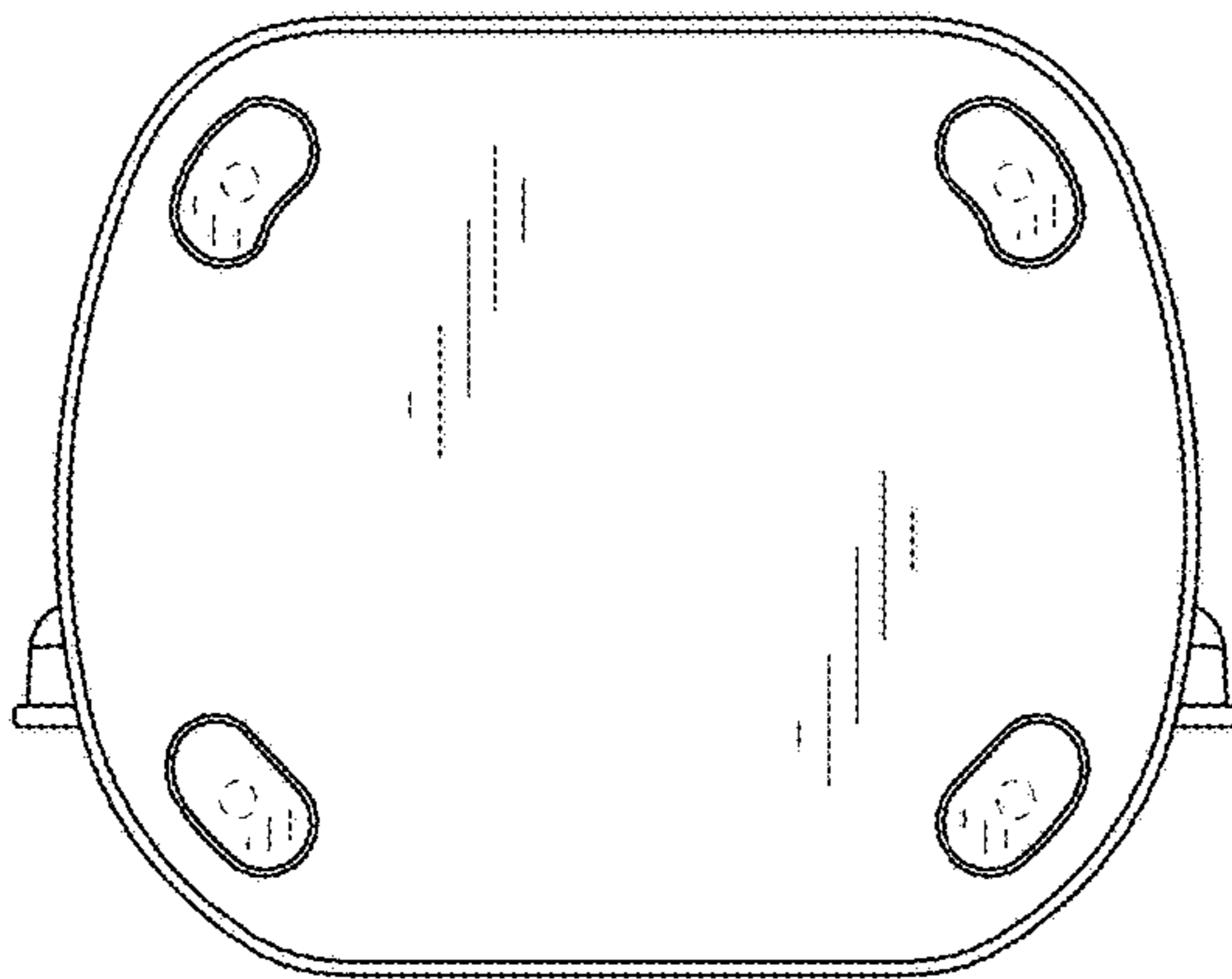


FIG. 7