



US00D829004S

(12) **United States Design Patent** (10) **Patent No.:** **US D829,004 S**  
**Cohen et al.** (45) **Date of Patent:** **\*\* Sep. 25, 2018**

(54) **BRUSH**

FOREIGN PATENT DOCUMENTS

(71) Applicant: **Paris Presents Incorporated**, Gurnee, IL (US)

CN 301864035 3/2012  
CN 302272381 1/2013

(Continued)

(72) Inventors: **Elizabeth Cohen**, Highland Park, IL (US); **Amanda Young**, Kenosha, WI (US); **Tara Gleisner-Rocque**, Gurnee, IL (US); **Nicole Rybacek**, Woodstock, IL (US); **Erik Peterson**, Grayslake, IL (US)

OTHER PUBLICATIONS

Screen shots from video entitled, "Ecotools Facial Cleansing Brush" [on-line]. Published on the Internet Jan. 5, 2017; retrieved May 14, 2018. URL: <<https://www.youtube.com/watch?v=a77JlflkefU>>. (7 pages) (Year: 2017).\*

(73) Assignee: **PARIS PRESENTS INCORPORATED**, Gurnee, IL (US)

(Continued)

(\*\*) Term: **15 Years**

*Primary Examiner* — Karen E Eldridge Powers

(21) Appl. No.: **29/614,968**

(74) *Attorney, Agent, or Firm* — Quarles & Brady LLP

(22) Filed: **Aug. 24, 2017**

(51) **LOC (11) Cl.** ..... **04-02**

(57) **CLAIM**

(52) **U.S. Cl.**  
USPC ..... **D4/102; D4/128**

The ornamental design for a brush, as shown and described.

(58) **Field of Classification Search**  
USPC ..... D4/100, 102, 109, 110, 111, 113, 121, D4/127, 128, 130, 131, 132, 133, 134, D4/138, 199; D24/211, 212, 213, 214, D24/215; D30/158, 159; 601/114  
CPC .. A46B 5/02; A46B 9/026; A46B 7/08; A46B 15/0087; A46B 2200/1006; A46B 13/008; A46B 13/02; A46B 2200/102; A46B 5/021; A46B 9/02; A46B 15/0004; A46B 15/0046

See application file for complete search history.

**DESCRIPTION**

FIG. 1 is a front, top, and right side perspective view of a brush;  
FIG. 2 is a front elevational view of the brush of FIG. 1;  
FIG. 3 is a rear elevational view of the brush of FIG. 1;  
FIG. 4 is a right side elevational view of the brush of FIG. 1;  
FIG. 5 is a left side elevational view of the brush of FIG. 1;  
FIG. 6 is a top plan view of the brush of FIG. 1;  
FIG. 7 is a bottom plan view of the brush of FIG. 1; and,  
FIG. 8 is a perspective view of a front, bottom, and right side of the brush of FIG. 1.  
The dash-dash-dash lines are included for the purpose of illustrating portions of the brush that form no part of the claimed design.

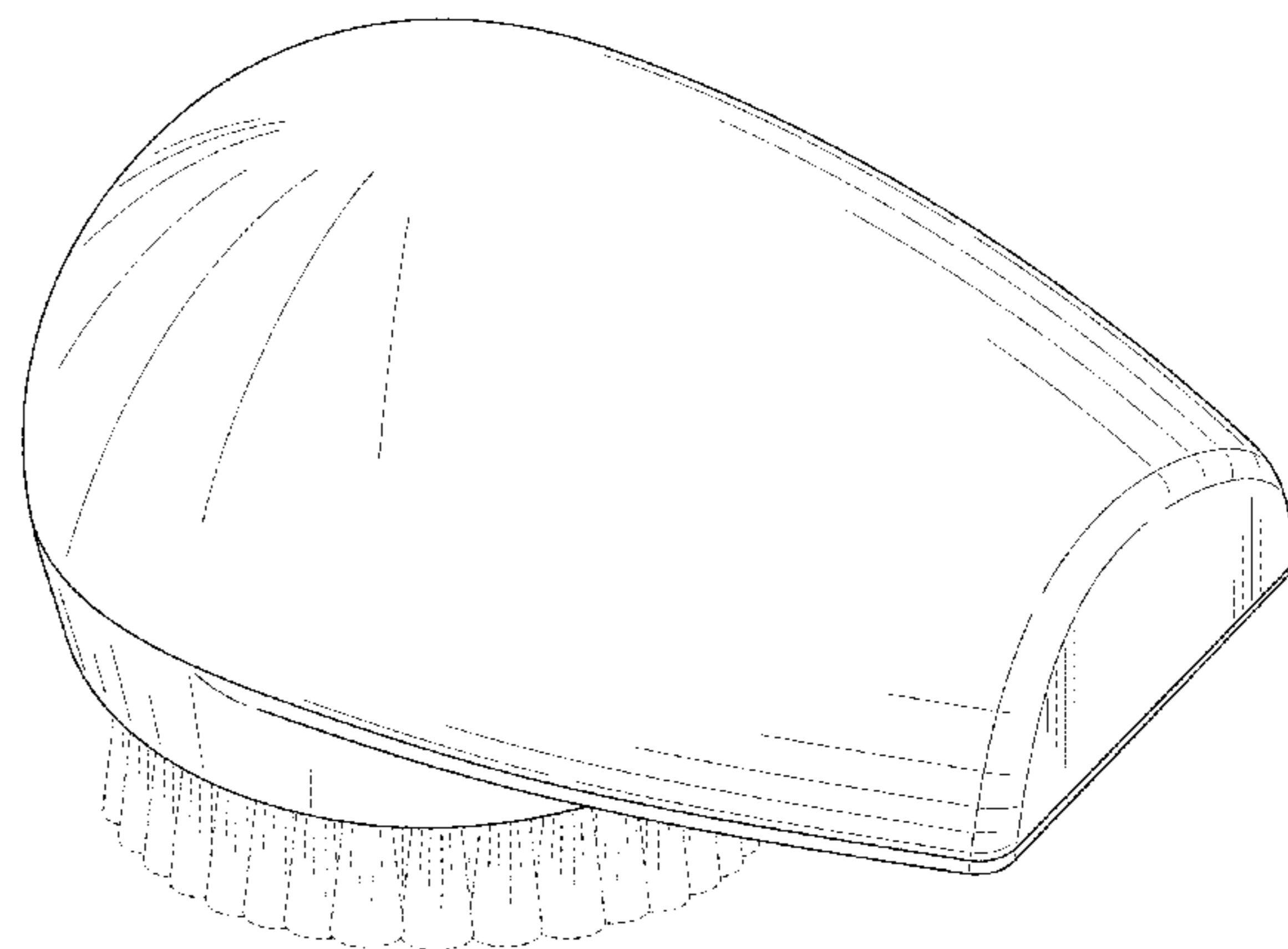
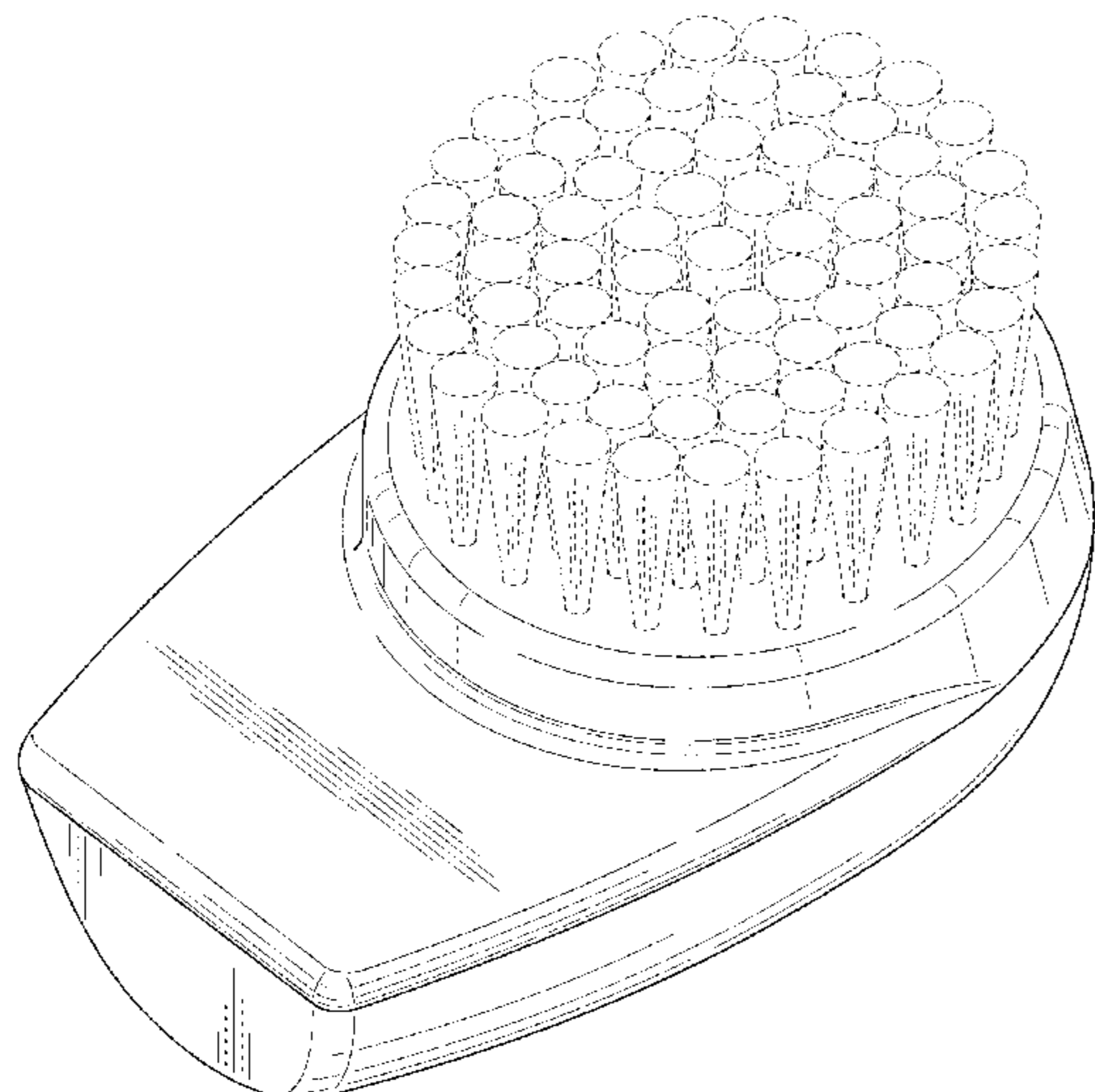
(56) **References Cited**

U.S. PATENT DOCUMENTS

D92,088 S 4/1934 Johnson  
2,837,755 A 6/1958 Jones  
2,985,166 A \* 5/1961 Burkardt ..... A61H 23/0218  
601/18  
D196,471 S \* 10/1963 Myers ..... D24/214

(Continued)

**1 Claim, 8 Drawing Sheets**



(56)

References Cited

U.S. PATENT DOCUMENTS

3,503,395 A \* 3/1970 Meyer ..... A61H 23/0218  
 219/228  
 D234,725 S \* 4/1975 Yamada ..... D24/214  
 4,027,348 A \* 6/1977 Flowers ..... A46B 13/02  
 15/22.1  
 D245,948 S \* 10/1977 Wolff ..... D4/102  
 4,292,986 A 10/1981 Ergaver et al.  
 D307,216 S 4/1990 Yuen  
 D357,125 S 4/1995 Hernandez  
 5,862,559 A 1/1999 Hunter  
 D442,369 S 5/2001 Damiano  
 D450,930 S 11/2001 Mink et al.  
 D454,001 S 3/2002 Mink et al.  
 6,900,560 B2 5/2005 Ji  
 D607,563 S 1/2010 Hull et al.  
 D631,663 S \* 2/2011 Krus ..... D4/127  
 D681,959 S \* 5/2013 Myoung ..... D4/127  
 8,500,754 B2 8/2013 Hull, Jr.  
 D706,542 S 6/2014 Lavigne  
 D728,241 S \* 5/2015 Helmbold ..... D4/102  
 D739,145 S \* 9/2015 von Berg ..... D4/102  
 D743,174 S 11/2015 von Berg  
 D770,181 S \* 11/2016 Reishus ..... D4/100  
 D774,774 S 12/2016 Nichols  
 D781,588 S \* 3/2017 Lee ..... D4/102  
 D796,544 S 9/2017 Brisky  
 D801,058 S 10/2017 Xavier et al.  
 9,787,167 B2 10/2017 Skidmore  
 2012/0296342 A1 11/2012 Haglund Wendelschafer  
 2014/0331422 A1 11/2014 Lim  
 2015/0173998 A1 6/2015 Thiebaut et al.  
 2016/0206087 A1 7/2016 Skidmore et al.  
 2017/0127815 A1 5/2017 Renfro

FOREIGN PATENT DOCUMENTS

CN 303110427 2/2015  
 CN 303512789 \* 12/2015  
 CN 304282029 \* 9/2017  
 EM 001890450-0001 7/2011  
 EM 303332311-0004 8/2016  
 JP 01303787 6/2007  
 JP D1508527 \* 10/2014  
 KR 300647342 6/2012  
 KR 300778256 1/2015  
 KR 300873441 9/2016  
 WO D095142 3/2017

OTHER PUBLICATIONS

EcoTools Facial Cleansing Brush [on-line]. Retrieved from the Internet May 14, 2018. URL: <<https://www.iherb.com/pr/EcoTools-Facial-Cleansing-Brush-1-Brush/72106>>. (10 pages) (Year: 2018).  
 \* Kristie Burnett, "Makeup Applications for Your Face," blushing BASICS, Feb. 20, 2013, 3 pages. [URL] <http://www.blushingbasics.com/2013/02/makeup-applicators-for-your-face.html?m=1>.  
 "Airbrush Foundation Kabuki Brush #129," Ulta Beauty, Sep. 19, 2014, 5 pages. [URL] <https://www.ulta.com/airbrush-foundation-kabuki-brush-129?productId=xlsImpprod11061104>.  
 "Tapered Kabuki Foundation Brush," Shany Cosmetics, Oct. 31, 2015, 5 pages. [URL] <https://web.archive.org/web/20151031233525/https://shanycosmetics.com/tapered-kabuki-foundation-brush>.  
 "ecoTOOLS Make-Up Kabuki Brush Set," Beauty Gal, Dec. 7, 2016, 7 pages. [URL] <https://web.archive.org/web/20161207061950/http://beautygal.info/g/39218/ecotools-make-up-kabuki-brush-set>.  
 "B05 Soft Kabuki Brush," PowerBleu—Real Techniques, Jan. 8, 2018, 5 pages. [URL] <https://realtechniques.com/b05-soft-kabuki-brush/p/1729>.

\* cited by examiner

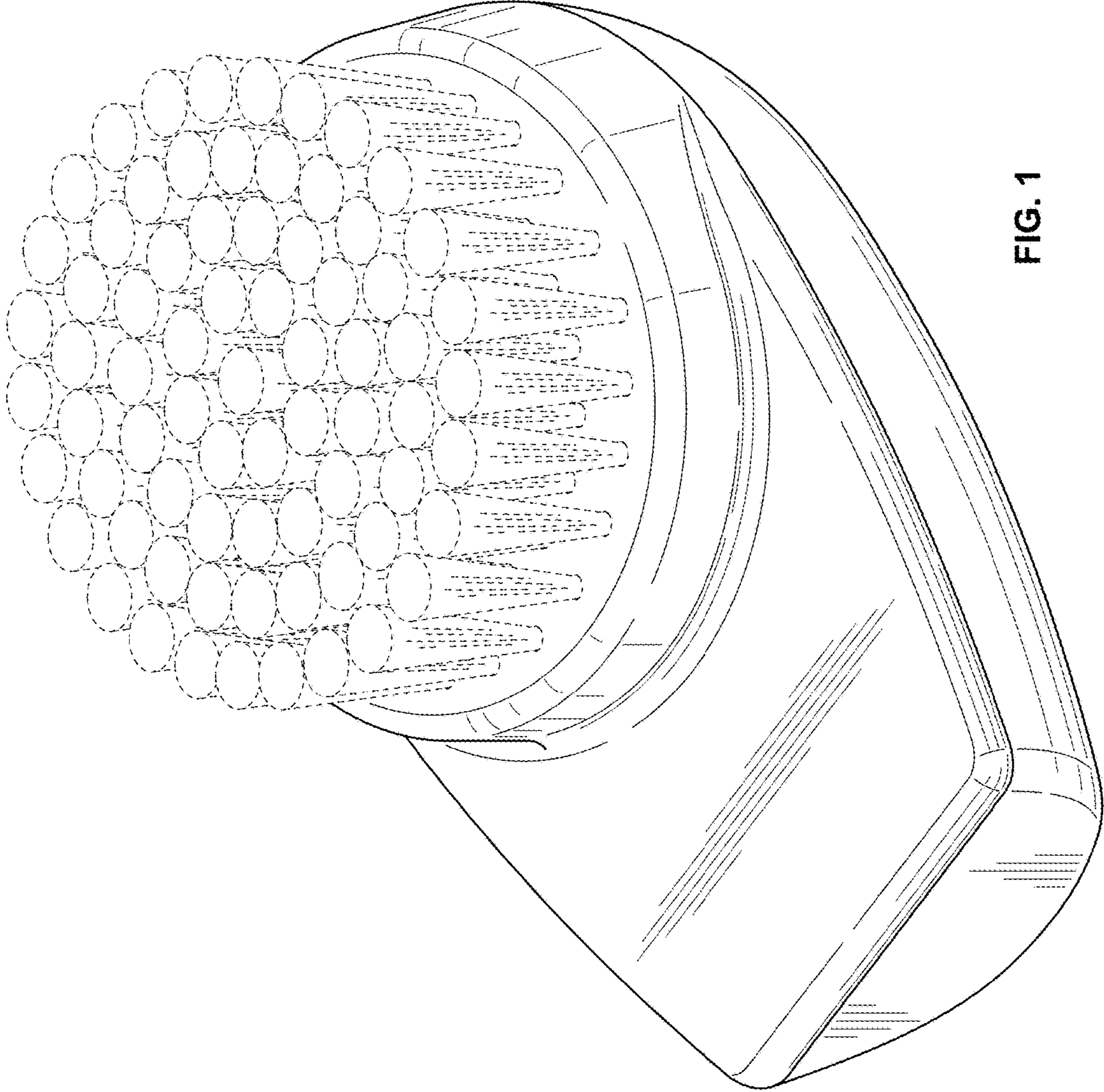


FIG. 1

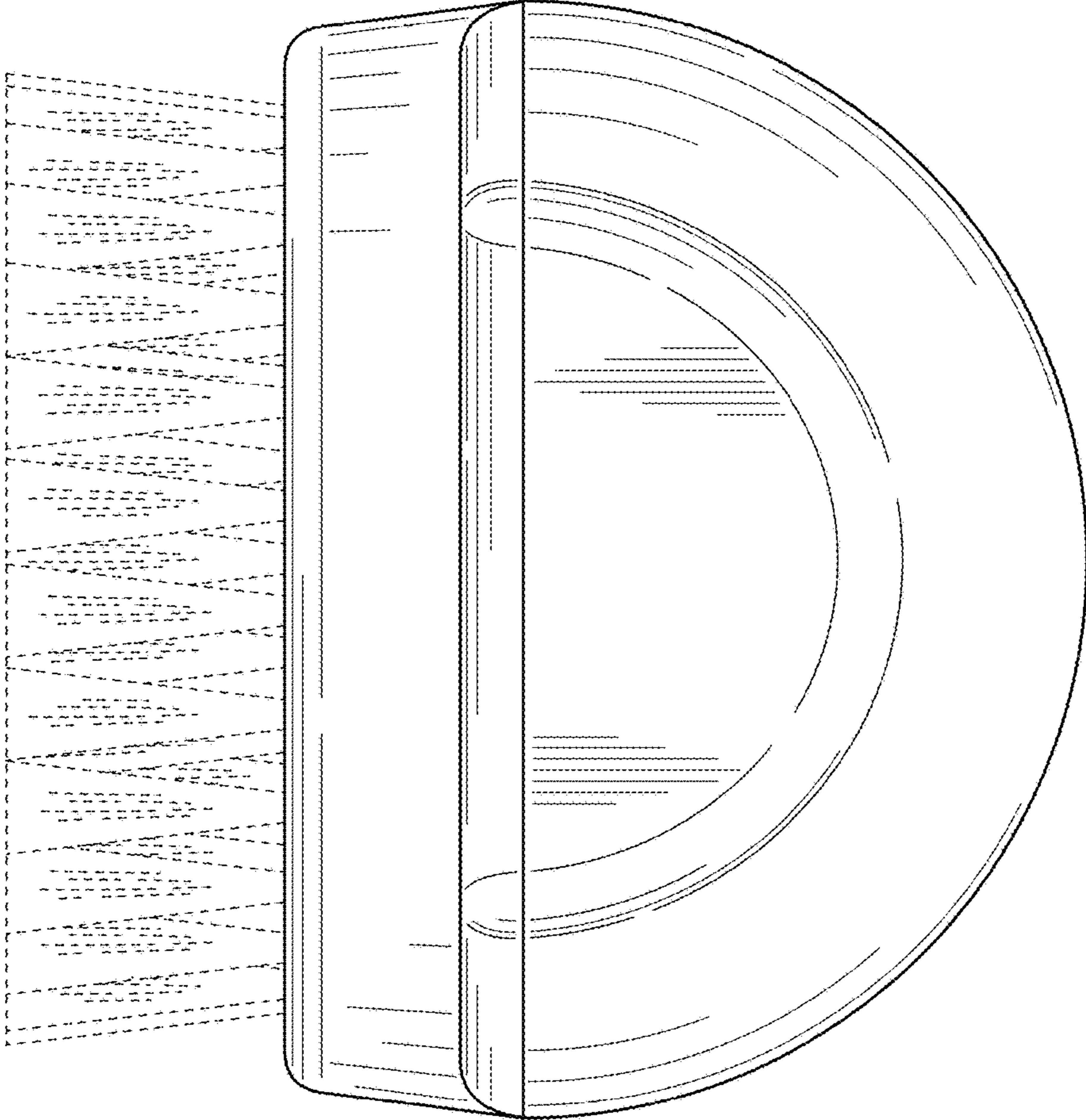


FIG. 2

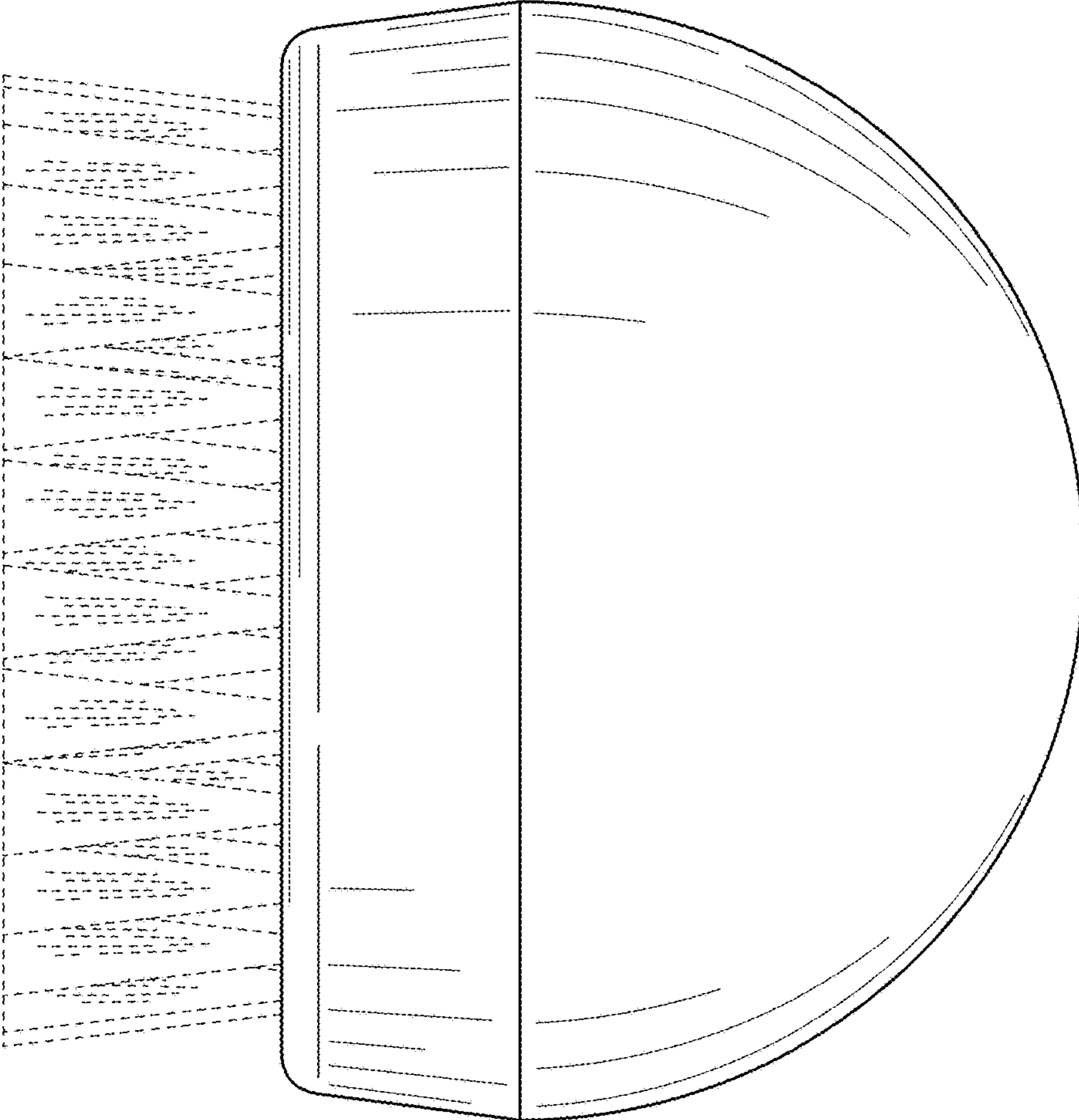


FIG. 3

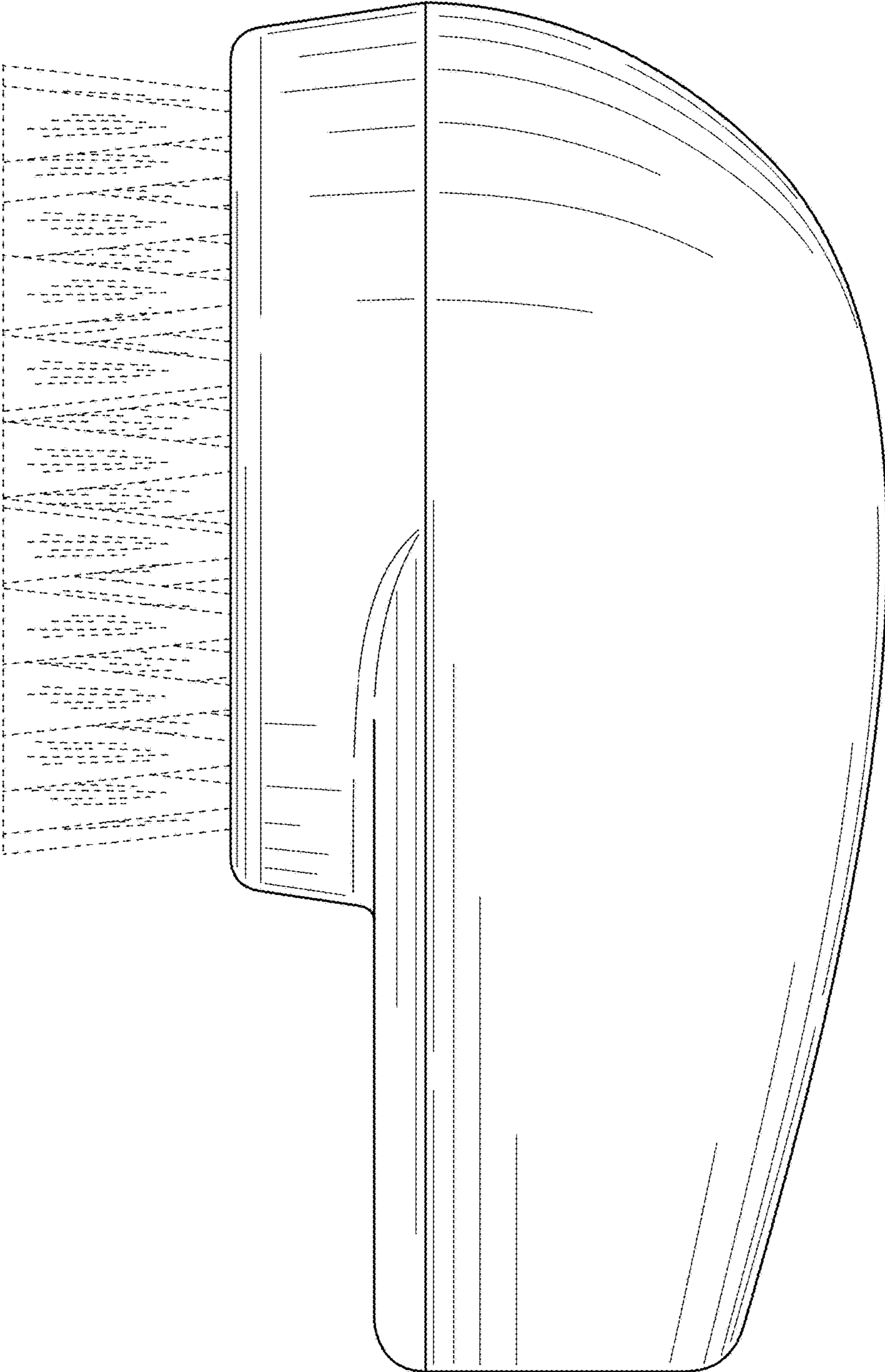


FIG. 4

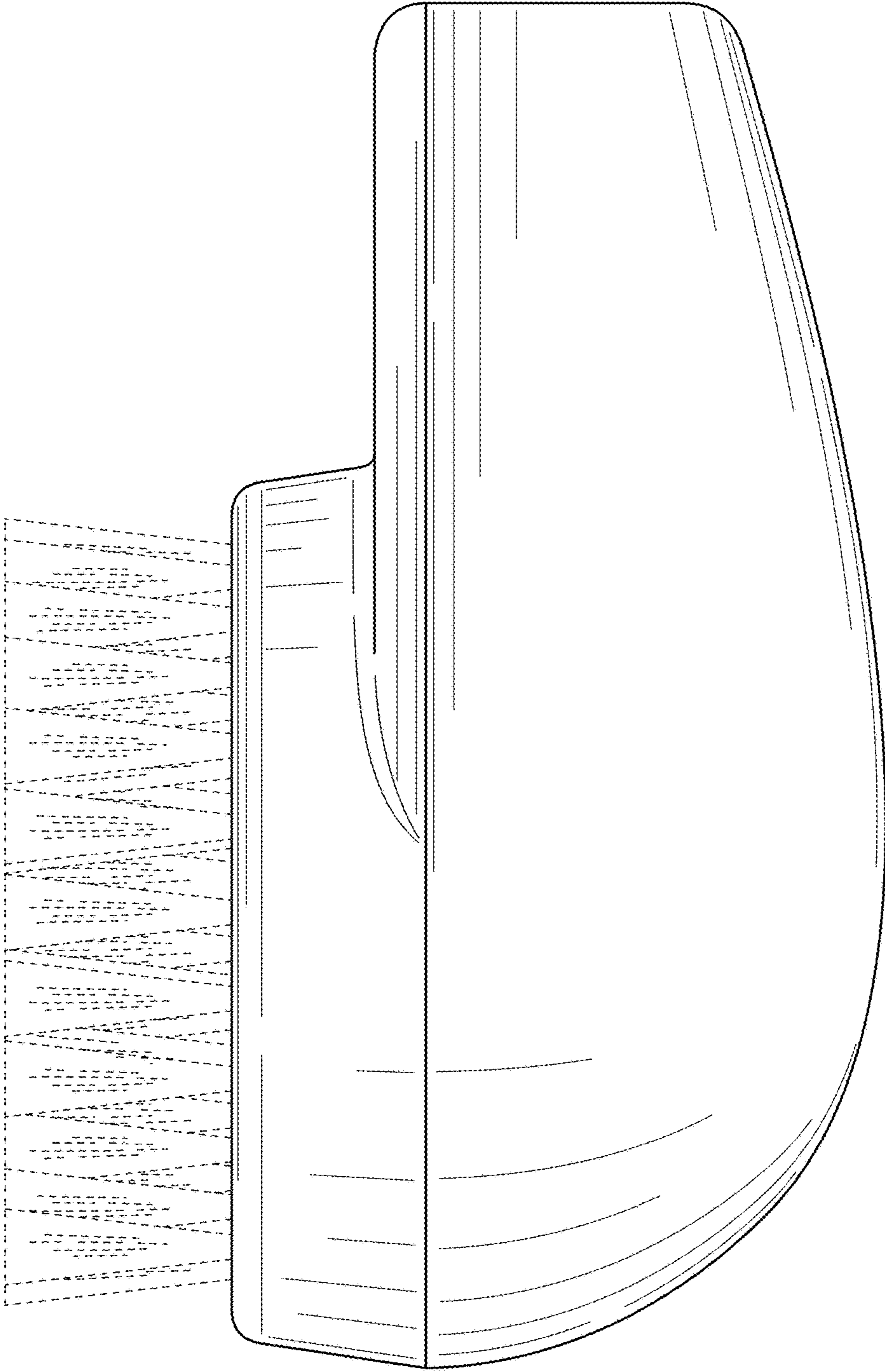


FIG. 5

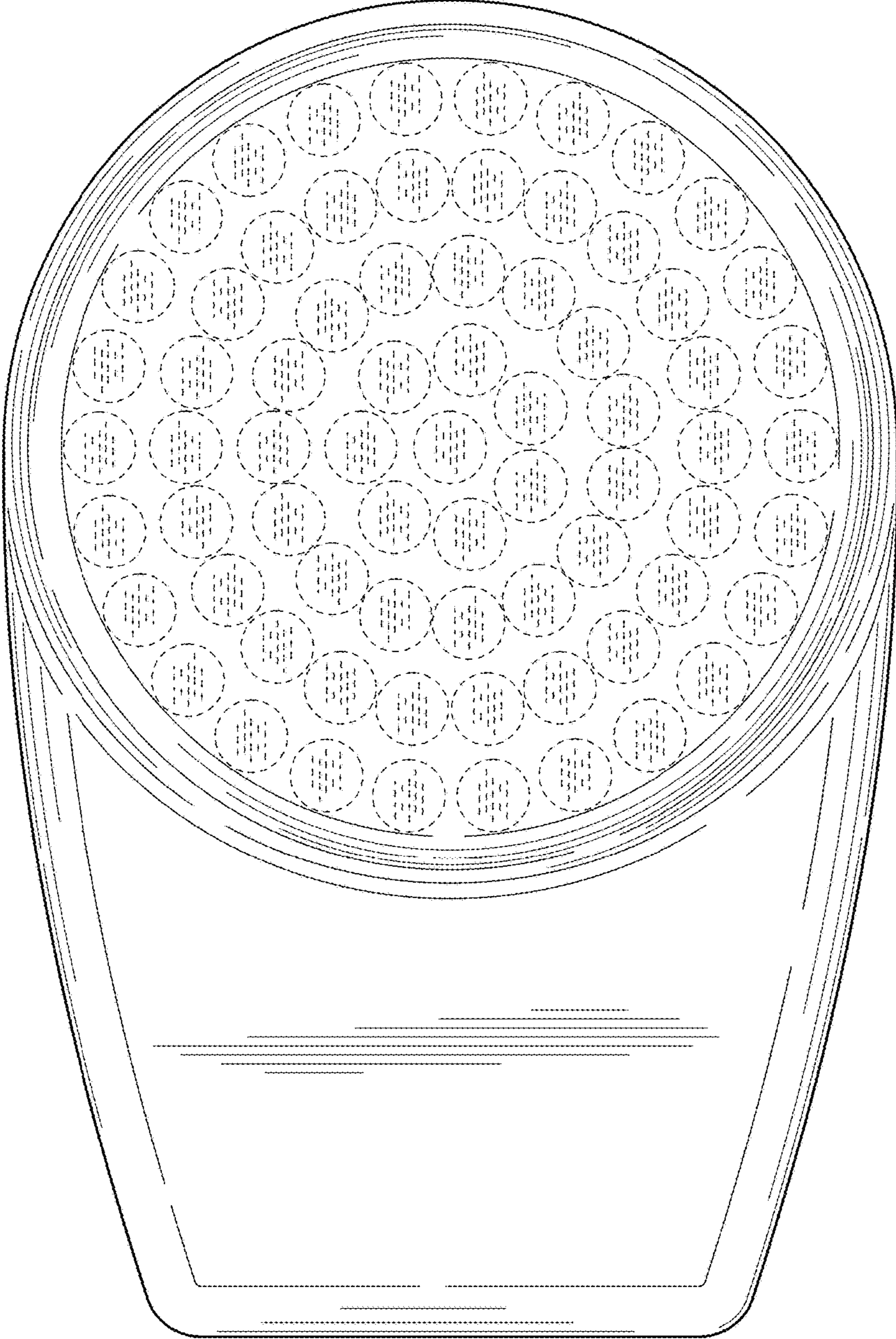


FIG. 6



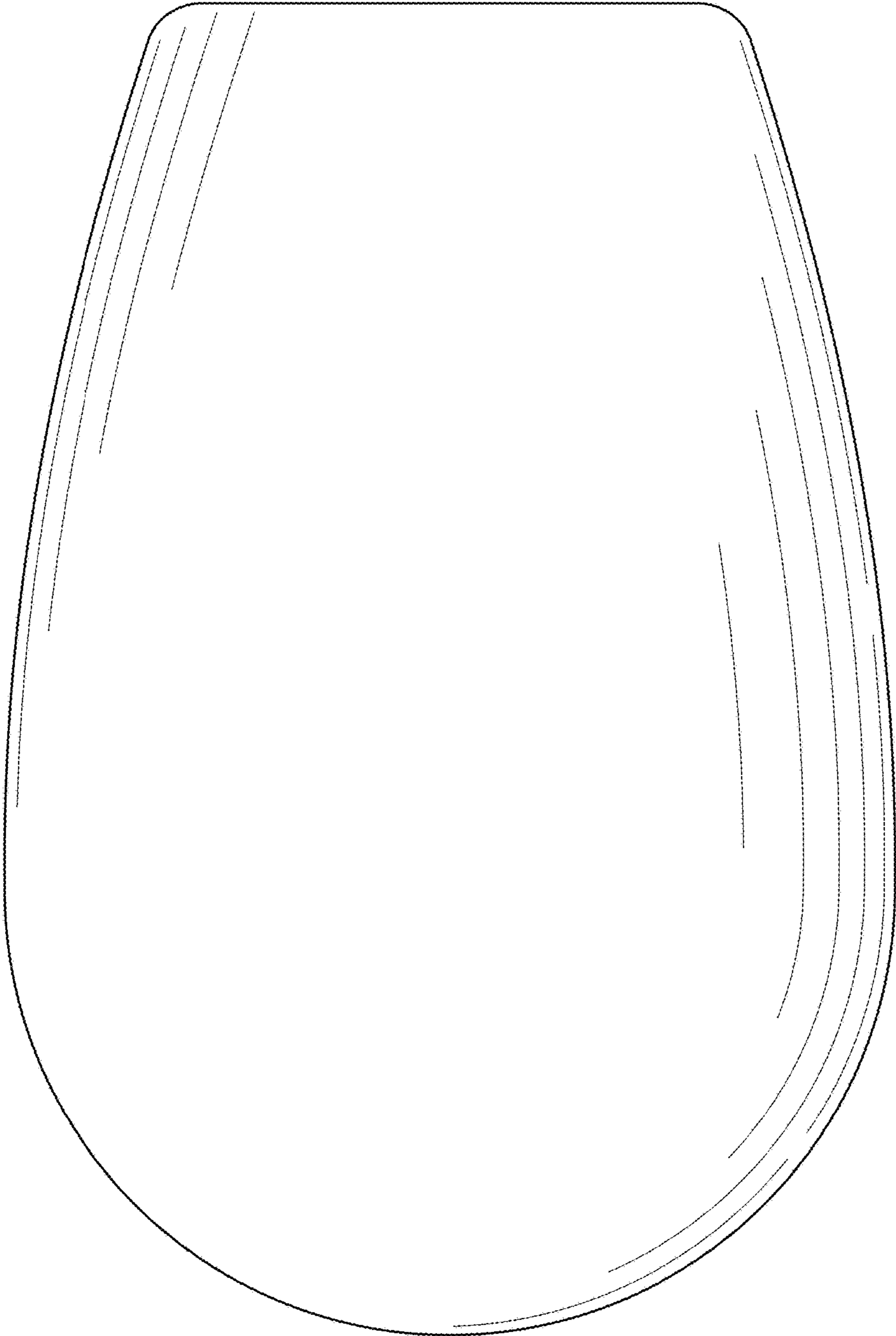


FIG. 7

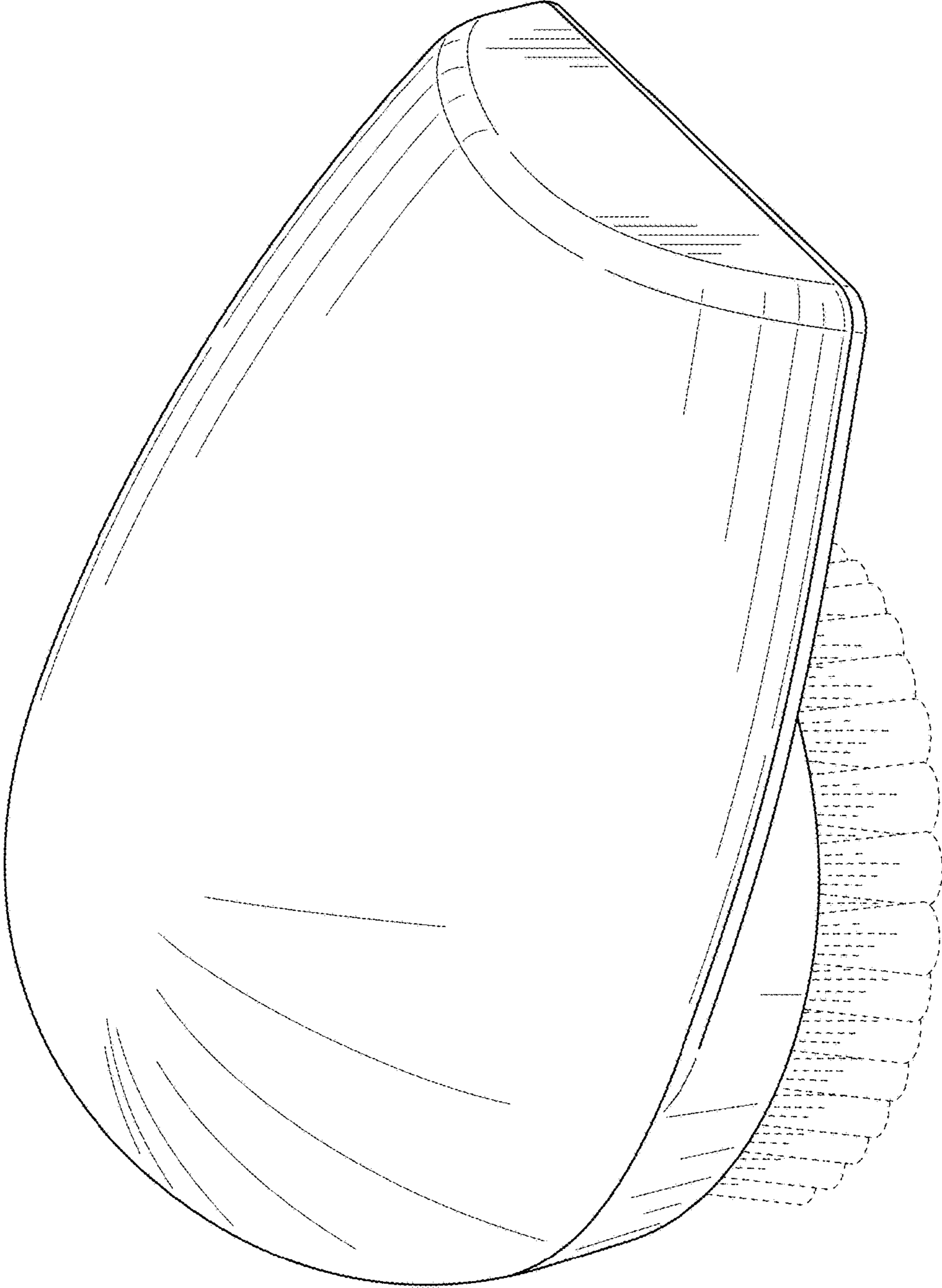


FIG. 8