



US00D829001S

(12) **United States Design Patent**  
**Kubal**

(10) **Patent No.:** **US D829,001 S**

(45) **Date of Patent:** **\*\* Sep. 25, 2018**

- (54) **SUNGLASS STORAGE CASE**
- (71) Applicant: **Ram Ramakant Kubal**, Tampa, FL  
(US)
- (72) Inventor: **Ram Ramakant Kubal**, Tampa, FL  
(US)
- (\*\*) Term: **15 Years**
- (21) Appl. No.: **29/566,854**
- (22) Filed: **Jun. 3, 2016**

- D316,932 S \* 5/1991 Escher, Jr. .... D3/265
- D349,811 S \* 8/1994 Gibb ..... D3/266
- D382,708 S \* 8/1997 Canning ..... D3/263
- D453,993 S \* 3/2002 Diltoer ..... D3/263
- 6,398,017 B1 \* 6/2002 Cafiero ..... A45C 7/0022  
206/6
- D472,377 S \* 4/2003 Tabacchi ..... A45C 11/04  
D3/263
- D544,712 S \* 6/2007 Au ..... D3/265
- D547,548 S \* 7/2007 Au ..... D3/265
- D566,389 S \* 4/2008 Conway ..... D3/266
- D709,694 S \* 7/2014 Cafiero ..... D3/266
- D712,656 S \* 9/2014 Levy ..... D3/265
- D714,549 S \* 10/2014 Levy ..... D3/265
- D716,549 S \* 11/2014 Porter ..... A45C 11/04  
D3/266

**Related U.S. Application Data**

- (63) Continuation-in-part of application No. 13/914,565,  
filed on Jun. 10, 2013, now abandoned.
- (51) **LOC (11) Cl.** ..... **03-01**
- (52) **U.S. Cl.**  
USPC ..... **D3/265**
- (58) **Field of Classification Search**  
USPC ..... D3/207, 215, 219, 229, 263–268, 301,  
D3/211; D12/417; D16/330, 339;  
24/3.3, 3.7, 3.8, 563; 206/5, 5.1, 6;  
248/902; 351/112, 155  
CPC ..... A45C 11/04; A47F 7/02; A47F 7/021  
See application file for complete search history.

**References Cited**

**U.S. PATENT DOCUMENTS**

- (56) D27,622 S \* 9/1897 Zoerb ..... D28/82
- D49,217 S \* 6/1916 King ..... D3/265
- 1,513,776 A \* 11/1924 Wells ..... A45C 13/34  
16/335
- D155,480 S \* 10/1949 Castelli ..... D3/265
- 3,825,110 A \* 7/1974 Halbich ..... A45C 11/04  
206/6
- 3,977,516 A \* 8/1976 Tilve ..... A45C 11/04  
206/5
- D280,261 S \* 8/1985 Chuboff ..... D3/265

(Continued)

*Primary Examiner* — T. Chase Nelson

(74) *Attorney, Agent, or Firm* — The Concept Law  
Group, PA; Scott D. Smiley

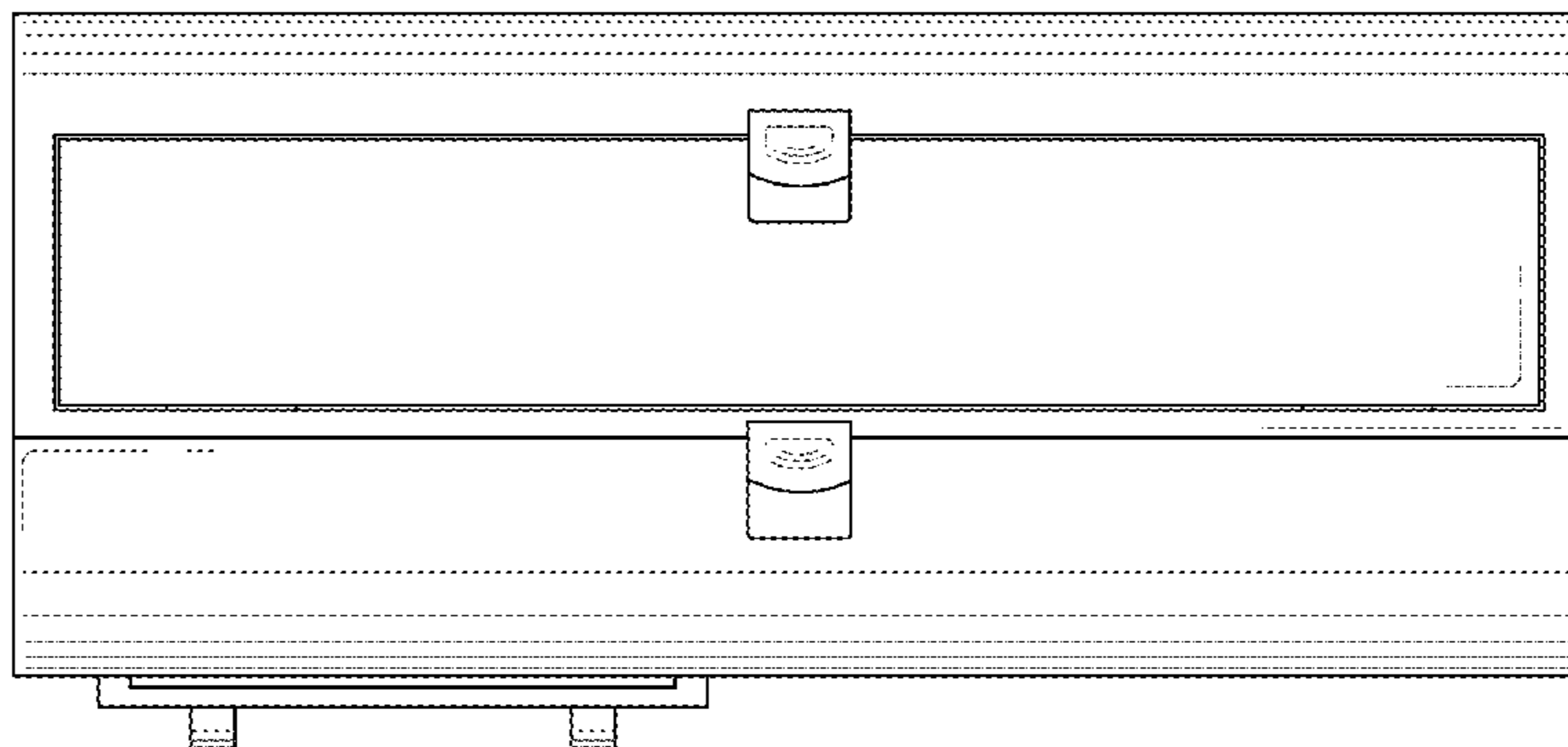
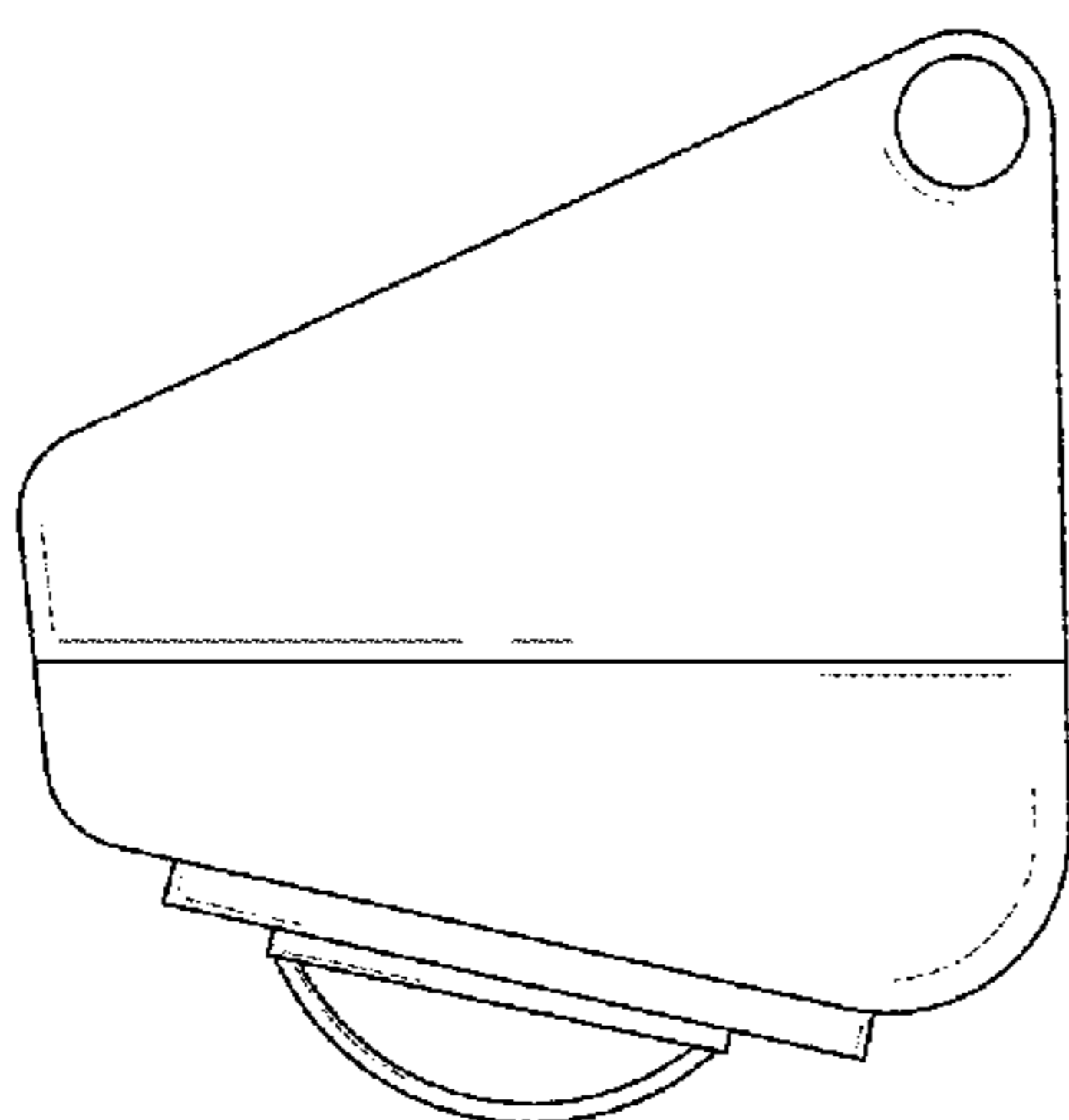
(57) **CLAIM**

The ornamental design for a sunglass storage case, as shown  
and described.

**DESCRIPTION**

FIG. 1 is an elevational right-side view of a sunglass storage case in accordance with the present invention;  
 FIG. 2 is an elevational front view of the sunglass storage case of FIG. 1;  
 FIG. 3 is an elevational left-side view of the sunglass storage case of FIG. 1;  
 FIG. 4 is a top plan view of the sunglass storage case of FIG. 1;  
 FIG. 5 is a bottom plan view of the sunglass storage case of FIG. 1;  
 FIG. 6 is an elevational rear view of the sunglass storage case of FIG. 1; and,  
 FIG. 7 is a perspective view of the sunglass storage case of FIG. 1.

**1 Claim, 7 Drawing Sheets**



(56)

**References Cited**

U.S. PATENT DOCUMENTS

8,881,893 B1 \* 11/2014 Cheng ..... A45C 11/04  
206/6  
2003/0178324 A1 \* 9/2003 Watson ..... A45C 11/04  
206/6  
2016/0166027 A1 \* 6/2016 Godart ..... A45C 11/04  
224/576  
2017/0001769 A1 \* 1/2017 Solland ..... A45C 11/00

\* cited by examiner

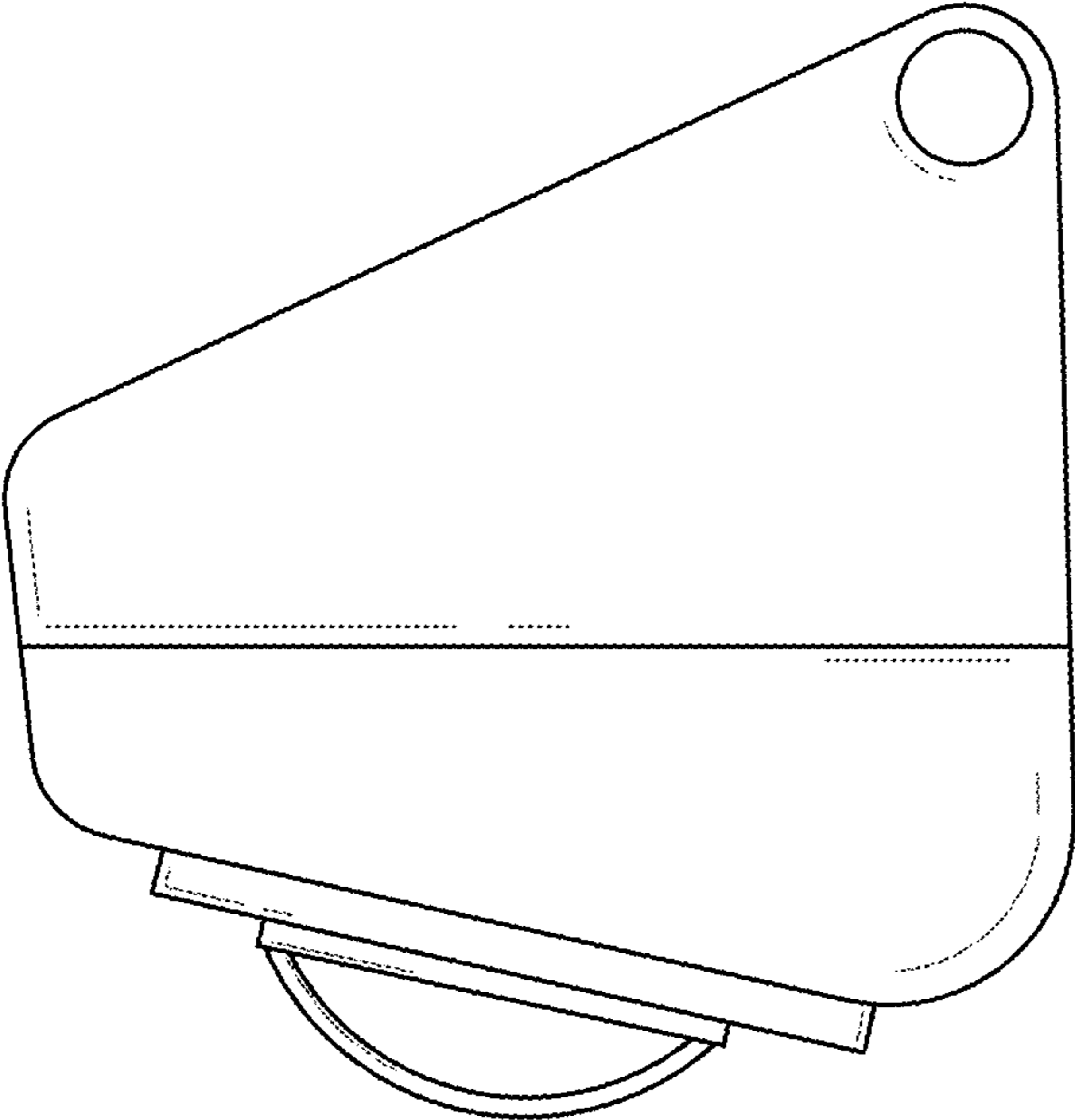


Fig.1

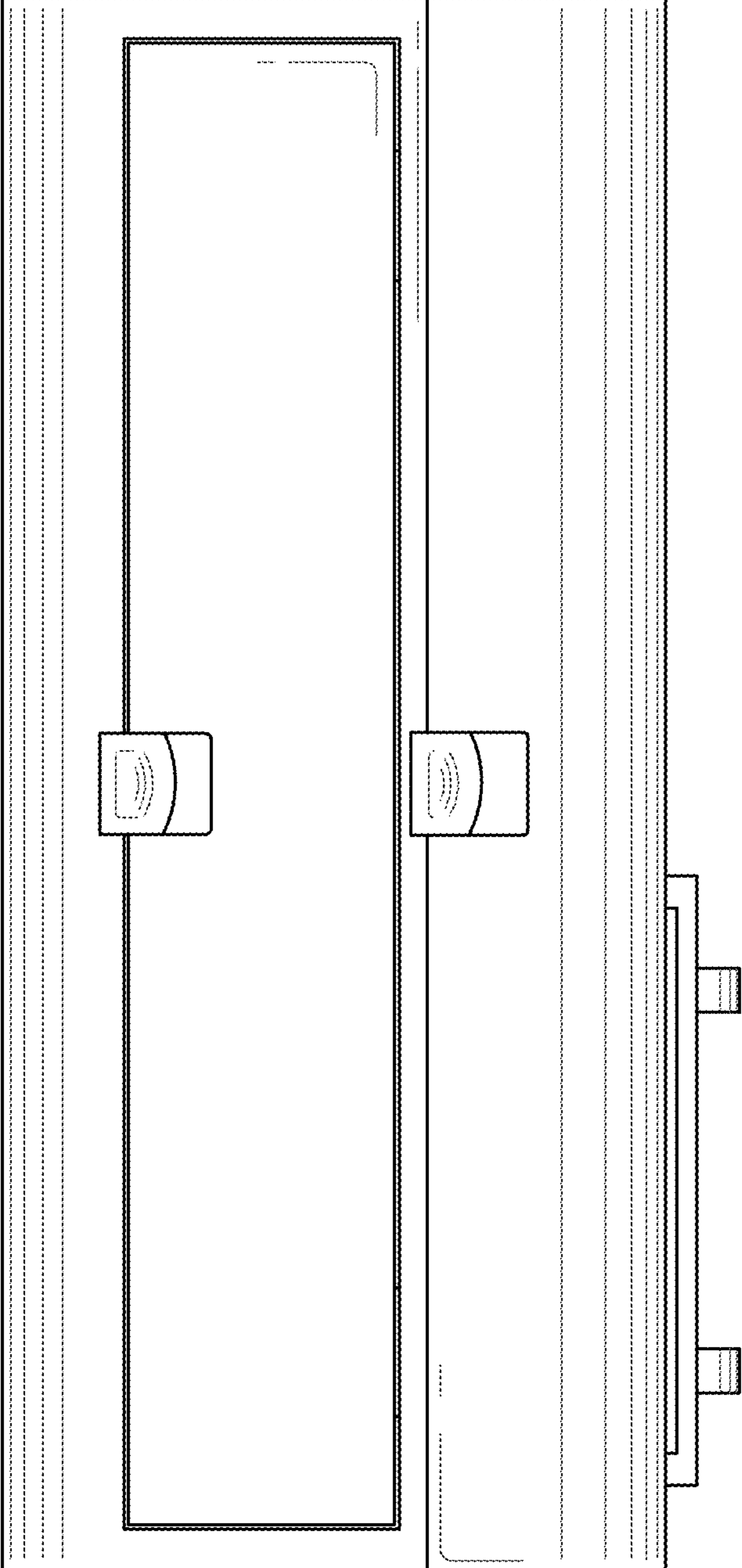


Fig.2

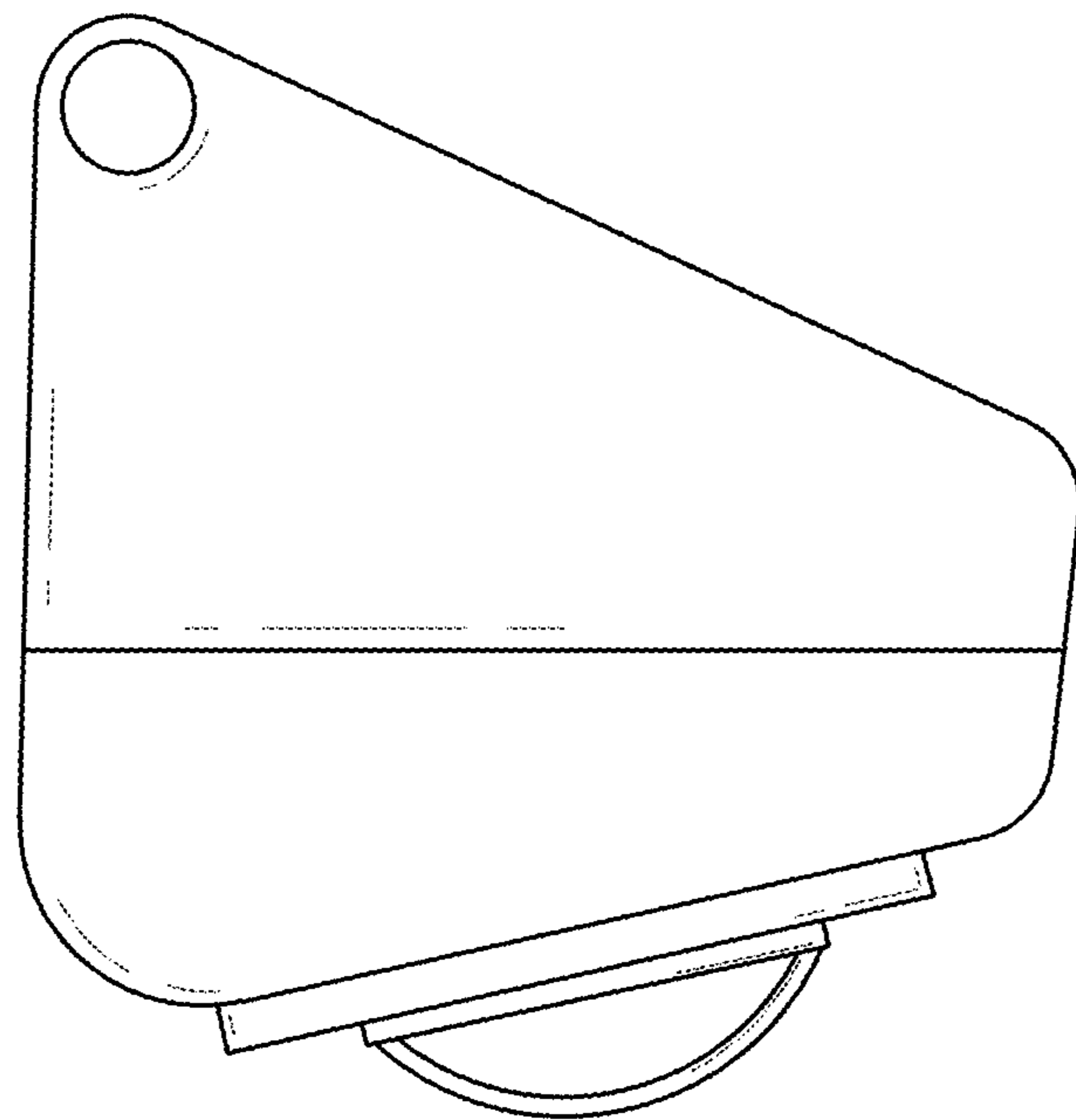


Fig.3

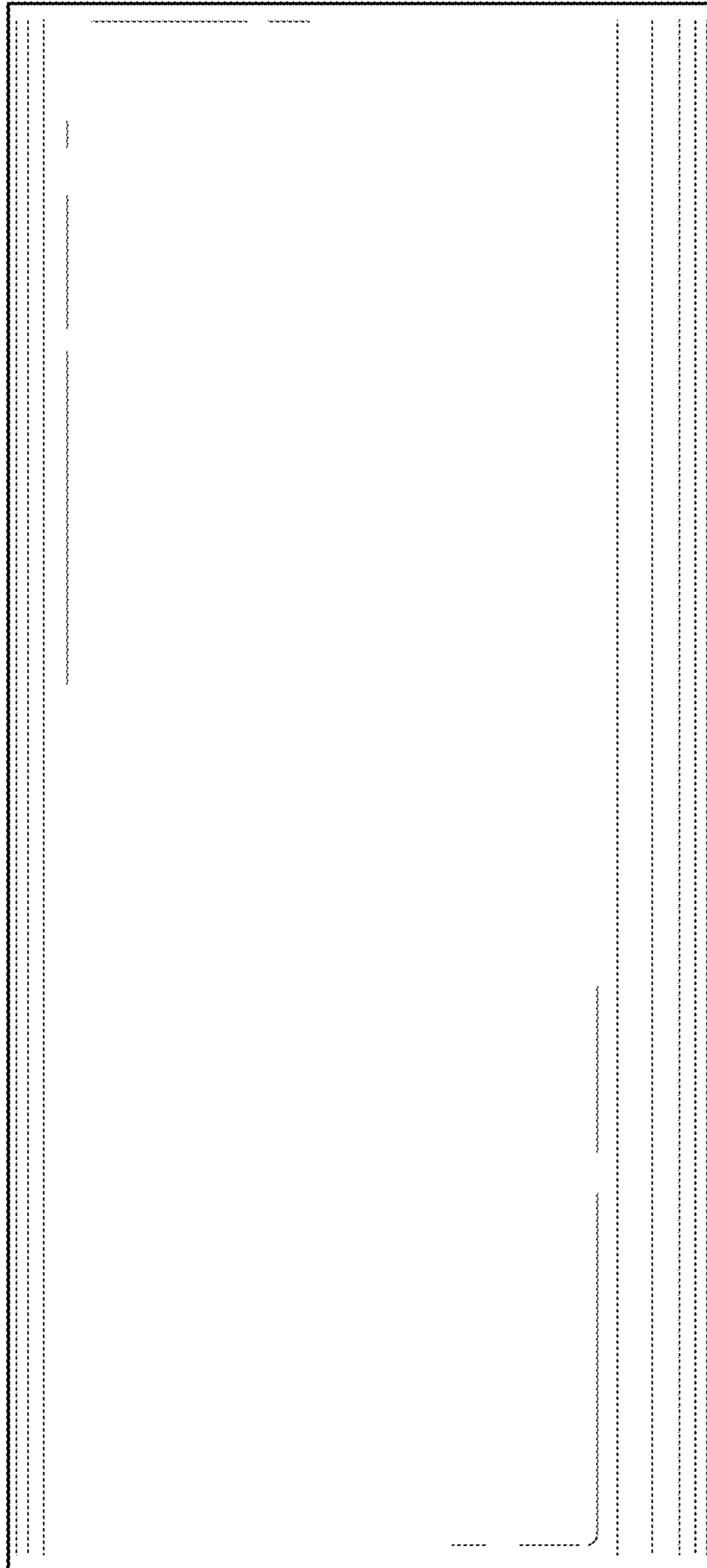


Fig.4

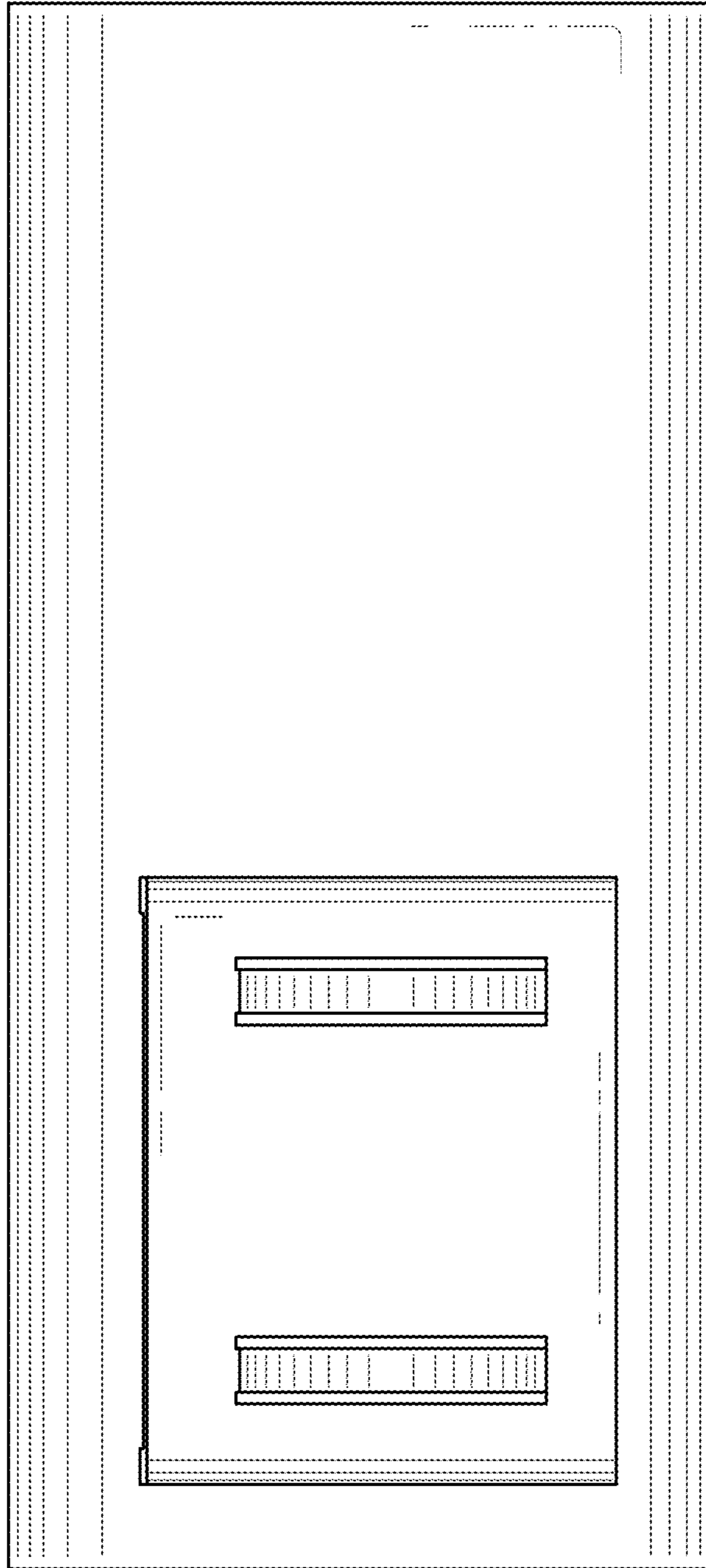


Fig.5

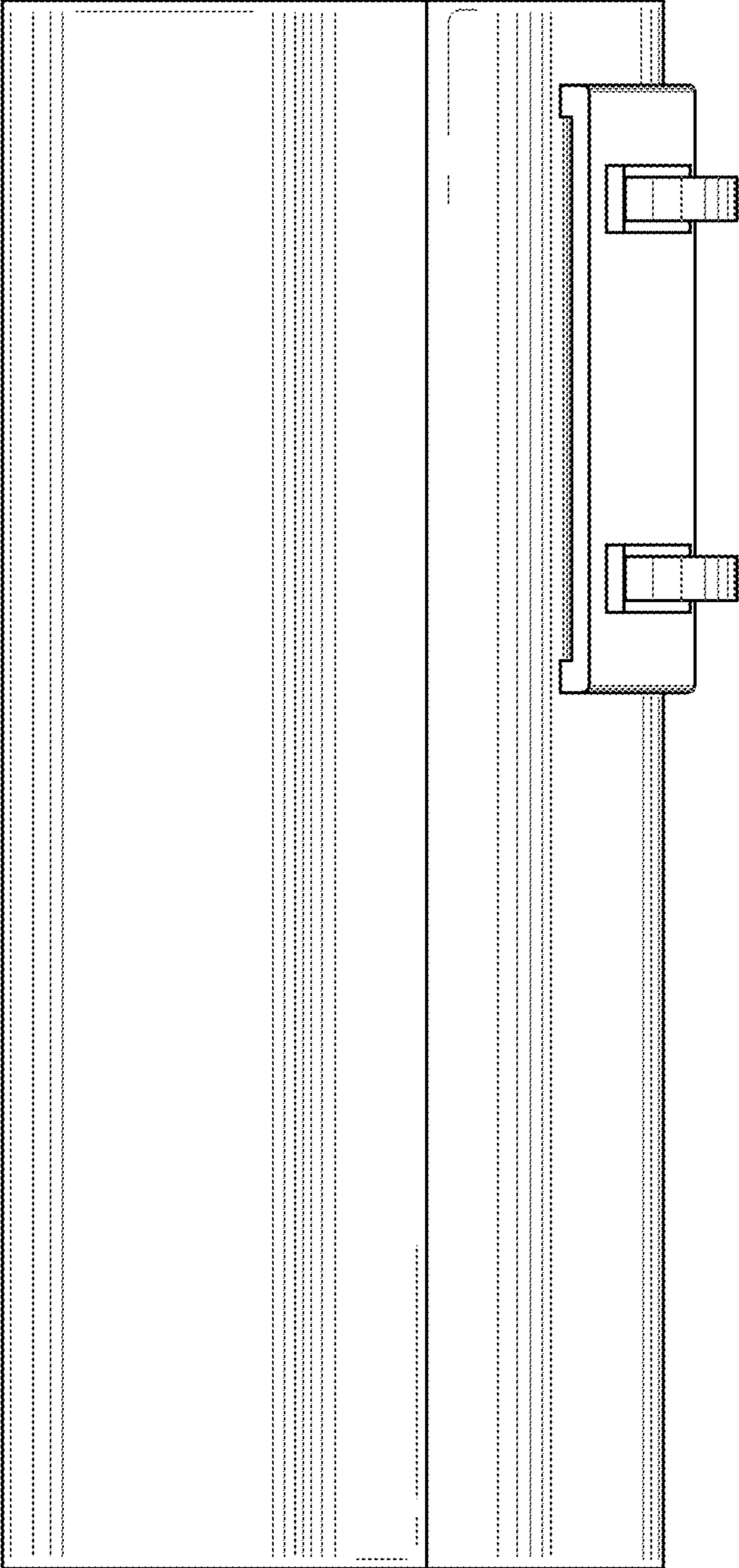


Fig.6



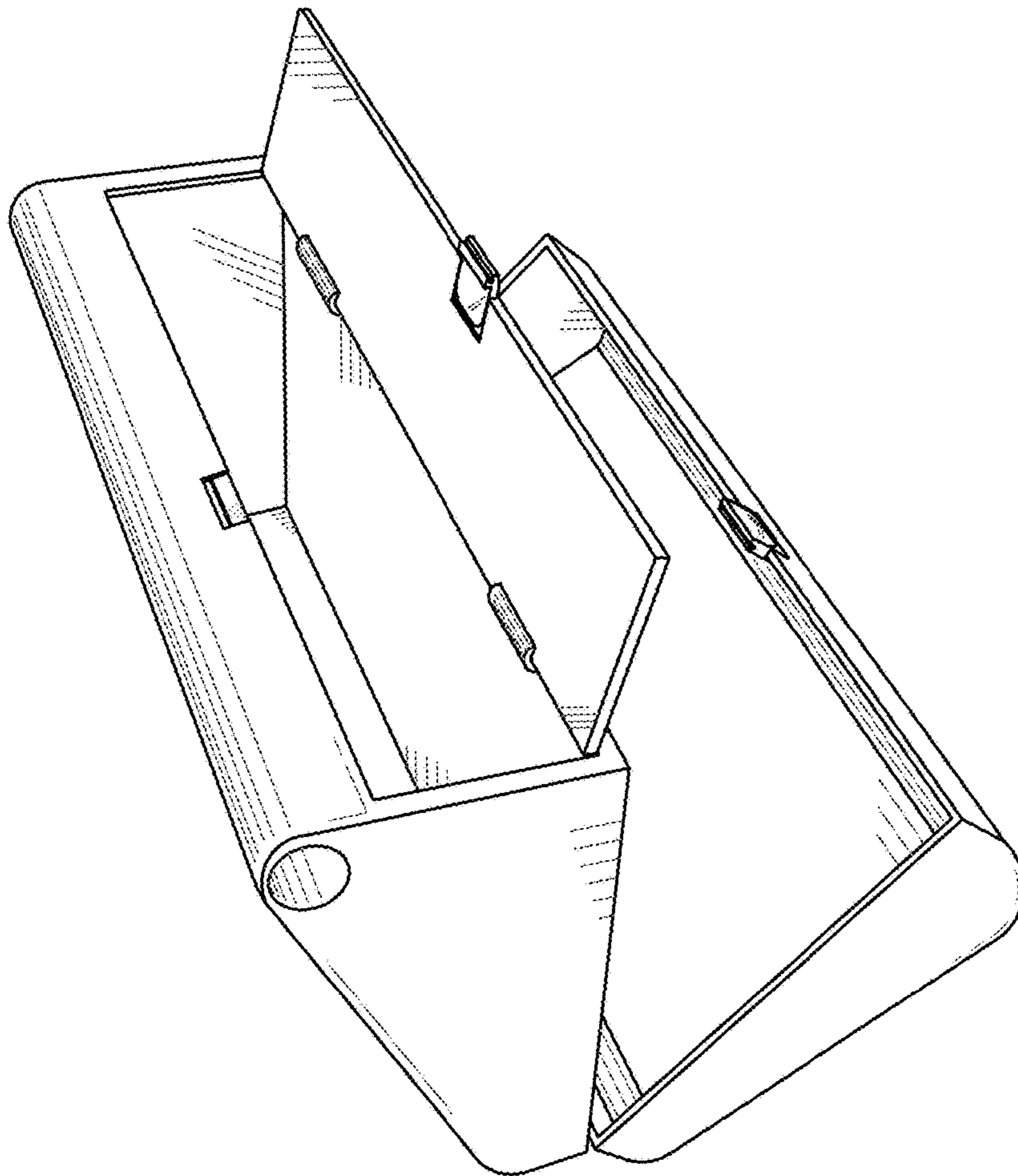


Fig.7