



US00D829000S

(12) **United States Design Patent** (10) **Patent No.:** **US D829,000 S**
DeChant (45) **Date of Patent:** **** Sep. 25, 2018**

(54) **VERTICAL TRIFOLD CELL PHONE WALLET**

(71) Applicant: **Daniel A. DeChant**, Madison, WI (US)

(72) Inventor: **Daniel A. DeChant**, Madison, WI (US)

(**) Term: **15 Years**

(21) Appl. No.: **29/606,726**

(22) Filed: **Jun. 7, 2017**

Related U.S. Application Data

(63) Continuation of application No. 29/558,858, filed on Mar. 22, 2016, now Pat. No. Des. 790,853, which is (Continued)

(51) **LOC (11) Cl.** **03-01**

(52) **U.S. Cl.**
USPC **D3/247**

(58) **Field of Classification Search**
USPC D3/247, 249–253
(Continued)

(56) **References Cited**

U.S. PATENT DOCUMENTS

D13,040 S 7/1882 Brueck
658,394 A 9/1900 Peters
(Continued)

FOREIGN PATENT DOCUMENTS

CA 134785 10/2010
DE 197428065 U 11/1974
(Continued)

OTHER PUBLICATIONS

Dechant, Co-pending U.S. Appl. No. 29/513,712, filed Jan. 5, 2015.

Primary Examiner — Holly H Baynham

(74) *Attorney, Agent, or Firm* — Michael Best & Friedrich LLP

(57) **CLAIM**

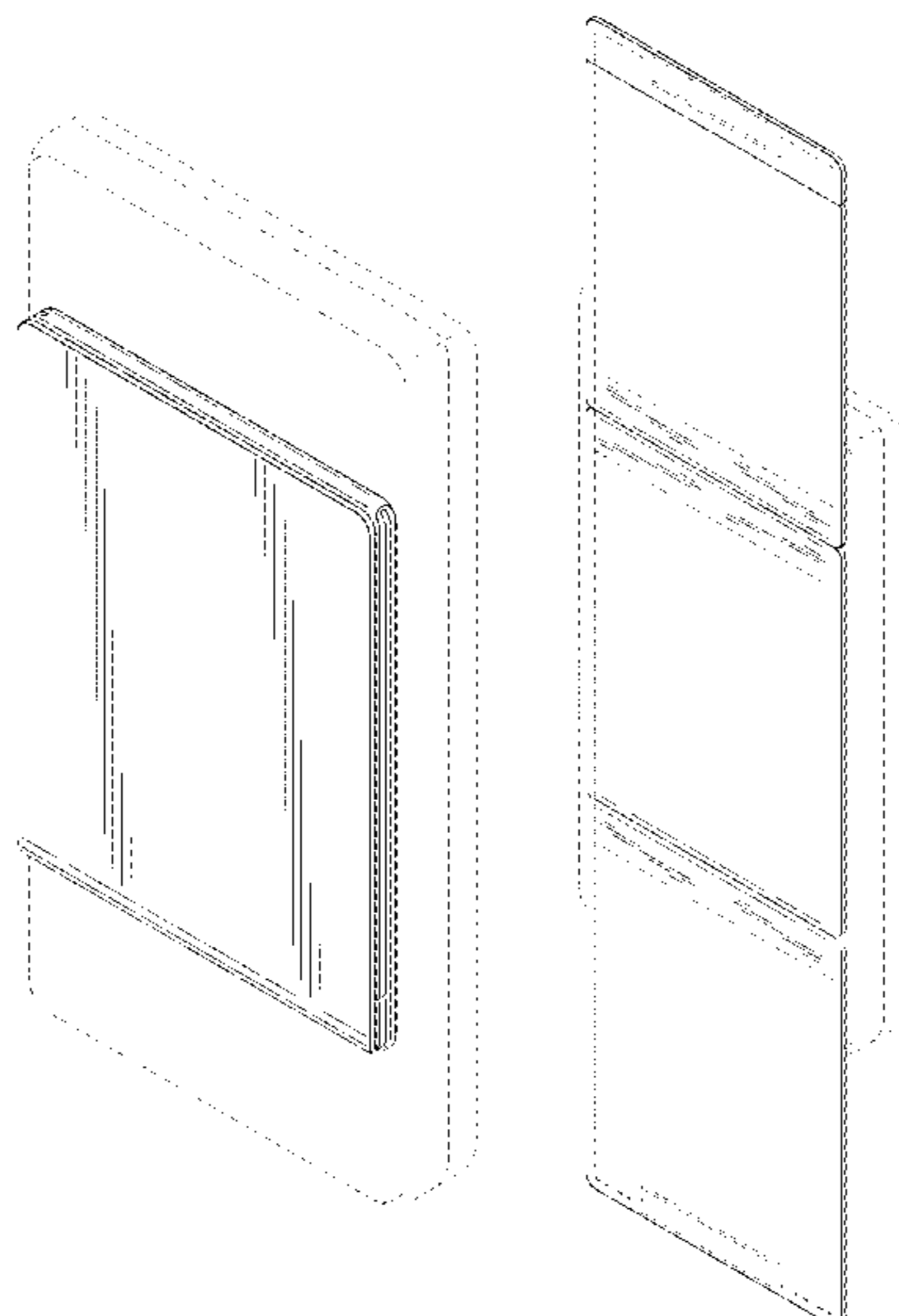
The ornamental design for a vertical trifold cell phone wallet, as shown and described.

DESCRIPTION

FIG. 1 is a perspective view of a vertical trifold cell phone wallet according to an embodiment showing my new design; FIG. 2 is a front view thereof; FIG. 3 is a rear view thereof; FIG. 4 is a left side view thereof; FIG. 5 is a right side view thereof; FIG. 6 is a top view thereof; FIG. 7 is a bottom view thereof; FIG. 8 is a perspective view of the vertical trifold cell phone wallet in an open condition; FIG. 9 is a front view thereof; FIG. 10 is a rear view thereof; FIG. 11 is a left side view thereof; FIG. 12 is a right side view thereof; FIG. 13 is a top view thereof; FIG. 14 is a bottom view thereof; FIG. 15 is a perspective view of the vertical trifold cell phone wallet in a stand configuration; FIG. 16 is a front view thereof; FIG. 17 is a rear view thereof; FIG. 18 is a left side view thereof; FIG. 19 is a right side view thereof; FIG. 20 is a top view thereof; and, FIG. 21 is a bottom view thereof.

The present application is directed to the design illustrated in the drawings. The broken lines showing portions of the cell phone wallet are for purposes of illustrating environment and forms no part of the claimed design.

1 Claim, 15 Drawing Sheets



Related U.S. Application Data

a continuation of application No. 29/519,837, filed on Mar. 9, 2015, now Pat. No. Des. 755,513, which is a continuation of application No. 29/449,467, filed on Mar. 15, 2013, now Pat. No. Des. 727,619.

- (58) **Field of Classification Search**
CPC A45C 1/06; A45C 3/08
See application file for complete search history.

- (56) **References Cited**

U.S. PATENT DOCUMENTS

833,834	A	10/1906	Hille	
940,853	A	11/1909	Cardwell	
1,035,945	A	8/1912	Cardwell	
1,035,946	A	8/1912	Cardwell	
1,073,768	A	9/1913	Loveland	
D45,677	S	4/1914	Shick	
1,269,247	A	6/1918	Aslin	
1,582,492	A	4/1926	Tantlinger	
D101,819	S	11/1936	Miller	
D112,415	S	11/1938	Zumft	
D134,884	S	1/1943	Engelstein	
D178,800	S	9/1956	McKinnon	
D185,056	S	5/1959	Arkin	
3,162,227	A	12/1964	Bakken	
1,671,297	A	2/1968	Levi	
3,370,777	A	2/1968	Levi	
D224,631	S *	8/1972	Morris	D3/216
D255,509	S	6/1980	Nathan et al.	
4,388,734	A	6/1983	Cowden	
D279,423	S	7/1985	Zucker	
4,705,086	A	11/1987	O'Neill	
D303,042	S	8/1989	Mackey	
D308,887	S	6/1990	Wyant	
4,934,573	A *	6/1990	Jaeger	A45F 3/08 224/153
4,942,913	A	7/1990	Musso	
D311,815	S	11/1990	Balsley	
D314,213	S	1/1991	Bishop	
D334,588	S	4/1993	Okola	
D340,355	S	10/1993	Little	
D342,829	S	1/1994	Mitchell	
D362,114	S *	9/1995	Simhon	D19/26
D367,956	S	3/1996	Peters	
D374,037	S *	9/1996	Wyant	D19/26
D410,774	S	6/1999	Inbert	
D434,340	S	12/2000	Kojoori	
D434,899	S	12/2000	Kojoori	
D435,339	S	12/2000	Cleveland	
6,409,429	B1 *	6/2002	Belloni	A45F 3/10 224/907
6,427,836	B1	8/2002	Bolanos	
D471,008	S *	3/2003	Dubone	D3/247
D471,704	S	3/2003	Moore	
D475,526	S *	6/2003	Gillespie	D3/247
D510,596	S	10/2005	Ong	
D527,899	S	9/2006	Morehead	

7,204,398	B1	4/2007	Smith, Sr.	
D551,446	S	9/2007	Elnekaveh	
7,496,971	B2	3/2009	Soto	
D594,656	S	6/2009	Wills	
D599,400	S *	9/2009	Lapsker	D19/26
D608,092	S	1/2010	Holzner et al.	
D619,806	S	7/2010	Franks	
7,793,809	B2 *	9/2010	Howell	A45F 3/10 224/261
D624,749	S *	10/2010	Evans	D3/216
D630,011	S *	1/2011	Knight	D3/216
3,047,364	A1	1/2011	Longinotti-Buitoni	
D633,714	S	3/2011	Marshall	
8,556,147	B2 *	10/2013	Howell	A45F 3/04 224/630
8,678,258	B1 *	3/2014	Knight	A45F 3/08 224/628
8,833,379	B1	9/2014	Kaplan	
D727,019	S	4/2015	DeChant	
D727,619	S	4/2015	DeChant	
D728,228	S	5/2015	DeChant	
D728,229	S	5/2015	DeChant	
D728,928	S	5/2015	DeChant	
D730,646	S	6/2015	DeChant	
9,271,560	B2 *	3/2016	Buffinton	A45F 3/08
D754,433	S	4/2016	DeChant	
D754,434	S	4/2016	DeChant	
D755,513	S	5/2016	DeChant	
D756,641	S	5/2016	DeChant	
D756,643	S	5/2016	DeChant	
D764,167	S	8/2016	DeChant	
9,636,875	B2 *	5/2017	Hairston	B29C 70/34
2005/0126667	A1	6/2005	Bell	
2007/0057004	A1	3/2007	Butler et al.	
2007/0232372	A1	10/2007	Plaster	
2007/0262112	A1	11/2007	Butler et al.	
2008/0006355	A1	1/2008	Gomez Micone	
2008/0121322	A1	5/2008	Thomson	
2009/0050686	A1	2/2009	Kon et al.	
2009/0194571	A1	8/2009	Evans	
2011/0030860	A1	2/2011	Allen et al.	
2011/0057034	A1	3/2011	Maxwell	
2011/0277892	A1	11/2011	Black	
2012/0043234	A1	2/2012	Westrup	
2012/0050968	A1	3/2012	Child et al.	
2012/0168483	A1	7/2012	Jambunathan et al.	
2013/0140203	A1	6/2013	Chiang	
2014/0262853	A1	9/2014	DeChant	

FOREIGN PATENT DOCUMENTS

DE	199107205	U1	7/1991
GB	2145622		4/1985
GB	2070518		11/1997
GB	4019846		5/2011
KR	300268261		6/2000
WO	D073447		3/2010
WO	2012087152		6/2012

* cited by examiner

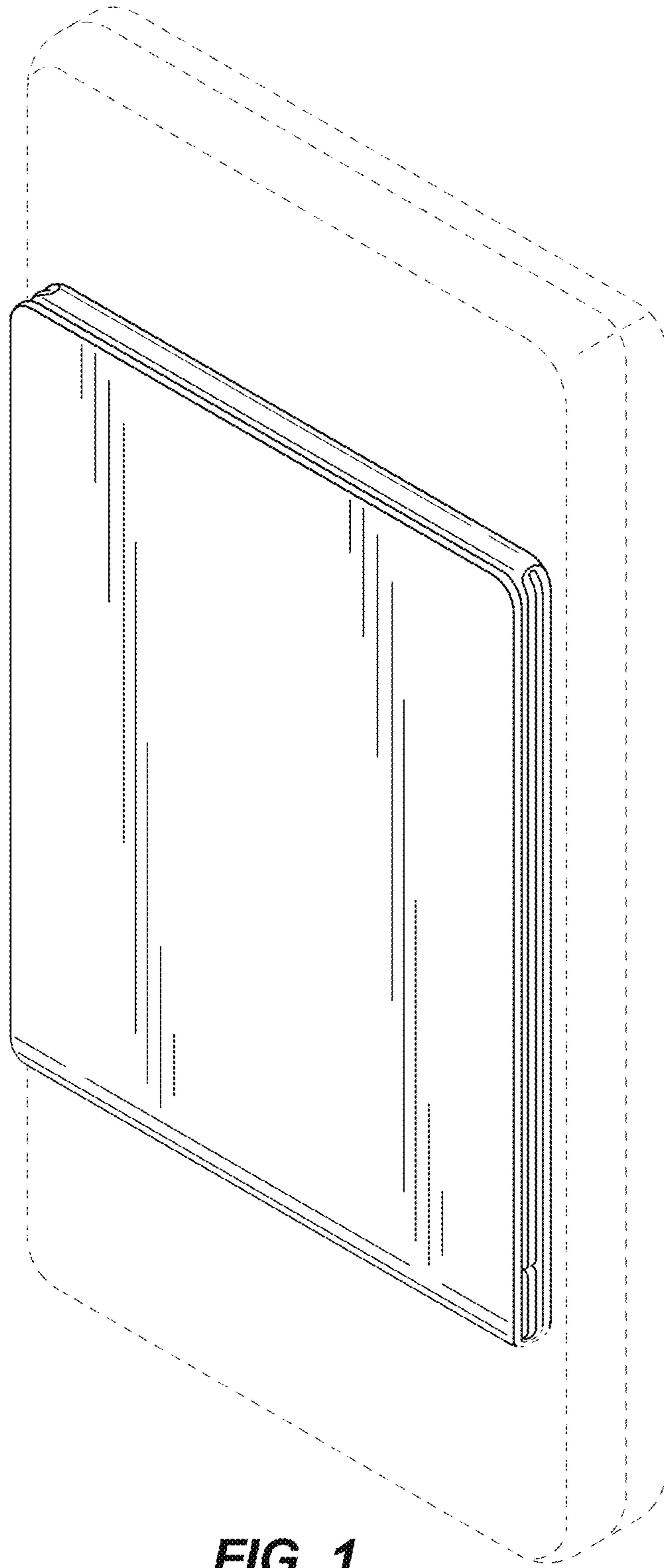


FIG. 1

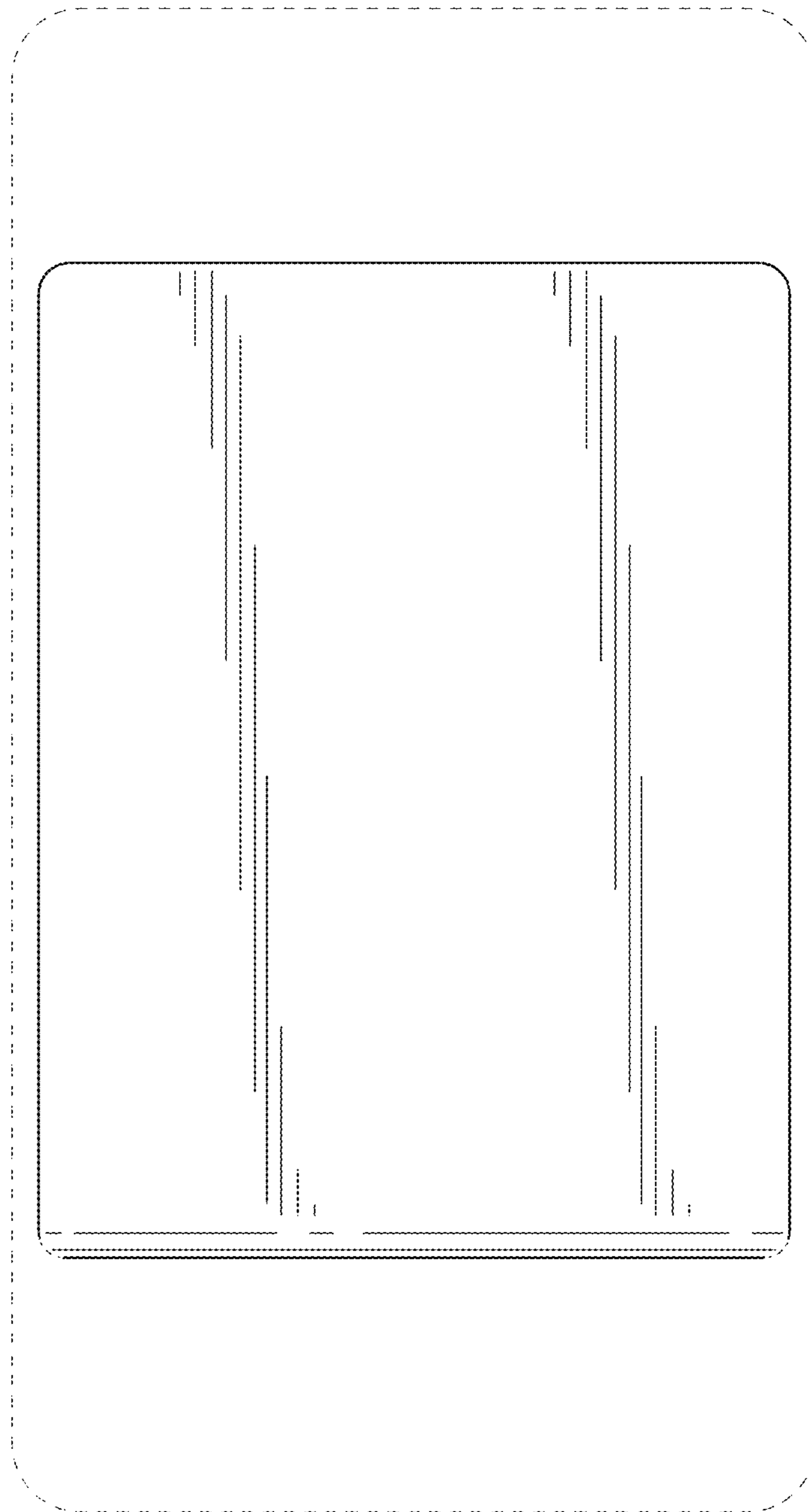


FIG. 2

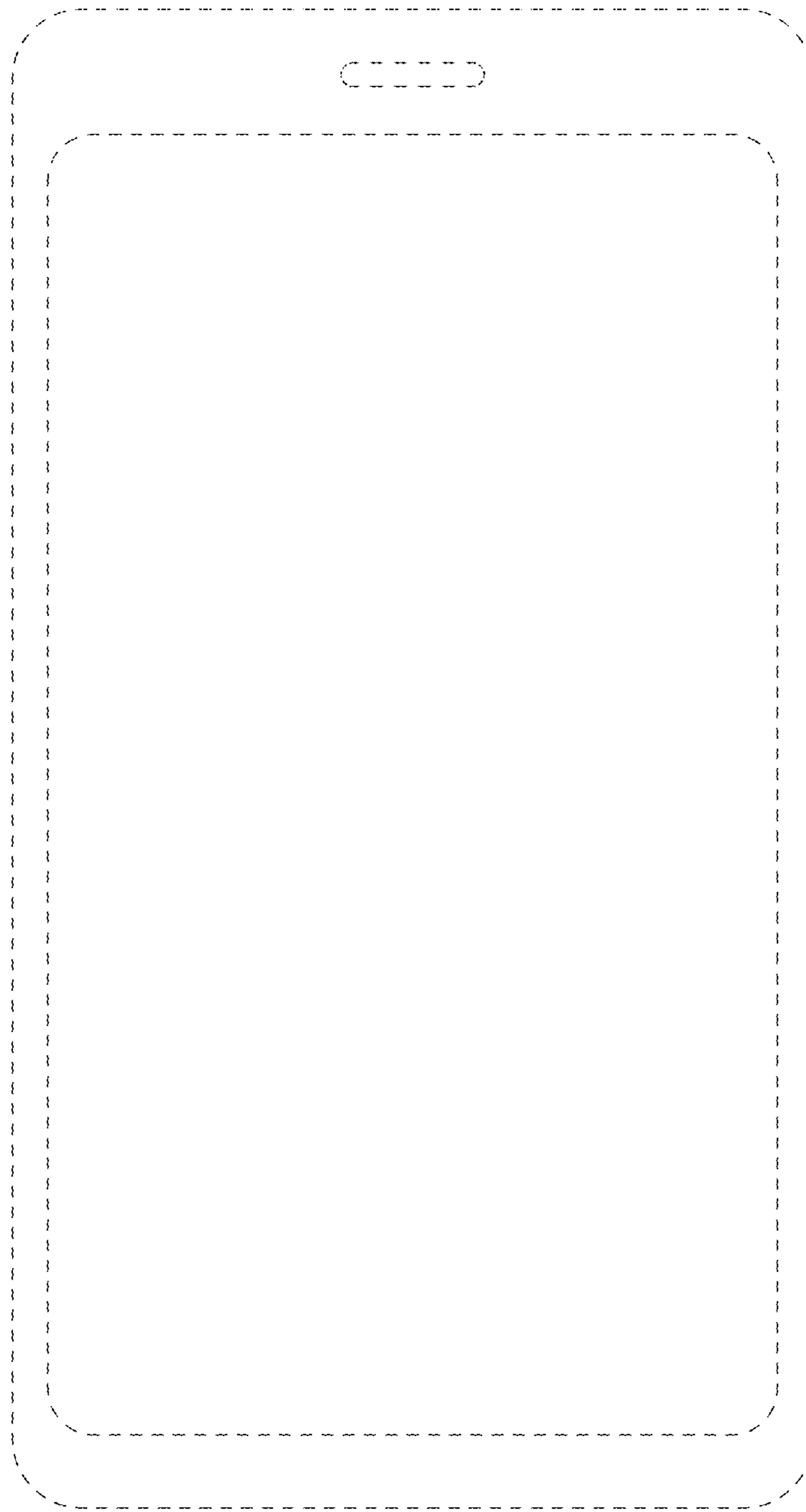


FIG. 3

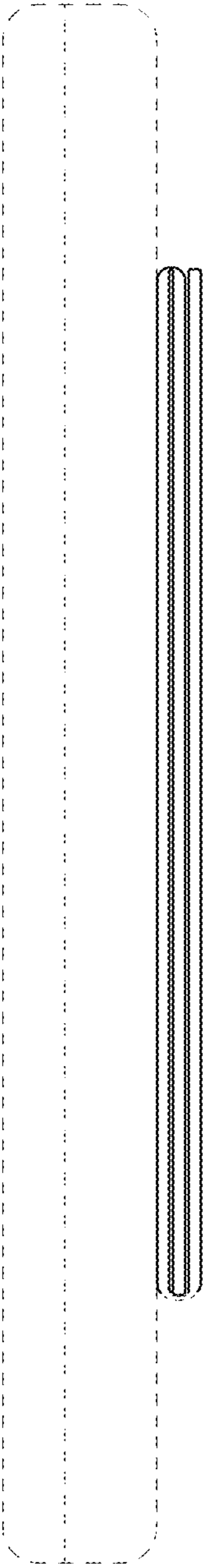


FIG. 4

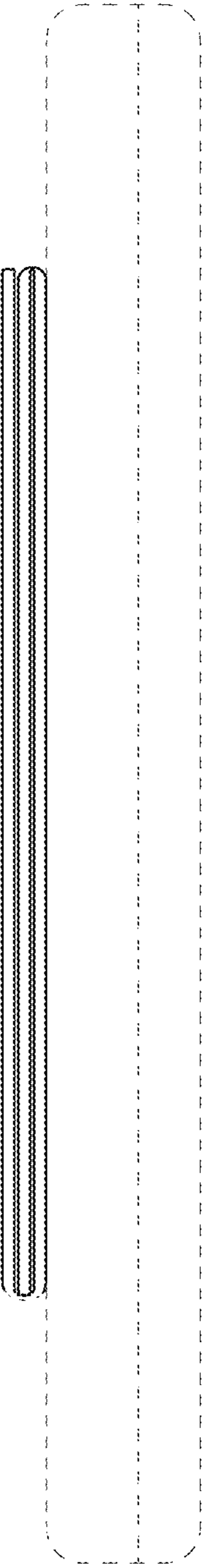


FIG. 5

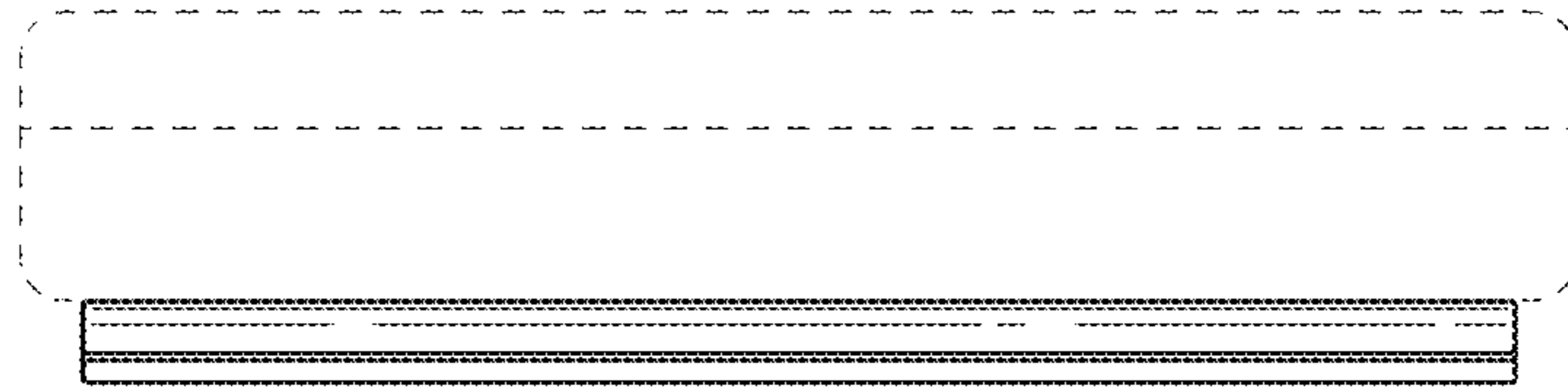


FIG. 6

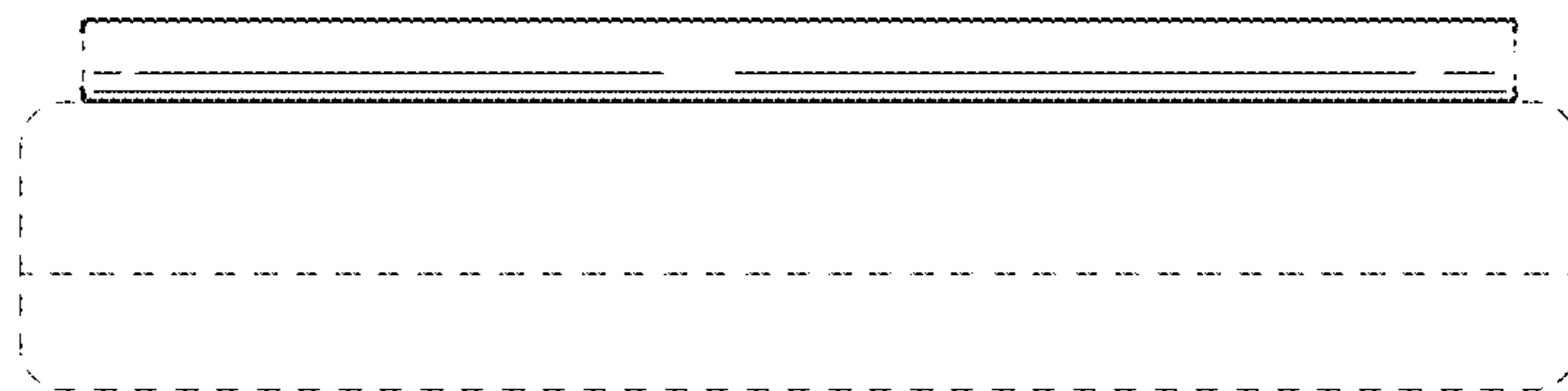


FIG. 7

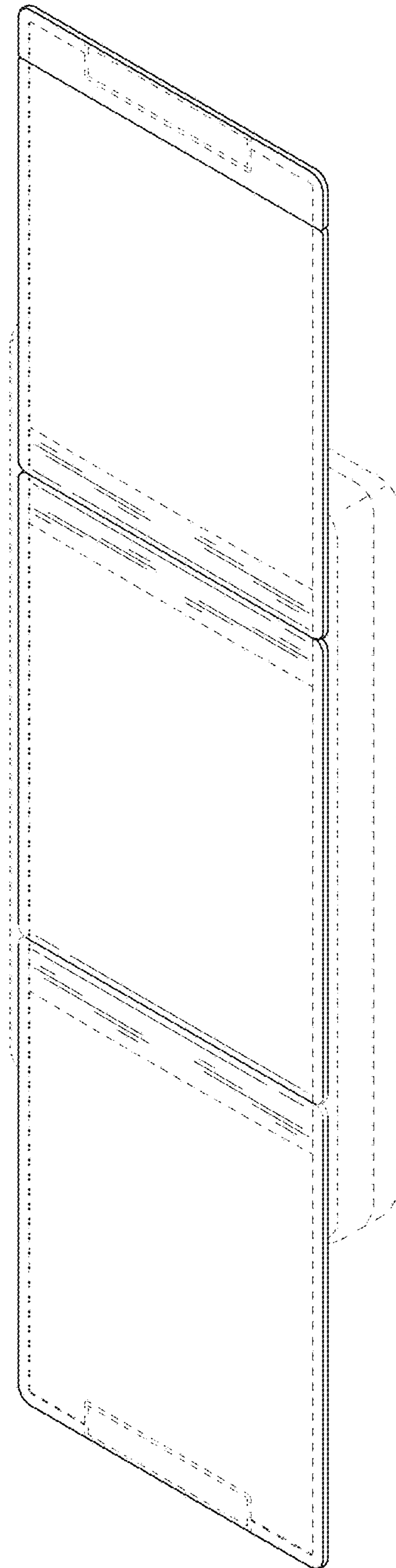


FIG. 8

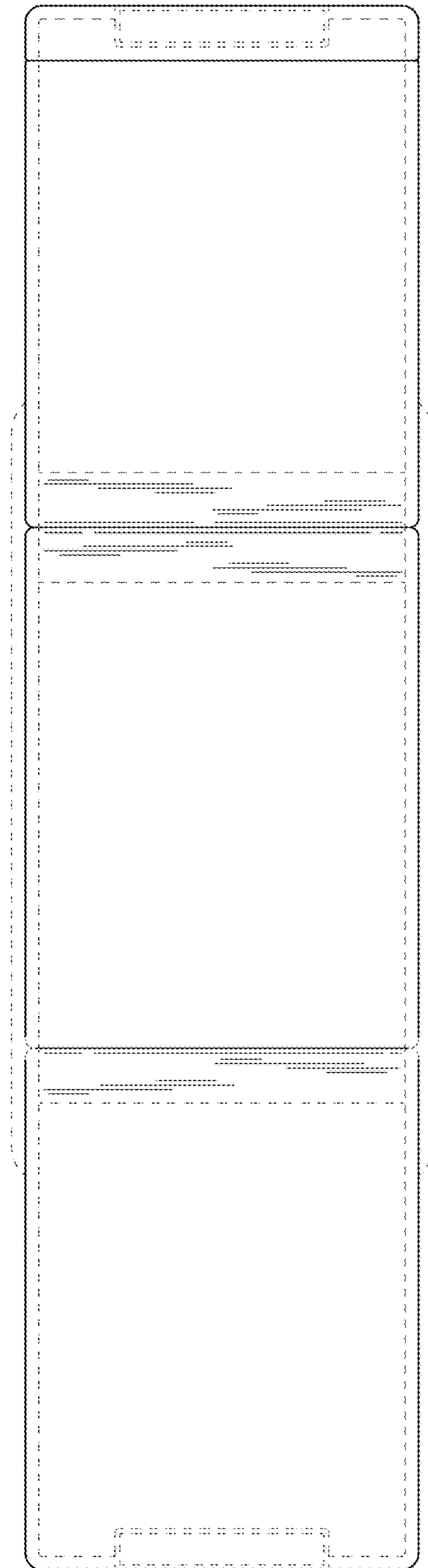


FIG. 9

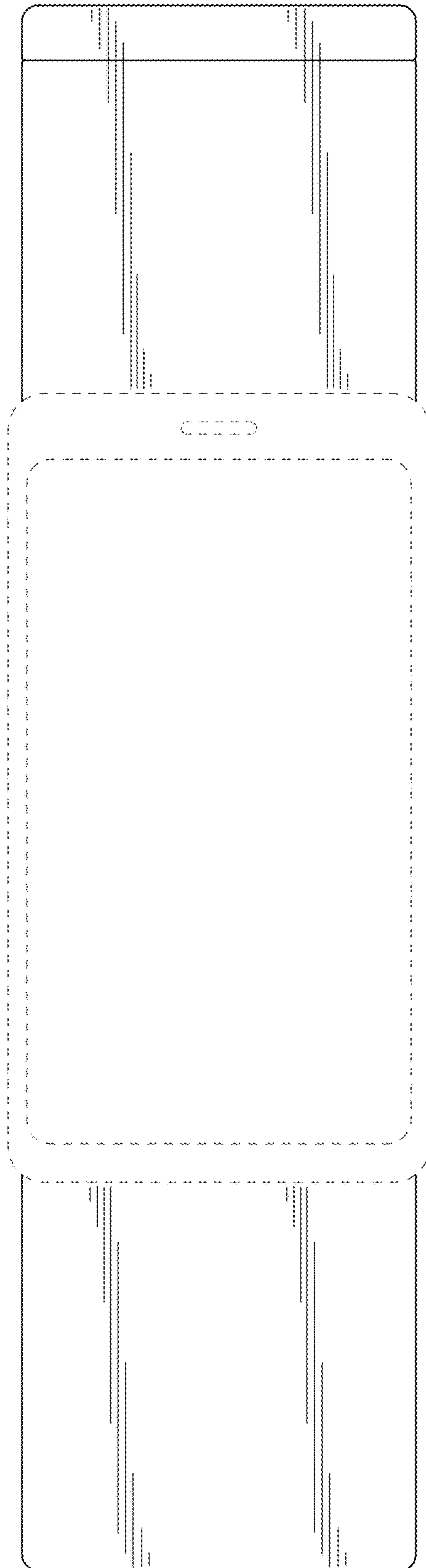


FIG. 10

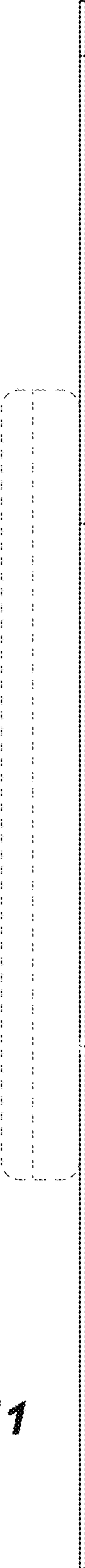


FIG. 11

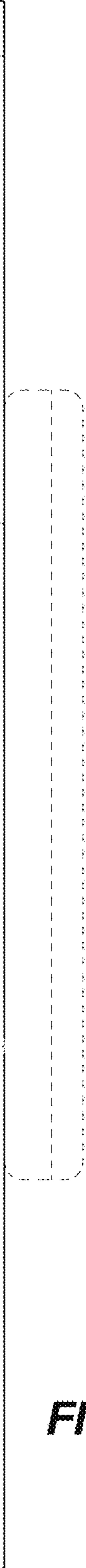


FIG. 12

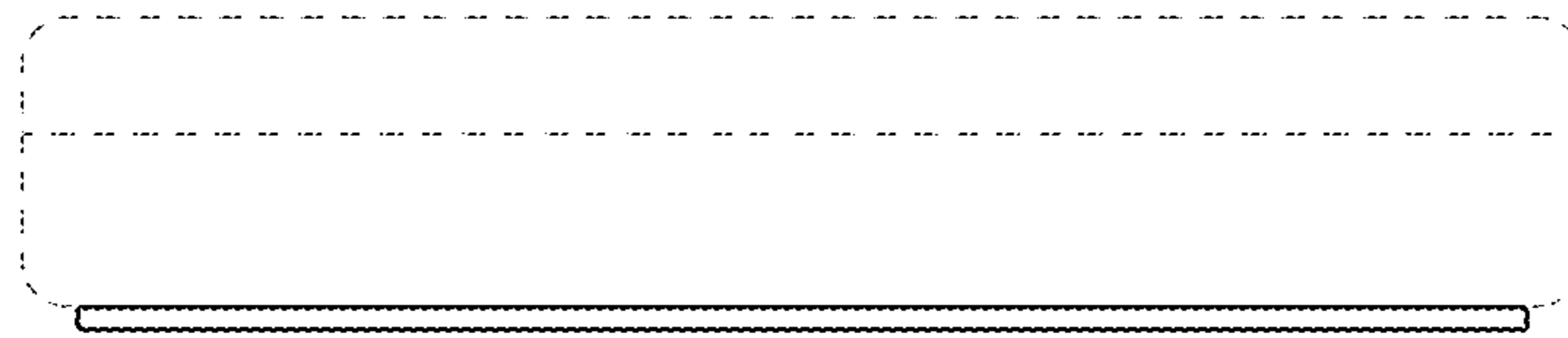


FIG. 13

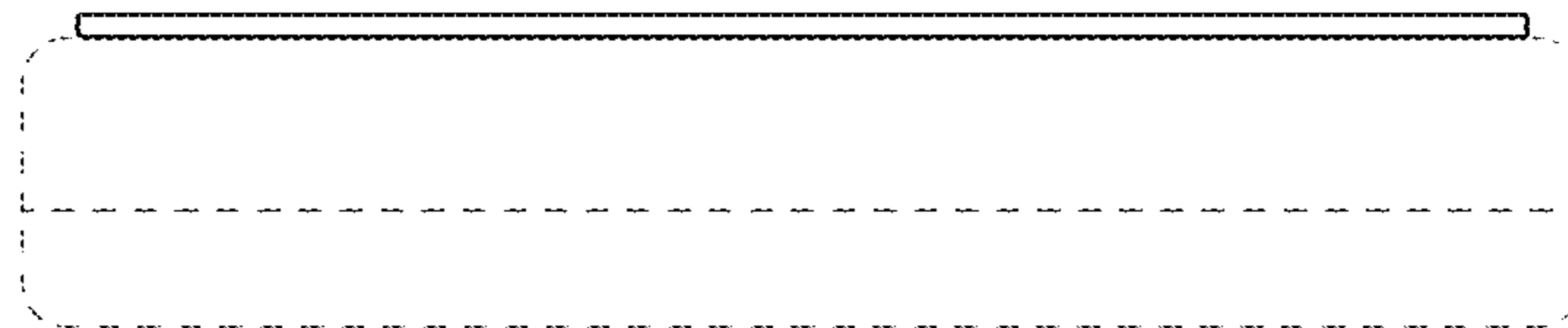


FIG. 14

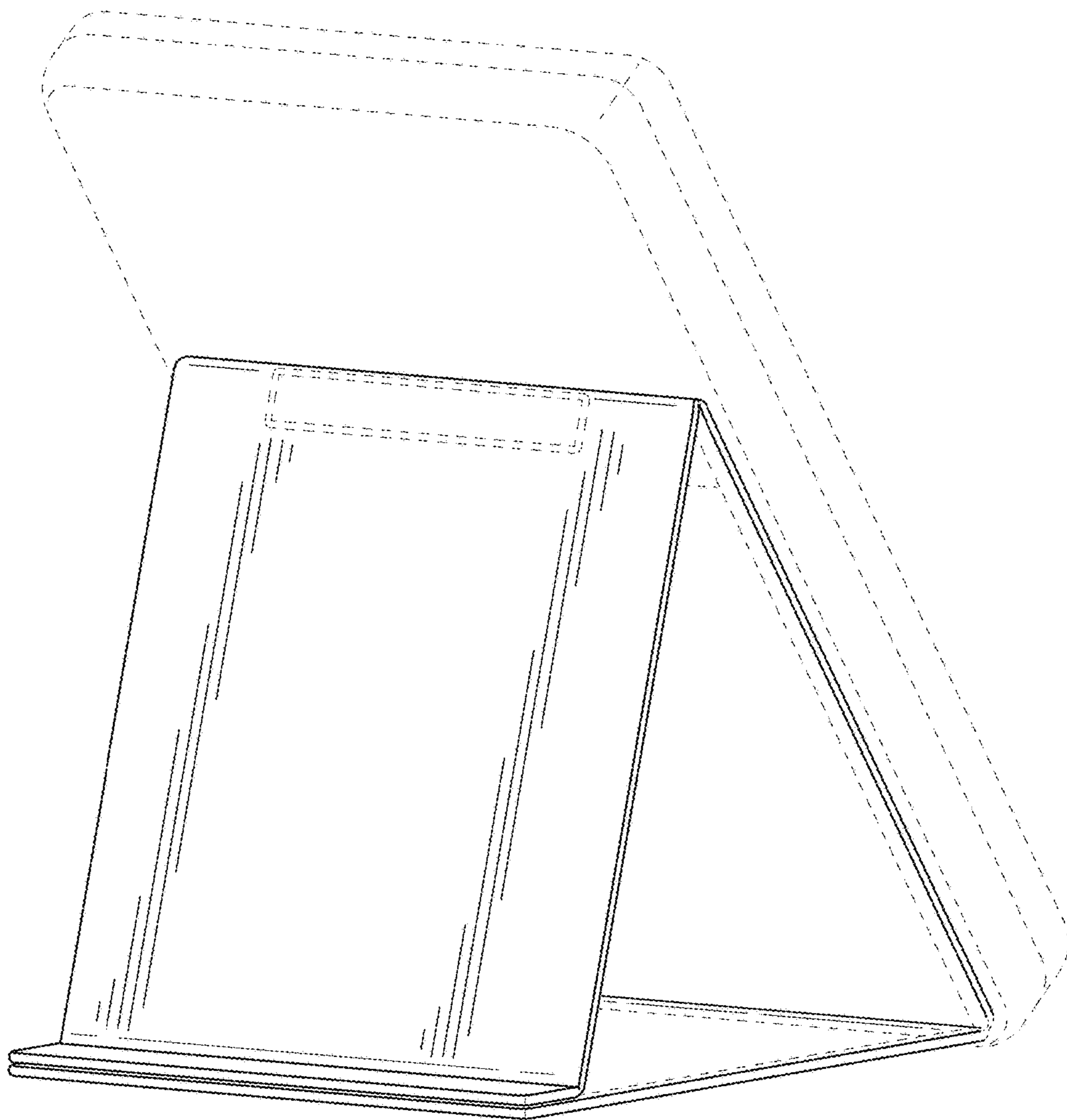


FIG. 15

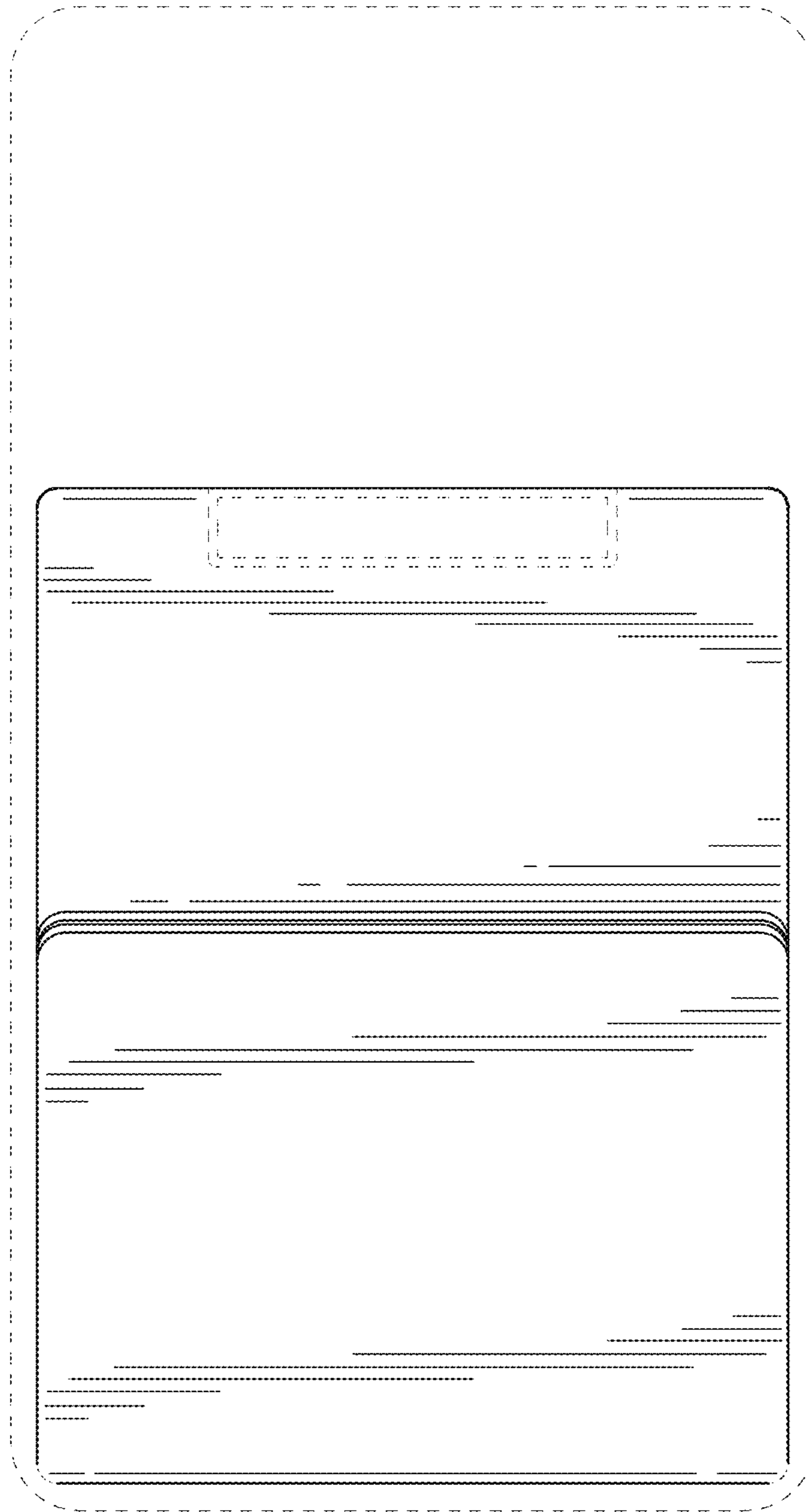


FIG. 16

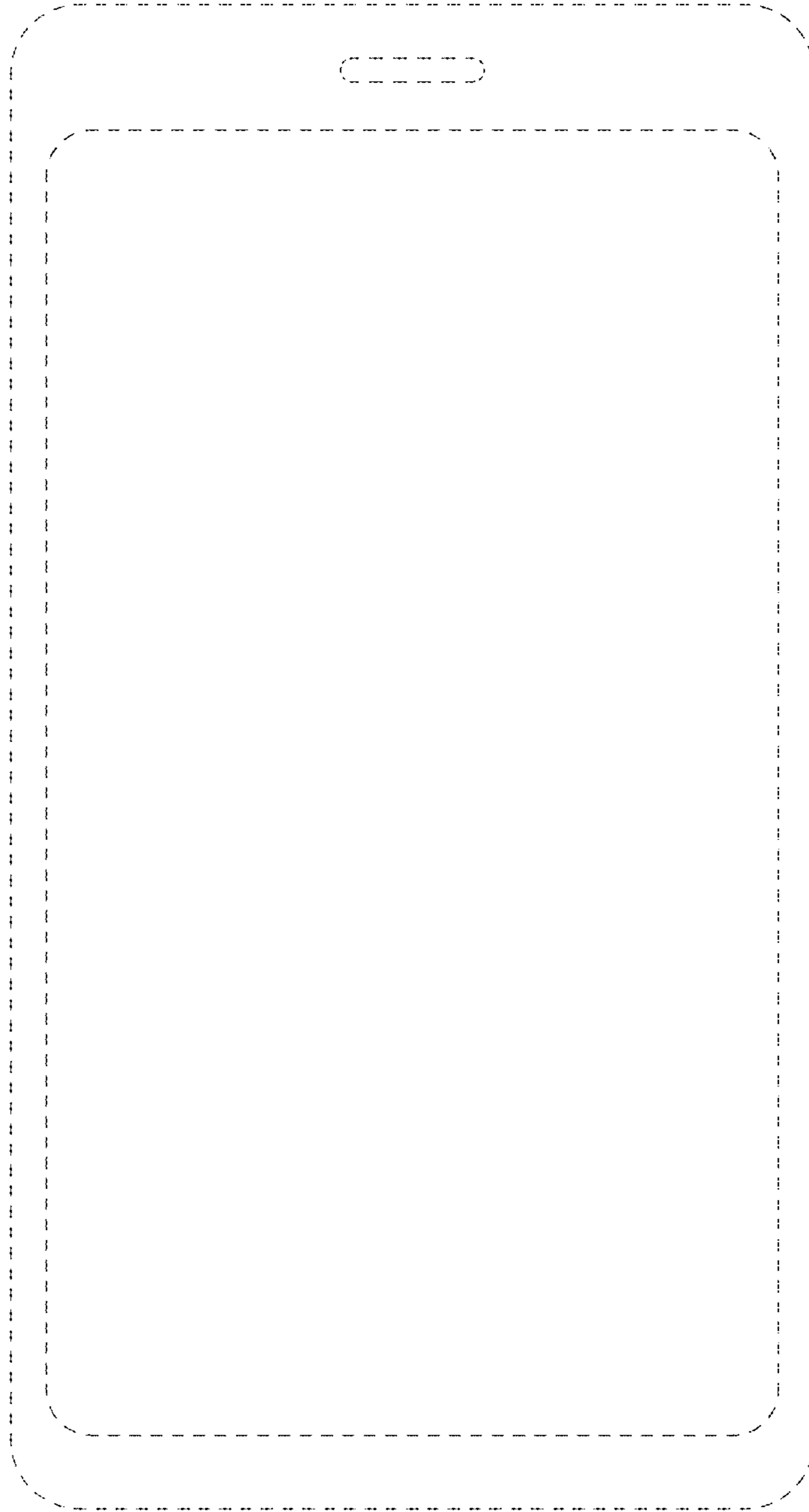


FIG. 17

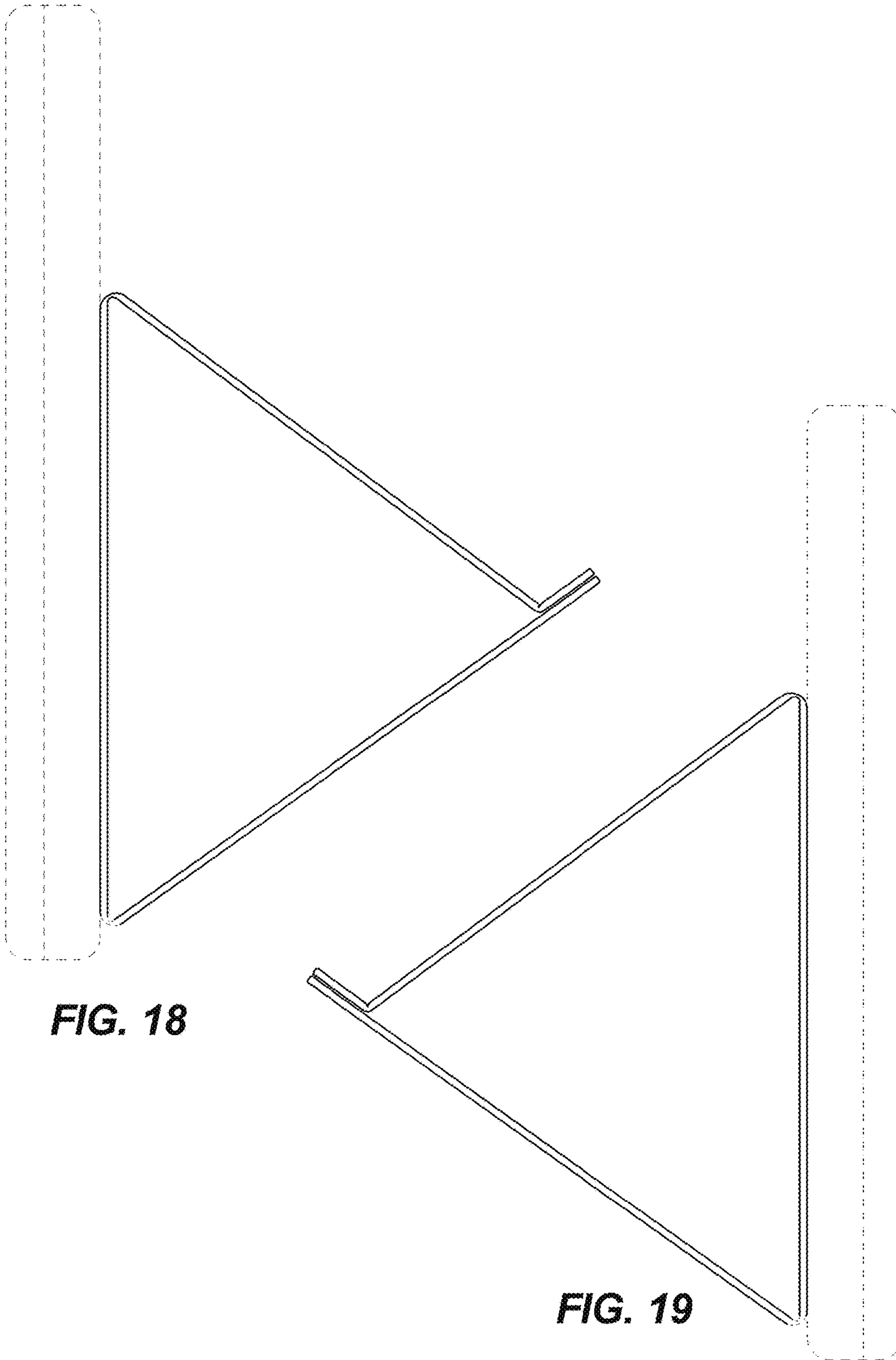


FIG. 18

FIG. 19

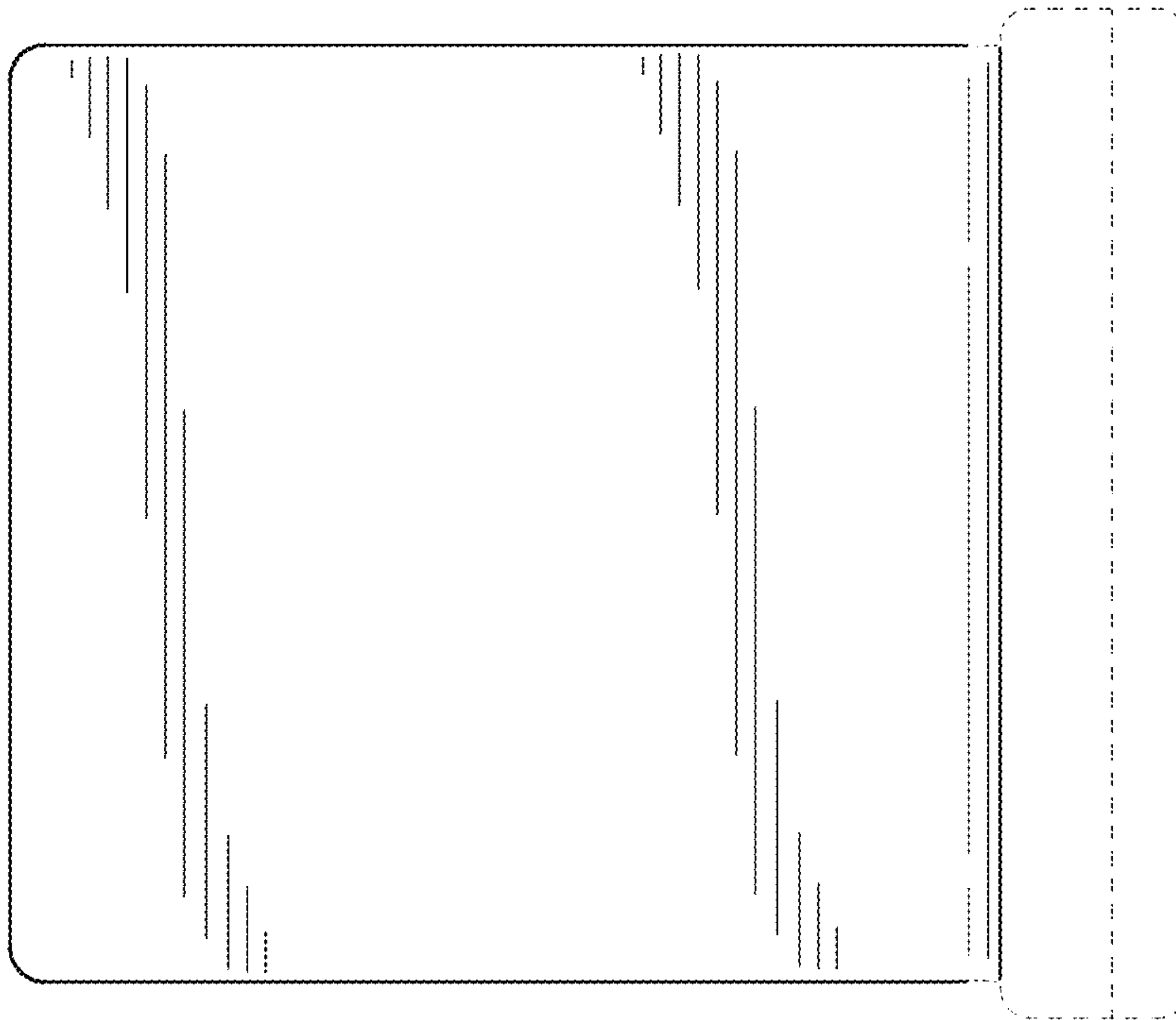


FIG. 21

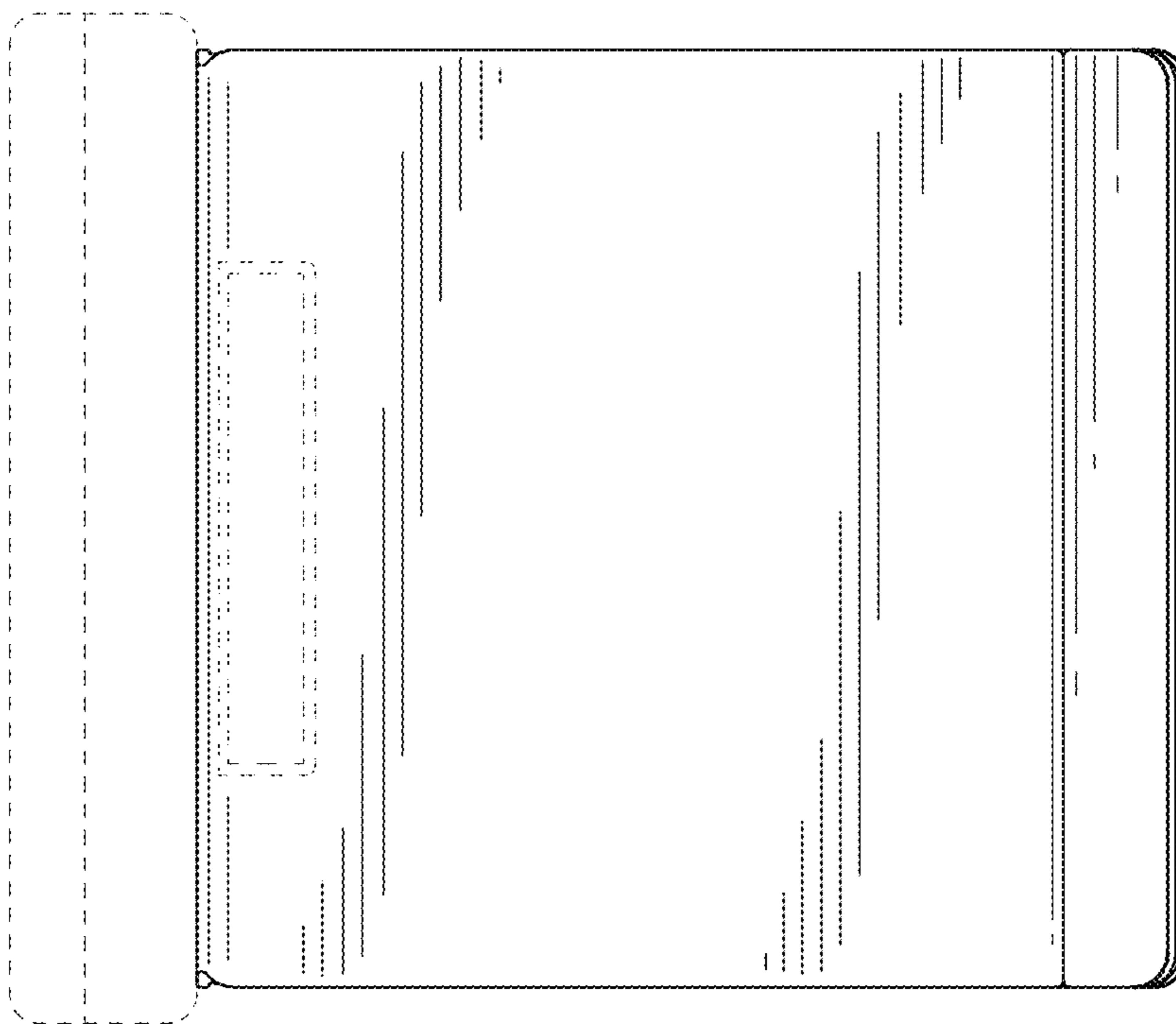


FIG. 20