



US00D828995S

(12) **United States Design Patent** (10) **Patent No.:** **US D828,995 S**  
**Ma** (45) **Date of Patent:** **\*\* Sep. 25, 2018**

(54) **UMBRELLA HOUSING**

(71) Applicant: **Zhun-An Ma**, Arcadia, CA (US)

(72) Inventor: **Zhun-An Ma**, Arcadia, CA (US)

(\*\*) Term: **15 Years**

(21) Appl. No.: **29/588,518**

(22) Filed: **Dec. 21, 2016**

(51) **LOC (11) Cl.** ..... **03-03**

(52) **U.S. Cl.**  
USPC ..... **D3/10**

(58) **Field of Classification Search**  
USPC ..... D2/5, 6, 7, 9, 10, 11, 14, 15, 16, 17;  
D3/909, 910; D21/687, 686, 801, 803,  
D21/835

CPC ..... A45B 19/02  
See application file for complete search history.

(56) **References Cited**

**U.S. PATENT DOCUMENTS**

331,231	A	11/1885	Folger
501,089	A	7/1893	Lichtenstein
620,815	A	3/1899	Warren
750,178	A	1/1904	Fesenfeld
770,704	A	9/1904	Vogel
847,805	A	3/1907	McAvoy
878,270	A	2/1908	Blake et al.
880,534	A	3/1908	Hoyt
897,026	A	8/1908	Seitzinger
928,169	A	7/1909	Bardon
941,952	A	11/1909	Riehl
947,790	A	2/1910	Carter
959,127	A	5/1910	Edwards
1,001,076	A	8/1911	Redford

(Continued)

**FOREIGN PATENT DOCUMENTS**

CA	1269018	5/1990
CN	204444542	7/2015

(Continued)

**OTHER PUBLICATIONS**

EPO Extended Search Report dated Apr. 5, 2011 for European U.S. Pat. No. 09252140.0, filed Sep. 7, 2009.

(Continued)

*Primary Examiner* — John Windmuller  
*Assistant Examiner* — Benjamin M Weeks

(74) *Attorney, Agent, or Firm* — Knobbe Martens Olson & Bear LLP

(57) **CLAIM**

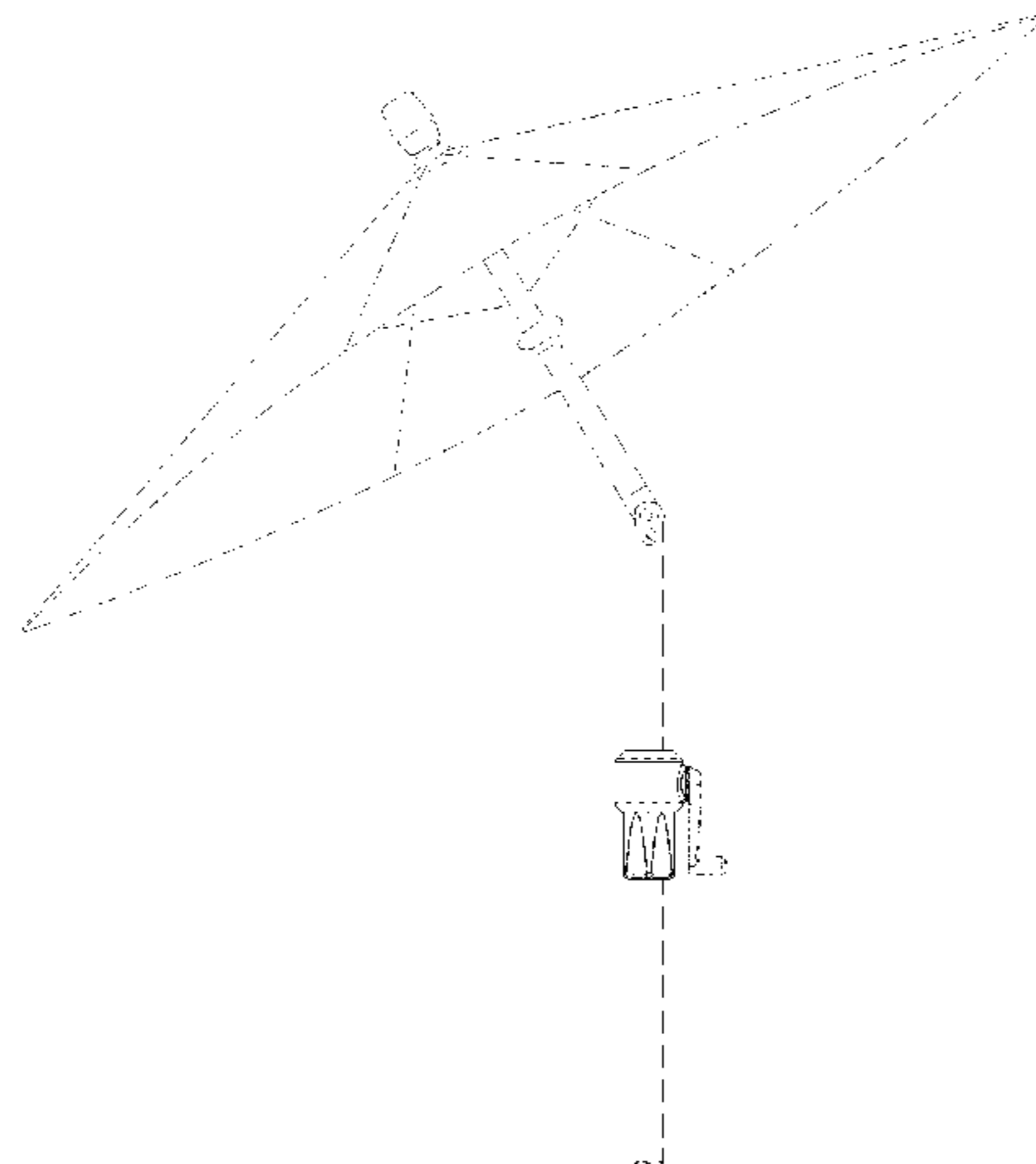
The ornamental design for an umbrella housing, as shown and described.

**DESCRIPTION**

FIG. 1 is an elevation view of an umbrella housing showing my new design in use with an umbrella;  
FIG. 2 is a perspective view of an umbrella housing;  
FIG. 3 is a front view of the design of FIG. 2  
FIG. 4 is a rear view of the design of FIG. 2  
FIG. 5 is a first side view of the design of FIG. 2;  
FIG. 6 is a second side view of the design of FIG. 2;  
FIG. 7 is a top view of the design of FIG. 2;  
FIG. 8 is a bottom view of the design of FIG. 2;  
FIG. 9 is a perspective view of the design of FIG. 2, with a grip portion thereof in a second position;  
FIG. 10 is a front or rear view of the design of FIG. 2, with a grip portion thereof in a second position;  
FIG. 11 is a front or rear view of the design of FIG. 2, with a grip portion thereof in a second position; and,  
FIG. 12 is a first side view of the design of FIG. 1, the second side view being similar to that of FIG. 6 with a grip portion thereof in a second position.

The broken lines in FIG. 1-12 depict portion of the umbrella housing and/or environment only and form no part of the claimed design.

**1 Claim, 11 Drawing Sheets**



(56)

References Cited

U.S. PATENT DOCUMENTS

1,022,944 A 4/1912 Hodinger  
 1,078,069 A 11/1913 Simons  
 1,107,415 A 8/1914 Drohan  
 1,264,075 A 4/1918 Hout  
 1,469,495 A 10/1923 Bunker  
 1,808,610 A 6/1931 Roy  
 2,101,510 A 12/1937 Rathbun  
 2,207,043 A 7/1940 Weiss et al.  
 2,321,495 A 6/1943 Levin  
 2,336,116 A 12/1943 Morando  
 2,385,575 A 9/1945 Isler  
 2,469,637 A 5/1949 Evans et al.  
 2,635,616 A 4/1953 Haydu  
 2,762,383 A 9/1956 Wittman  
 2,796,073 A 6/1957 Wittman  
 2,860,647 A 11/1958 Negri  
 2,914,154 A 11/1959 Russell  
 3,157,186 A 11/1964 Hammer  
 3,177,882 A 4/1965 Vincent  
 3,252,468 A 5/1966 Militano  
 3,330,582 A 7/1967 Morris  
 3,424,180 A 1/1969 Andolfi  
 3,462,179 A 8/1969 Hinkle  
 3,557,809 A 1/1971 Vazquez et al.  
 3,643,673 A 2/1972 Weber  
 3,704,479 A 12/1972 Whitaker  
 D231,955 S 6/1974 Weber  
 4,201,237 A 5/1980 Watts et al.  
 4,368,749 A 1/1983 Lindler et al.  
 4,369,000 A 1/1983 Egnew  
 4,627,210 A 12/1986 Beaulieu  
 4,673,308 A 6/1987 Reilly  
 4,750,509 A 6/1988 Kim  
 4,790,338 A \* 12/1988 Strobl ..... A45B 3/00  
 135/16  
 4,941,499 A 7/1990 Pelsue et al.  
 4,966,178 A 10/1990 Eichhorn  
 D320,111 S 9/1991 Ma  
 5,056,291 A 10/1991 Leung  
 D321,779 S 11/1991 Ma  
 5,069,572 A 12/1991 Niksic  
 5,085,239 A 2/1992 Chin-Hung et al.  
 5,188,137 A 2/1993 Simonelli  
 5,193,566 A 3/1993 Chen  
 5,328,286 A 7/1994 Lee  
 D360,522 S \* 7/1995 Ko ..... D3/10  
 5,433,233 A 7/1995 Shiran et al.  
 5,445,471 A 8/1995 Wexler et al.  
 5,738,129 A 4/1998 Vogt  
 5,740,824 A 4/1998 Tang  
 5,797,613 A 8/1998 Busby  
 5,797,695 A 8/1998 Prusmack  
 5,842,494 A 12/1998 Wu  
 D411,655 S \* 6/1999 Tung ..... D3/10  
 5,911,233 A 6/1999 Wu  
 D412,056 S \* 7/1999 Wang ..... D3/10  
 6,076,540 A 6/2000 You  
 6,095,169 A 8/2000 Lin et al.  
 6,199,572 B1 3/2001 Rousselle et al.  
 6,227,753 B1 5/2001 Boer  
 6,311,706 B1 11/2001 Sato  
 6,314,976 B1 11/2001 Clarke  
 6,332,657 B1 12/2001 Fischer  
 6,345,637 B1 2/2002 Ko  
 6,354,316 B1 3/2002 Chen  
 6,374,840 B1 4/2002 Ma  
 6,386,215 B1 5/2002 Chang  
 6,397,867 B2 6/2002 You  
 D460,947 S 7/2002 Montena  
 D465,915 S \* 11/2002 Earnshaw ..... D3/10  
 6,604,844 B2 8/2003 Hussey  
 6,643,889 B1 11/2003 Kotlarski  
 6,701,946 B2 3/2004 You  
 6,705,335 B2 3/2004 You  
 6,758,228 B1 7/2004 You

6,758,354 B2 7/2004 Carletti  
 6,814,093 B2 11/2004 You  
 7,178,535 B2 2/2007 Eder  
 7,464,503 B2 12/2008 Hoberman  
 7,481,235 B2 1/2009 Prusmack  
 7,574,777 B1 8/2009 Fuller et al.  
 7,637,276 B2 12/2009 Mallookis et al.  
 7,703,464 B2 4/2010 Ma  
 D623,396 S \* 9/2010 He ..... D3/10  
 D626,324 S \* 11/2010 Ma ..... D3/10  
 7,861,734 B2 \* 1/2011 Ma ..... A45B 25/08  
 135/28  
 D631,848 S 2/2011 Montena et al.  
 7,891,367 B2 \* 2/2011 Ma ..... A45B 25/02  
 135/19.5  
 8,061,375 B2 11/2011 Ma  
 8,069,872 B2 12/2011 Bae  
 8,082,935 B2 12/2011 Ma  
 8,082,937 B2 12/2011 Tarter et al.  
 8,166,986 B2 5/2012 Ma  
 D661,659 S 6/2012 Natoli et al.  
 D662,064 S 6/2012 Natoli et al.  
 D668,446 S 10/2012 Patzak  
 D670,901 S \* 11/2012 Rothbucher ..... D3/10  
 8,356,613 B2 1/2013 Ma  
 8,360,085 B2 1/2013 Lee  
 8,485,208 B2 7/2013 Seo  
 8,496,019 B2 7/2013 Zhou  
 8,555,905 B2 10/2013 Ma  
 D719,342 S \* 12/2014 Ma ..... D3/10  
 D719,343 S \* 12/2014 Ma ..... D3/10  
 9,078,497 B2 7/2015 Ma  
 D738,609 S \* 9/2015 Ma ..... D3/10  
 9,192,215 B2 11/2015 Ma  
 D744,742 S \* 12/2015 You ..... D3/10  
 D749,835 S \* 2/2016 Whitaker ..... D3/10  
 D750,364 S \* 3/2016 Lah ..... D3/10  
 9,433,269 B2 9/2016 Ma  
 9,498,030 B2 11/2016 Ma  
 D786,661 S 5/2017 Wright  
 2001/0007260 A1 7/2001 Rousselle et al.  
 2004/0025915 A1 2/2004 Wang  
 2004/0123891 A1 7/2004 Ma  
 2005/0115599 A1 6/2005 You  
 2006/0005867 A1 \* 1/2006 Chang ..... A45B 3/04  
 135/16  
 2006/0124160 A1 6/2006 Lee  
 2007/0172310 A1 7/2007 Yang et al.  
 2009/0071518 A1 3/2009 Amsel  
 2009/0126769 A1 5/2009 Hoogendoorn  
 2009/0260664 A1 10/2009 Ma  
 2010/0288318 A1 11/2010 Beaulieu  
 2011/0017249 A1 1/2011 Ma  
 2011/0132418 A1 \* 6/2011 Ma ..... A45B 25/08  
 135/37  
 2011/0214705 A1 9/2011 Ma  
 2012/0318316 A1 12/2012 Choi et al.  
 2013/0008478 A1 1/2013 Prieto  
 2014/0026931 A1 1/2014 Lee  
 2016/0115707 A1 4/2016 Schneider et al.  
 2017/0112242 A1 4/2017 Ma

FOREIGN PATENT DOCUMENTS

DE 1152226 8/1963  
 EP 0202769 12/1989  
 FR 855628 5/1940  
 FR 002650491 2/1991  
 FR 2857835 1/2005  
 GB 2113543 8/1983  
 GB 2165448 11/1987  
 JP 61131921 8/1986  
 KR 100851744 8/2008  
 KR 10-2009-0110808 10/2009

(56)

**References Cited**

FOREIGN PATENT DOCUMENTS

KR	10-2012-0107607	10/2012
WO	WO 2005/023042	3/2005

OTHER PUBLICATIONS

Extended European Search Report issued in EP Application No. 14157685, dated Jul. 7, 2014, in 8 pages.

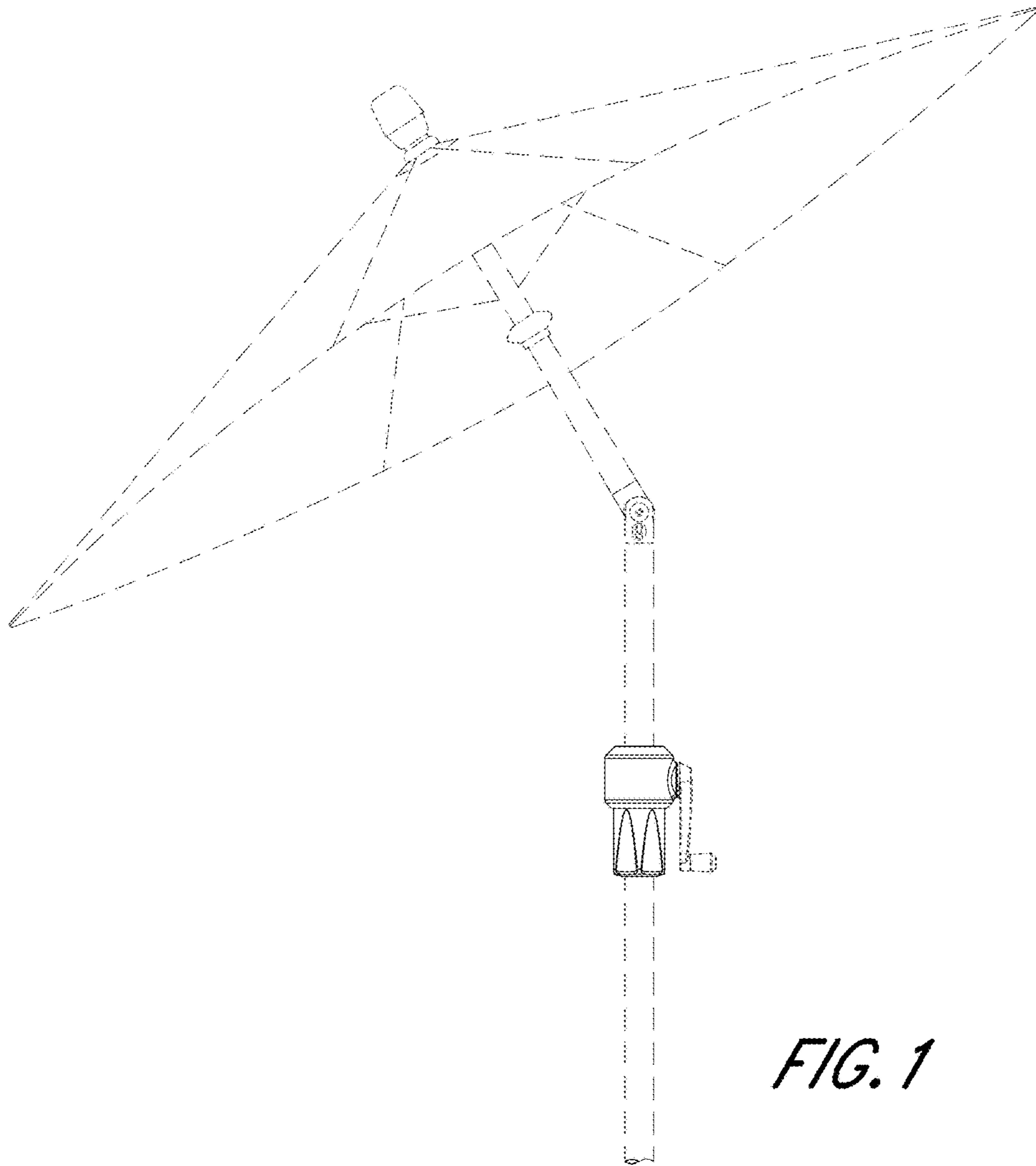
Extended European Search Report issued in EP Application No. 14158057, dated Jul. 7, 2014, in 7 pages.

Extended European Search Report issued in EP Application No. 15156587.6, dated Jul. 23, 2015, in 7 pages.

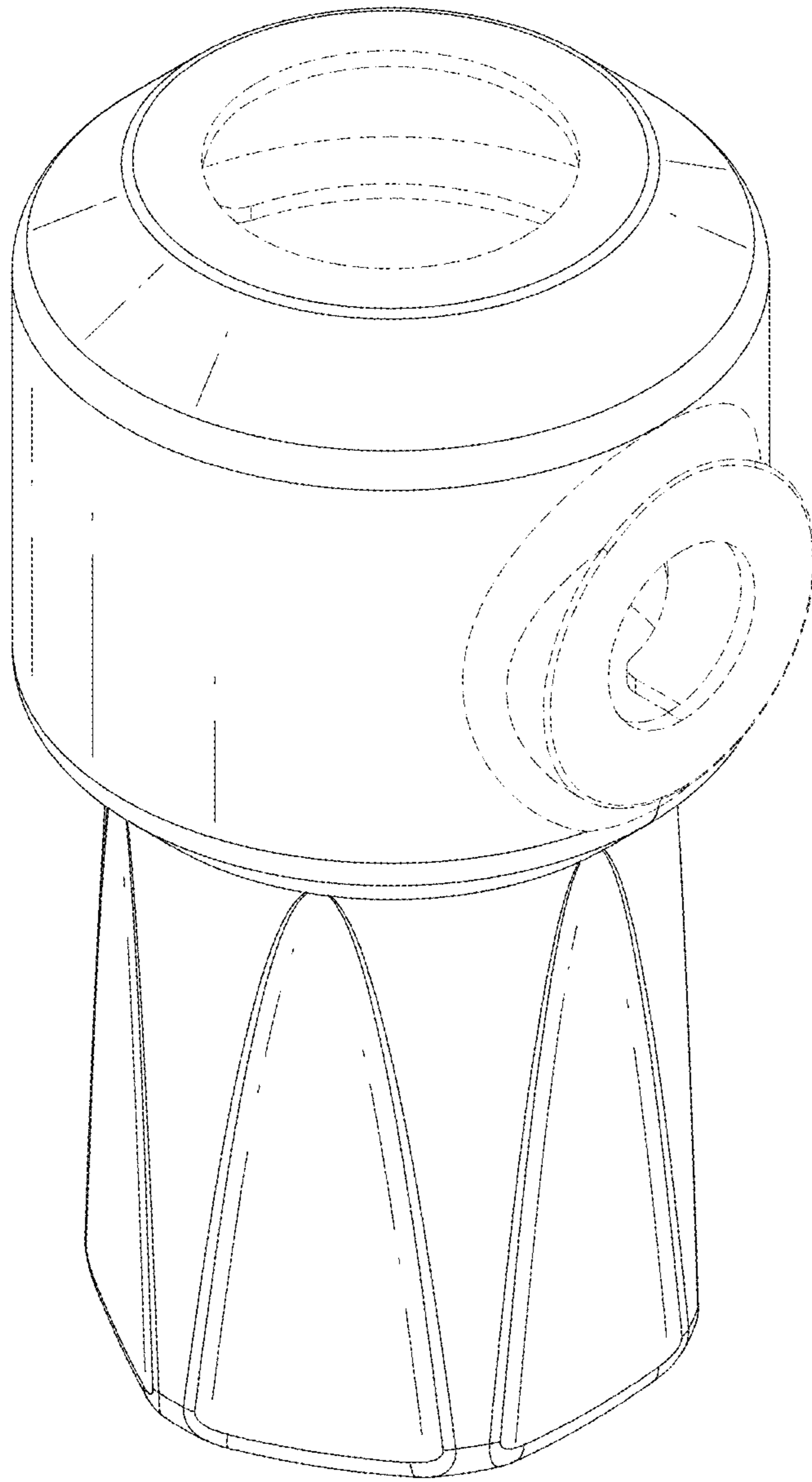
International Search Report and Written Opinion issued in PCT Application No. PCT/US2016/051771, dated Dec. 28, 2016.

Treasure Garden, 2010 Products Catalog, pp. 20 and 60.

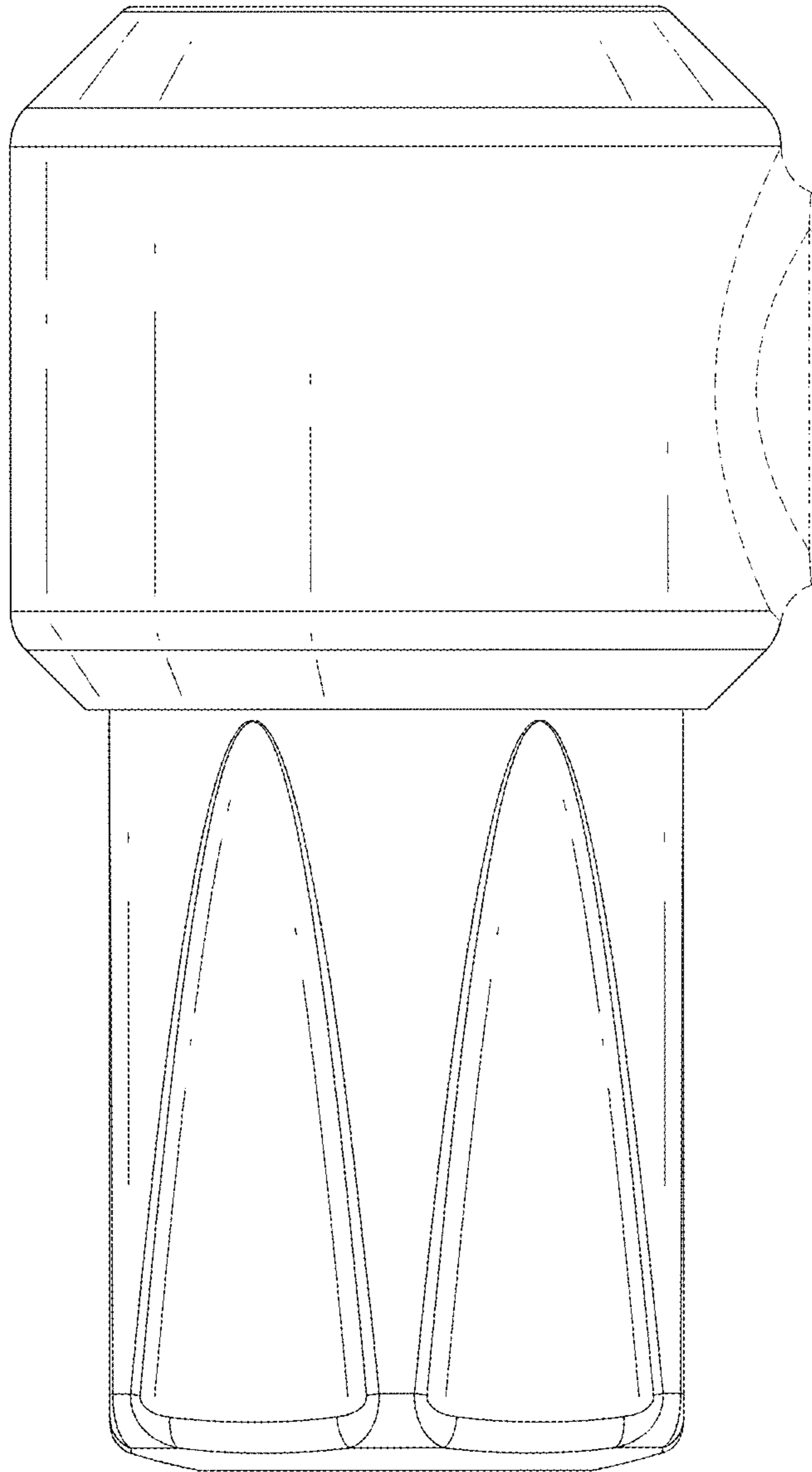
\* cited by examiner



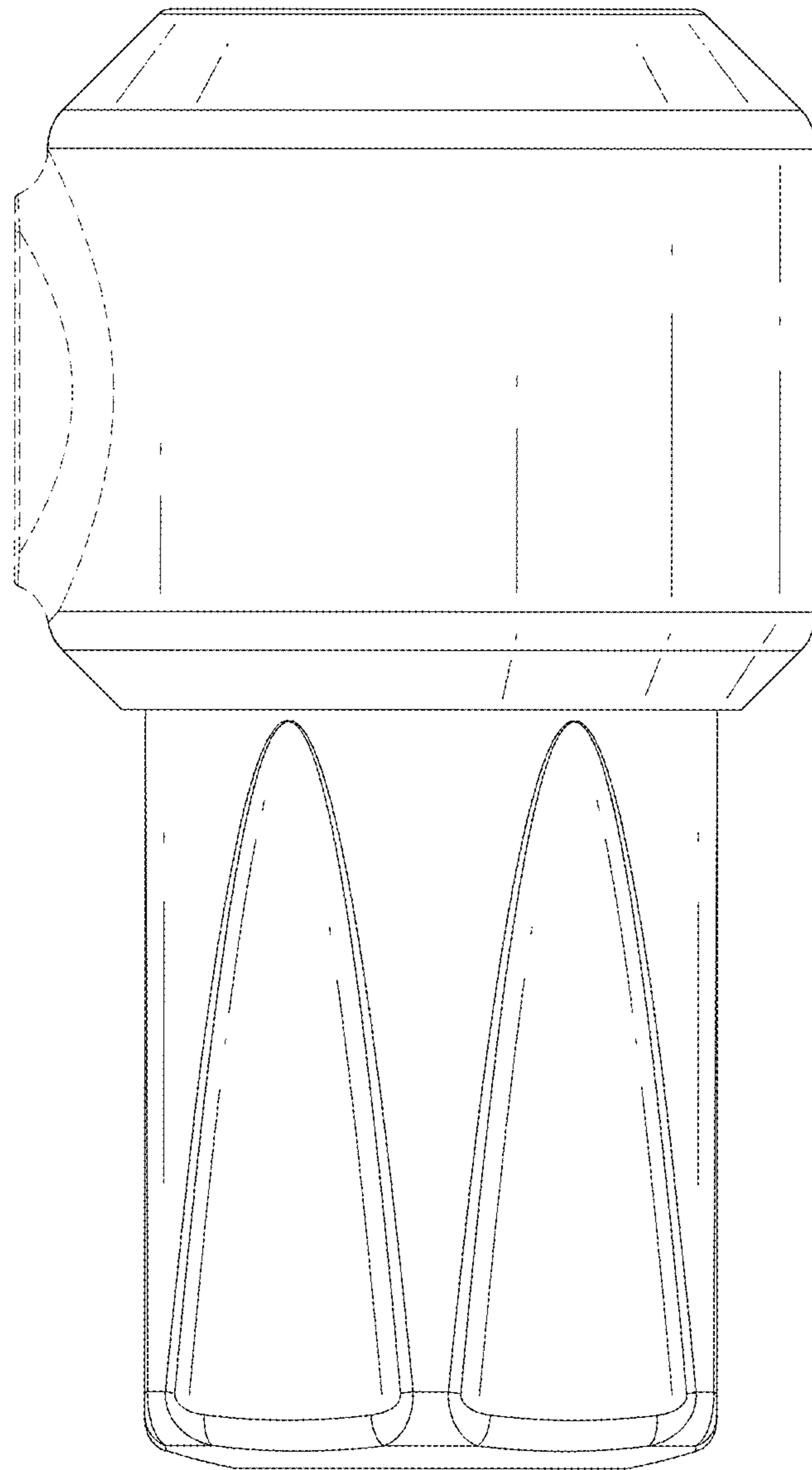
*FIG. 1*



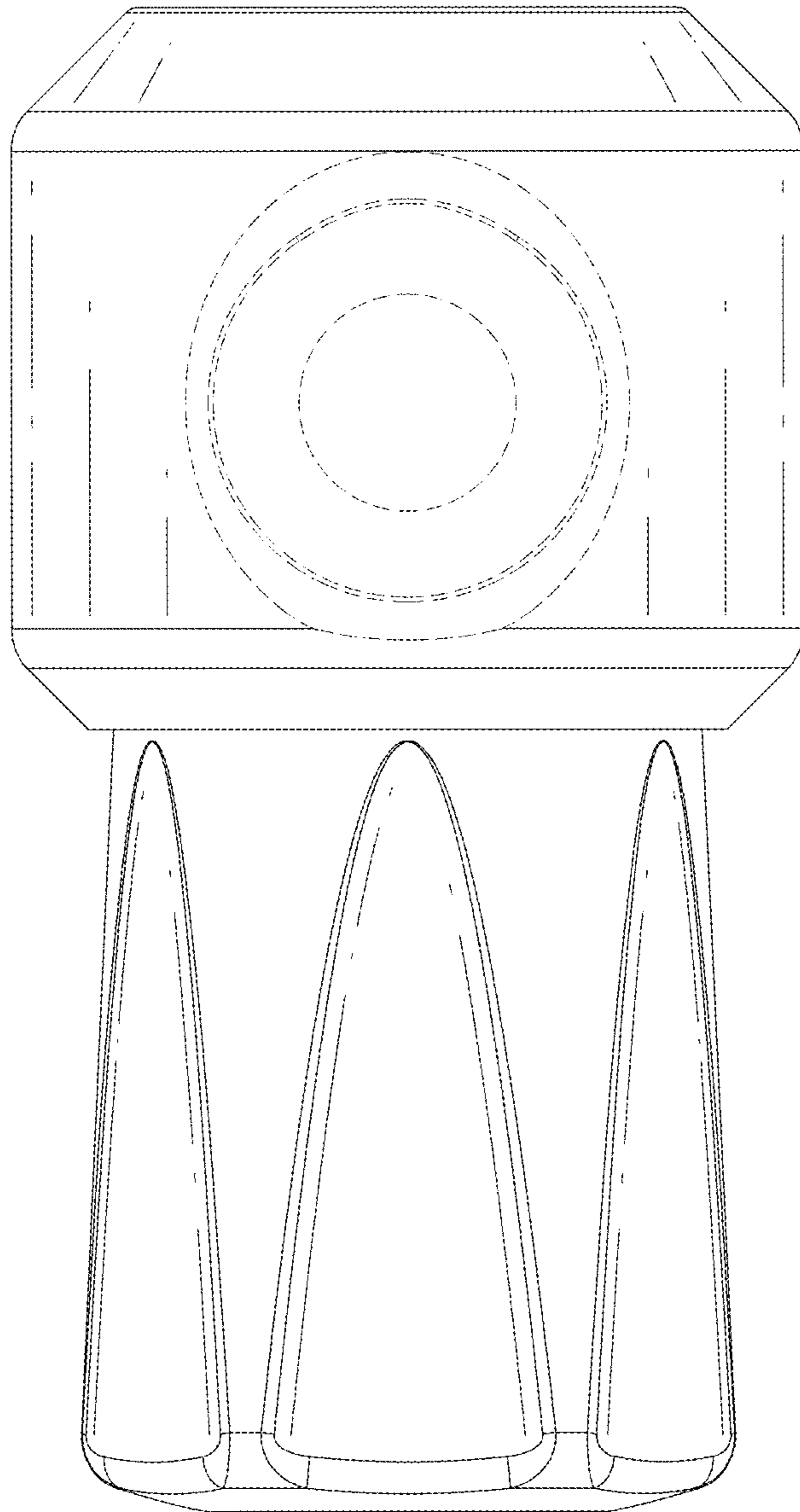
*FIG. 2*



*FIG. 3*

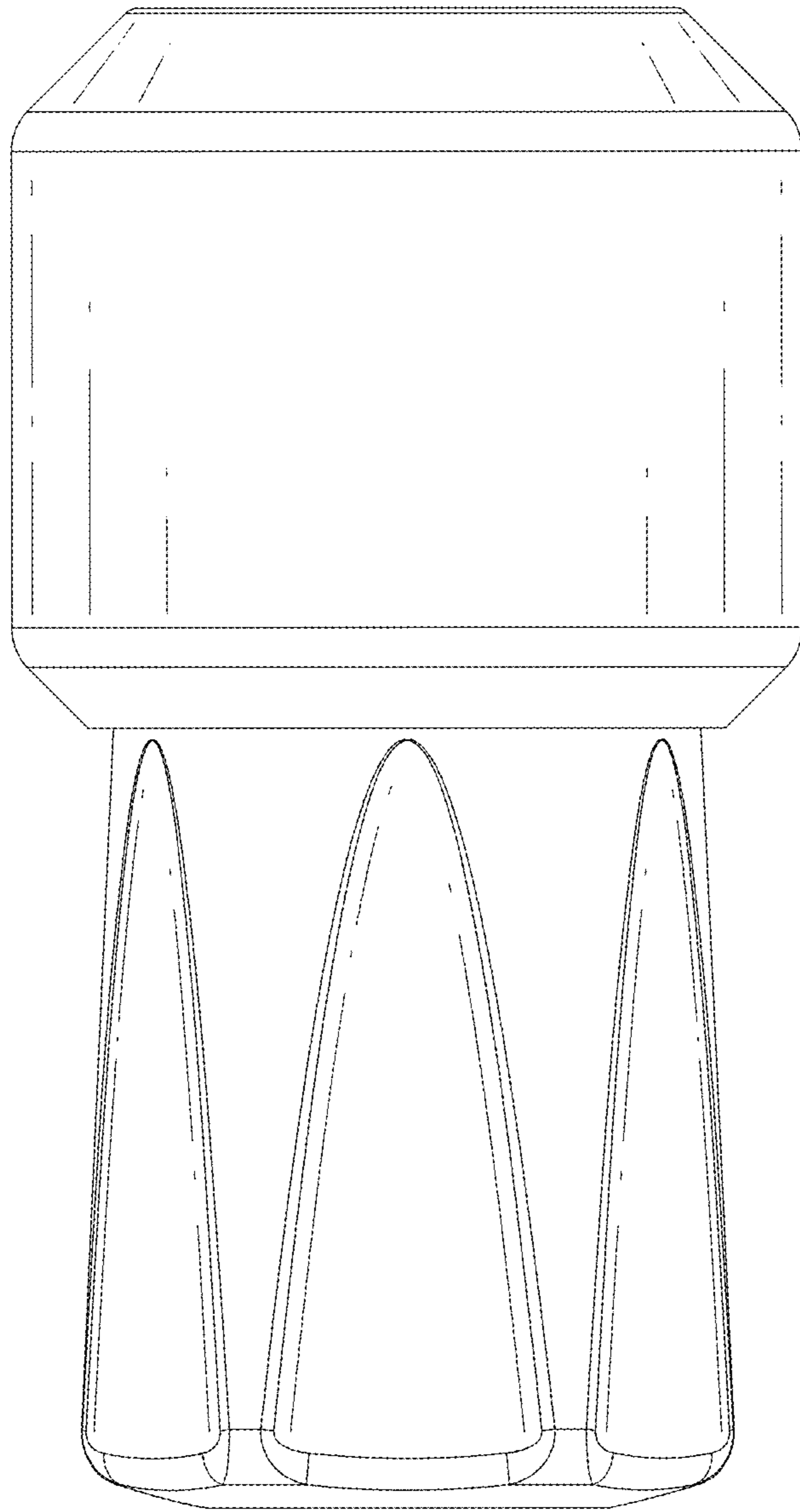


*FIG. 4*

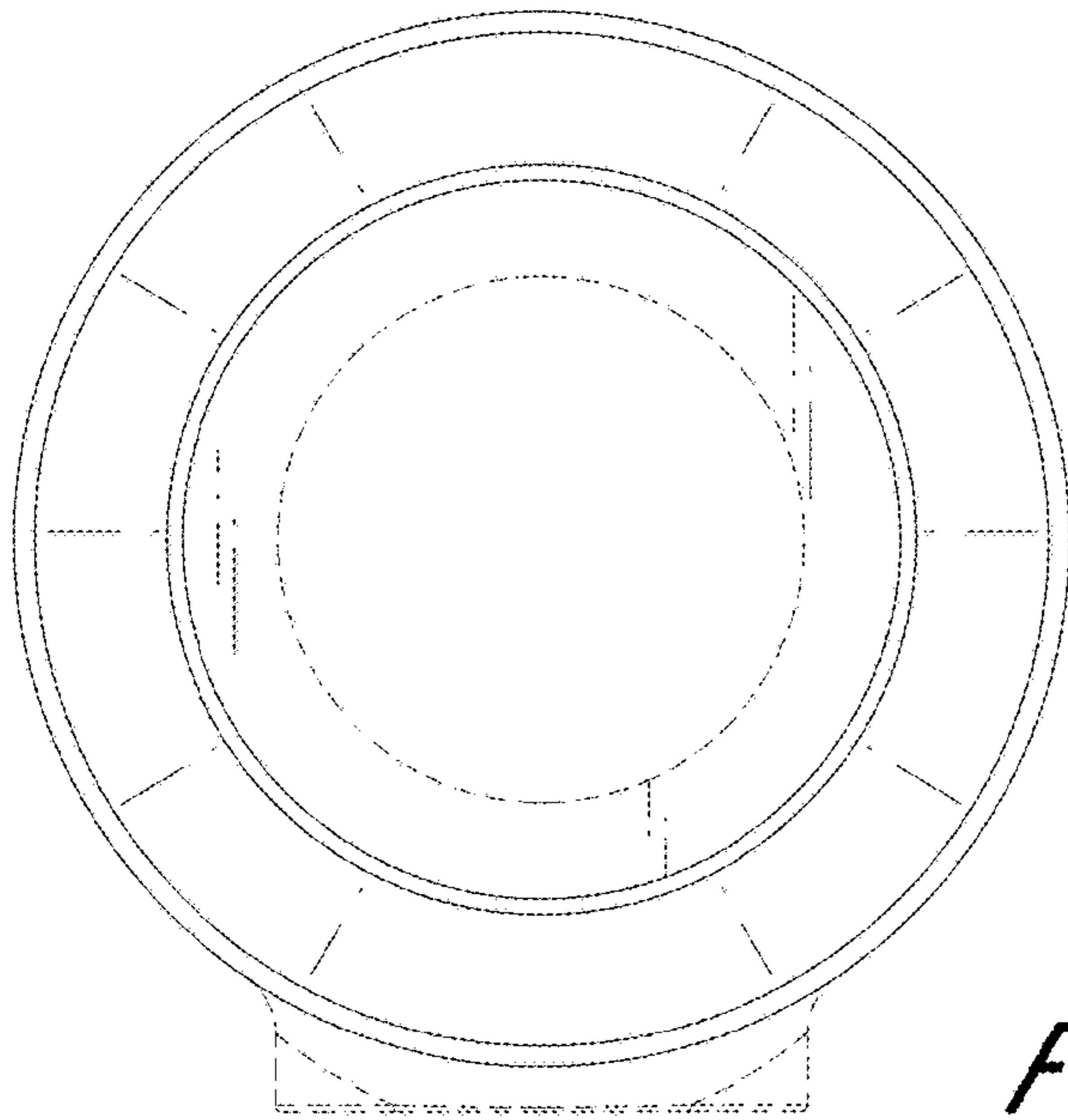


*FIG. 5*

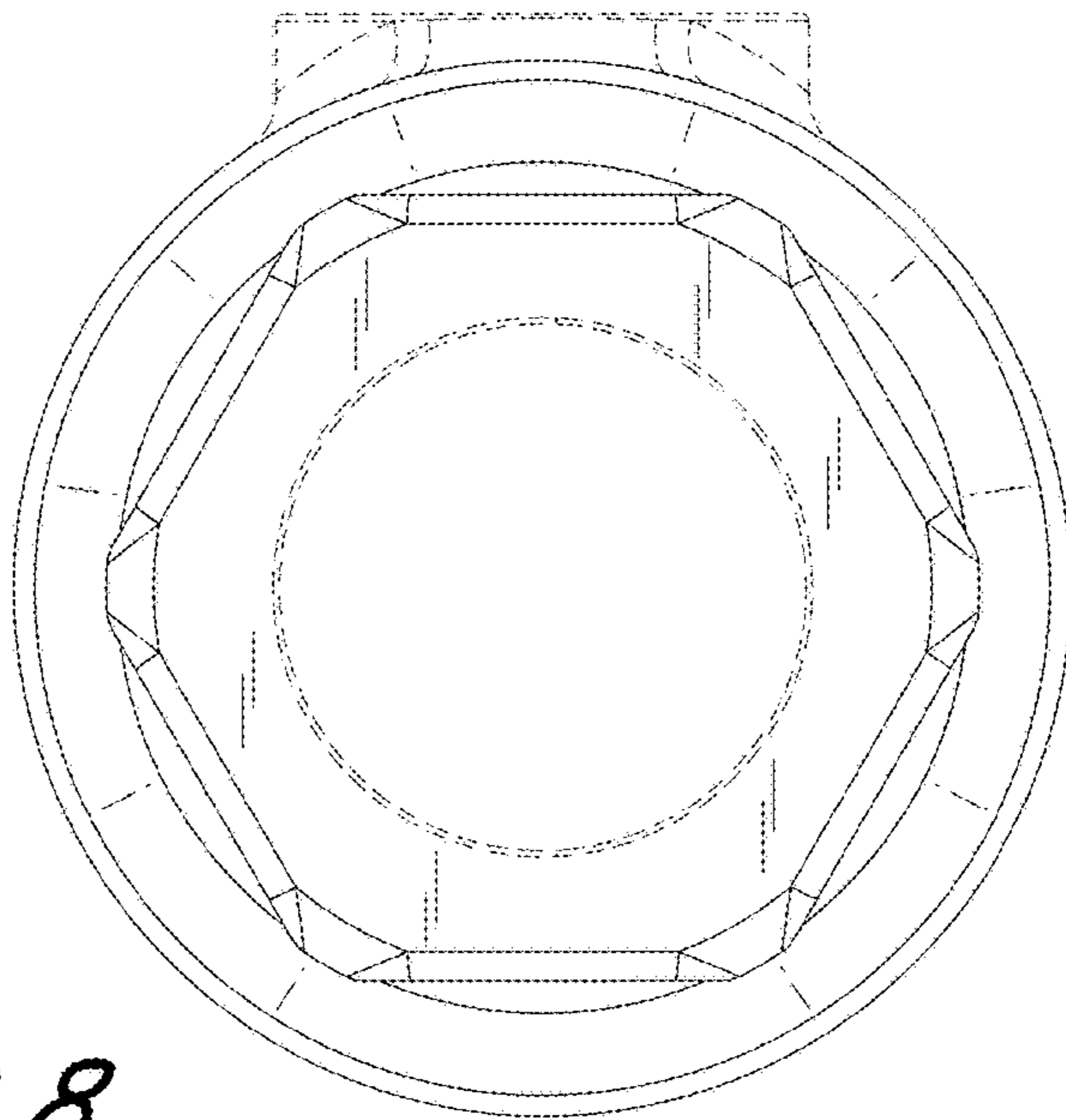




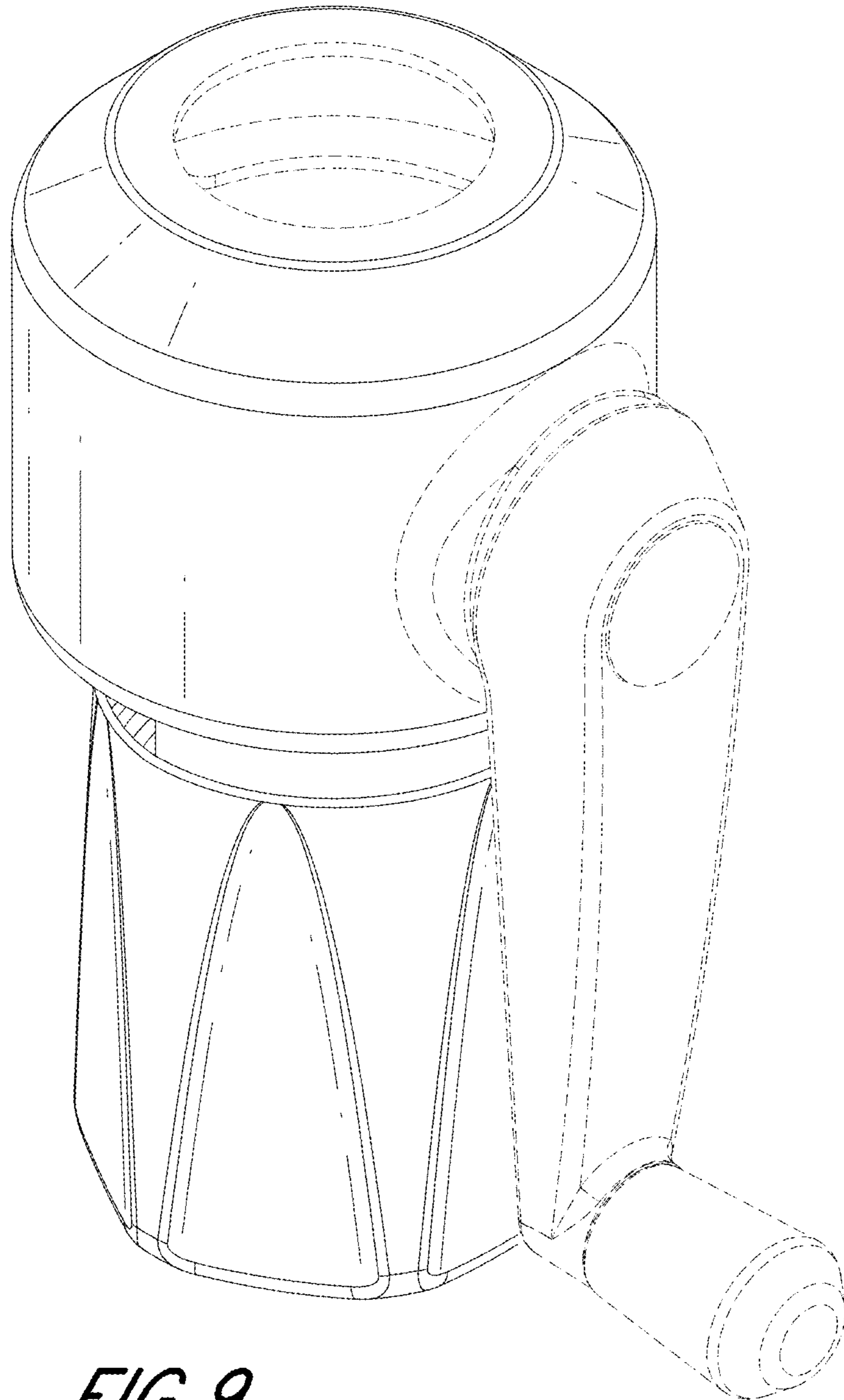
*FIG. 6*



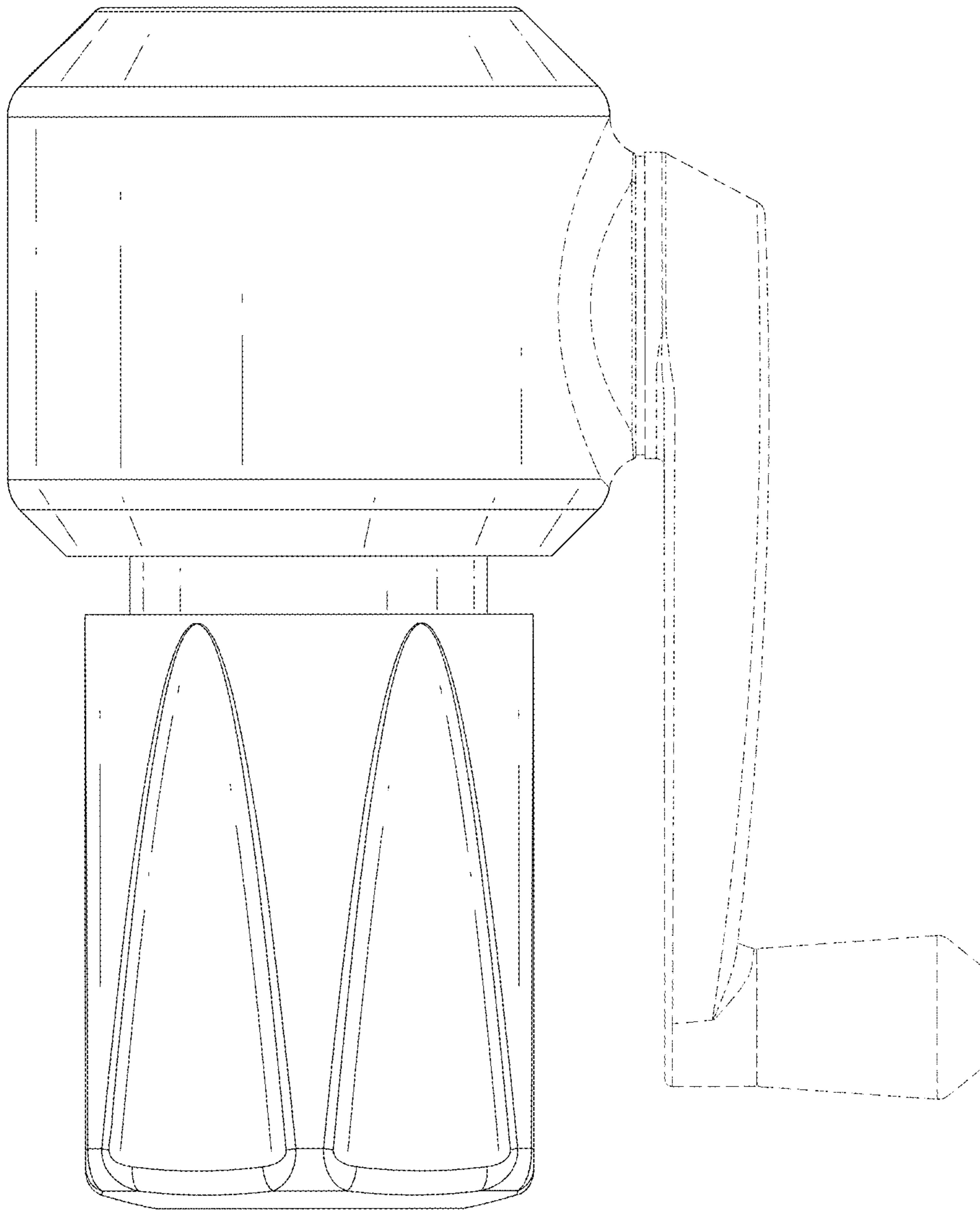
*FIG. 7*



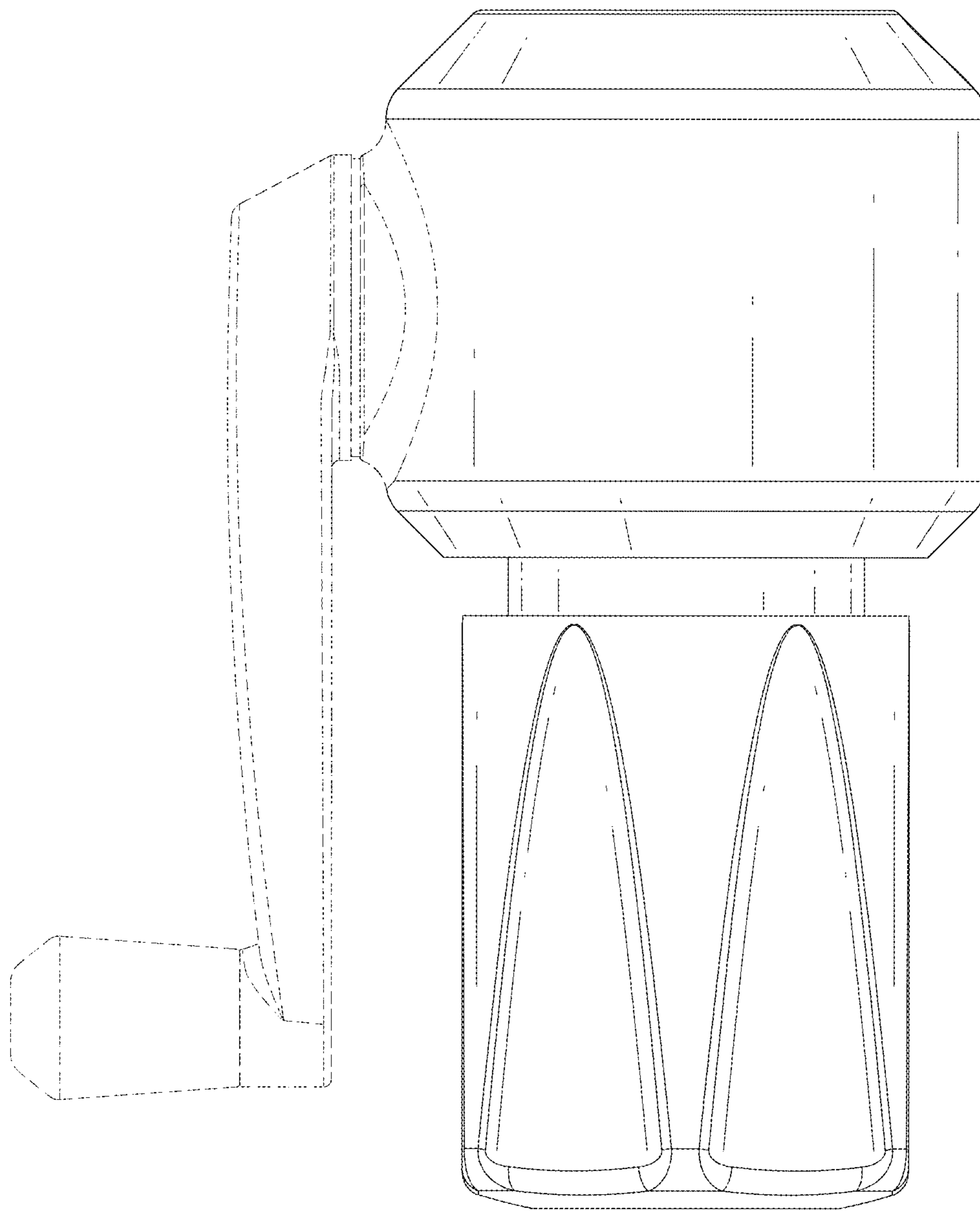
*FIG. 8*



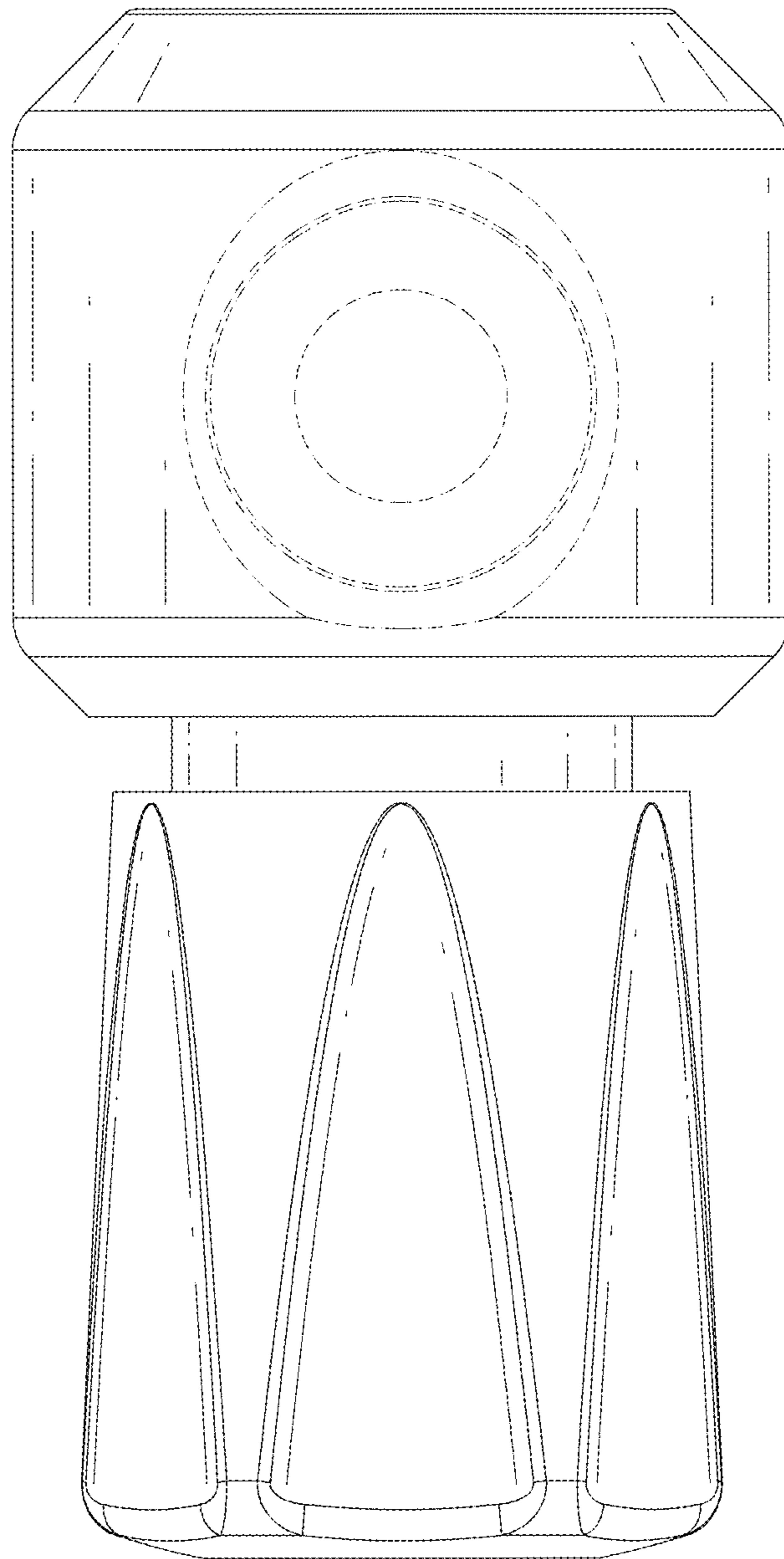
**FIG. 9**



*FIG. 10*



*FIG. 11*



*FIG. 12*