



US00D828982S

(12) **United States Design Patent**
Olsen

(10) **Patent No.:** **US D828,982 S**

(45) **Date of Patent:** **** Sep. 25, 2018**

(54) **SHOE**

(71) Applicant: **TR Apparel, LLC**, New York, NY
(US)

(72) Inventor: **Mary-Kate Olsen**, New York, NY (US)

(73) Assignee: **TR APPAREL, LLC**, New York, NY
(US)

(**) Term: **15 Years**

(21) Appl. No.: **29/648,765**

(22) Filed: **May 23, 2018**

(51) **LOC (11) Cl.** **02-04**

(52) **U.S. Cl.**
USPC **D2/926**

(58) **Field of Classification Search**

USPC D2/896, 916–922, 925–942, 969, 971
CPC A43B 21/00; A43B 21/02; A43B 21/06;
A43B 9/14; A43B 1/0045; A43B 13/10;
A43B 13/12; A43B 23/06; A43B 23/07;
A43B 1/0036; A43B 7/32; A43B 5/12;
A43B 23/25; A43B 3/128; A43B 3/10;
A43B 3/122; A43B 3/24; A43B 3/12
See application file for complete search history.

(56) **References Cited**

U.S. PATENT DOCUMENTS

D99,196 S * 4/1936 Jerro D2/932
D163,010 S * 4/1951 Weisman D2/940

D174,063 S * 2/1955 Smith D2/918
D230,104 S * 1/1974 Larsh et al. D2/919
D415,606 S * 10/1999 Bray, Jr. D2/919
D696,002 S * 12/2013 Finneran D2/939
D772,544 S * 11/2016 Slimane D2/939
D799,174 S * 10/2017 Maier D2/919

* cited by examiner

Primary Examiner — Dominic V Simone

(74) *Attorney, Agent, or Firm* — Sheppard Mullin Richter
& Hampton LLP; Jonathan A. Marina

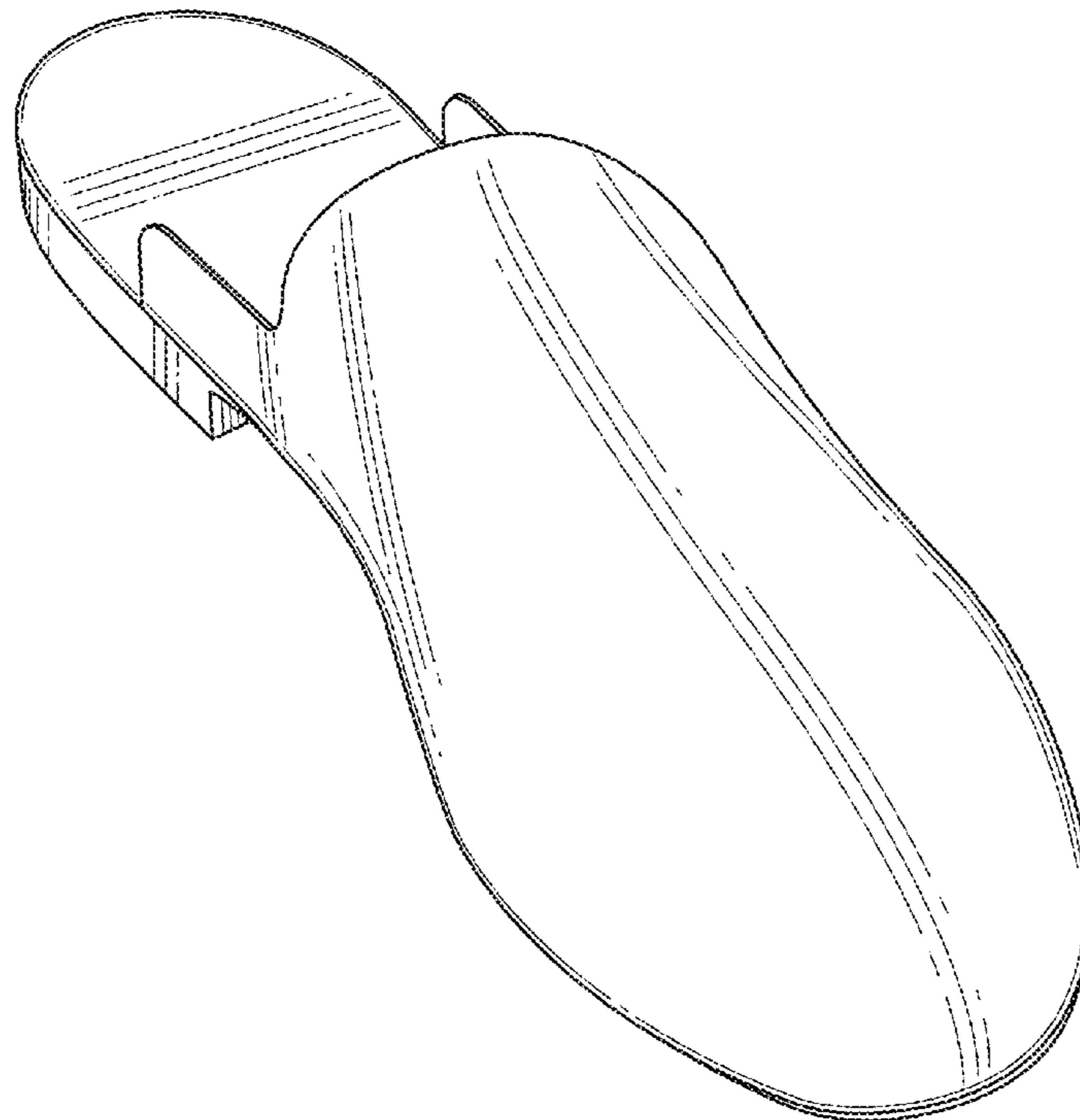
(57) **CLAIM**

I claim the ornamental design for a shoe, as shown and described.

DESCRIPTION

FIG. 1 is a top, right, and front side perspective view of an ornamental design for a shoe;
FIG. 2 is a top plan view thereof;
FIG. 3 is a bottom plan view thereof;
FIG. 4 is a left side elevational view thereof;
FIG. 5 is a right side elevational view thereof;
FIG. 6 is a front side elevational view thereof; and,
FIG. 7 is a rear side elevational view thereof.

1 Claim, 6 Drawing Sheets



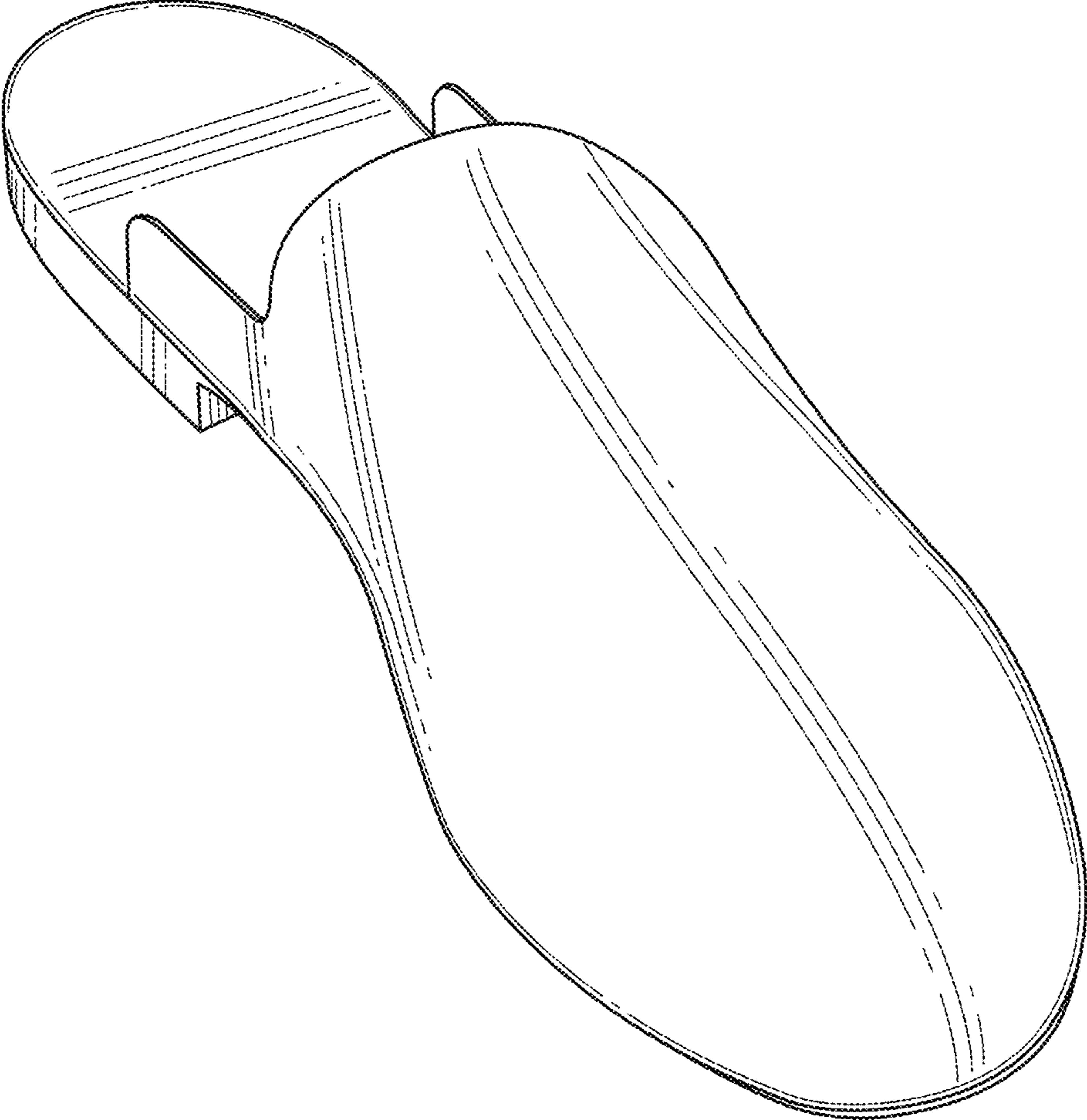


FIG. 1

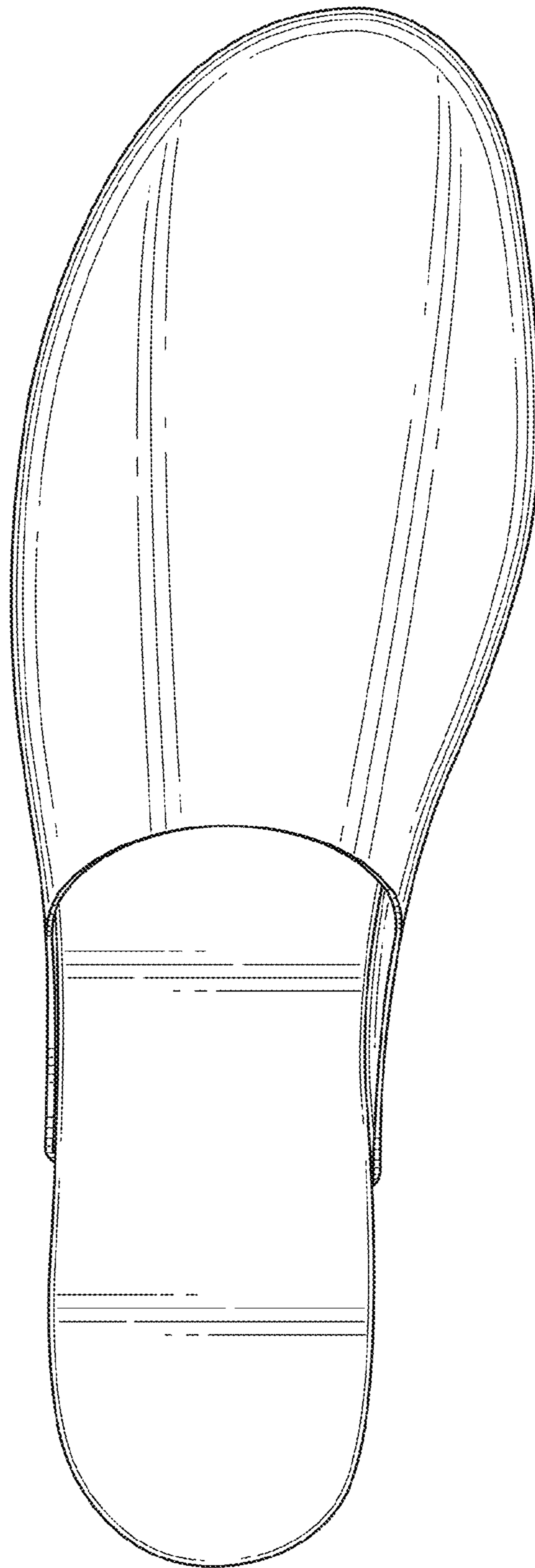


FIG. 2

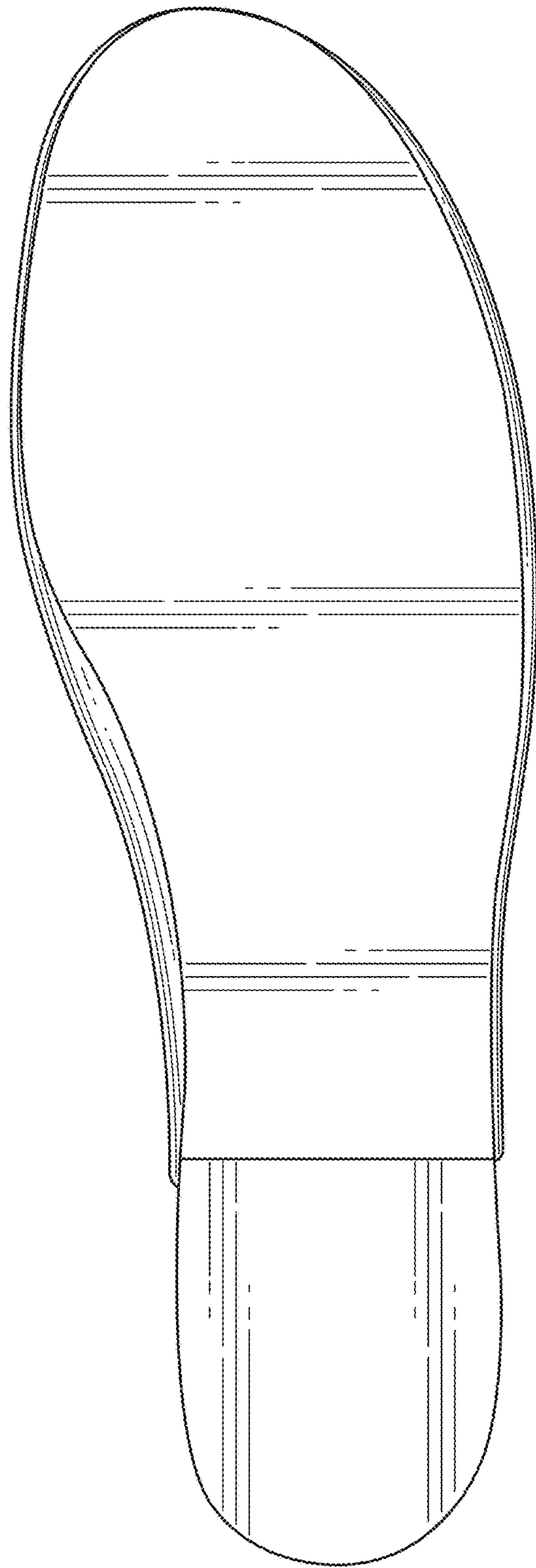


FIG. 3

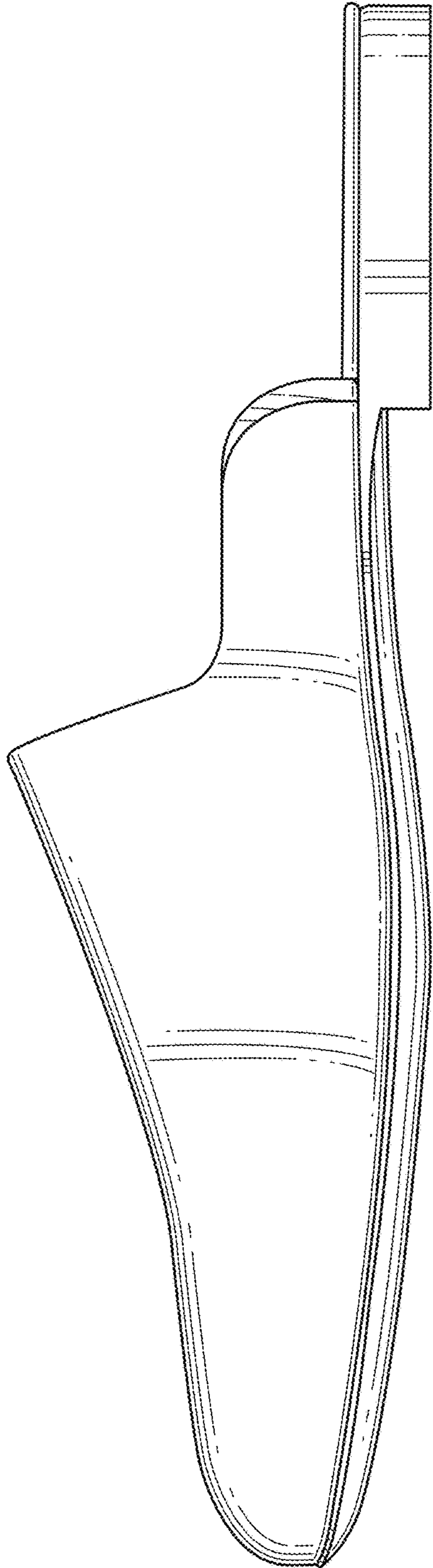


FIG. 4

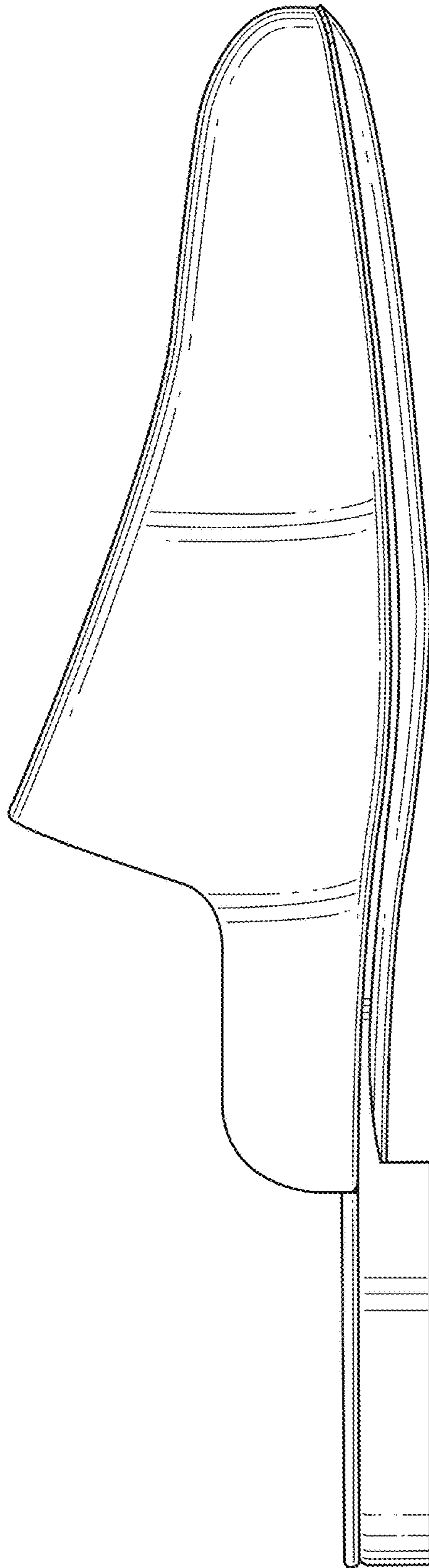


FIG. 5

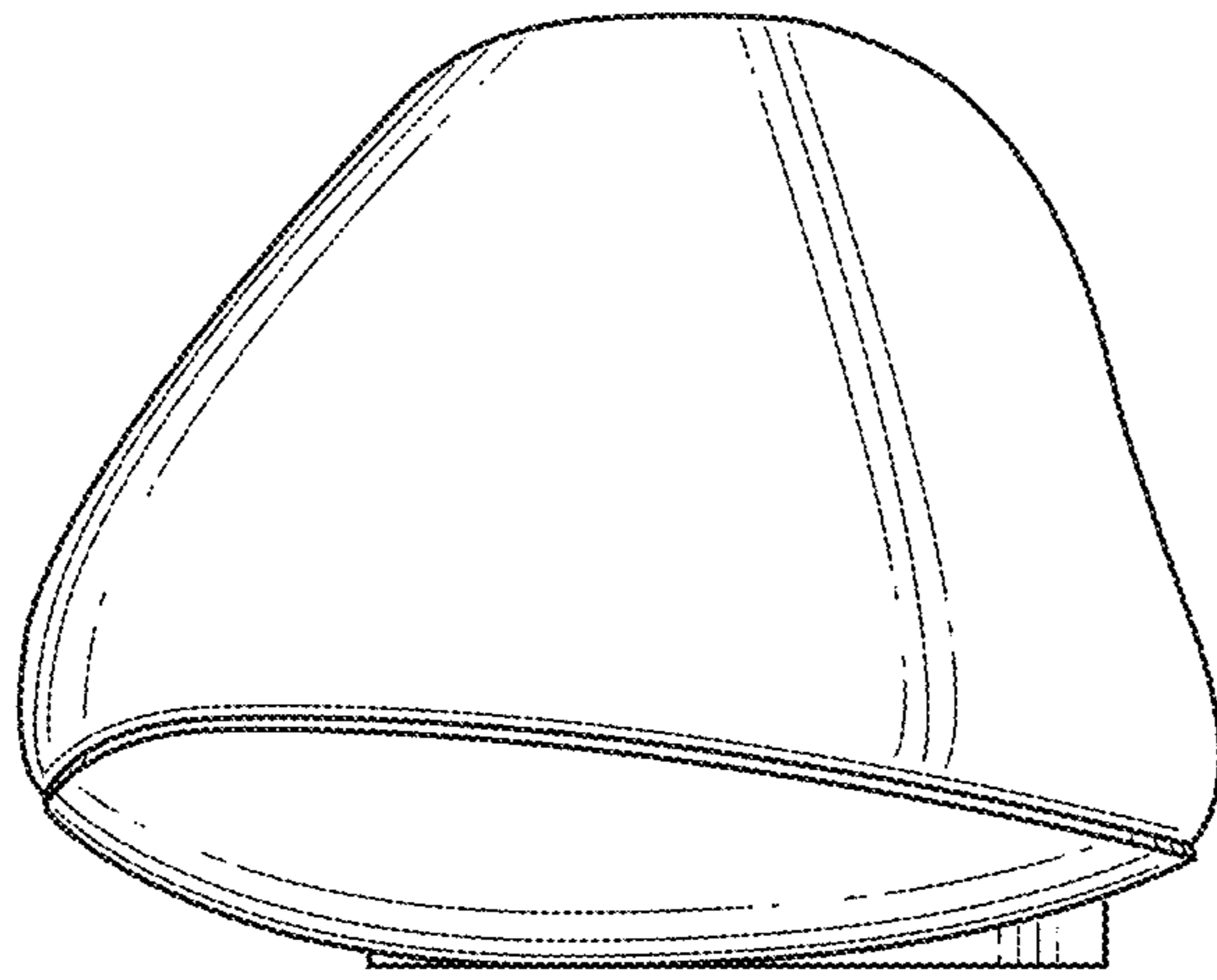


FIG. 6

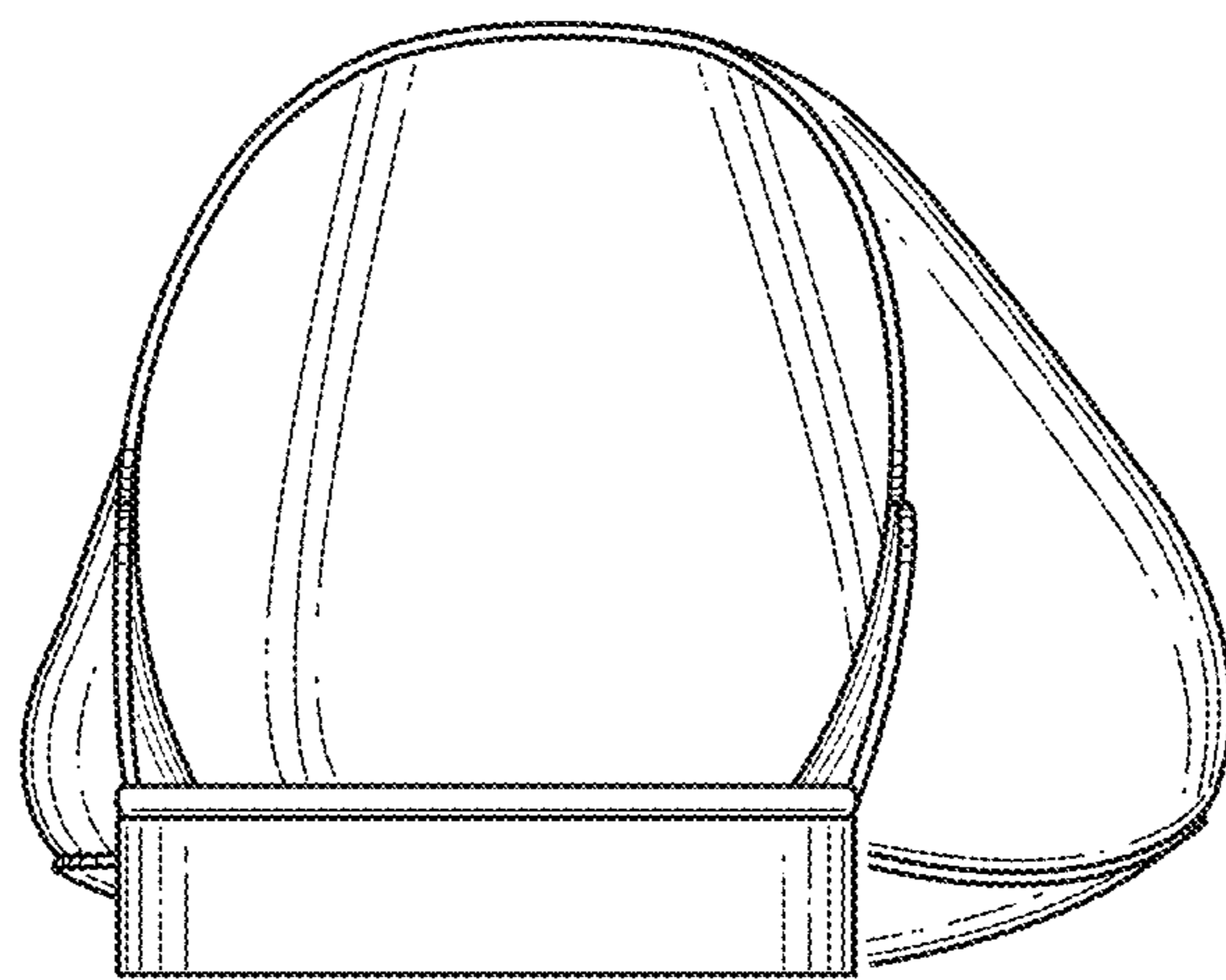


FIG. 7