



US00D828981S

(12) **United States Design Patent**  
**Olsen**

(10) **Patent No.:** **US D828,981 S**

(45) **Date of Patent:** **\*\* Sep. 25, 2018**

(54) **BOOT**

D257,622 S \* 12/1980 Eskelsen ..... D2/921  
D558,965 S \* 1/2008 Andersen ..... D2/921  
D602,682 S \* 10/2009 Joules ..... D2/910

(71) Applicant: **TR Apparel, LLC**, New York, NY  
(US)

\* cited by examiner

(72) Inventor: **Mary-Kate Olsen**, New York, NY (US)

*Primary Examiner* — Holly H Baynham  
*Assistant Examiner* — Rashida C Walshon

(73) Assignee: **TR APPAREL, LLC**, New York, NY  
(US)

(74) *Attorney, Agent, or Firm* — Sheppard Mullin Richter  
& Hampton LLP; Jonathan A. Marina

(\*\*) Term: **15 Years**

(57) **CLAIM**

I claim the ornamental design for a boot, as shown and described.

(21) Appl. No.: **29/609,562**

**DESCRIPTION**

(22) Filed: **Jun. 30, 2017**

(51) **LOC (11) Cl.** ..... **02-04**

(52) **U.S. Cl.**  
USPC ..... **D2/909**

(58) **Field of Classification Search**  
USPC ..... D2/896, 900, 909–911, 943, 946, 969,  
D2/970, 974  
CPC .. A43B 7/12; A43B 5/004; A43B 3/02; A43B  
23/02  
See application file for complete search history.

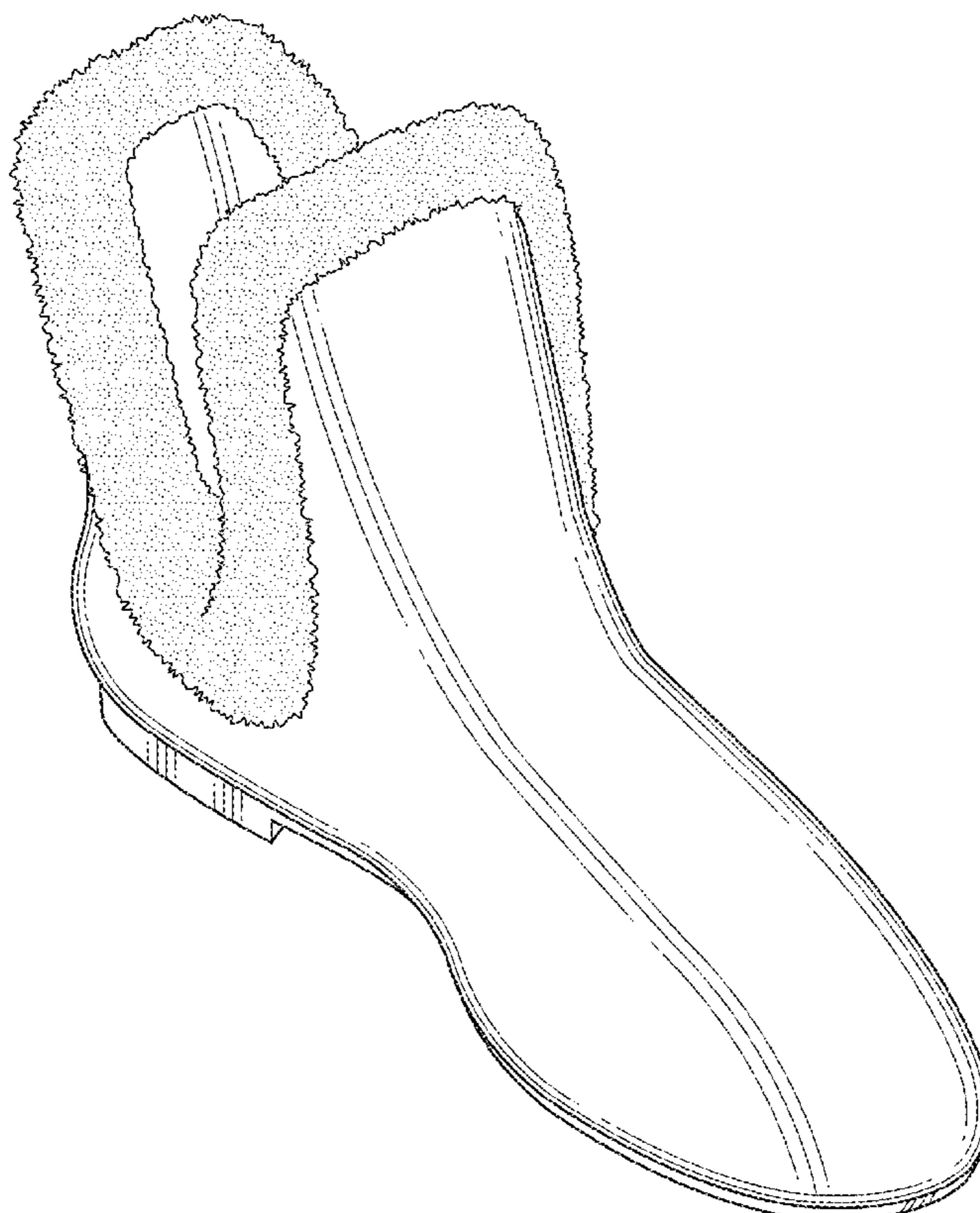
FIG. 1 is a top, right, and front side perspective view of an ornamental design for a boot;  
FIG. 2 is a left side elevational view of the boot of FIG. 1;  
FIG. 3 is a right side elevational view thereof;  
FIG. 4 is a top plan view thereof;  
FIG. 5 is a bottom plan view thereof;  
FIG. 6 is a front side elevational view thereof;  
FIG. 7 is a rear side elevational view thereof; and  
FIG. 8 is a top, right, and front side perspective view of another embodiment of an ornamental design for a boot;  
FIG. 9 is a left side elevational view of the boot of FIG. 8; and,  
FIG. 10 is a right side elevational view thereof.  
The broken line showings of the boot form no part of the claimed design.

(56) **References Cited**

**U.S. PATENT DOCUMENTS**

D127,604 S \* 6/1941 Rivkin ..... D2/900  
D147,995 S \* 11/1947 Silver ..... D2/921  
D159,761 S \* 8/1950 Stromberg ..... D2/910

**1 Claim, 9 Drawing Sheets**



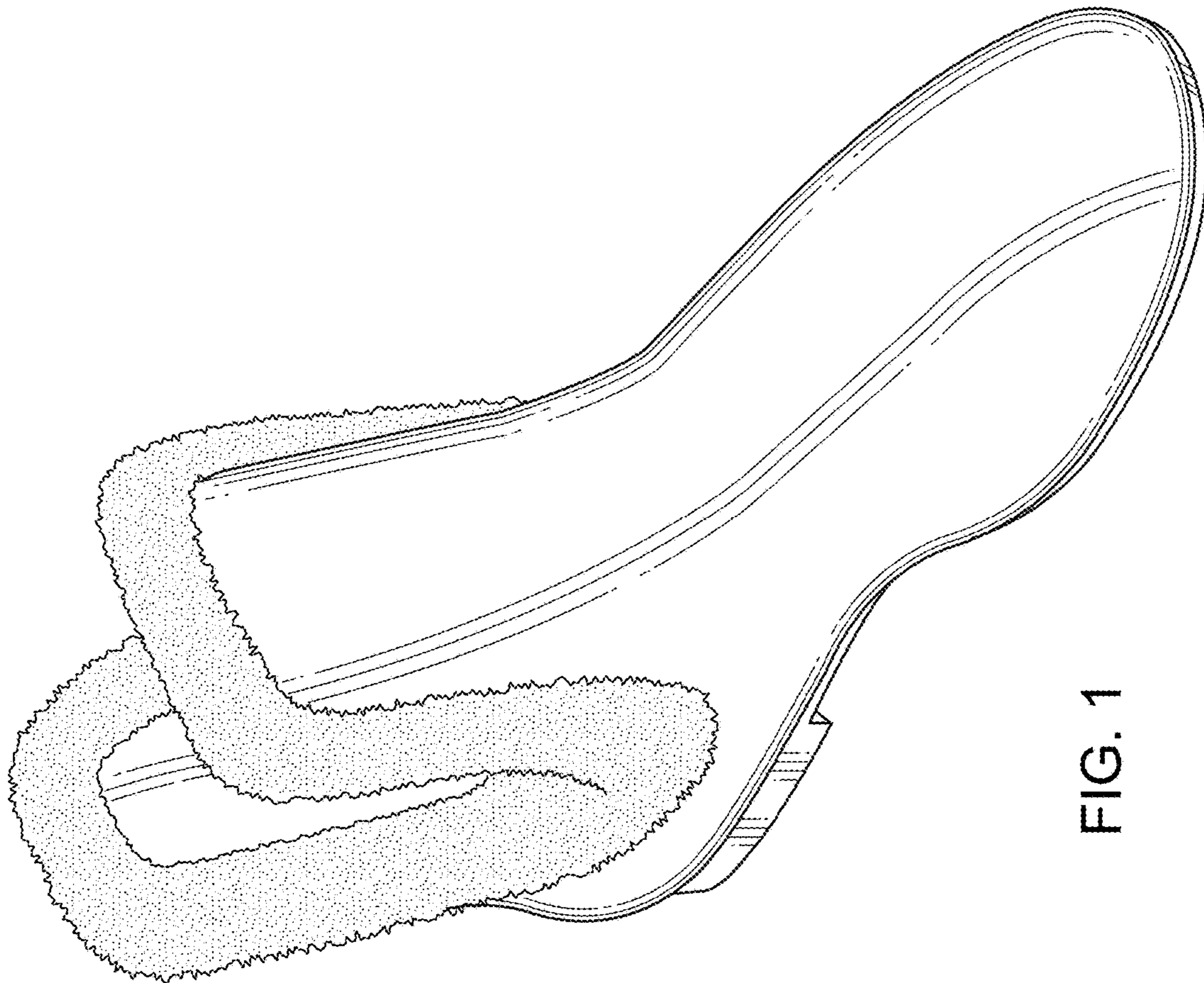


FIG. 1

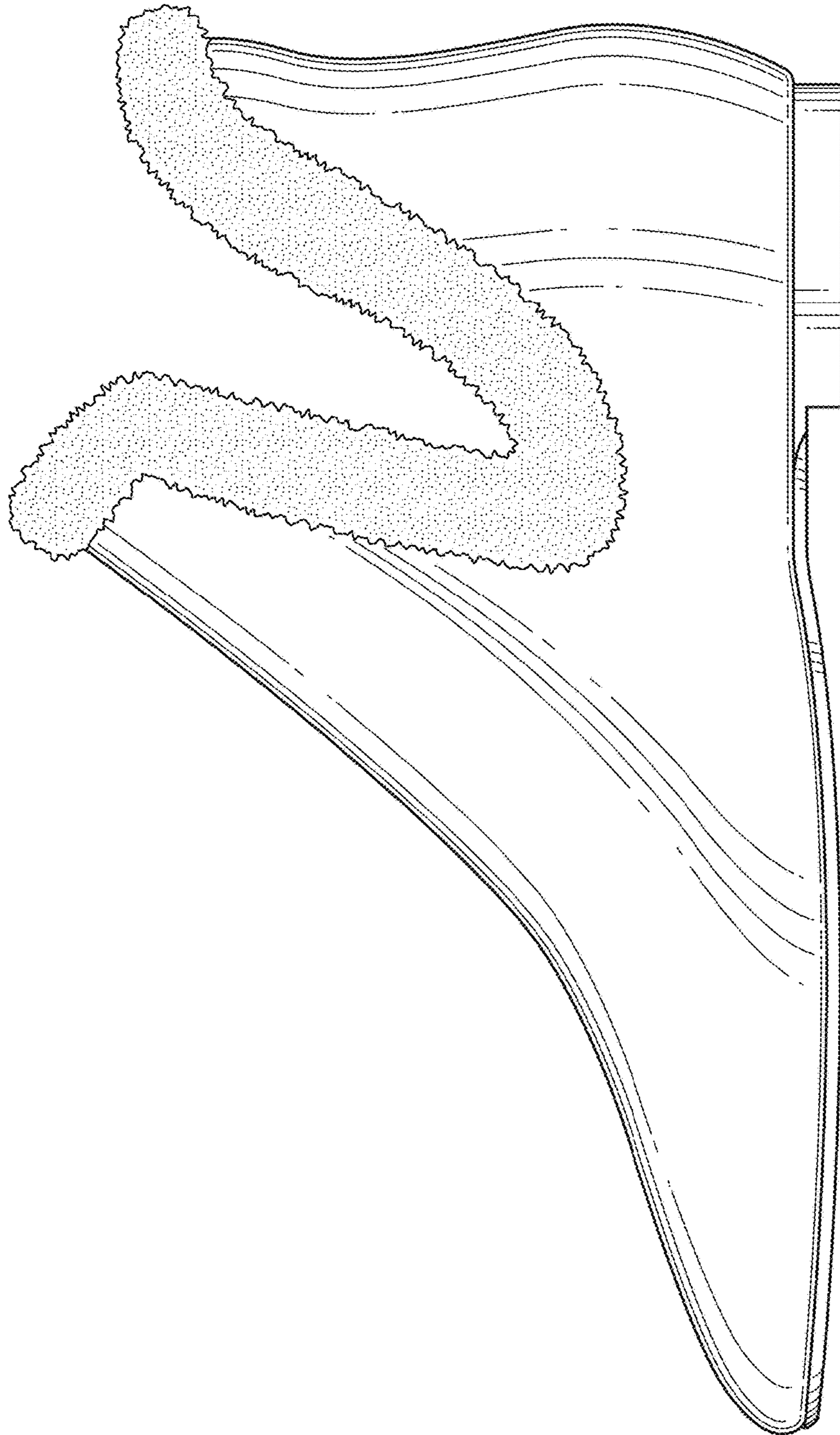


FIG. 2



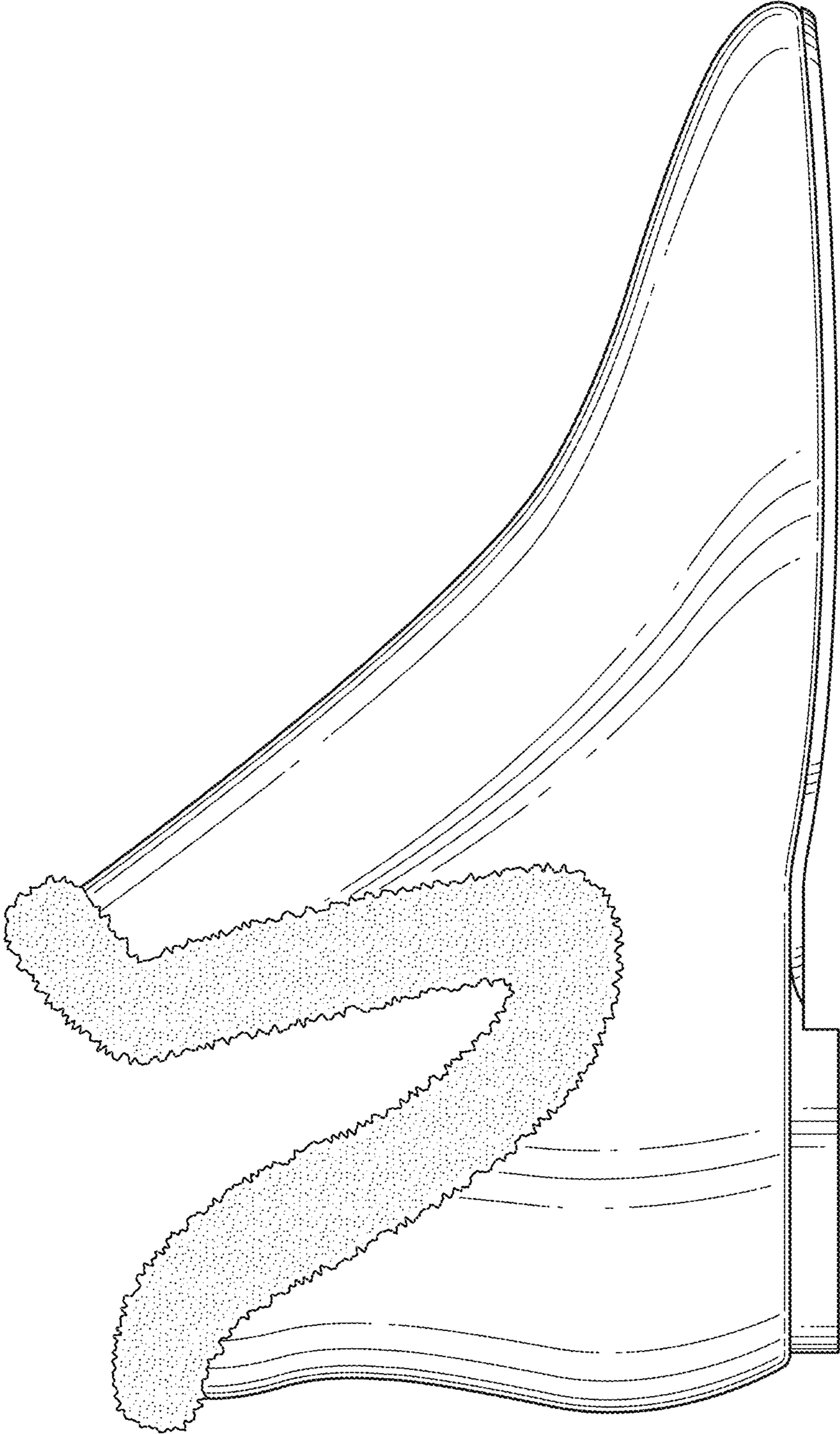


FIG. 3

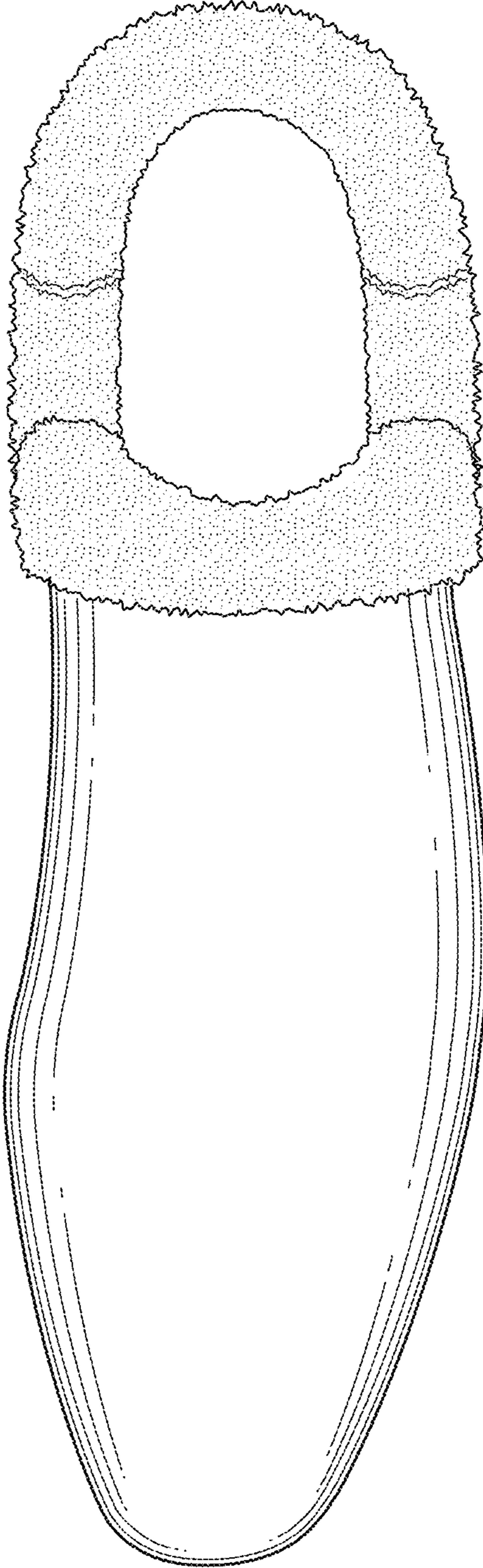


FIG. 4

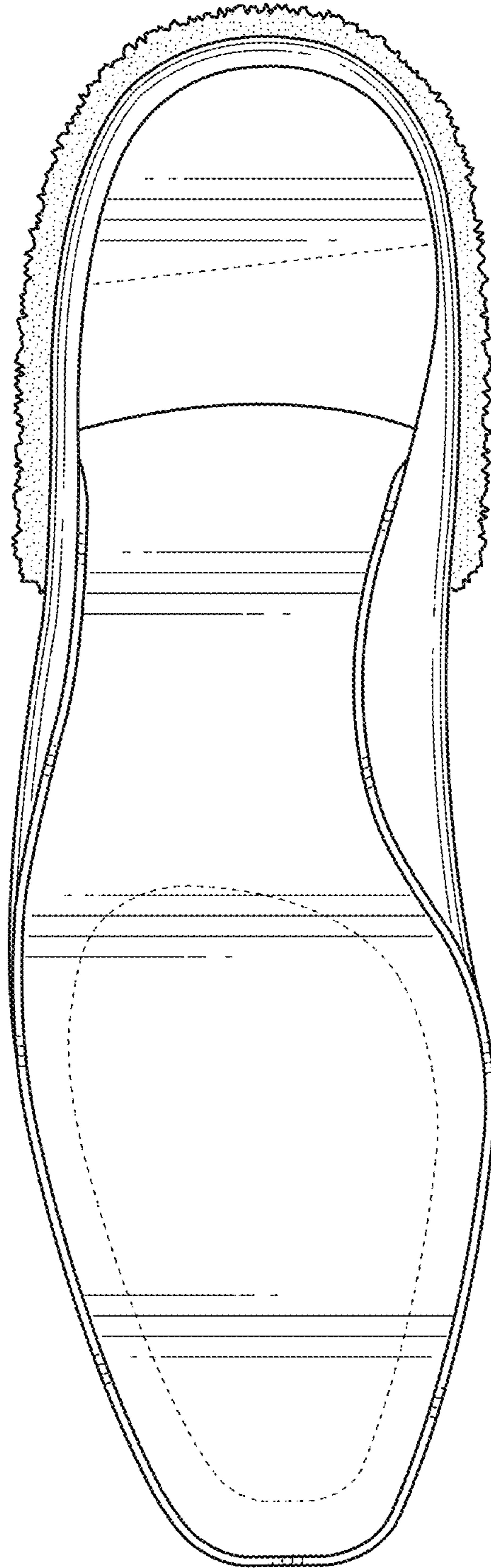


FIG. 5

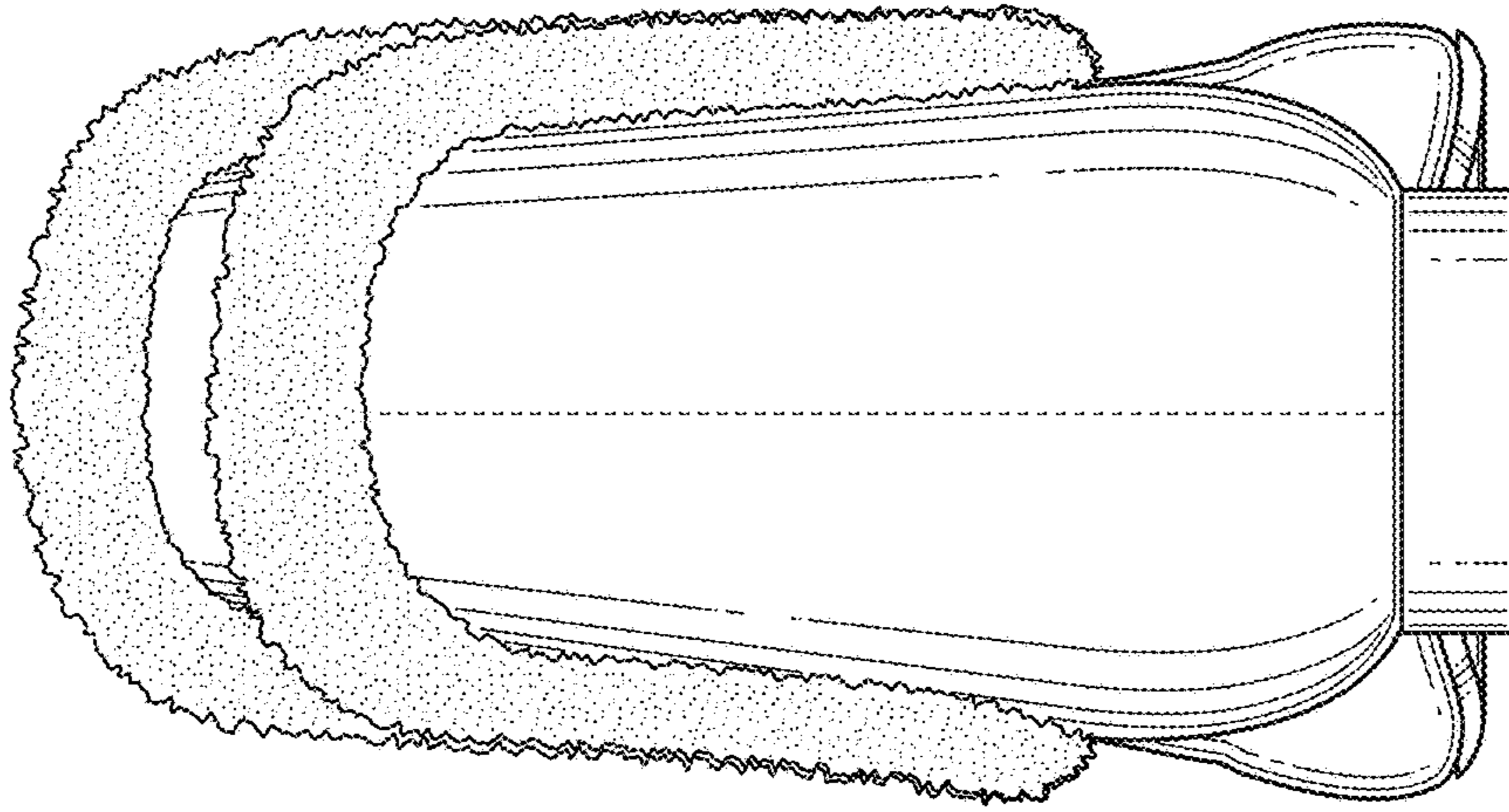


FIG. 7

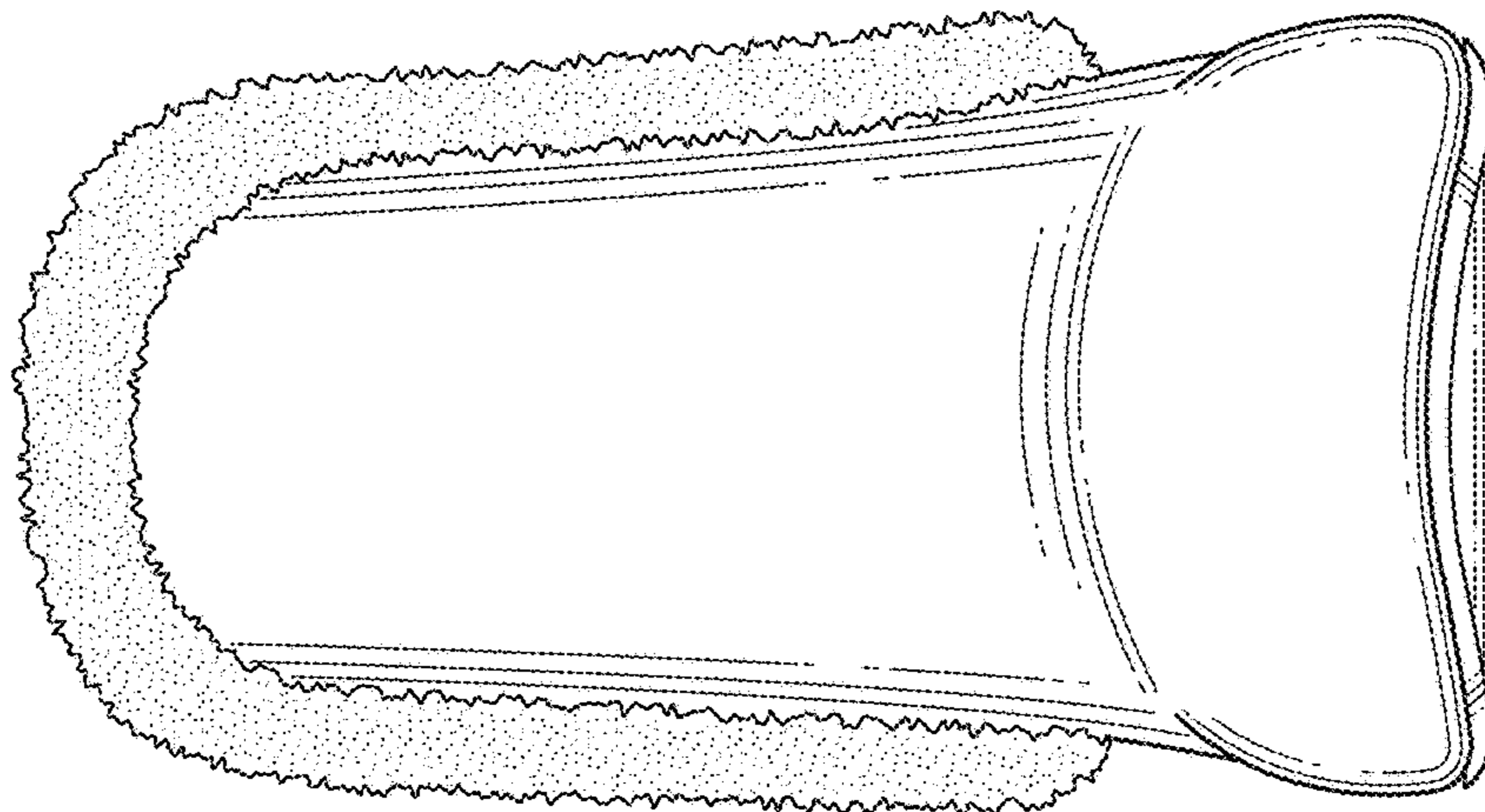


FIG. 6

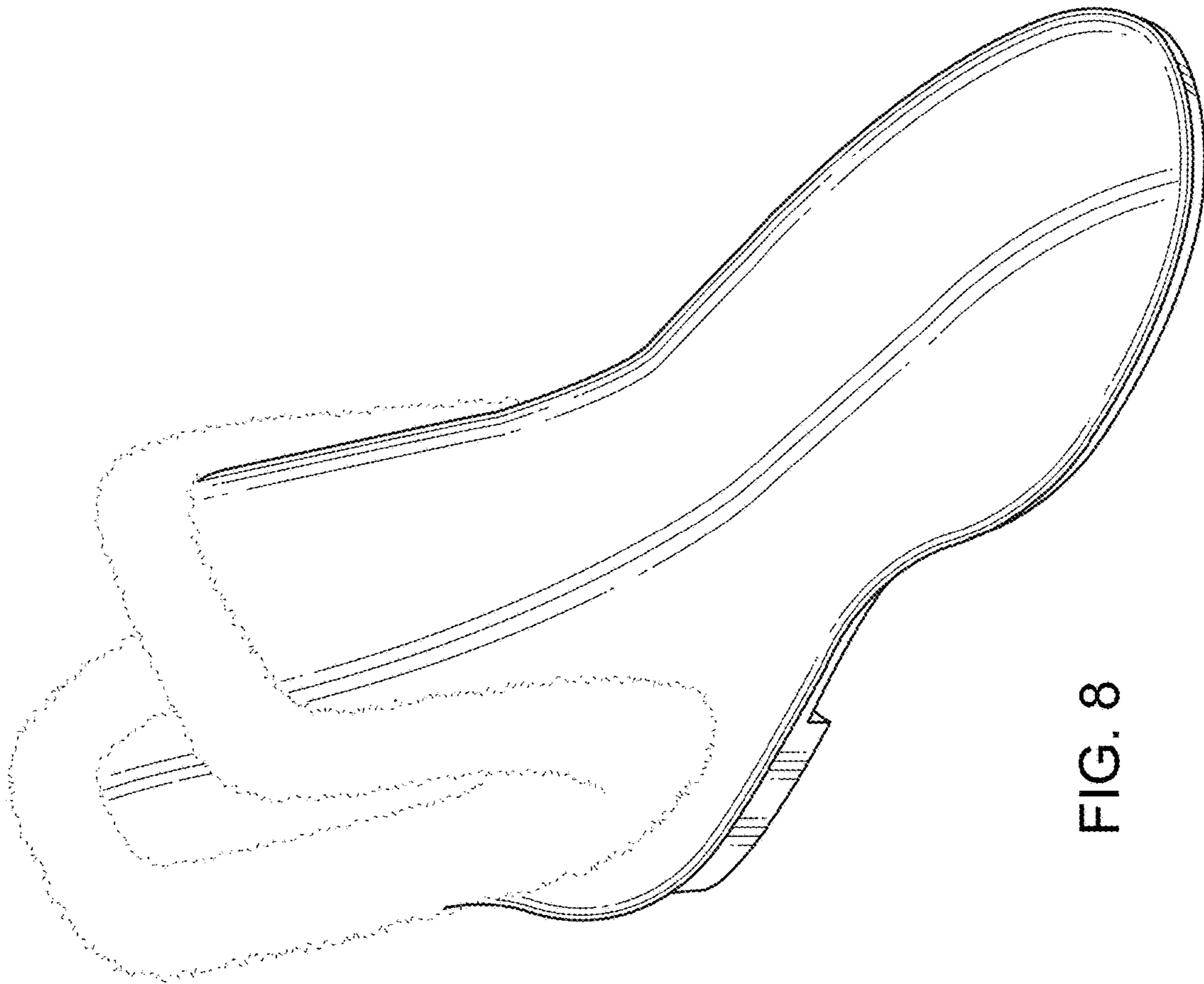


FIG. 8



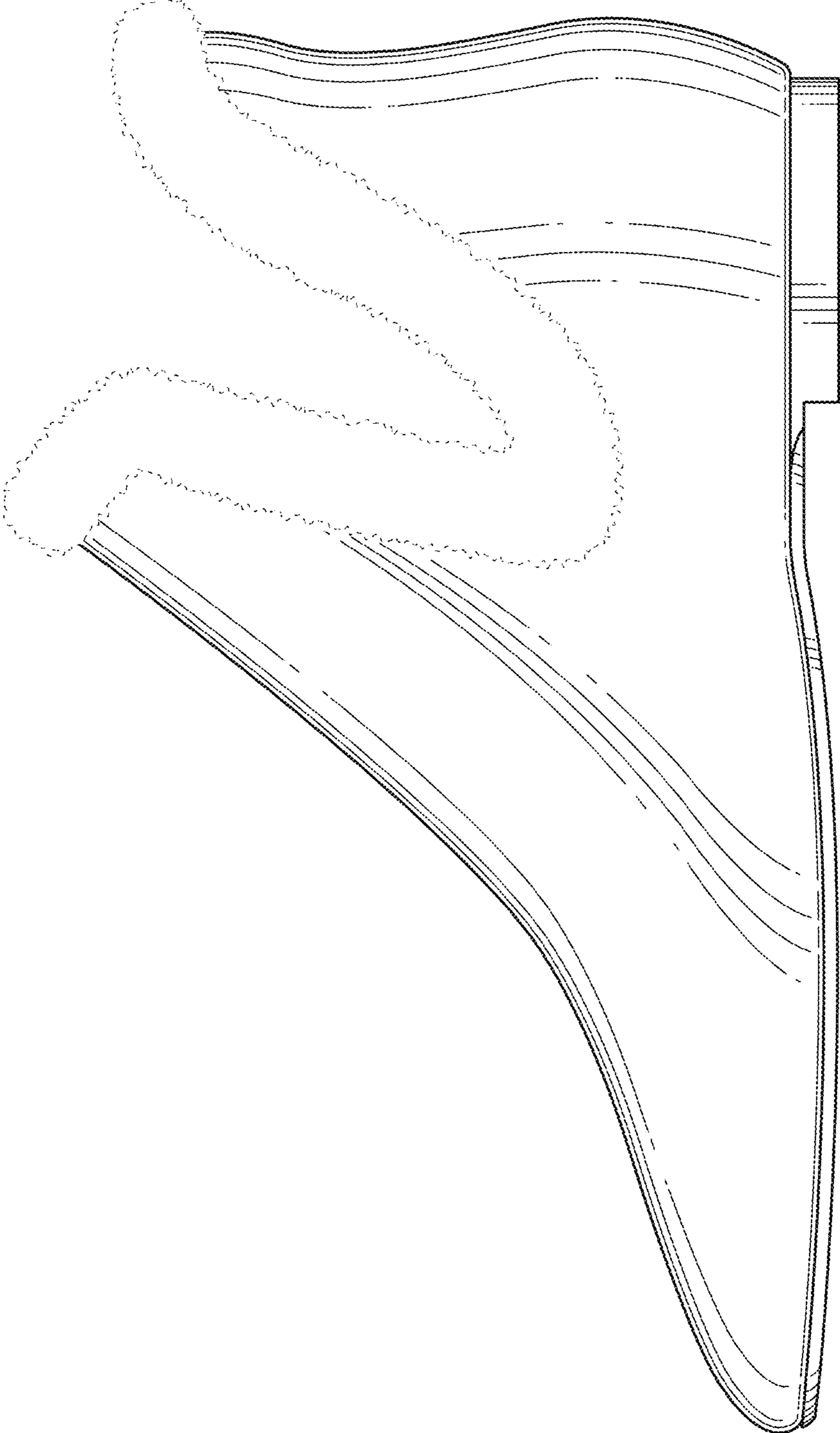


FIG. 9

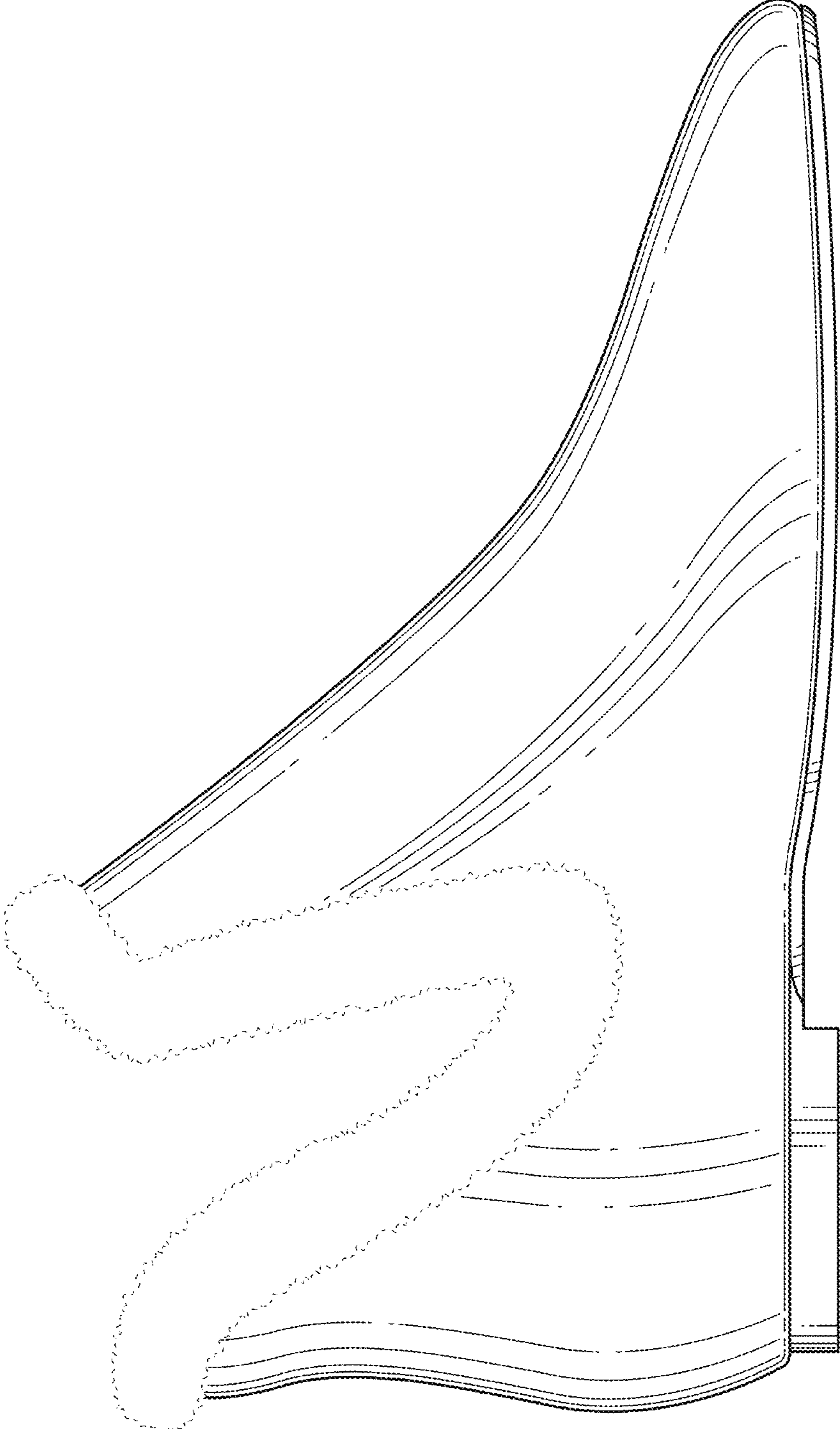


FIG. 10