



US00D828980S

(12) **United States Design Patent**
Yim

(10) **Patent No.:** **US D828,980 S**

(45) **Date of Patent:** **** Sep. 25, 2018**

(54) **HAT**

(71) Applicant: **Hyo Jeong Yim**, Palisades Park, NJ
(US)

(72) Inventor: **Hyo Jeong Yim**, Palisades Park, NJ
(US)

(**) Term: **15 Years**

(21) Appl. No.: **29/596,530**

(22) Filed: **Mar. 9, 2017**

(51) **LOC (11) Cl.** **02-03**

(52) **U.S. Cl.**
USPC **D2/882; D2/879**

(58) **Field of Classification Search**
USPC D2/865, 869, 870, 872, 879, 882, 883,
D2/889, 891, 895
CPC .. A42B 1/00; A42B 1/004; A42B 1/02; A42B
1/04; A42B 1/041; A42B 1/062; A42B
1/225; A42B 1/248; A42C 5/00
See application file for complete search history.

(56) **References Cited**

U.S. PATENT DOCUMENTS

3,169,252	A *	2/1965	Goldstein	A42B 1/046 2/203
D278,381	S *	4/1985	Saari	446/220
D423,196	S *	4/2000	White	D2/882
D482,849	S *	12/2003	Mansell	D2/871
D518,943	S *	4/2006	Levinson	D2/879
D535,460	S *	1/2007	Ortley	D2/882
D579,179	S *	10/2008	Childress	D2/882
D593,284	S *	2/2009	Wymer	D2/879
D675,403	S *	2/2013	McGoogan	D2/878
D693,099	S *	11/2013	Purdy	D2/882

D717,023	S *	11/2014	Fisher	D2/882
2011/0173739	A1 *	7/2011	Riesen	A42B 1/225 2/209.3
2017/0188644	A1 *	7/2017	Foresta	A42B 1/041

OTHER PUBLICATIONS

365 Knit CC Beanie Tail Cap, [on-line]; [Internet publication date unknown]; [retrieved from the Internet on Mar. 7, 2018]; (2 pgs).*
Funky Junque CC 365 All Season Brim BeanieTail . . . [on-line]; [first available on the Internet on Mar. 30, 2017 (p. 3)]; [retrieved from the Internet on Mar. 7, 2018]; (9 pgs).*

* cited by examiner

Primary Examiner — Karen S Acker
Assistant Examiner — Jasmine Mlinarcik

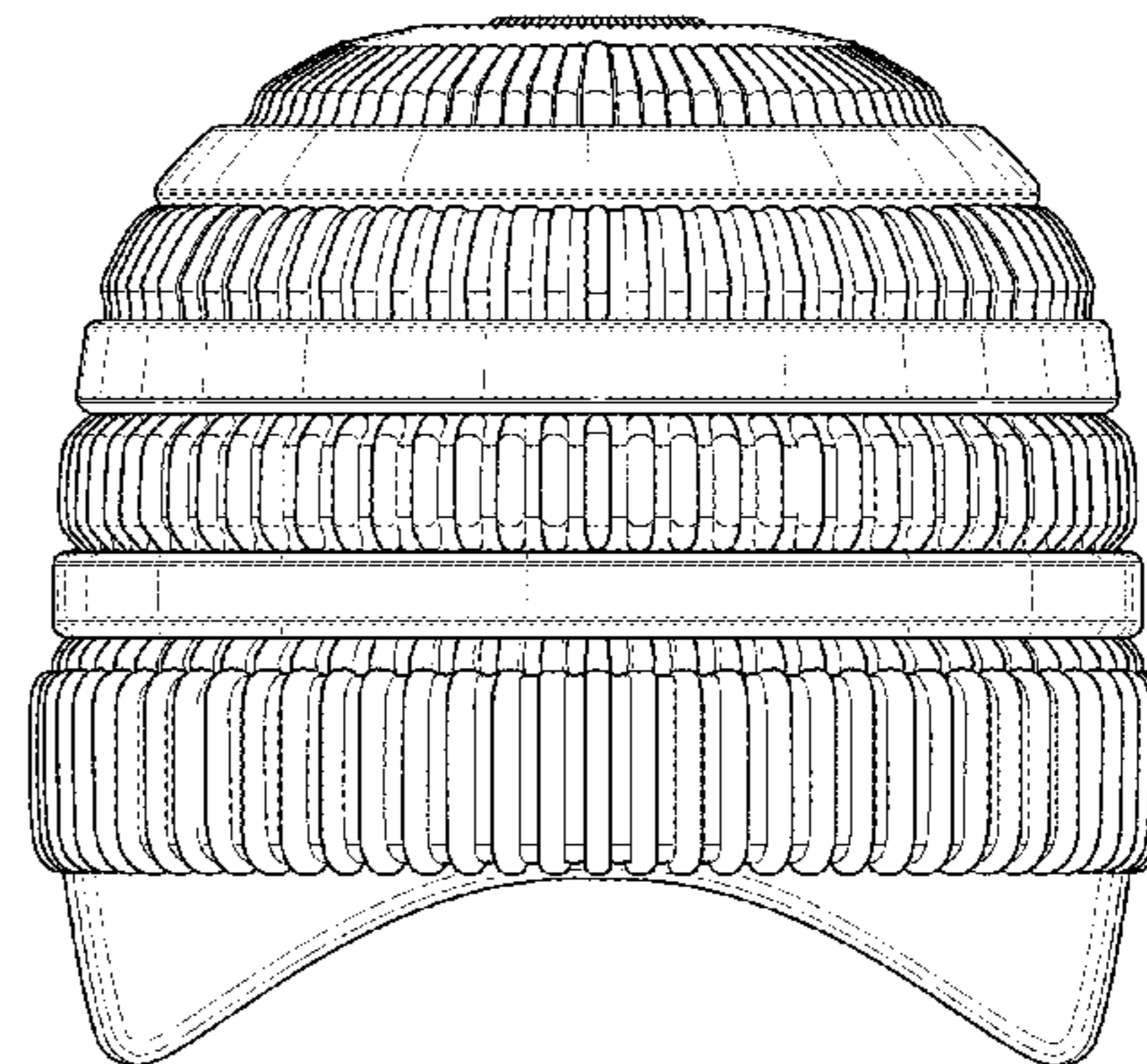
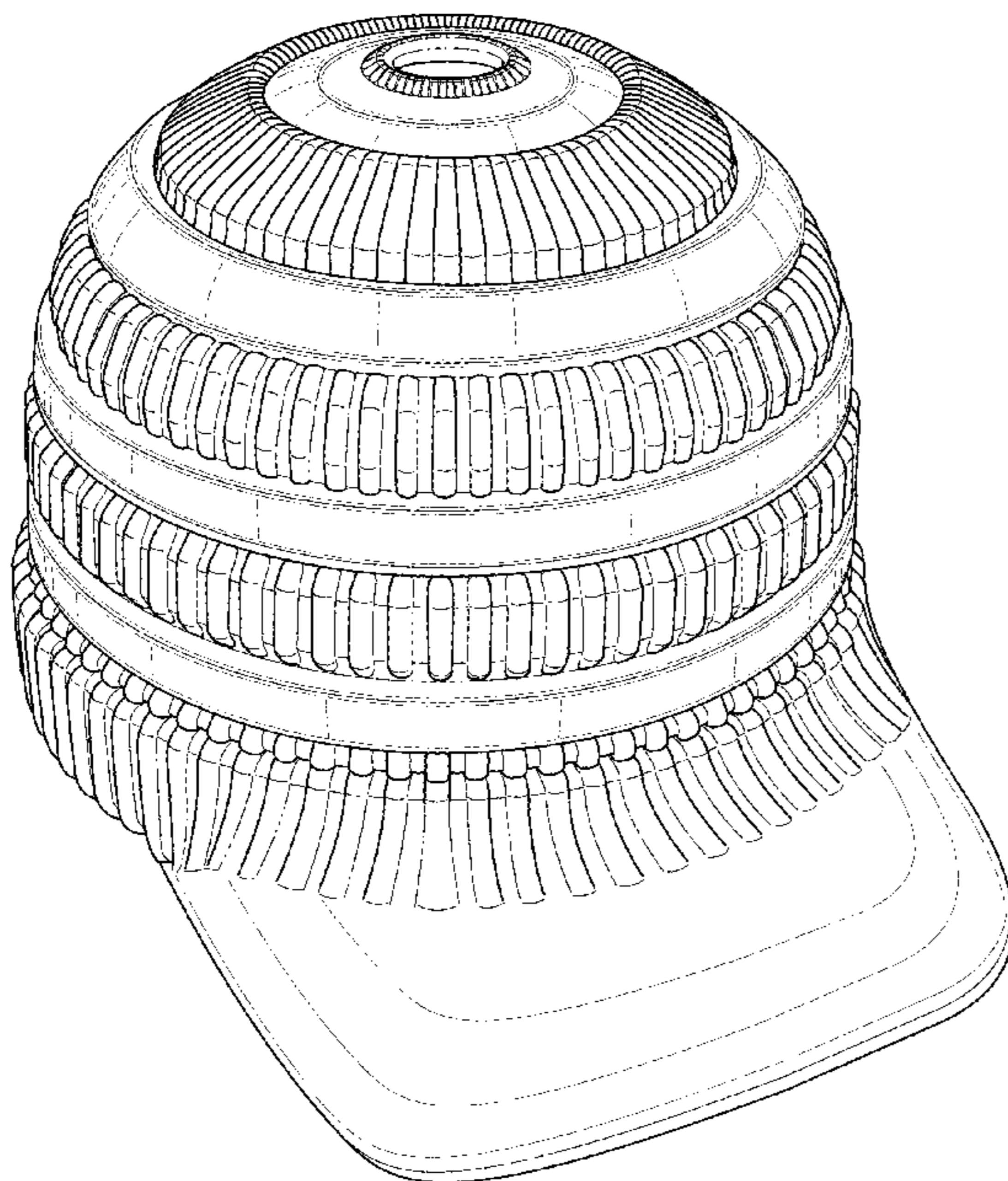
(57) **CLAIM**

The ornamental design for a hat, as shown and described.

DESCRIPTION

FIG. 1 is a front perspective view with an opening at the apex of the design;
FIG. 2 is a front view of the design;
FIG. 3 is a back side view of the design;
FIG. 4 is a right side view of the design;
FIG. 5 is a left side view of the design;
FIG. 6 is a top side view with an opening at the center of the design;
FIG. 7 is a bottom side view with an opening at the center of the design; and,
FIG. 8 is a rear perspective view.
The broken line description of the partial human figure in FIG. 8 shows the hat in a position of use and forms no part of the claimed design.

1 Claim, 8 Drawing Sheets



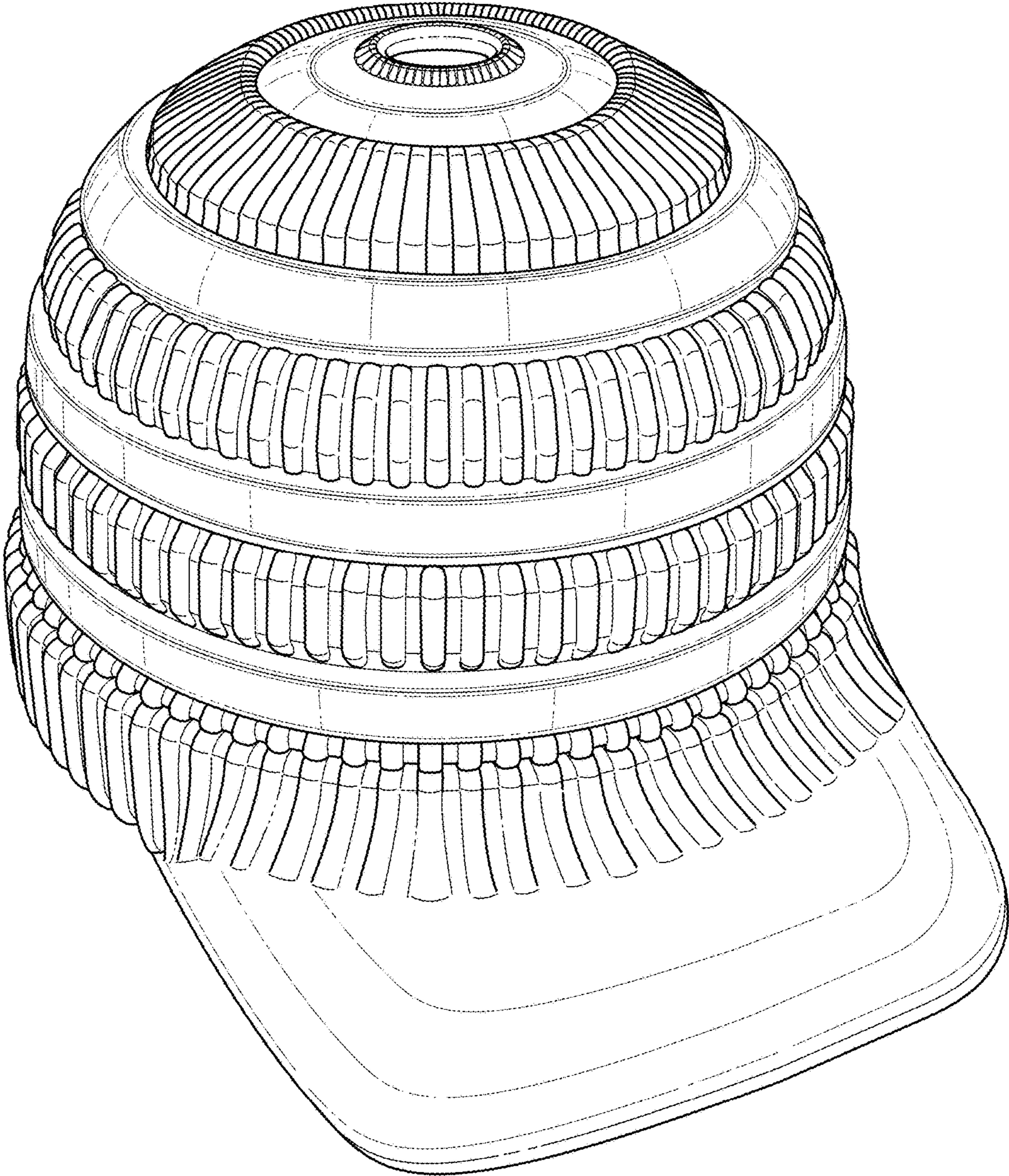


FIGURE 1

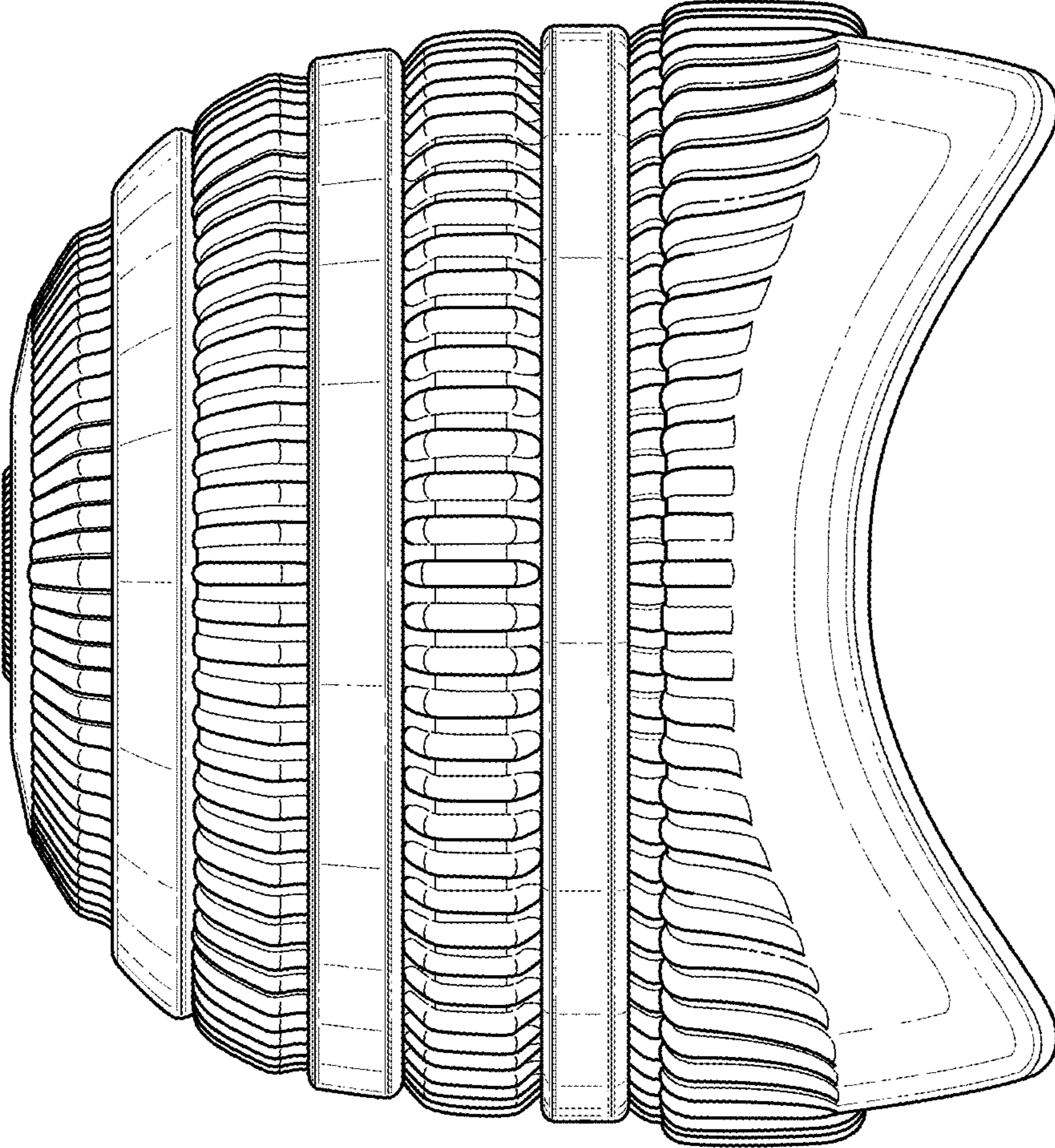


FIGURE 2

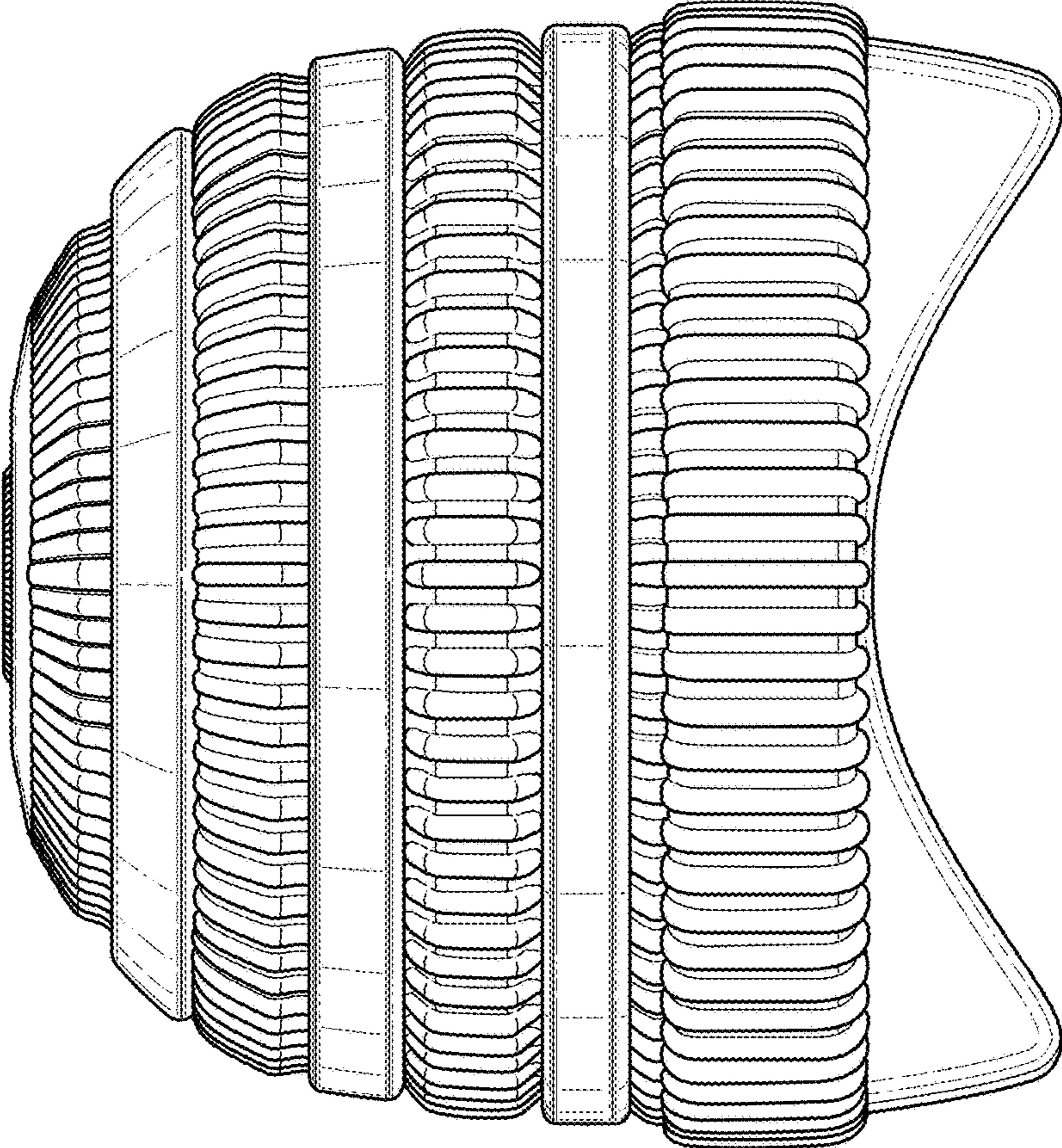


FIGURE 3

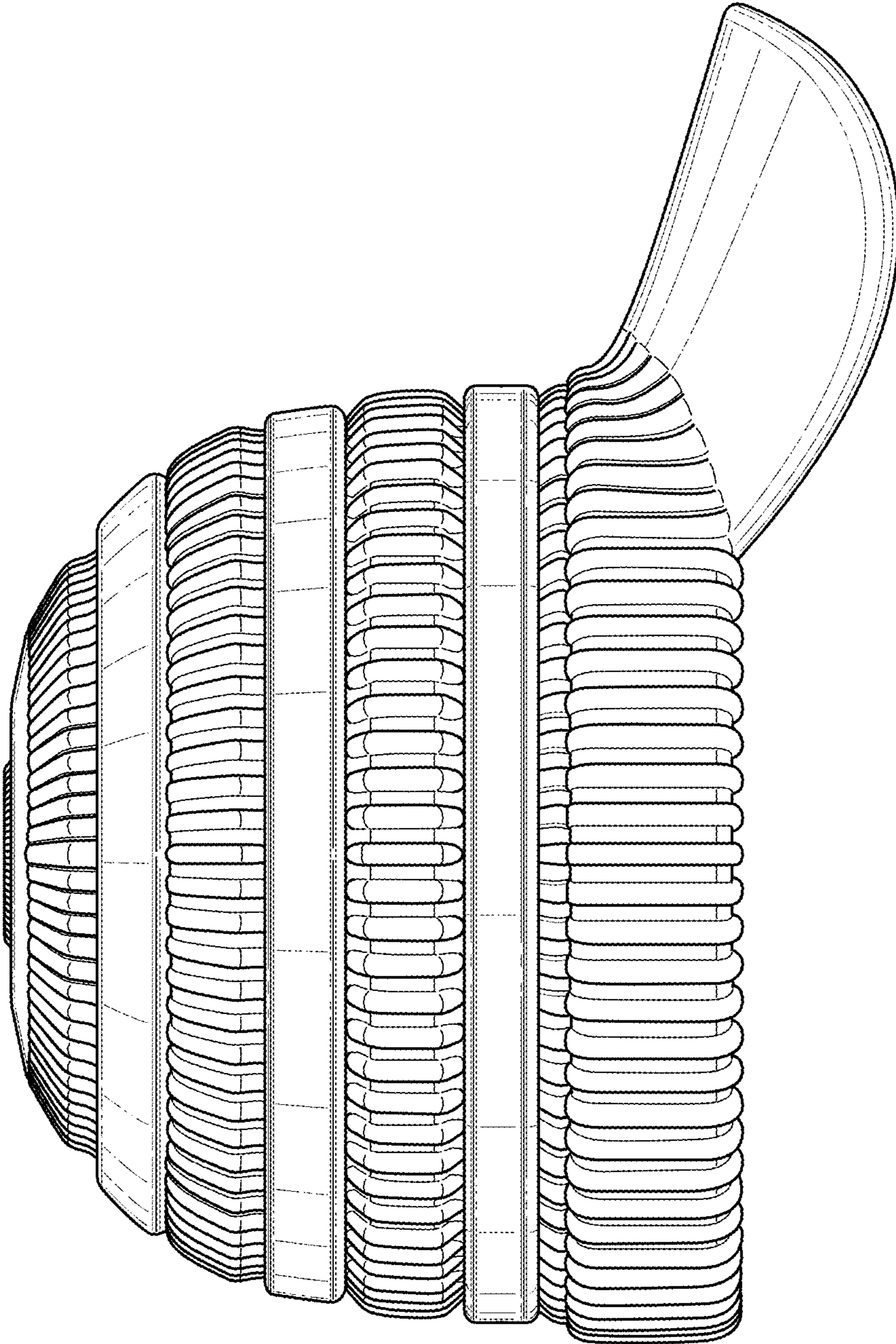


FIGURE 4

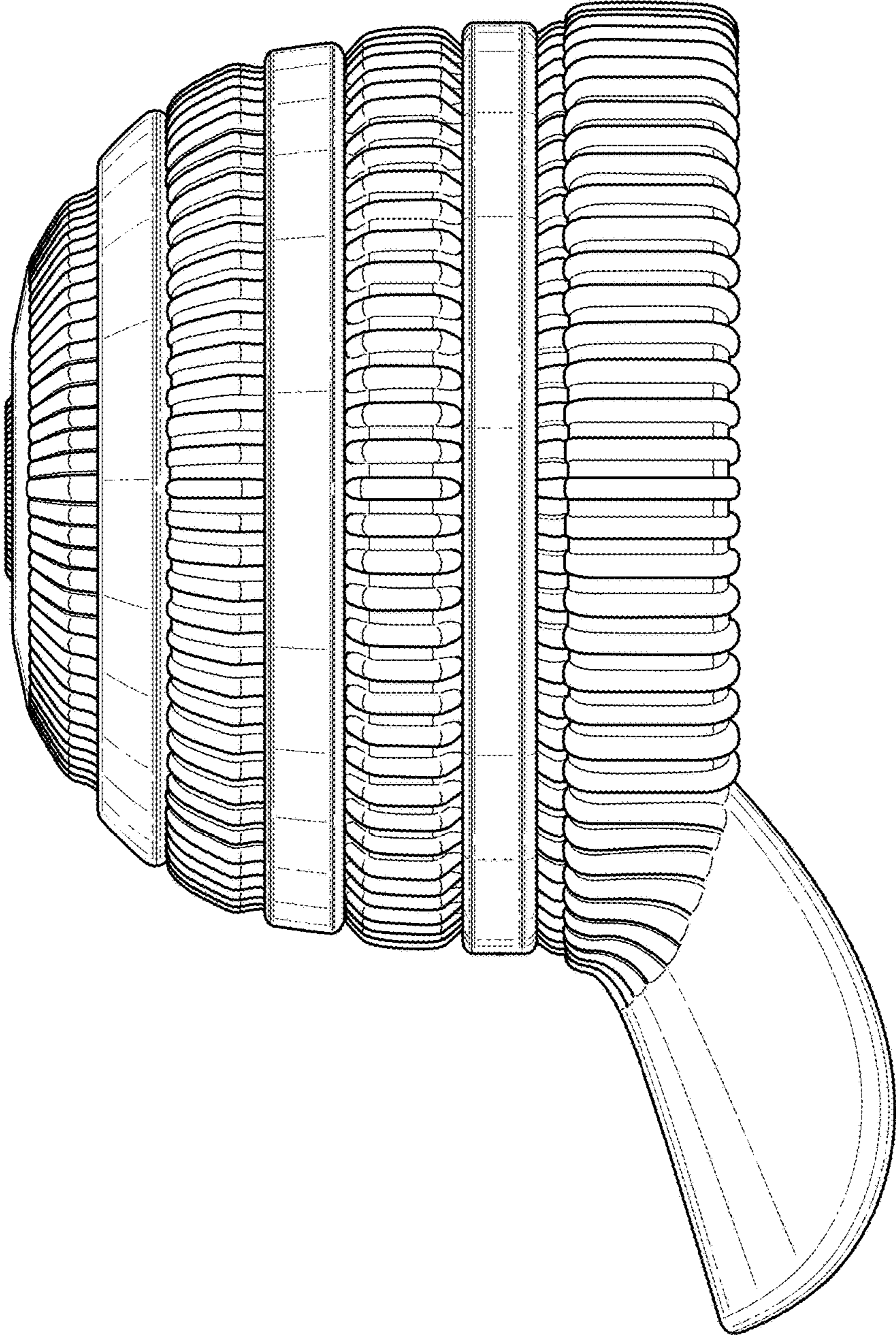


FIGURE 5

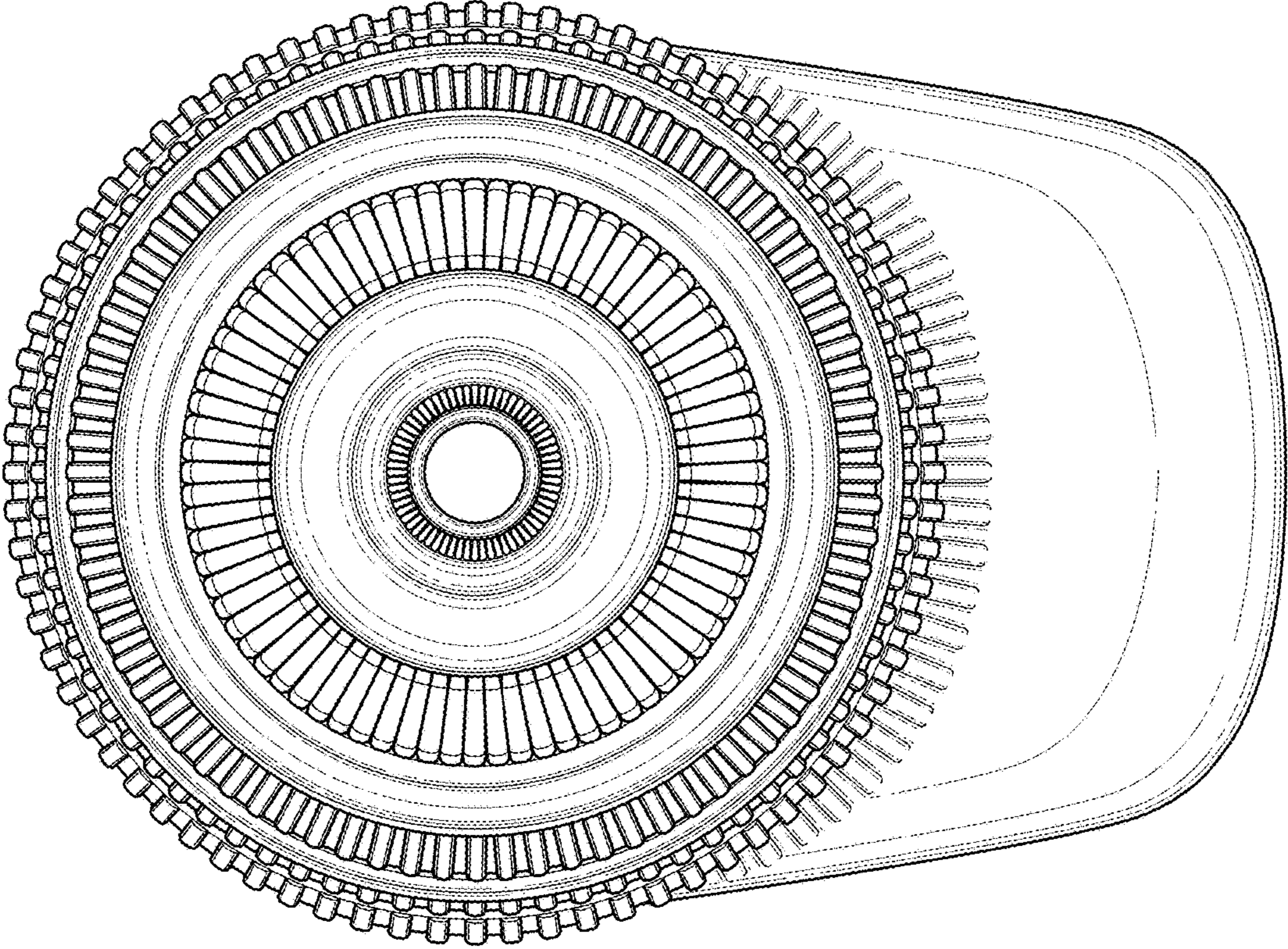


FIGURE 6

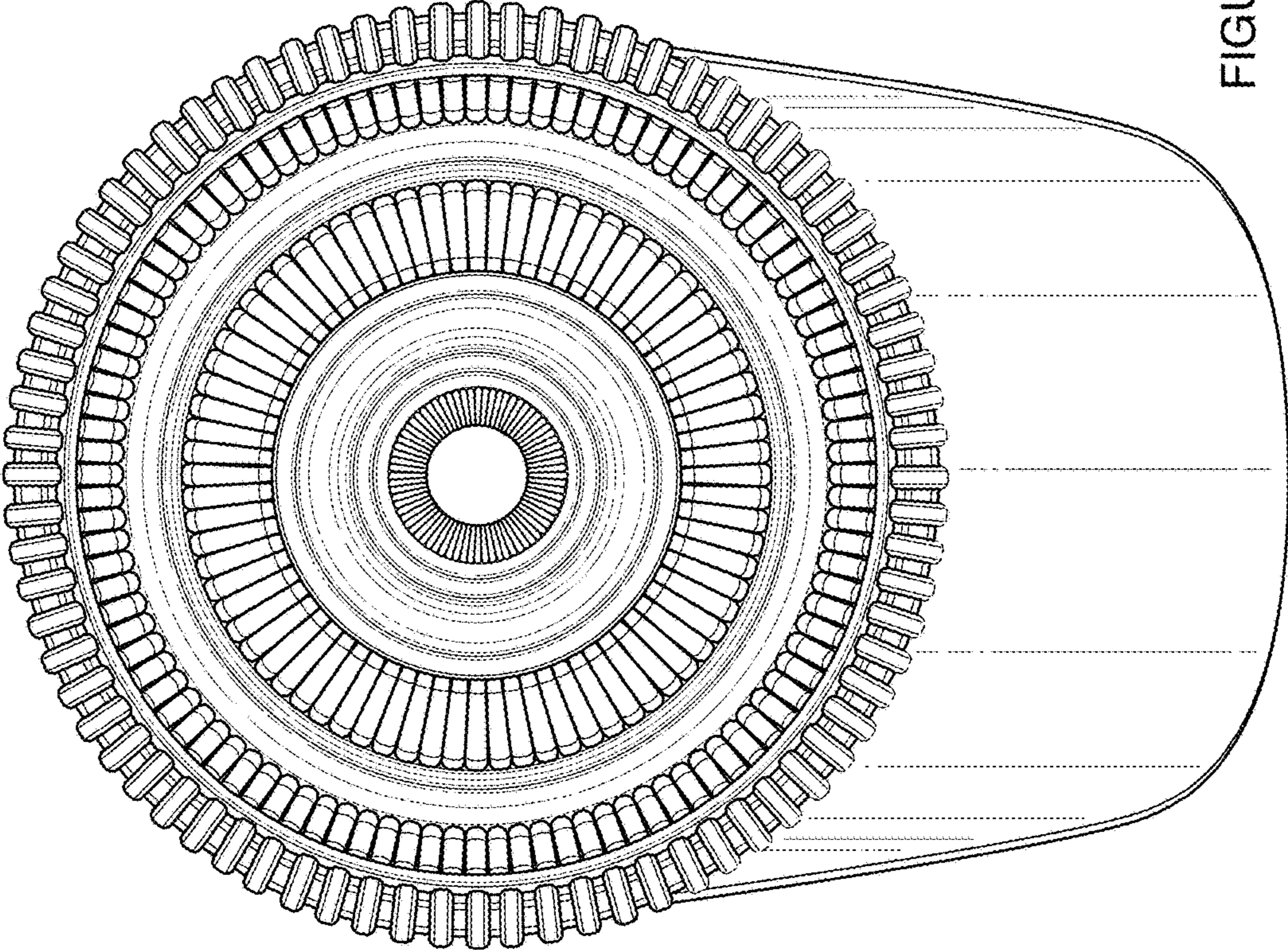


FIGURE 7

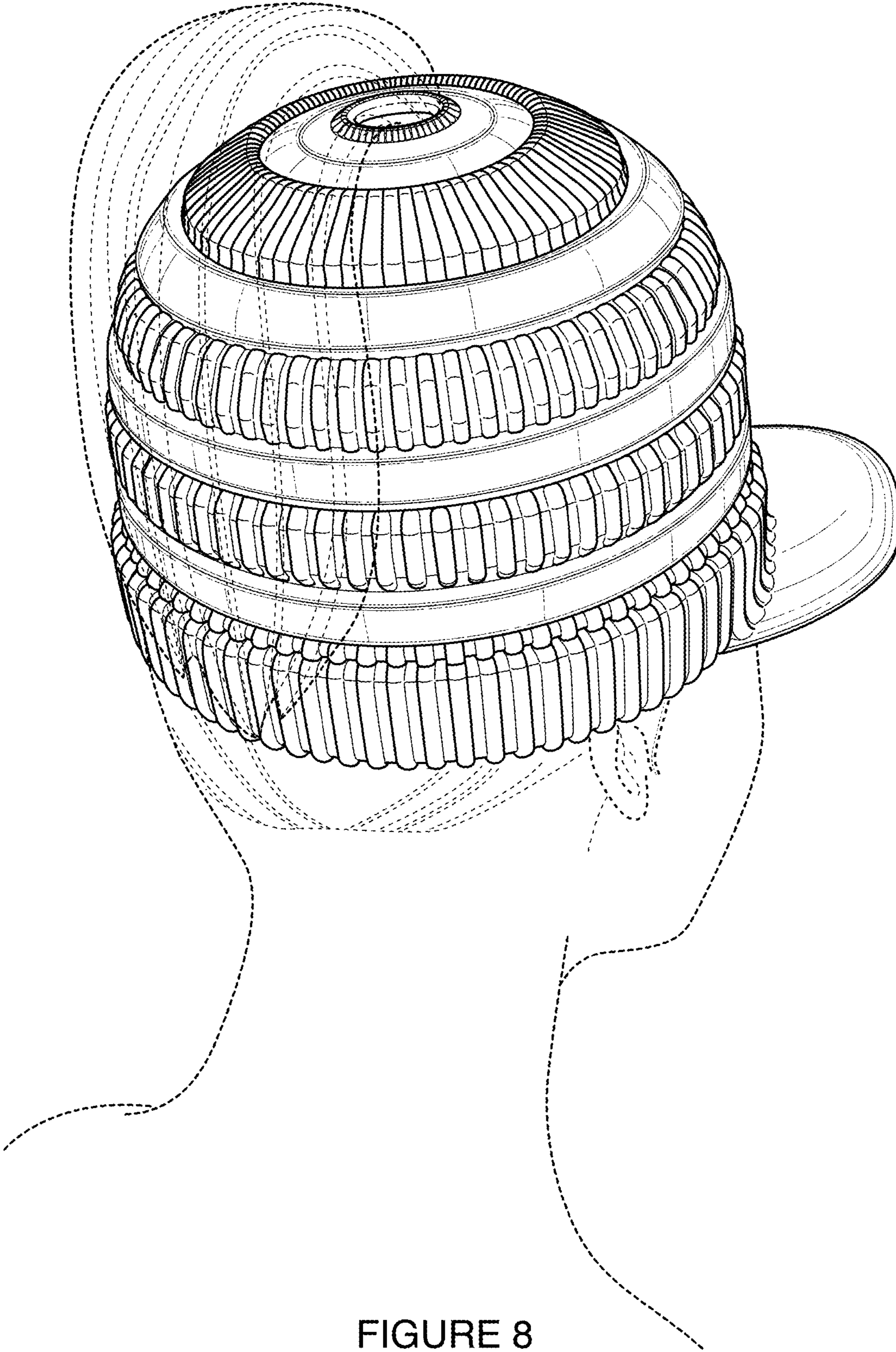


FIGURE 8