



US00D828979S

(12) **United States Design Patent**
Anderson et al.

(10) **Patent No.:** **US D828,979 S**

(45) **Date of Patent:** **** Sep. 25, 2018**

(54) **FOOTBALL PATTERNED CAP**

(71) Applicants: **Scott Matthew Anderson**, Edina, MN (US); **Trent David Berkness**, Eden Prairie, MN (US)

(72) Inventors: **Scott Matthew Anderson**, Edina, MN (US); **Trent David Berkness**, Eden Prairie, MN (US)

(**) Term: **15 Years**

(21) Appl. No.: **29/583,861**

(22) Filed: **Nov. 9, 2016**

(51) **LOC (11) Cl.** **02-03**

(52) **U.S. Cl.**
USPC **D2/872**

(58) **Field of Classification Search**
USPC D2/865, 866, 869, 870, 872, 873, 878;
D29/102

CPC .. A42B 1/00; A42B 1/004; A42B 1/02; A42B 1/062; A42B 1/063; A42B 1/064; A42B 1/22; A42B 1/248

See application file for complete search history.

(56) **References Cited**

U.S. PATENT DOCUMENTS

D92,706 S * 7/1934 Dahlquist D2/869
D279,137 S * 6/1985 Sing D2/872

D292,342 S * 10/1987 Schlegel D2/872
D303,036 S * 8/1989 Giles D2/872
D396,136 S * 7/1998 Stein D2/865
D446,909 S * 8/2001 Colbert D2/882
D459,574 S * 7/2002 Schlegel D2/872
D507,923 S * 8/2005 Hathaway D2/872
D672,535 S * 12/2012 Phan D2/882
D675,812 S * 2/2013 Richards D2/882
D683,110 S * 5/2013 Smith D2/872
D700,745 S * 3/2014 Veasy D29/102
D756,611 S * 5/2016 Garden, Sr. D2/872

* cited by examiner

Primary Examiner — Karen S Acker

Assistant Examiner — Jasmine Mlinarcik

(57) **CLAIM**

The ornamental design for a football patterned cap, as shown and described.

DESCRIPTION

FIG. 1 is a perspective view of a football patterned cap; FIG. 2 is a front elevational view thereof; FIG. 3 is a left side elevational view thereof; FIG. 4 is a rear elevational view thereof; FIG. 5 is a right side elevational view thereof; and, FIG. 6 is a top plan view thereof.

1 Claim, 6 Drawing Sheets



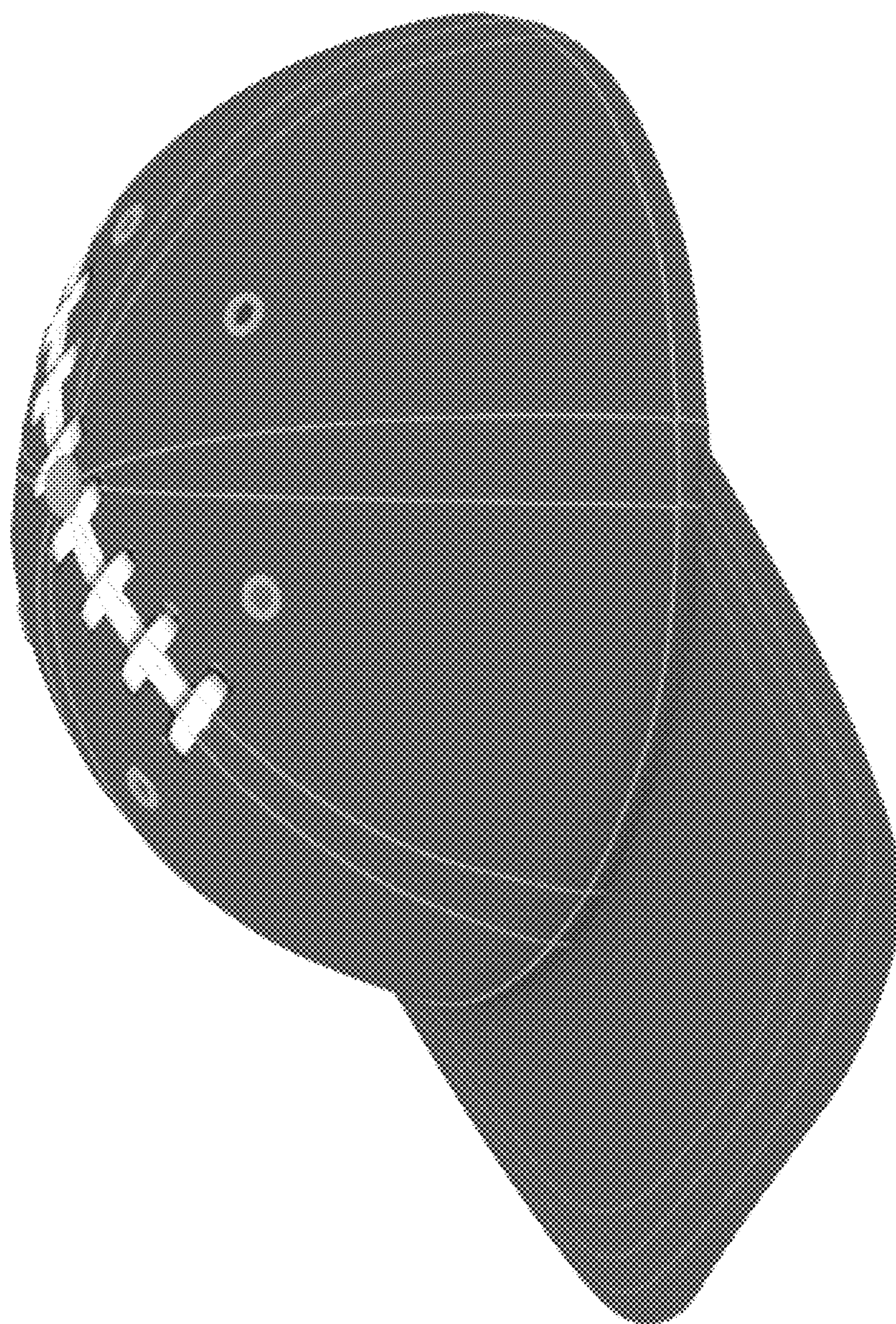


FIG. 1

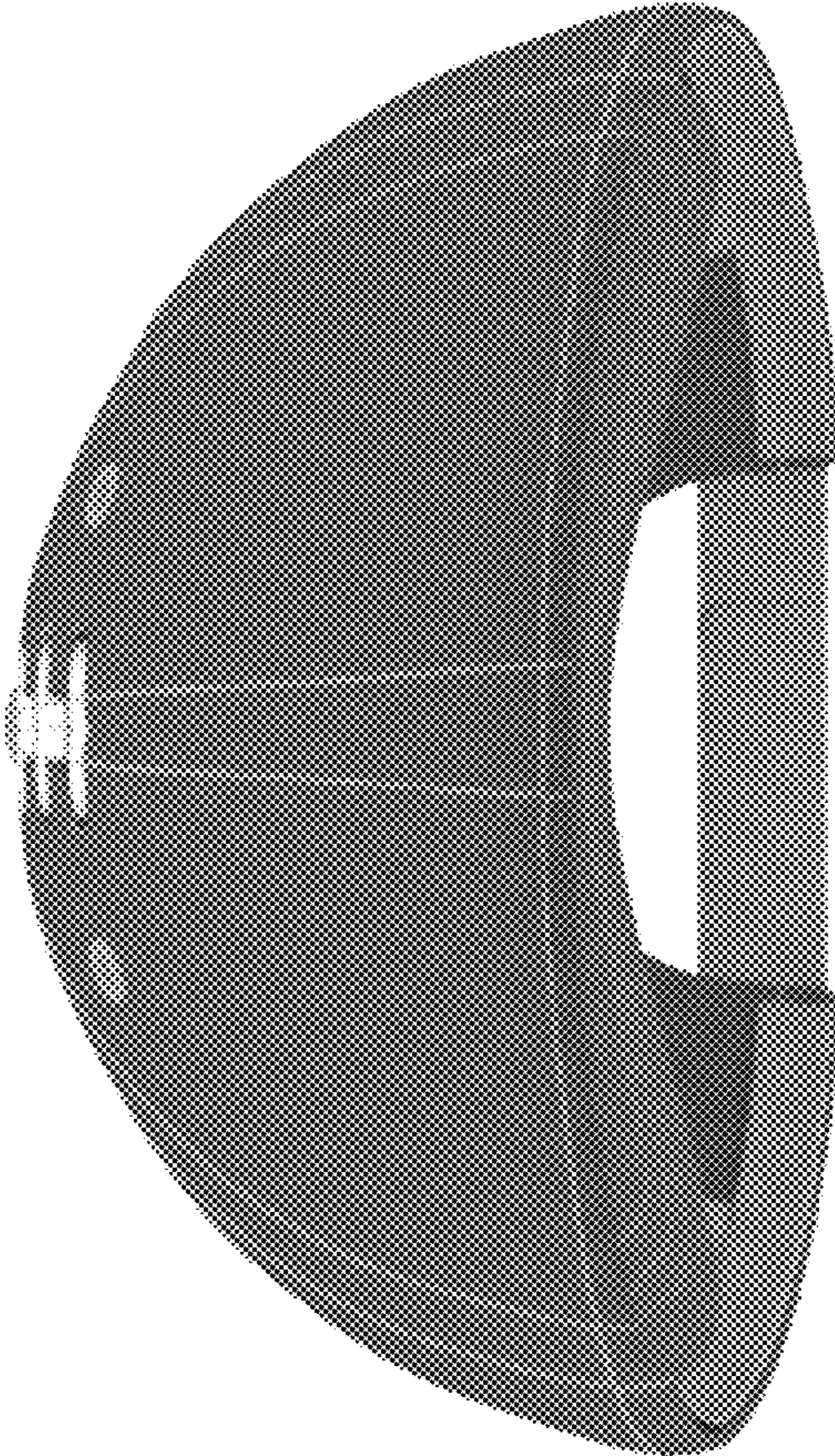


FIG. 2

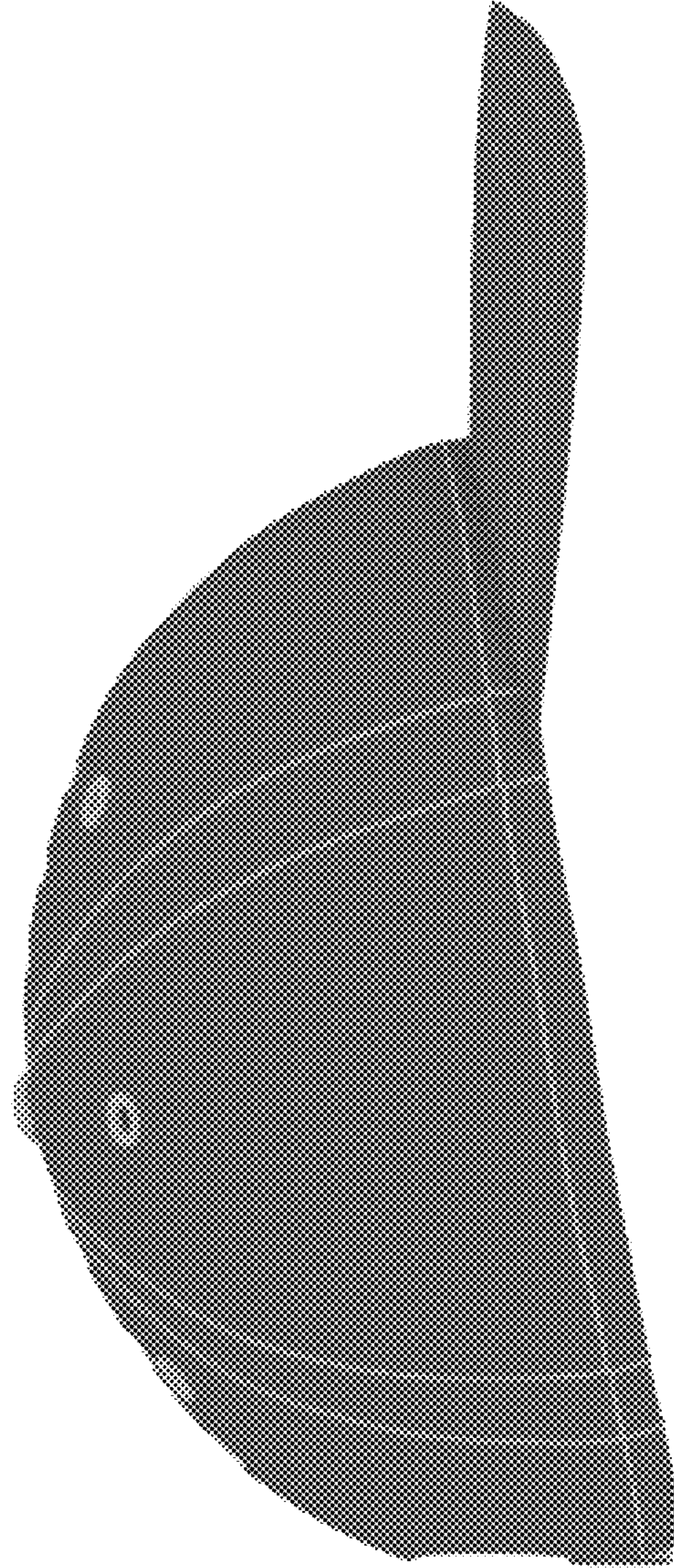


FIG. 3

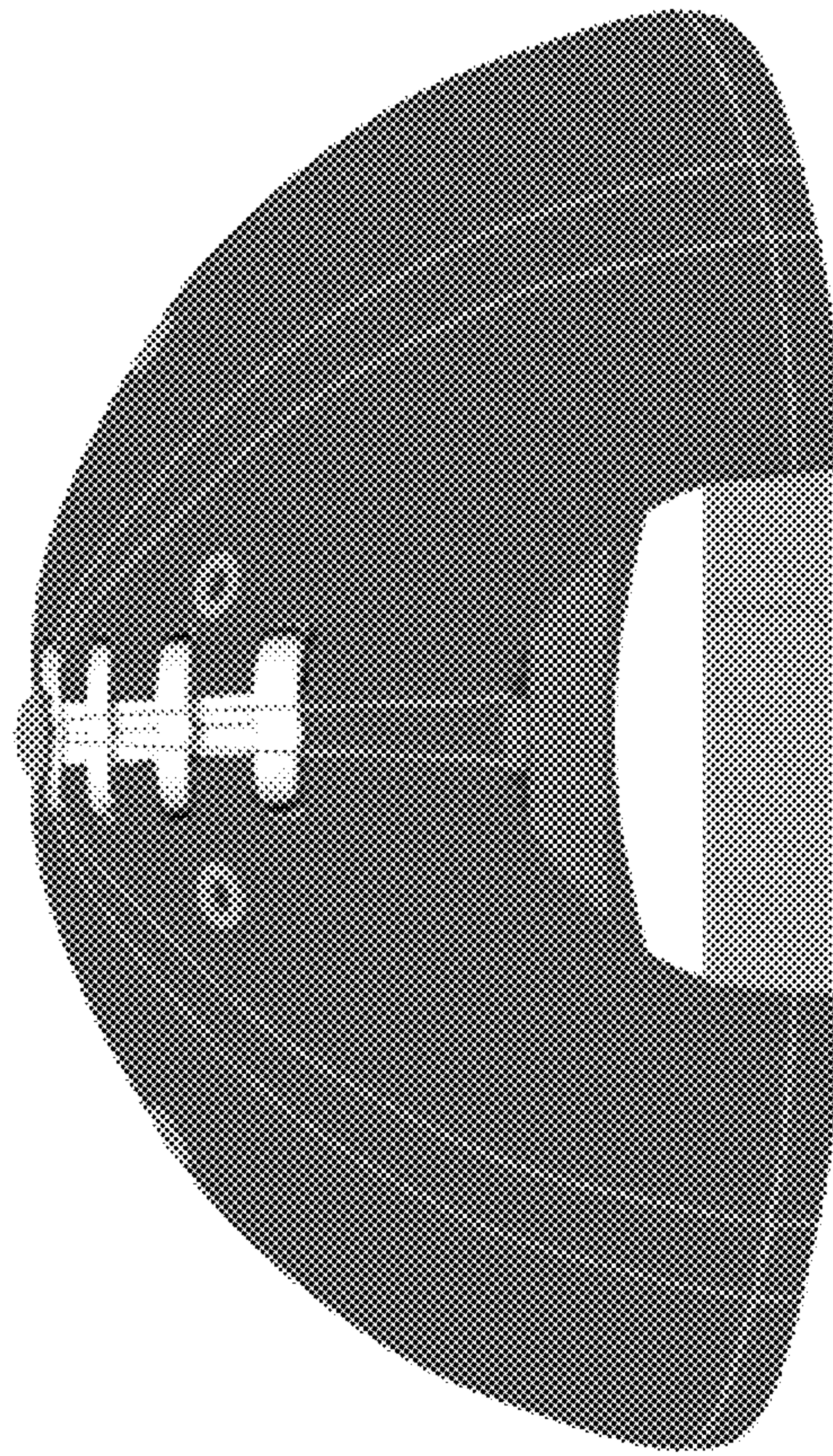


FIG. 4

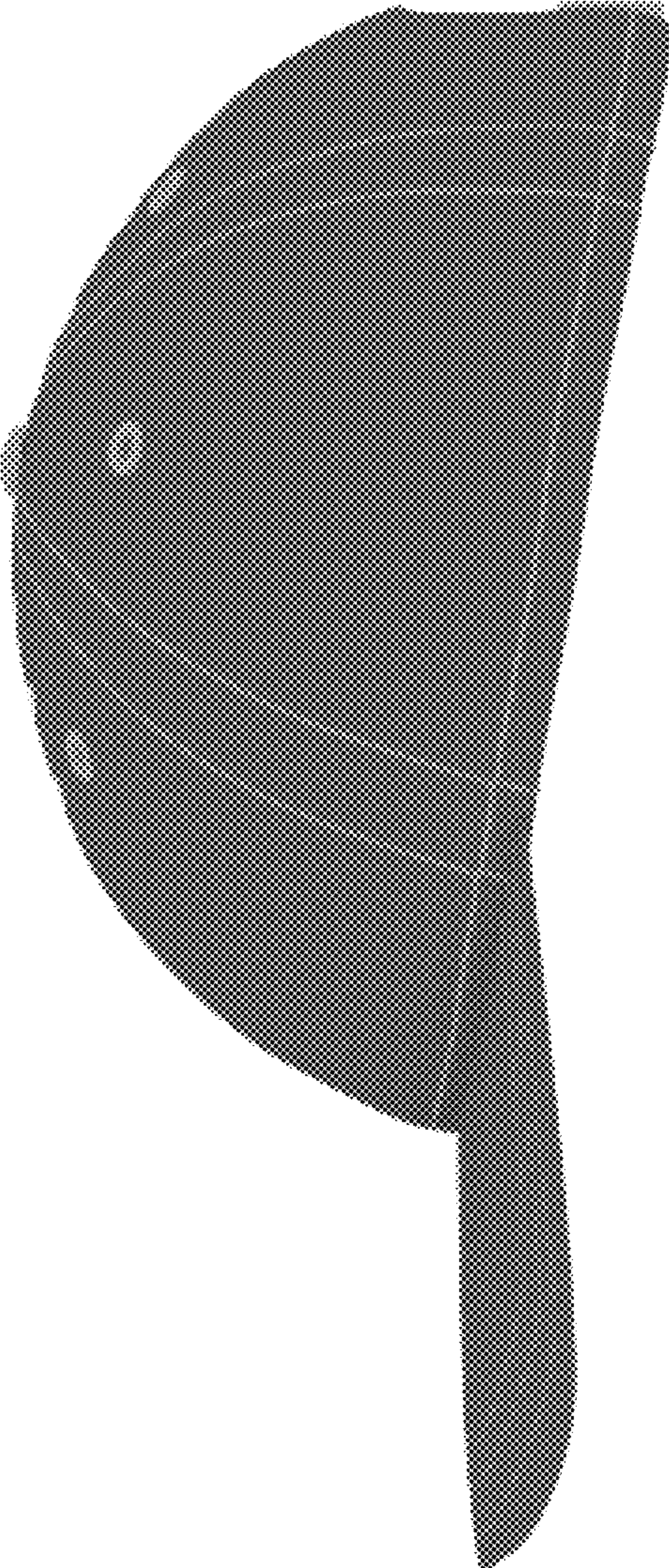


FIG. 5

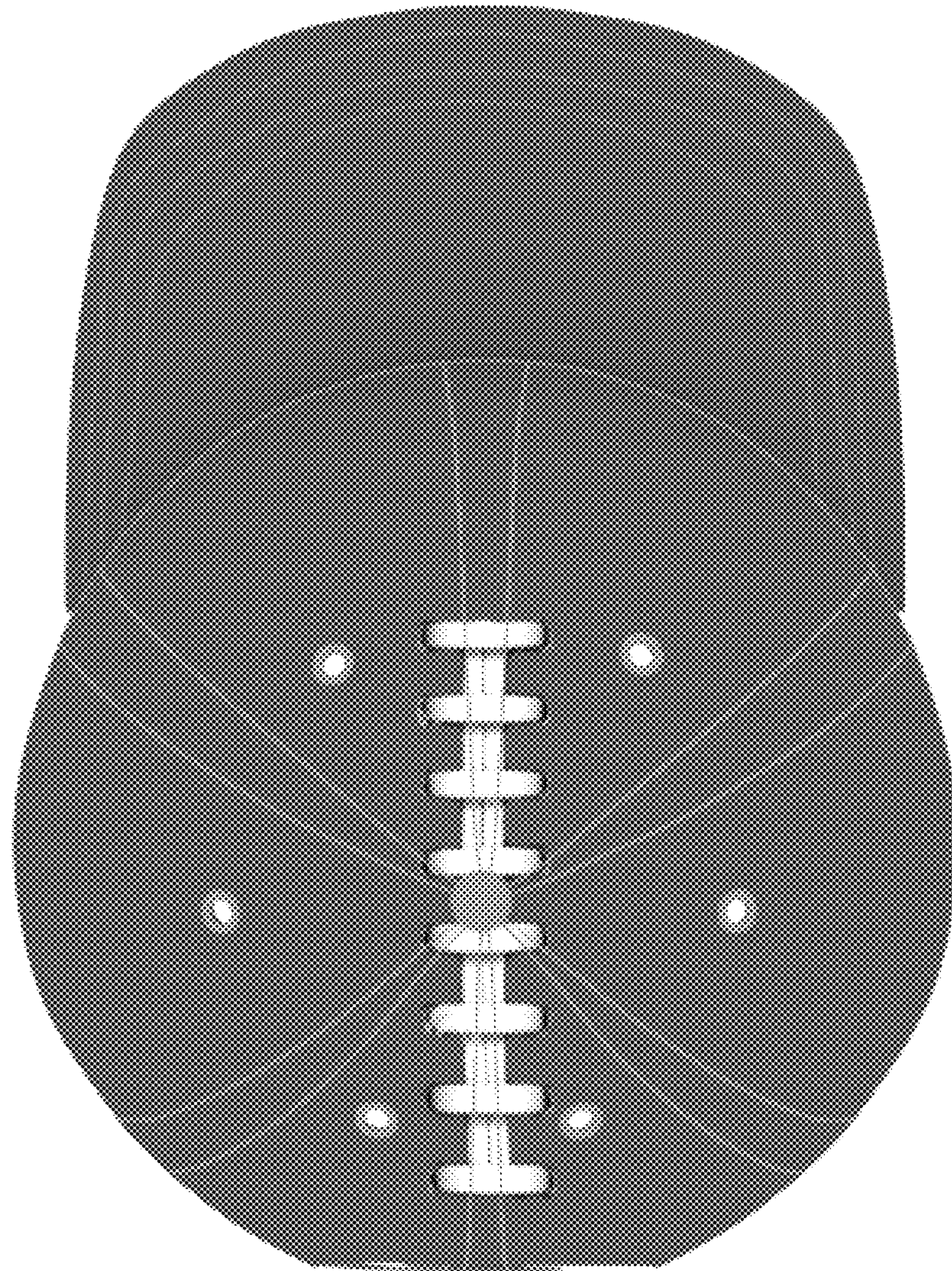


FIG. 6