



US00D828978S

(12) **United States Design Patent**
Kwon et al.

(10) **Patent No.:** **US D828,978 S**
(45) **Date of Patent:** **** Sep. 25, 2018**

(54) **COLLAR GUARD FOR PROTECTING CLOTHING COLLAR**

(71) Applicants: **Tae Hyun Kwon**, Seoul (KR); **Gaon Hong Jeong**, Seoul (KR)

(72) Inventors: **Tae Hyun Kwon**, Seoul (KR); **Gaon Hong Jeong**, Seoul (KR)

(**) Term: **15 Years**

(21) Appl. No.: **29/598,324**

(22) Filed: **Mar. 24, 2017**

(30) **Foreign Application Priority Data**

Nov. 17, 2016 (KR) 30-2016-0055290

(51) **LOC (11) Cl.** **02-02**

(52) **U.S. Cl.**
USPC **D2/860**

(58) **Field of Classification Search**
USPC D2/860
CPC A41D 27/16
See application file for complete search history.

(56) **References Cited**

U.S. PATENT DOCUMENTS

1,007,396 A * 10/1911 Simpson A41D 27/16
2/60
1,231,206 A * 6/1917 Schenck A41D 27/16
2/60
2,500,985 A * 3/1950 Goetz A41B 3/02
2/127

2,997,718 A * 8/1961 Jacobs A41D 27/18
2/139
7,080,413 B1 * 7/2006 Schneider A41D 27/16
2/50
7,941,868 B1 * 5/2011 Shaw A45D 44/08
2/50

OTHER PUBLICATIONS

Japanese Notice of Allowance dated Aug. 14, 2017 in connection with the counterpart Japanese Patent Application No. Design 2017-006700.

Chinese Notice of Registration and Grant for a Design dated Jul. 10, 2017 in connection with the counterpart Chinese Patent Application No. 2017301003976.

European Certificate of Registration dated Mar. 28, 2017 in connection with the counterpart European Patent Application No. 003827815-0001.

* cited by examiner

Primary Examiner — Kevin Keith Rudzinski

(74) *Attorney, Agent, or Firm* — Hauptman Ham, LLP

(57) **CLAIM**

We claim the ornamental design for the collar guard for protecting clothing collar, as shown and described.

DESCRIPTION

FIG. 1 is perspective view of the collar guard for protecting clothing collar showing a new design;
FIG. 2 is a front view thereof;
FIG. 3 is a rear view thereof;
FIG. 4 is a left side view thereof;
FIG. 5 is a right side view thereof;
FIG. 6 is a top view thereof;
FIG. 7 is a bottom view thereof; and,
FIG. 8 is a bottom perspective view thereof.

1 Claim, 8 Drawing Sheets

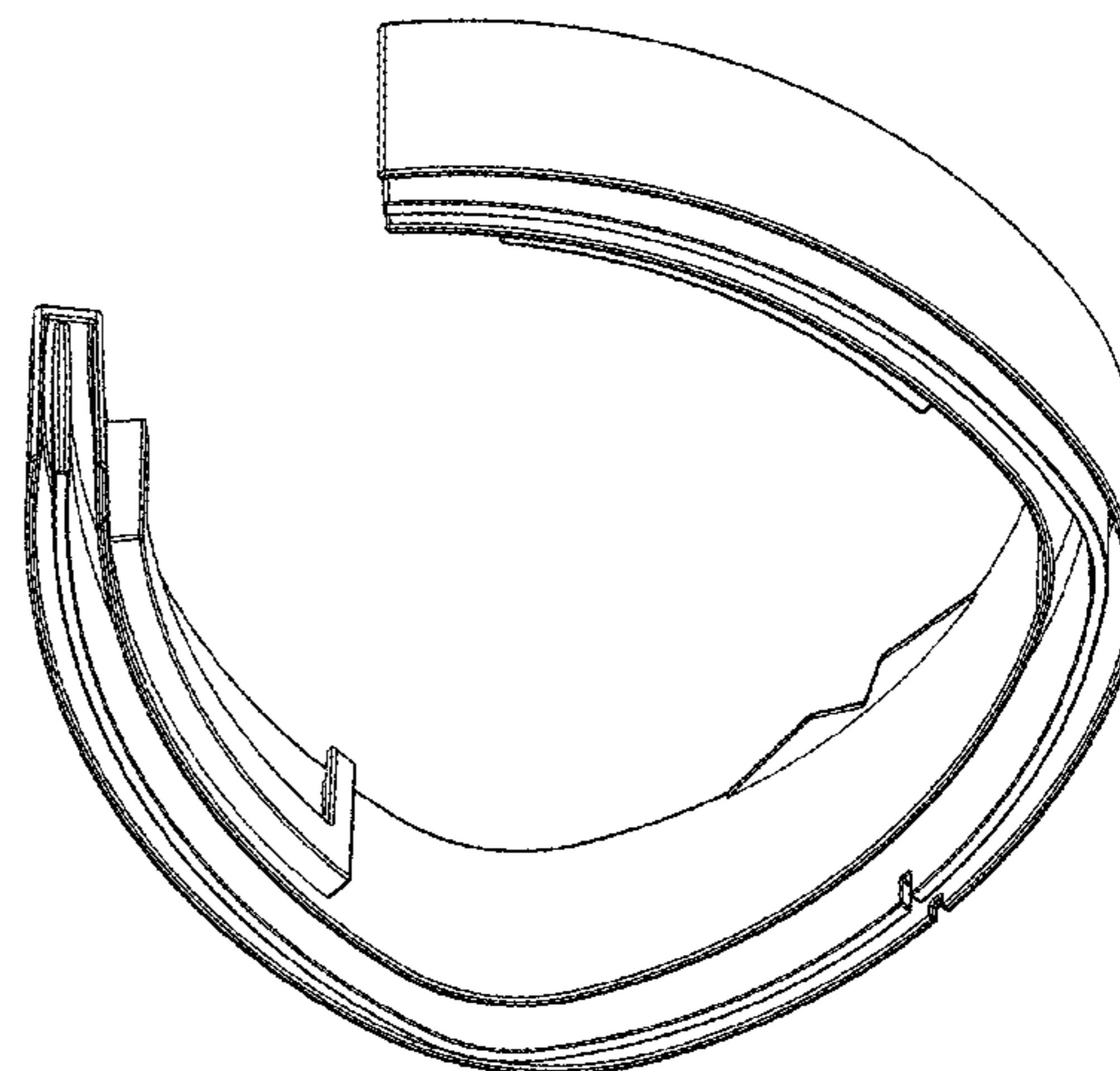
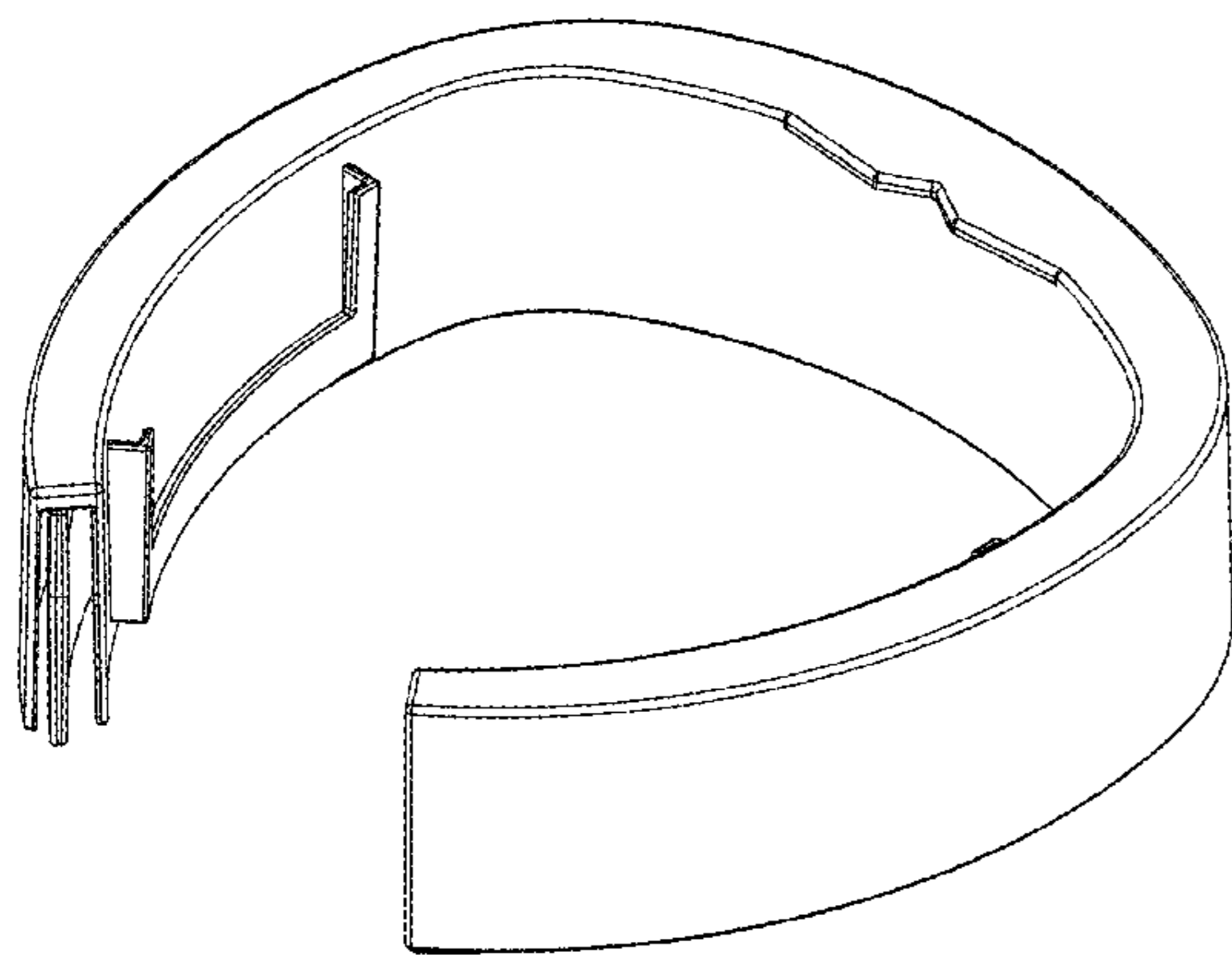


FIG. 1

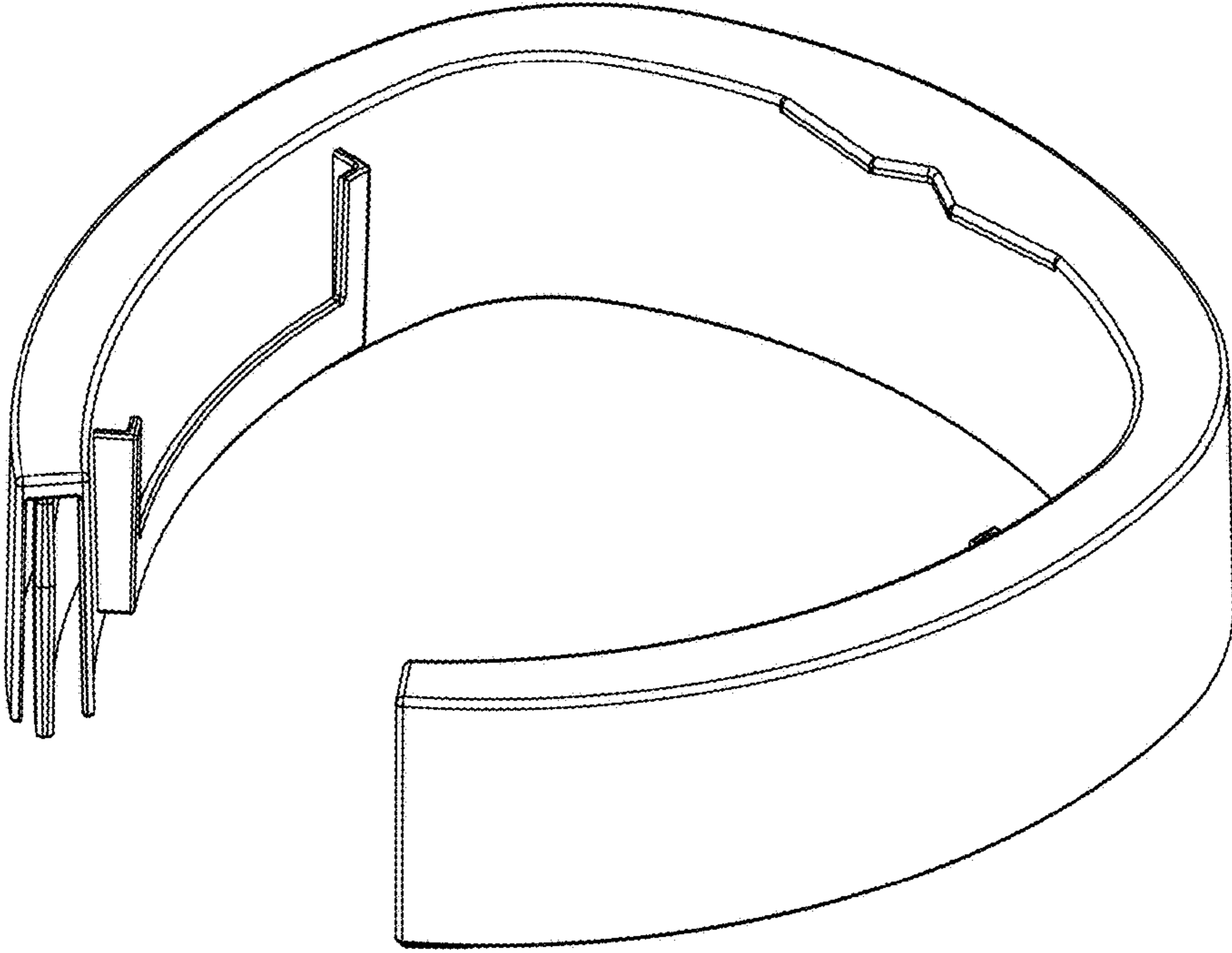


FIG. 2

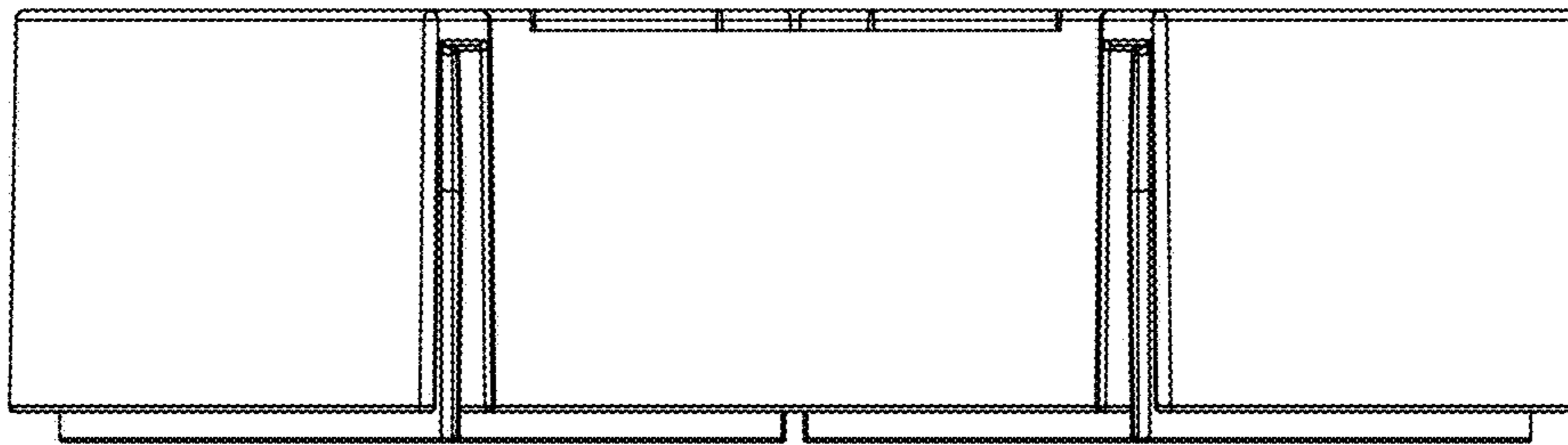


FIG. 3

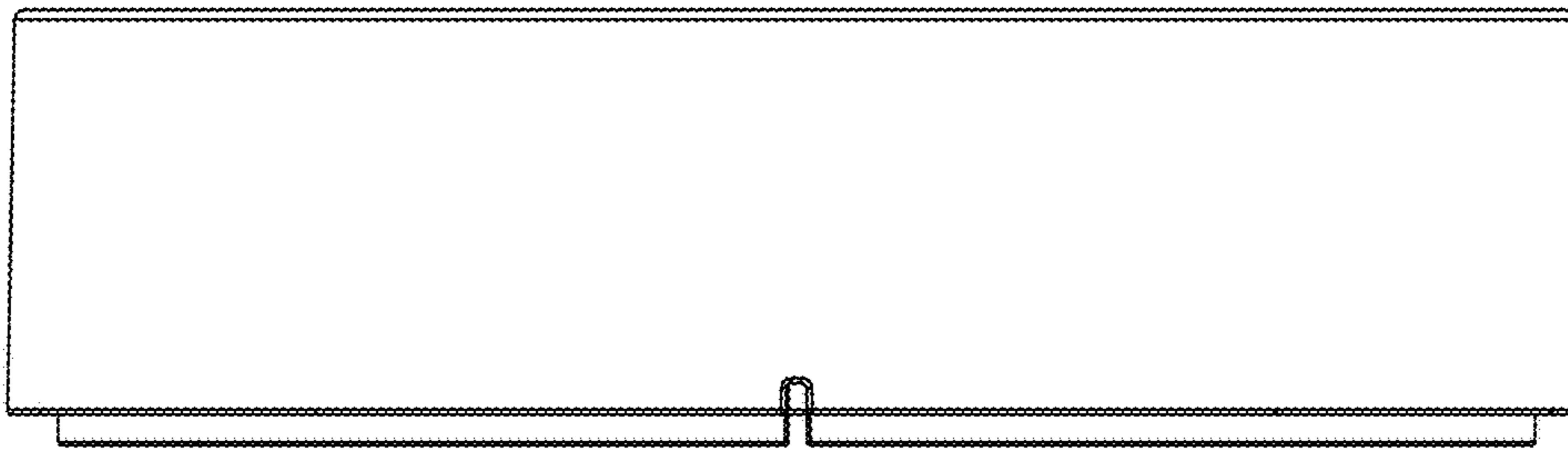


FIG. 4

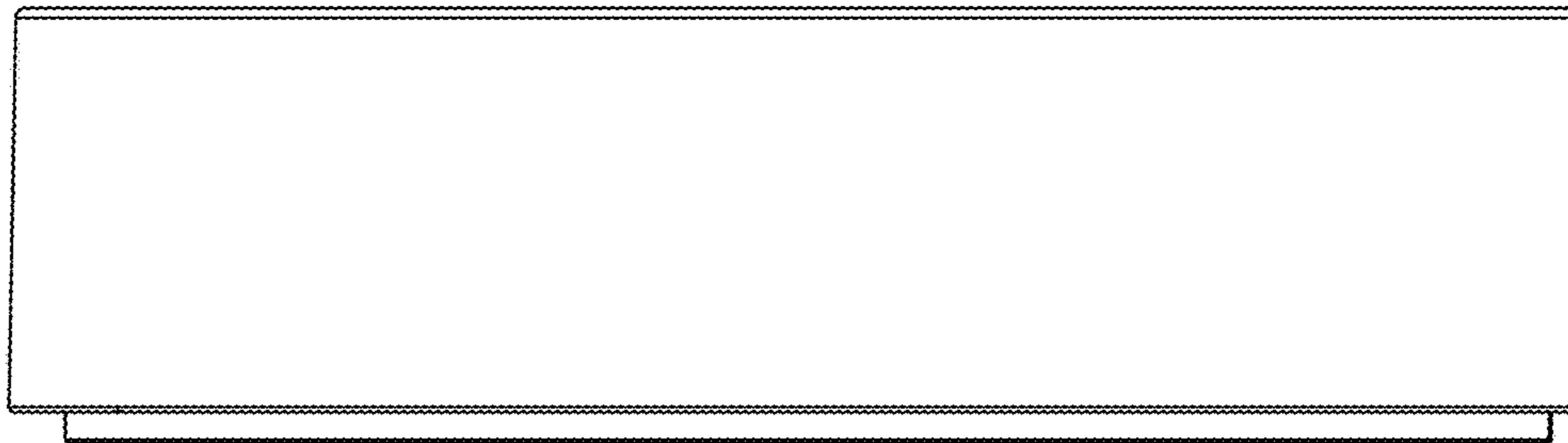


FIG. 5

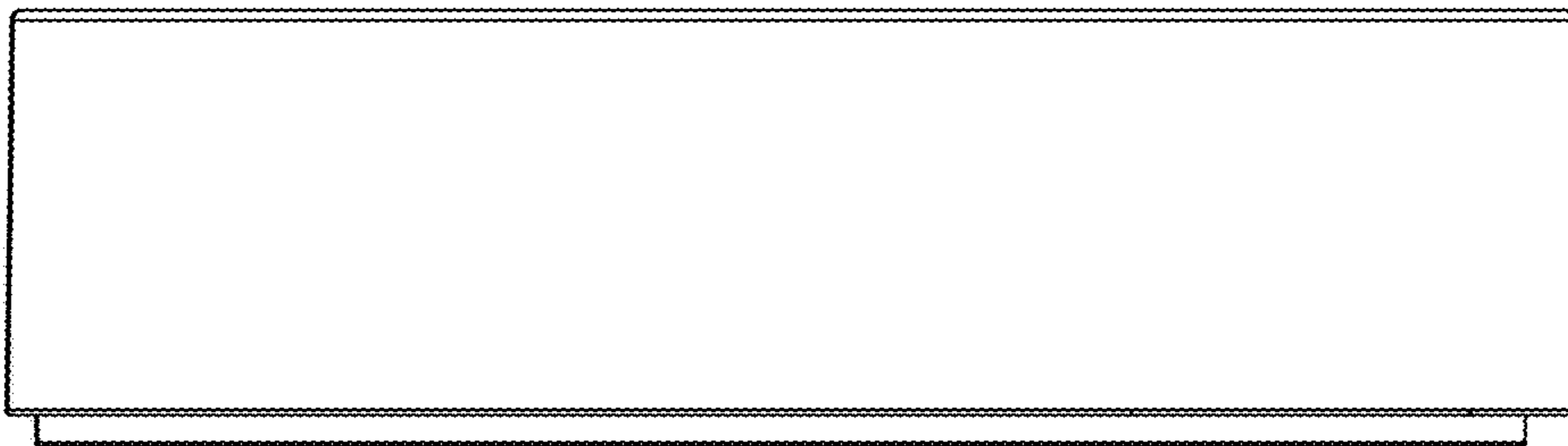


FIG. 6

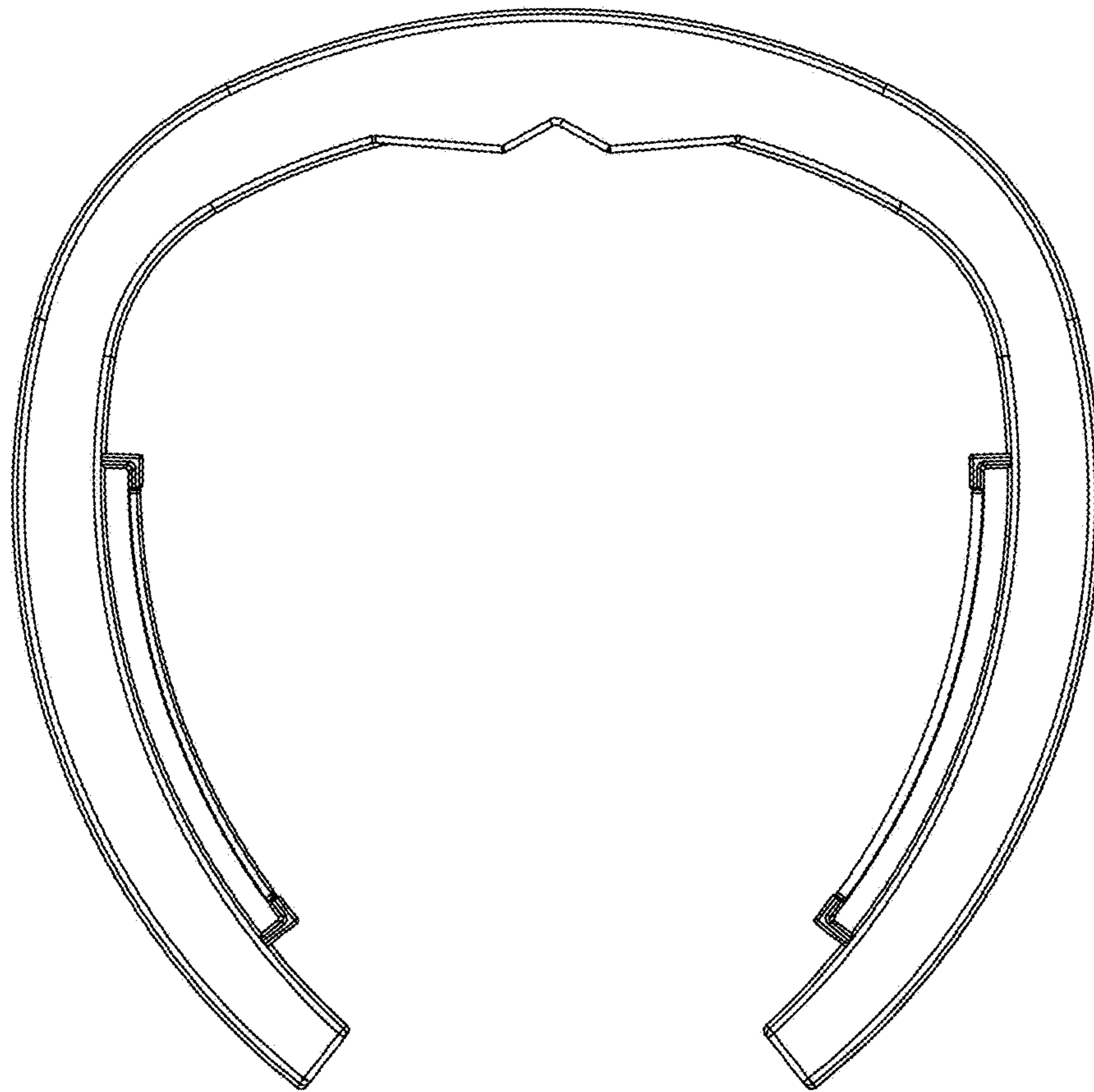


FIG. 7

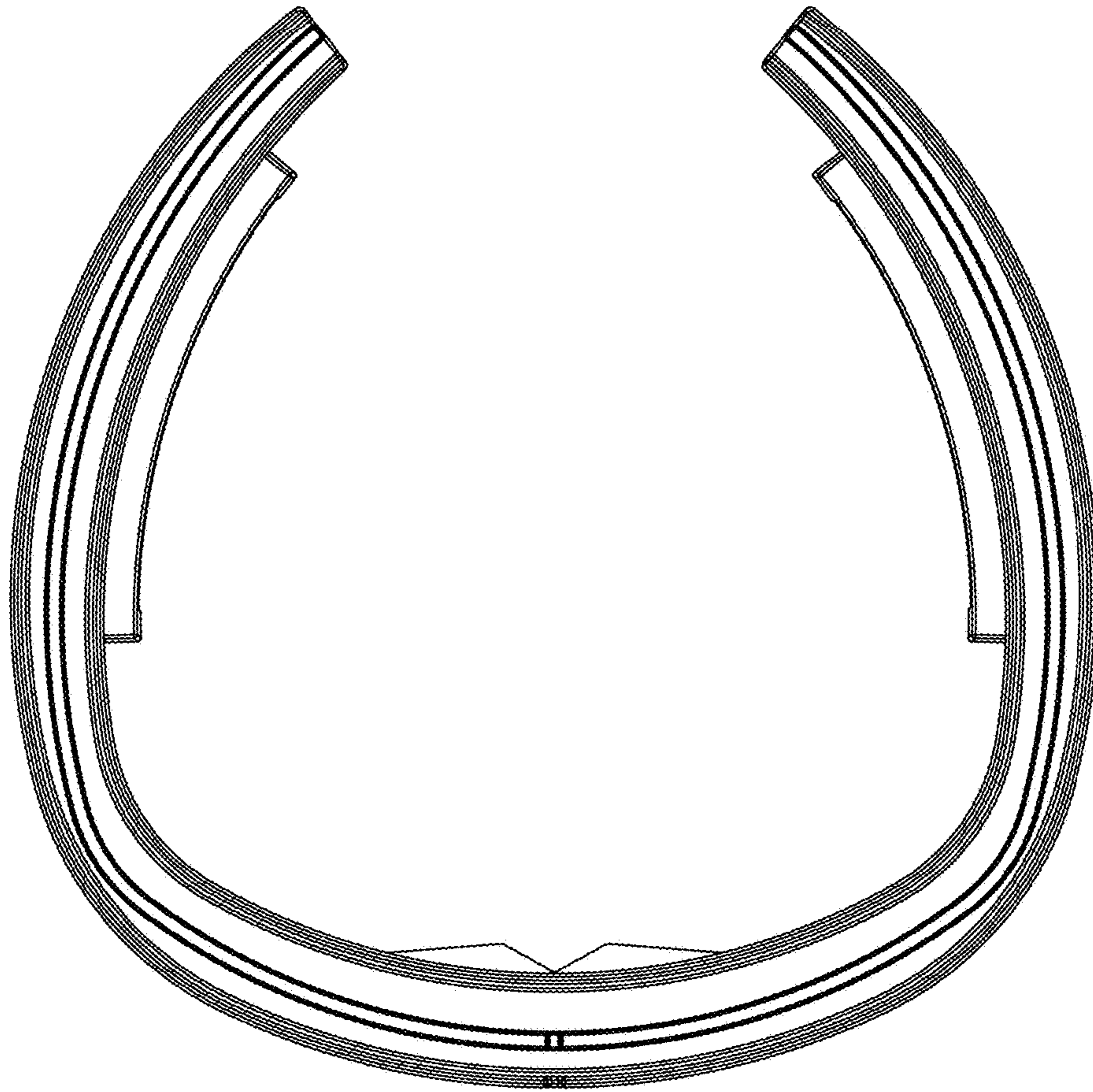


FIG. 8

