



US00D828975S

(12) **United States Design Patent**  
**Guvenc**

(10) **Patent No.:** **US D828,975 S**

(45) **Date of Patent:** **\*\* Sep. 25, 2018**

(54) **POCKET SQUARE HOLDER**

(71) Applicant: **HG DESIGN, LLC**

(72) Inventor: **Hakan Guvenc**, Orland Park, IL (US)

(73) Assignee: **HG DESIGN, LLC**, Elmhurst, IL (US)

(\*\*) Term: **15 Years**

(21) Appl. No.: **29/628,434**

(22) Filed: **Dec. 5, 2017**

**Related U.S. Application Data**

(63) Continuation of application No. 14/564,561, filed on Dec. 9, 2014.

(51) **LOC (11) Cl.** ..... **02-05**

(52) **U.S. Cl.**  
USPC ..... **D2/500**

(58) **Field of Classification Search**

USPC ..... D2/500, 501, 502, 503, 504, 505, 506, D2/507, 508, 600, 601, 602, 603, 604, D2/605, 606, 607, 608, 609; D3/227, D3/247, 250, 273, 300, 303, 318; D6/300, 315; D8/350, 353, 400; D9/415, 434, 457, 721, 722; D11/200, D11/201, 202, 212, 218; D13/125, 158, D13/164, 169, 170, 171, 177; D14/435, D14/436, 437, 478; D19/1, 9, 10, 11, 12,  
(Continued)

(56) **References Cited**

**U.S. PATENT DOCUMENTS**

1,631,398 A 6/1927 Campbell  
2,163,710 A 6/1939 Schockling  
(Continued)

**OTHER PUBLICATIONS**

SquareGuard Pocket Square Holder, [on-line]; [first listed on Amazon.com on Sep. 14, 2017 (see p. 2)]; [retrieved from the Internet on Jul. 16, 2018]; (2 pgs). (Year: 2017).\*

US Trademark Application #87271445 (now Registered Trademark #5294572) for "SquareGuard," filed Dec. 16, 2016 by HG Design, LLC. First Use in Commerce date: Jul. 1, 2016. Retrieved on Jul. 17, 2018. (3 pgs). (Year: 2016).\*

(Continued)

*Primary Examiner* — Karen S Acker

*Assistant Examiner* — Jasmine Mlinarcik

(74) *Attorney, Agent, or Firm* — McDonnell Boehnen Hulbert & Berghoff LLP

(57) **CLAIM**

The ornamental design for a pocket square holder, as shown and described.

**DESCRIPTION**

FIG. 1 is a pocket square holder in a perspective view; FIG. 2 is a front view thereof, with the rear view being identical;

FIG. 3 is a top view thereof;

FIG. 4 is a bottom view thereof;

FIG. 5 is a perspective view showing the pocket square holder positioned in a pocket with a handkerchief positioned therein.

FIG. 6 is a second embodiment of a pocket square holder in a perspective view;

FIG. 7 is a front view thereof, with the rear view being identical;

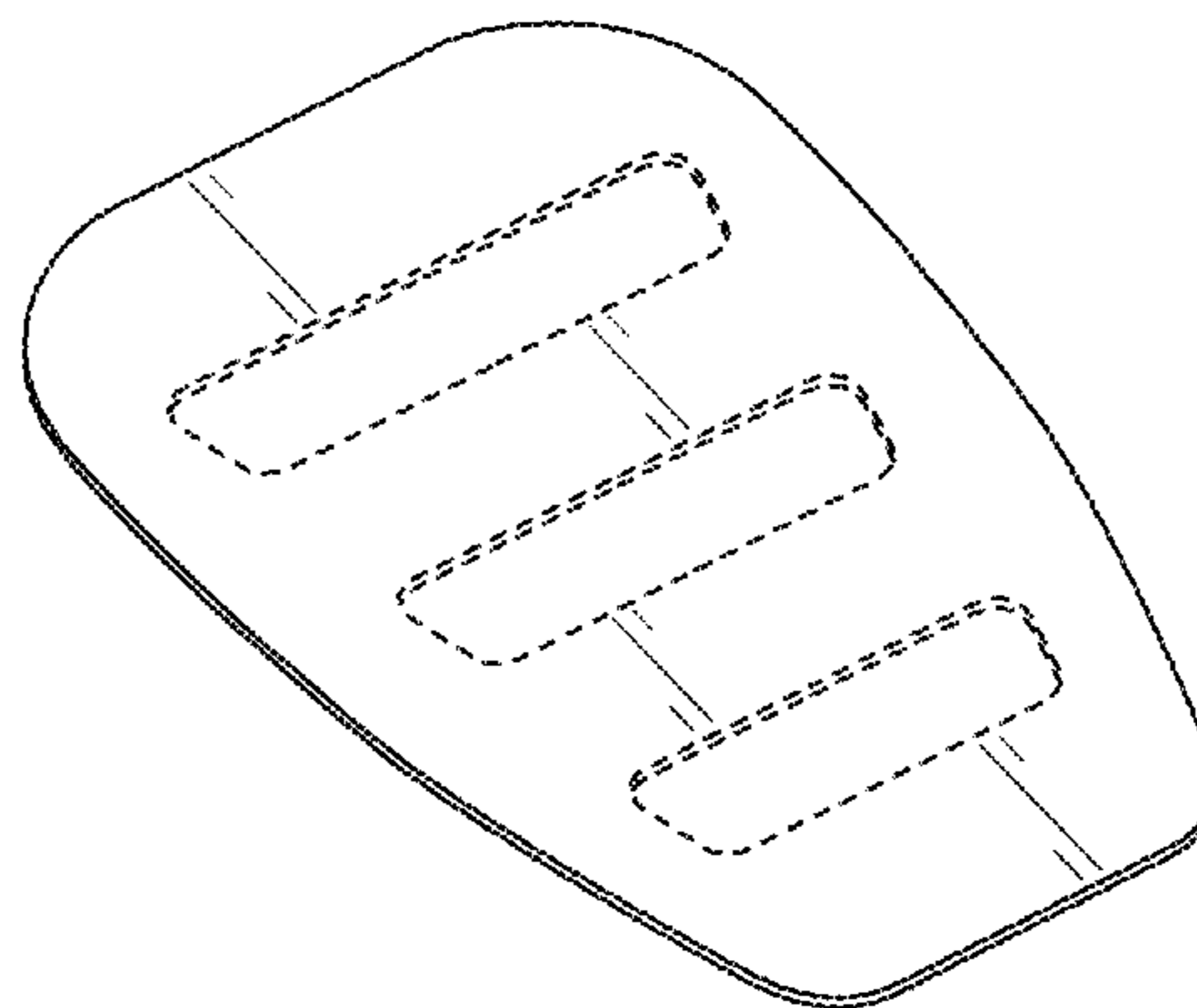
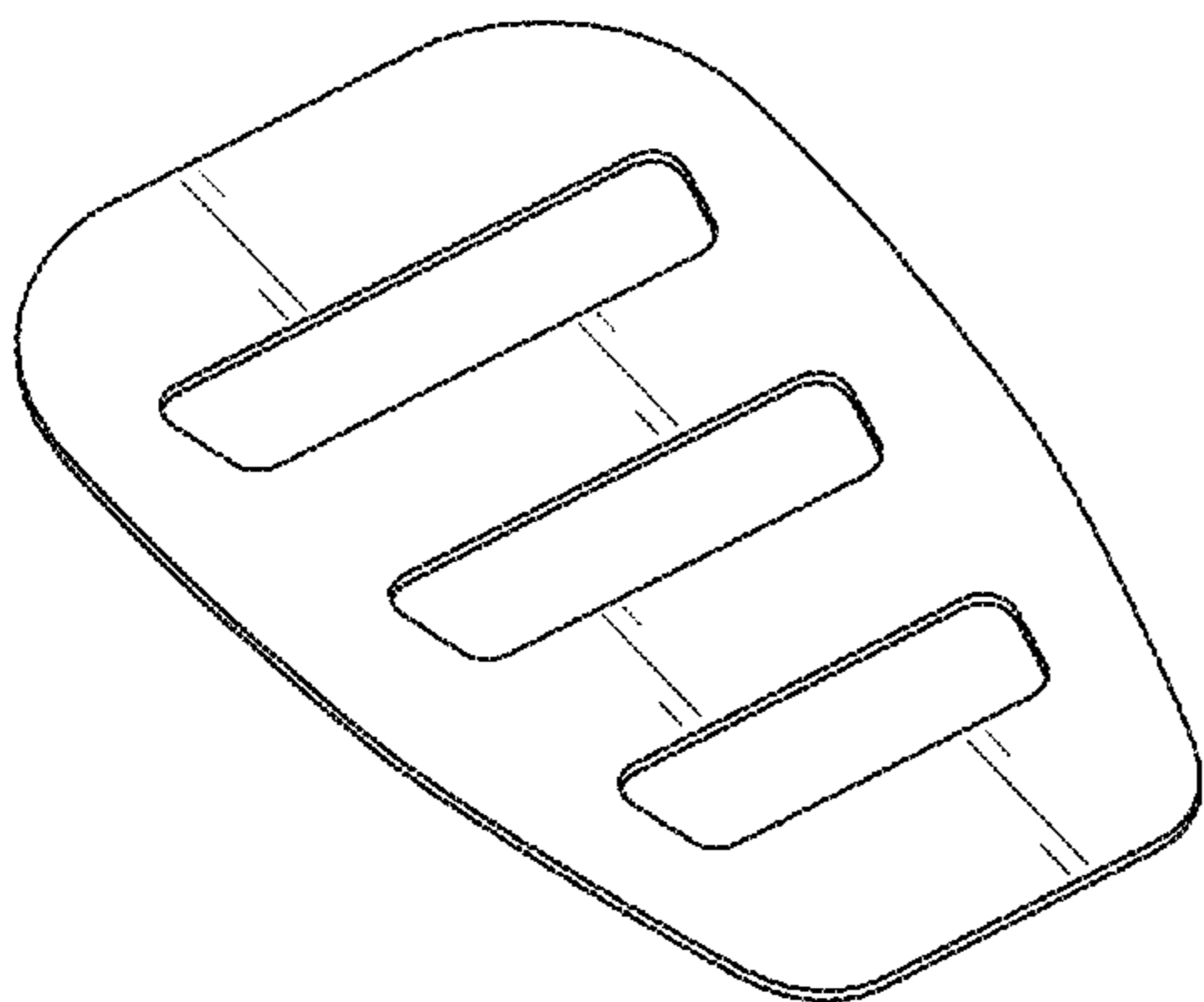
FIG. 8 is a top view thereof;

FIG. 9 is a bottom view thereof; and,

FIG. 10 is a perspective view showing the pocket square holder positioned in a pocket with a handkerchief positioned therein.

The even broken lines are included for the purpose of illustrating portions of the pocket square holder in embodiment 2 that form no part of the claimed design. The dash-dot-dash broken lines illustrating a pocket and the even broken lines showing a handkerchief in FIGS. 5 and 10 represent environmental subject matter that forms no part of the claimed design.

**1 Claim, 8 Drawing Sheets**



# US D828,975 S

Page 2

(58) **Field of Classification Search**

USPC .... D19/34, 103; D20/10, 11, 13, 17, 22, 27,  
D20/35, 39, 40, 43, 99; D21/694  
CPC ..... A21B 3/15; A21B 3/155; A41D 13/06;  
A41D 13/065; A41D 23/00; A41D 25/00;  
A41D 25/001; A41D 25/003; A41D  
25/008; A41D 25/022; A41D 25/025;  
A41D 25/027; A41D 25/08; A41D 25/10;  
A41D 25/14; A41B 15/00; A41B 15/02;  
A41F 1/00; A45C 2001/062; A45C  
2001/065; A45C 13/42; A47B 83/00;  
A47B 23/02; A47B 23/002; A47C 16/04;  
A47J 45/00; A47J 47/005; A47K 10/02;  
A61G 13/121; A61G 13/122; A61G  
2203/70; A61G 2205/00; B42D 5/006;  
B44D 3/02; B65B 61/202; G09F 3/00

See application file for complete search history.

(56) **References Cited**

U.S. PATENT DOCUMENTS

2,588,576 A \* 3/1952 Roop ..... A41D 25/003  
2/145  
3,064,271 A \* 11/1962 Kuber ..... A44B 11/003  
2/311  
3,196,461 A 7/1965 Erhardt  
3,371,829 A 3/1968 Phillips

D214,336 S \* 6/1969 Petrie ..... D11/87  
3,786,520 A 1/1974 Harmon  
4,299,014 A \* 11/1981 Wood ..... A44B 11/18  
24/196  
D286,582 S \* 11/1986 Phelps ..... D3/247  
5,231,702 A 8/1993 Masters  
6,412,150 B1 7/2002 Monderine  
D562,416 S \* 2/2008 Fedriga ..... D21/694  
D670,197 S \* 11/2012 Kelleghan ..... D11/218  
D671,447 S \* 11/2012 Nerison, Sr. .... D11/210  
8,347,417 B1 1/2013 Chur  
D680,027 S \* 4/2013 Haas ..... D11/201  
D718,628 S 12/2014 Lee  
9,089,170 B2 7/2015 Muratore, II  
D744,193 S \* 12/2015 Naeem ..... D2/500  
D749,818 S \* 2/2016 Hou ..... D2/502  
D755,469 S 5/2016 Garafano  
D789,028 S 6/2017 Wynn  
D805,955 S \* 12/2017 Minson ..... A41F 9/002  
D11/218  
2014/0352034 A1 12/2014 Bhiro  
2015/0096110 A1 \* 4/2015 Guvenc ..... A41B 15/02  
2/279

OTHER PUBLICATIONS

Pocket Square Holder, PURfect Pocket [online]. www.purfectpocket.com [retrieved on Nov. 20, 2017]. Retrieved from the Internet: <URL: [https://www.purfectpocket.com/store/p2/PURfect\\_Pocket\\_html](https://www.purfectpocket.com/store/p2/PURfect_Pocket_html)>.

\* cited by examiner

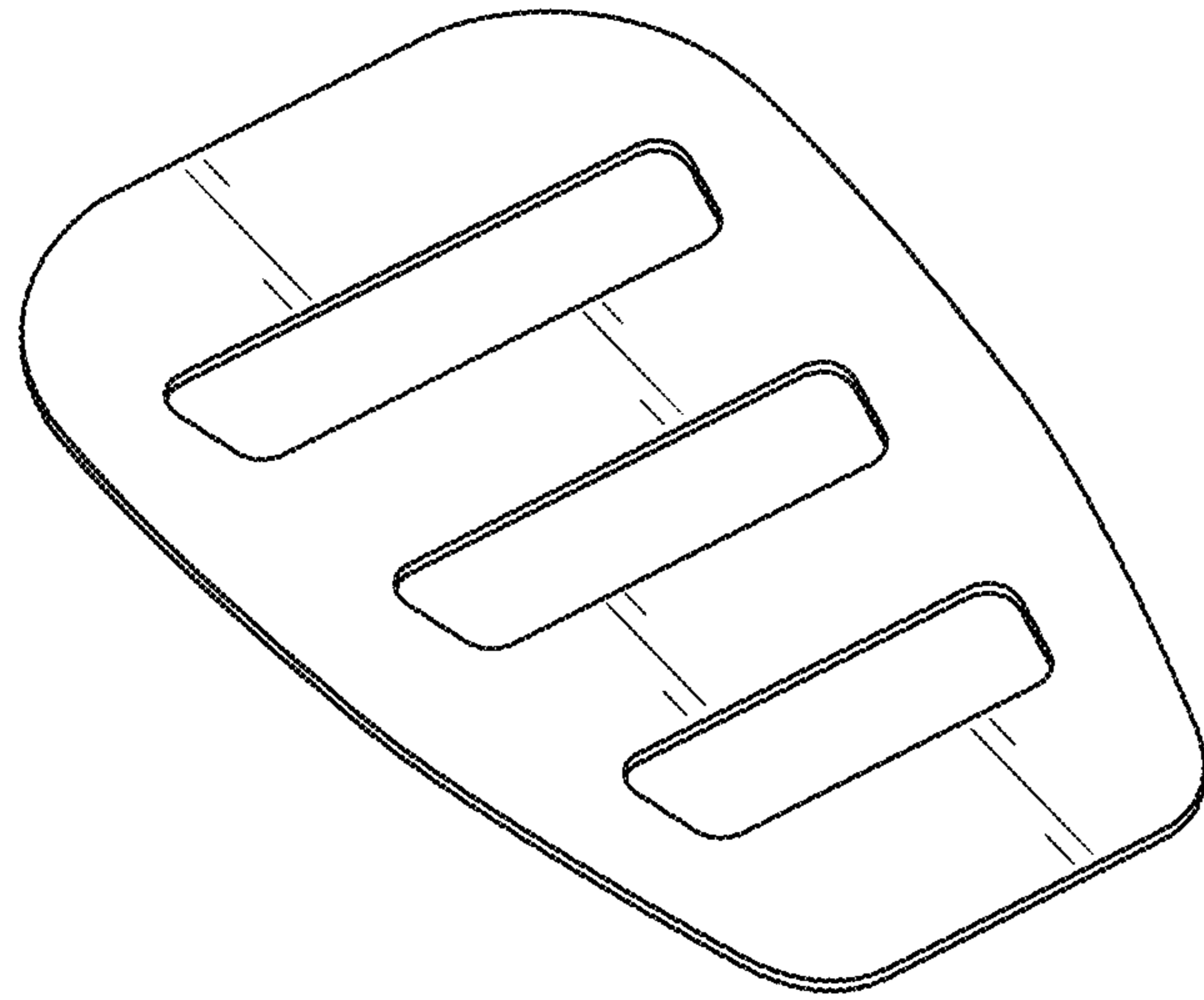


FIG. 1

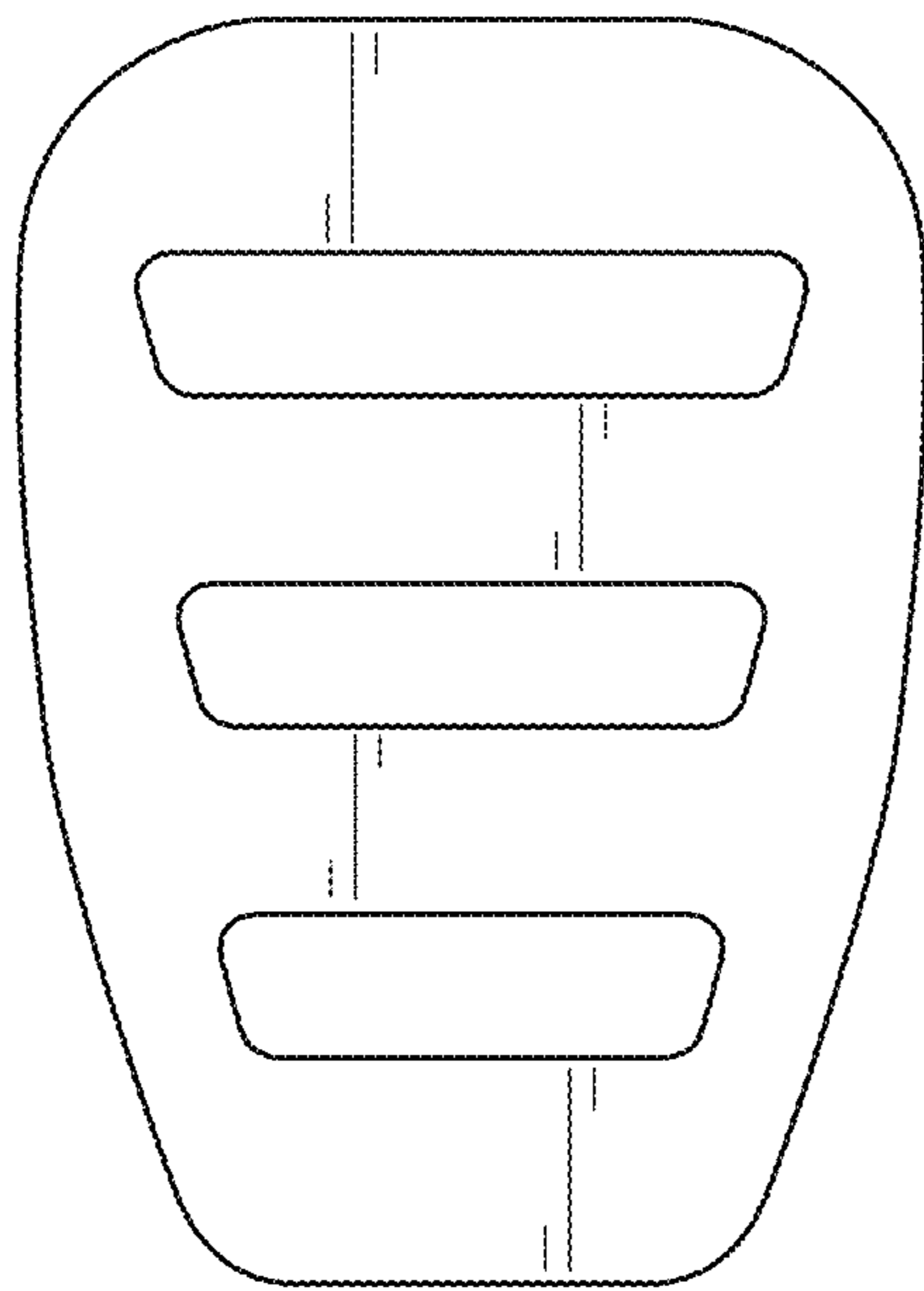


FIG. 2

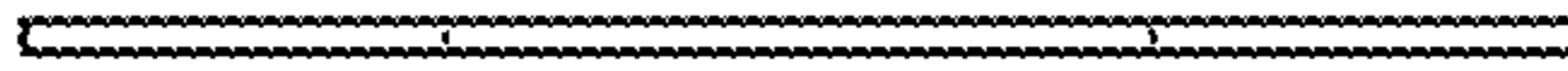


FIG. 3



FIG. 4

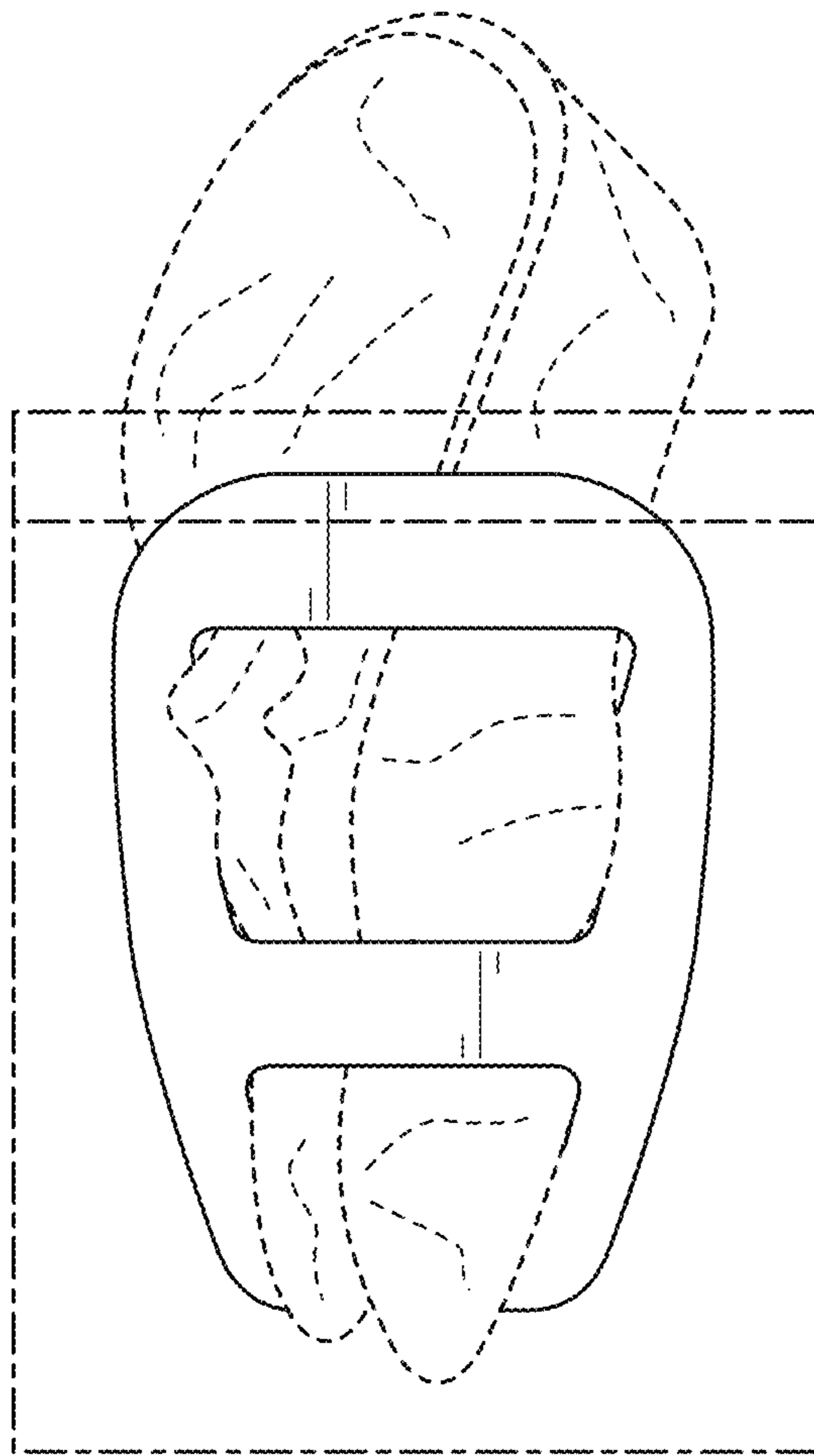


FIG. 5

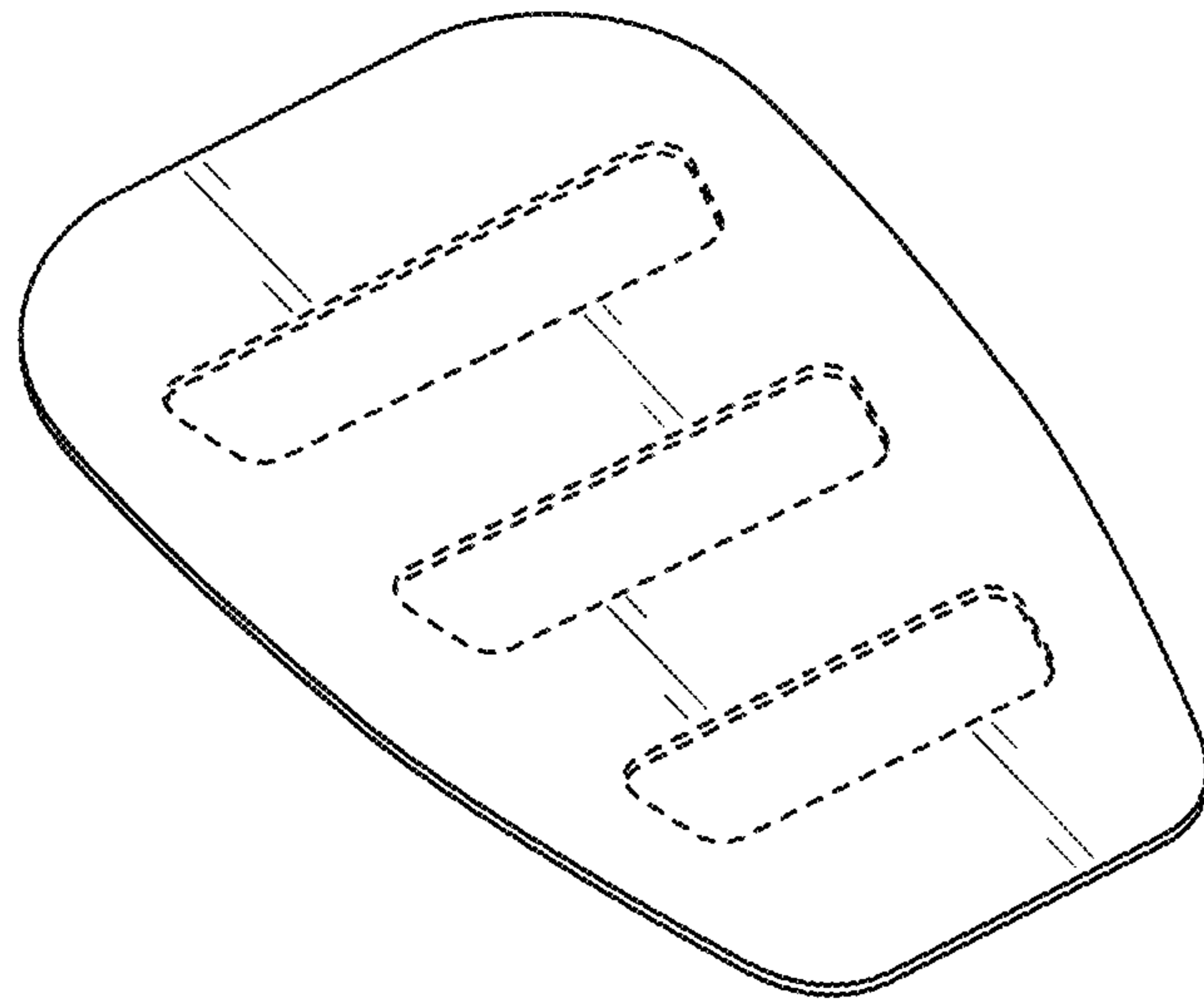


FIG. 6

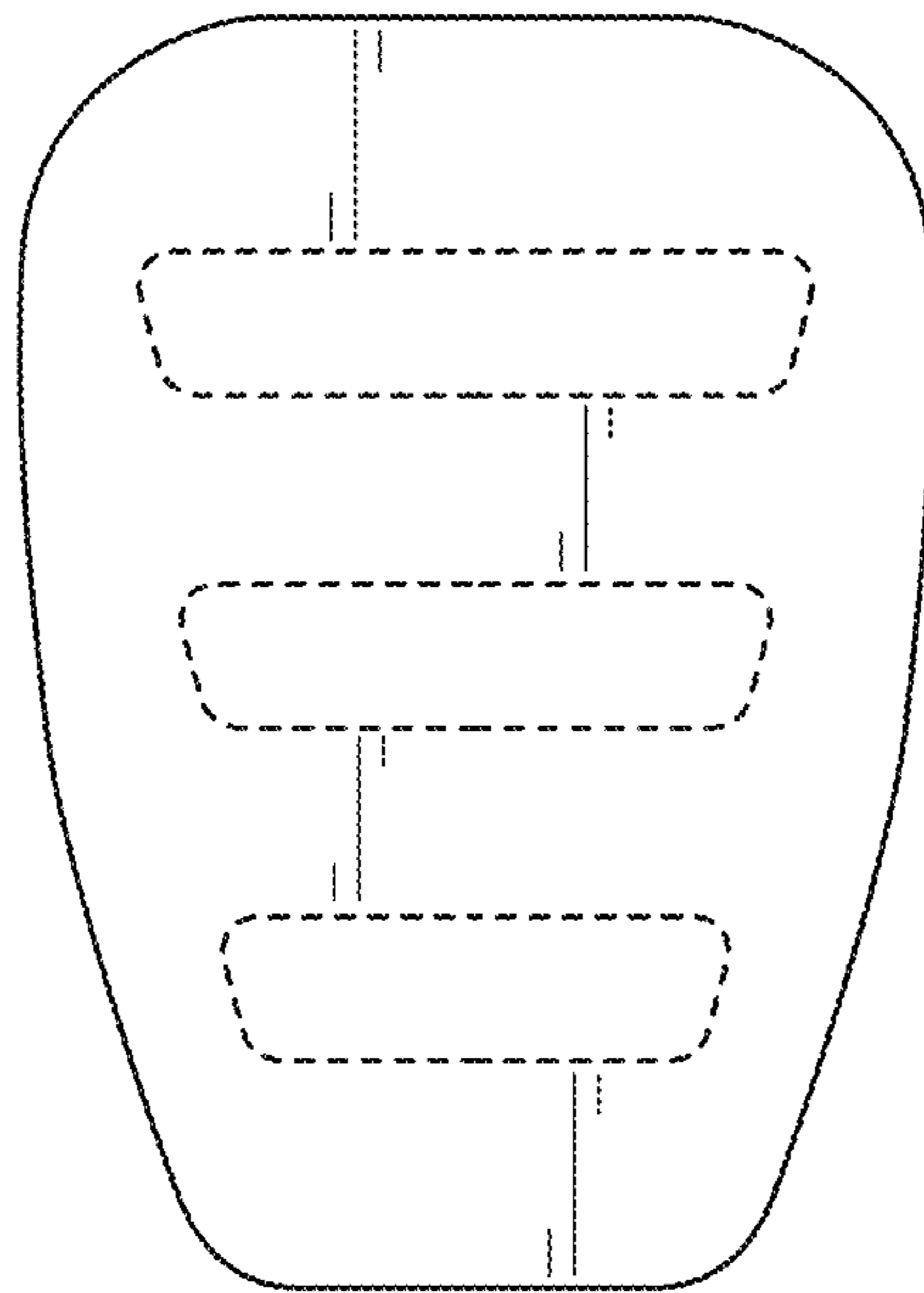


FIG. 7





FIG. 8



FIG. 9

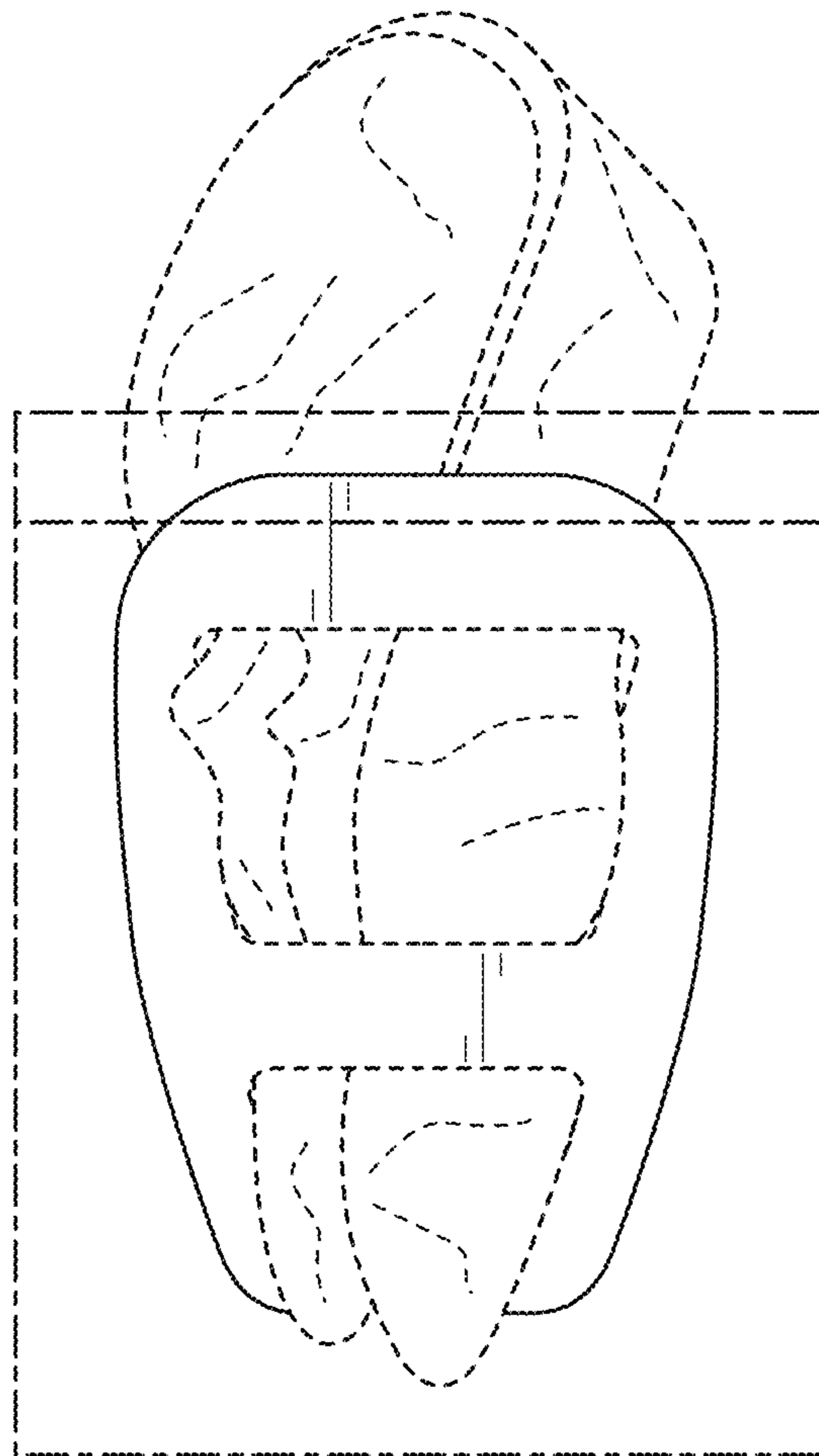


FIG. 10