



US00D828974S

(12) **United States Design Patent**
Gooden

(10) **Patent No.:** **US D828,974 S**

(45) **Date of Patent:** **** Sep. 18, 2018**

- (54) **MAILBOX FLAG HOLDER**
- (71) Applicant: **Benny R. Gooden**, Elizabethtown, NC (US)
- (72) Inventor: **Benny R. Gooden**, Elizabethtown, NC (US)
- (**) Term: **15 Years**
- (21) Appl. No.: **29/612,852**
- (22) Filed: **Aug. 4, 2017**
- (51) **LOC (11) Cl.** **99-00**
- (52) **U.S. Cl.**
USPC **D99/29**
- (58) **Field of Classification Search**
USPC D99/28, 29, 31, 32, 43, 99; D20/6;
232/1 R, 1 A, 1 C, 1 D, 17, 19, 20, 21,
232/27, 33, 38, 39
CPC A47G 29/12; A47G 29/1203; A47G
29/1205; A47G 29/1207; A47G 29/1209;
A47G 29/121; A47G 29/1216; A47G
29/122; A47G 29/1225; A47G 29/30
See application file for complete search history.

(56) **References Cited**

U.S. PATENT DOCUMENTS

- 4,491,268 A * 1/1985 Faulkingham A47G 29/121
232/34
- 4,524,905 A * 6/1985 Crist A47G 29/121
232/17
- D305,824 S * 1/1990 Carter D99/29
- D313,105 S * 12/1990 Klahre D11/143
- D322,418 S * 12/1991 White D11/144
- 5,076,337 A * 12/1991 Reuter A47G 29/121
232/34
- D332,167 S * 12/1992 Jackman D99/29
- D335,379 S * 5/1993 Clark D99/29
- D354,837 S * 1/1995 Owens D99/99

- D359,987 S * 7/1995 Yoshikawa D19/86
- 5,449,111 A * 9/1995 Sauzedde A47G 29/1209
232/17
- D365,189 S * 12/1995 Dennis D99/29
- D376,891 S * 12/1996 Wooten, Jr. D99/31
- D385,676 S * 10/1997 Childress D99/29
- 5,884,838 A * 3/1999 Rose A47G 29/121
116/324
- D445,988 S * 7/2001 Gaines D99/29
- D449,727 S * 10/2001 Carlson D99/29
- D476,791 S * 7/2003 South D99/29
- D477,449 S * 7/2003 South D99/29
- D477,450 S * 7/2003 South D99/29
- D493,937 S * 8/2004 Dillilo D99/29
- D526,759 S * 8/2006 Papernik D99/29
- D547,925 S * 7/2007 Schappler D99/29
- D556,974 S * 12/2007 Speir D20/19
- D556,975 S * 12/2007 Speir D20/19
- D727,589 S * 4/2015 Amato D99/29

* cited by examiner

Primary Examiner — Elizabeth J Oswecki

(74) *Attorney, Agent, or Firm* — Coats & Bennett, PLLC

(57) **CLAIM**

The ornamental design for a mailbox flag holder, as shown and described.

DESCRIPTION

FIG. 1 is a perspective view of a mailbox flag holder, showing my new design mounted on a mailbox shown in broken lines;

FIG. 2 is a perspective view thereof;

FIG. 3 is a side elevational view thereof;

FIG. 4 is a front elevational view thereof, the rear elevational view being a mirror image; and,

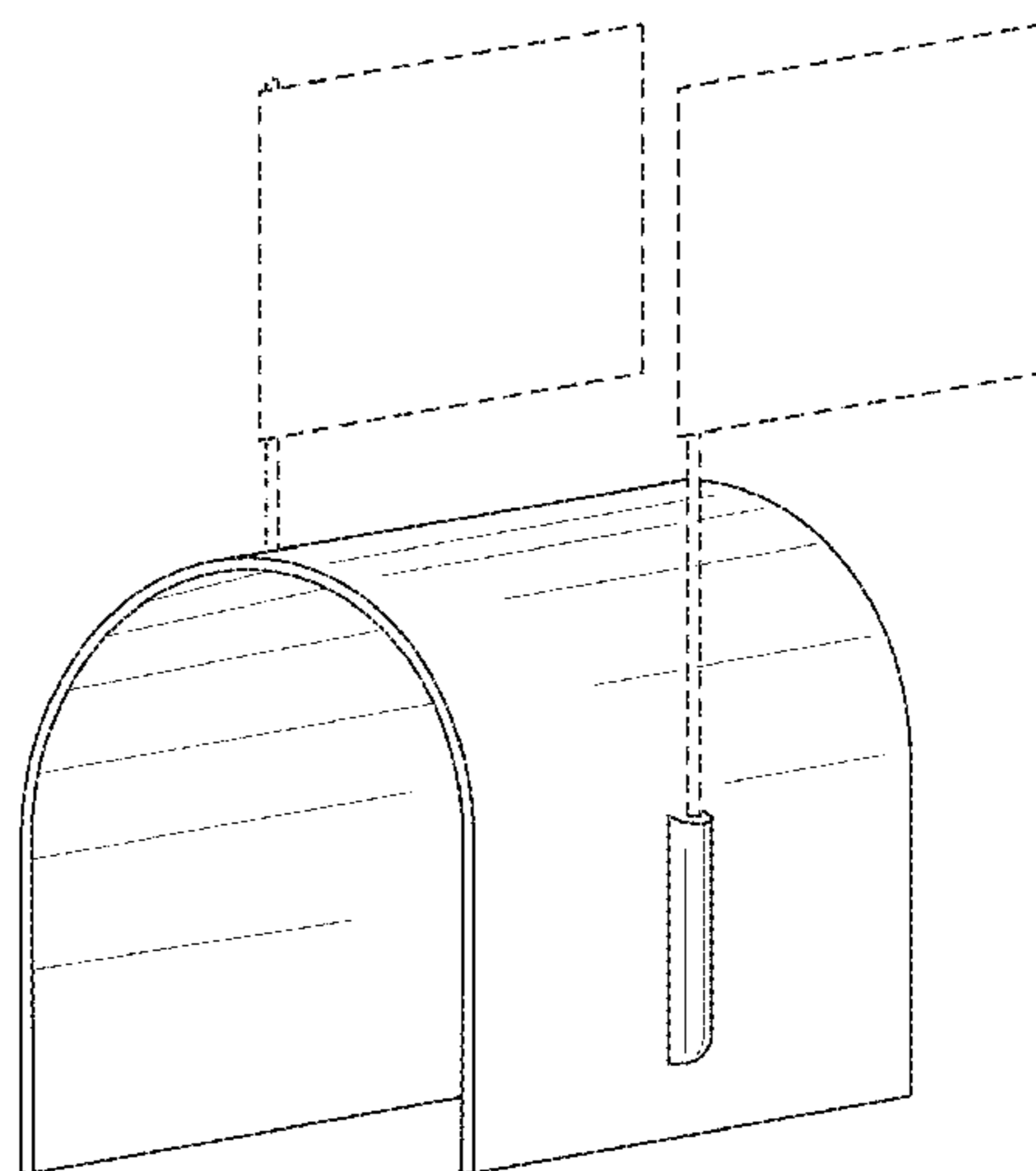
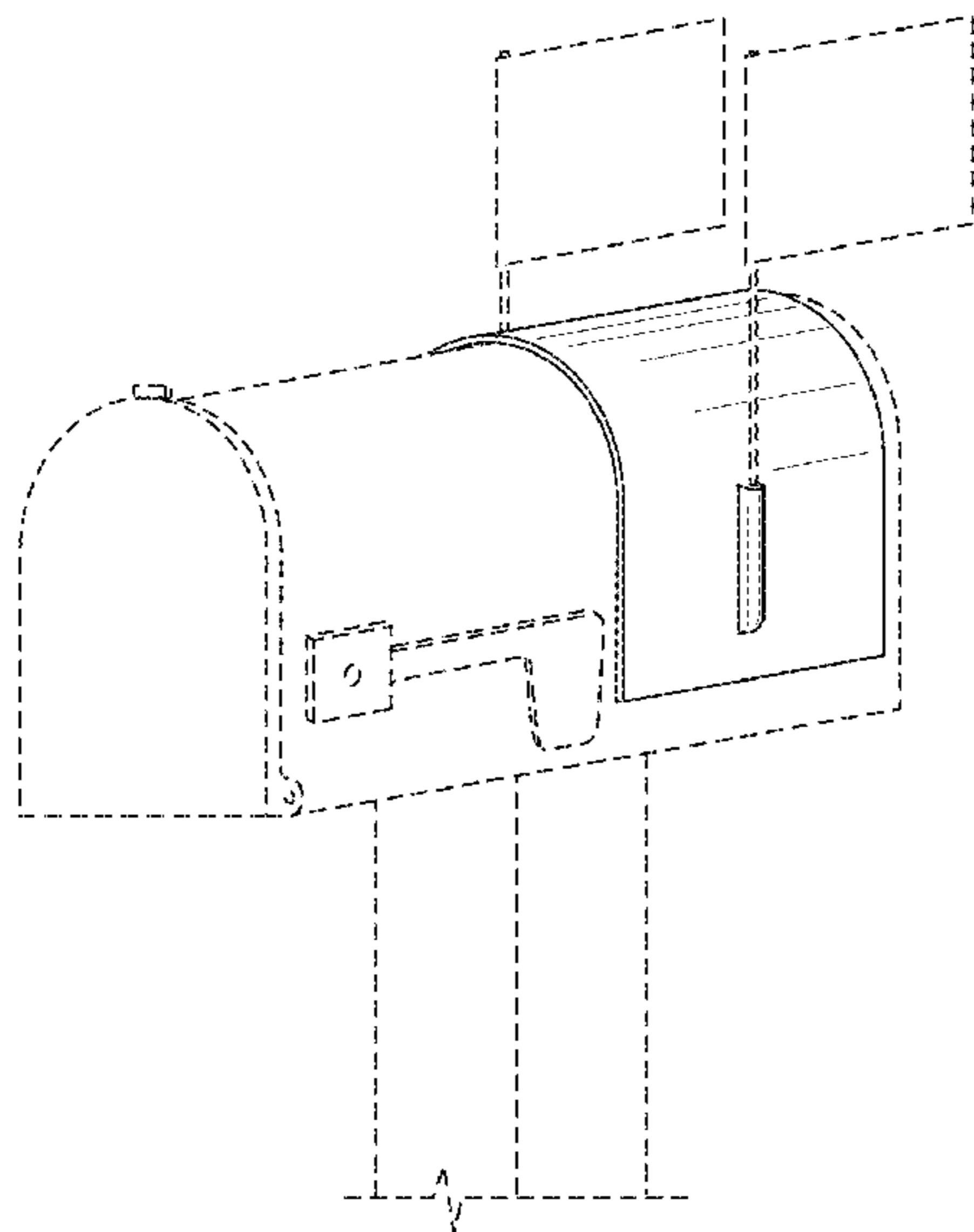
FIG. 5 is a top plan view thereof.

The bottom forms no part of the claimed design.

The broken lines form no part of the claimed design.

All surfaces not shown form no part of the claimed design.

1 Claim, 5 Drawing Sheets



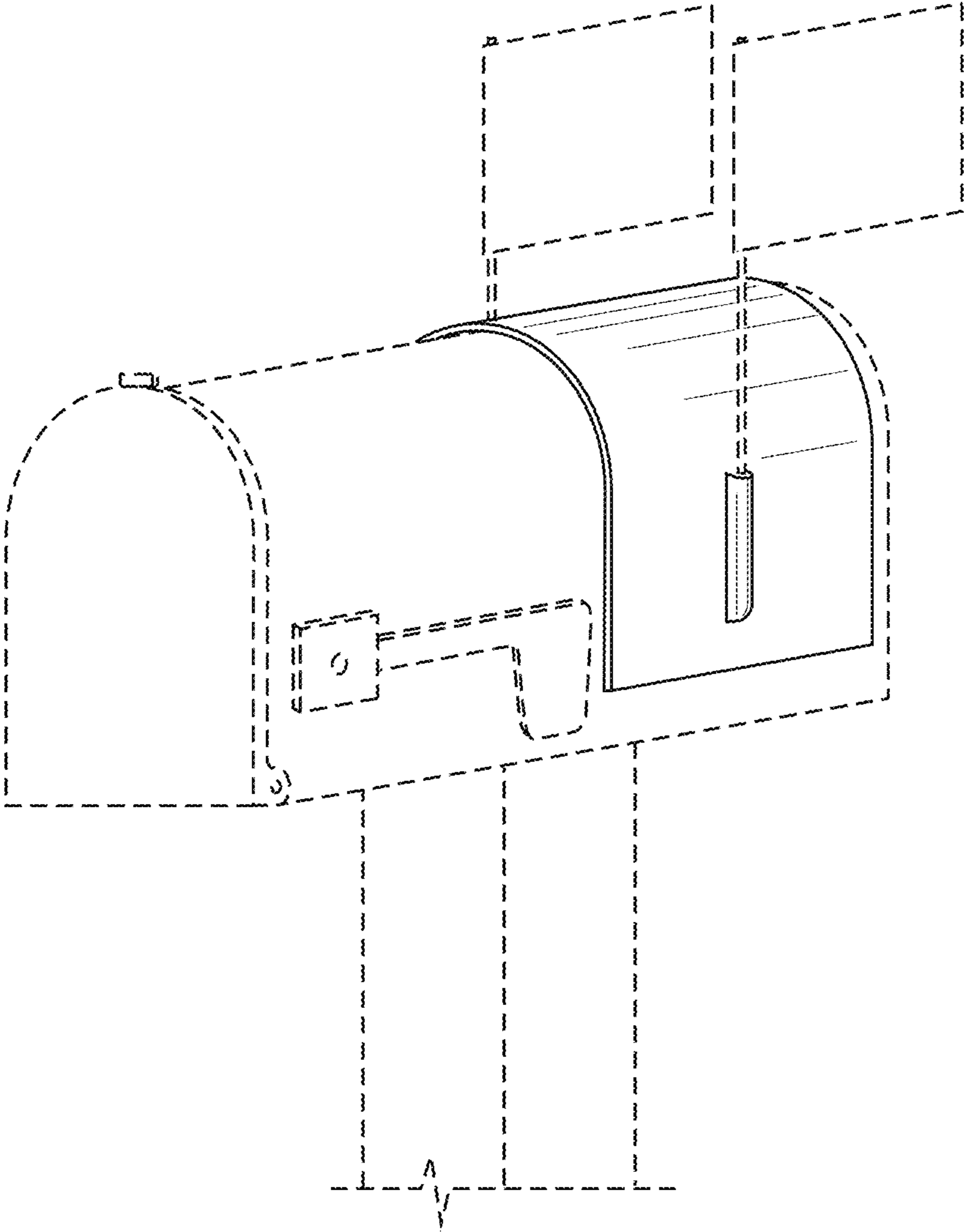


FIG. 1

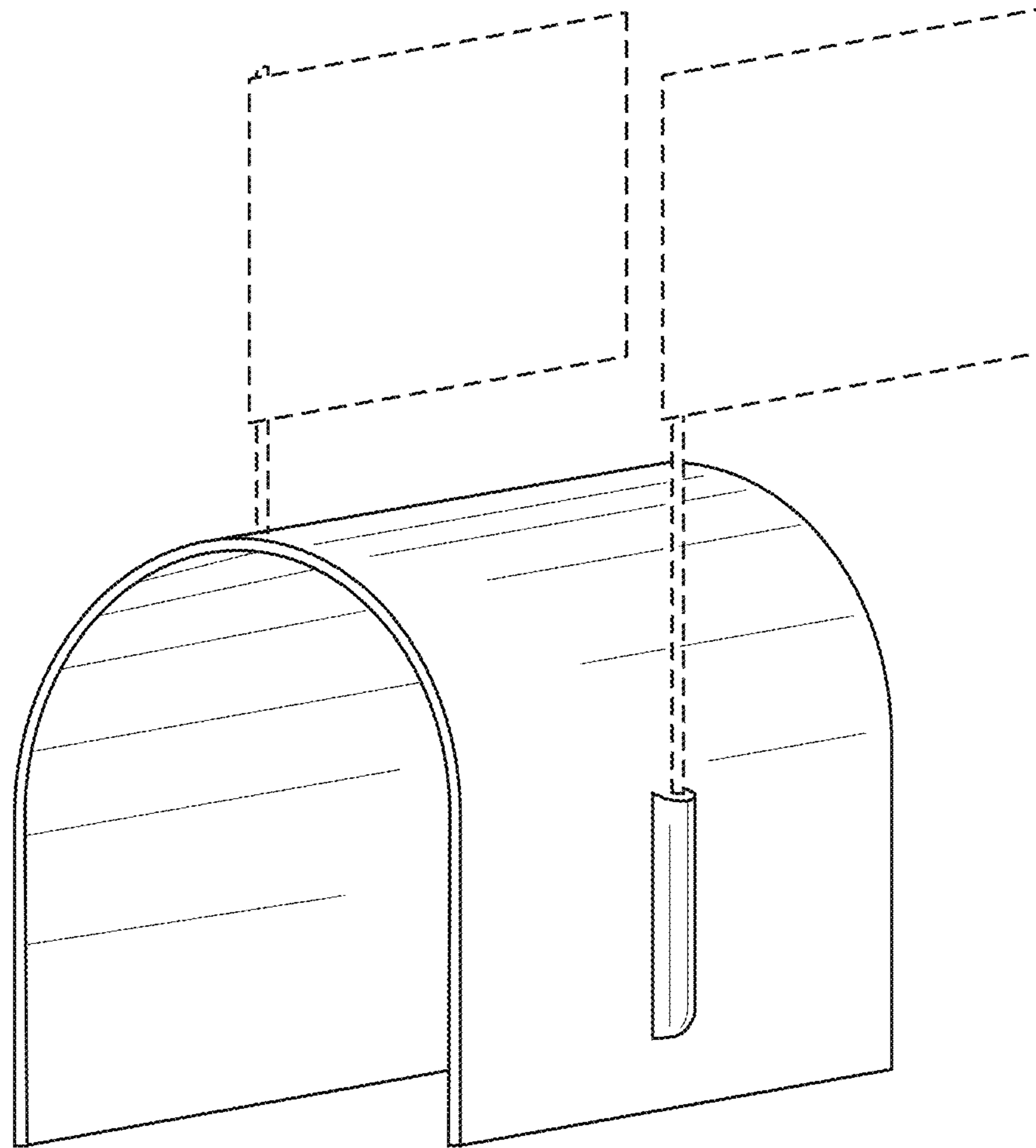


FIG. 2

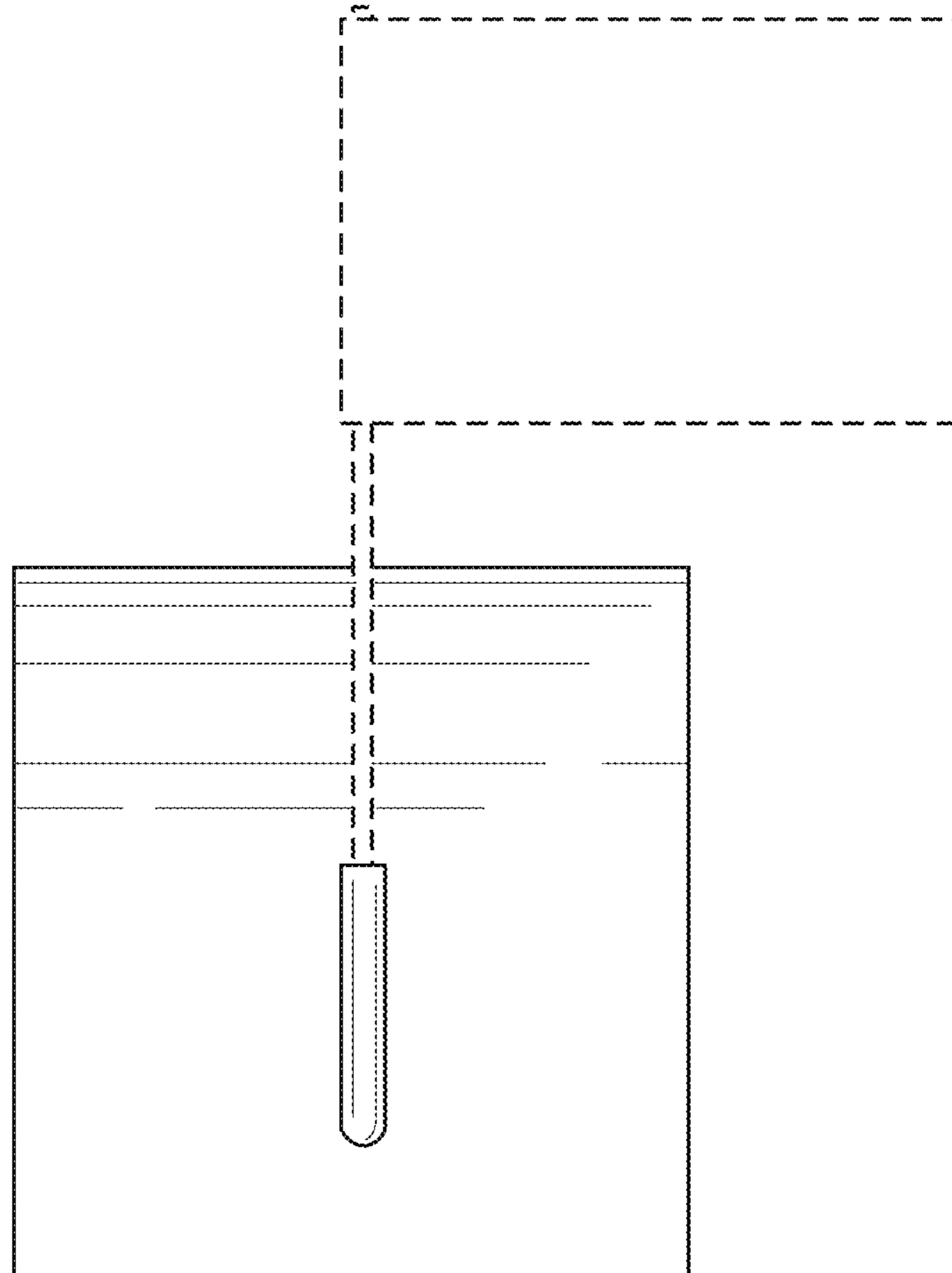


FIG. 3

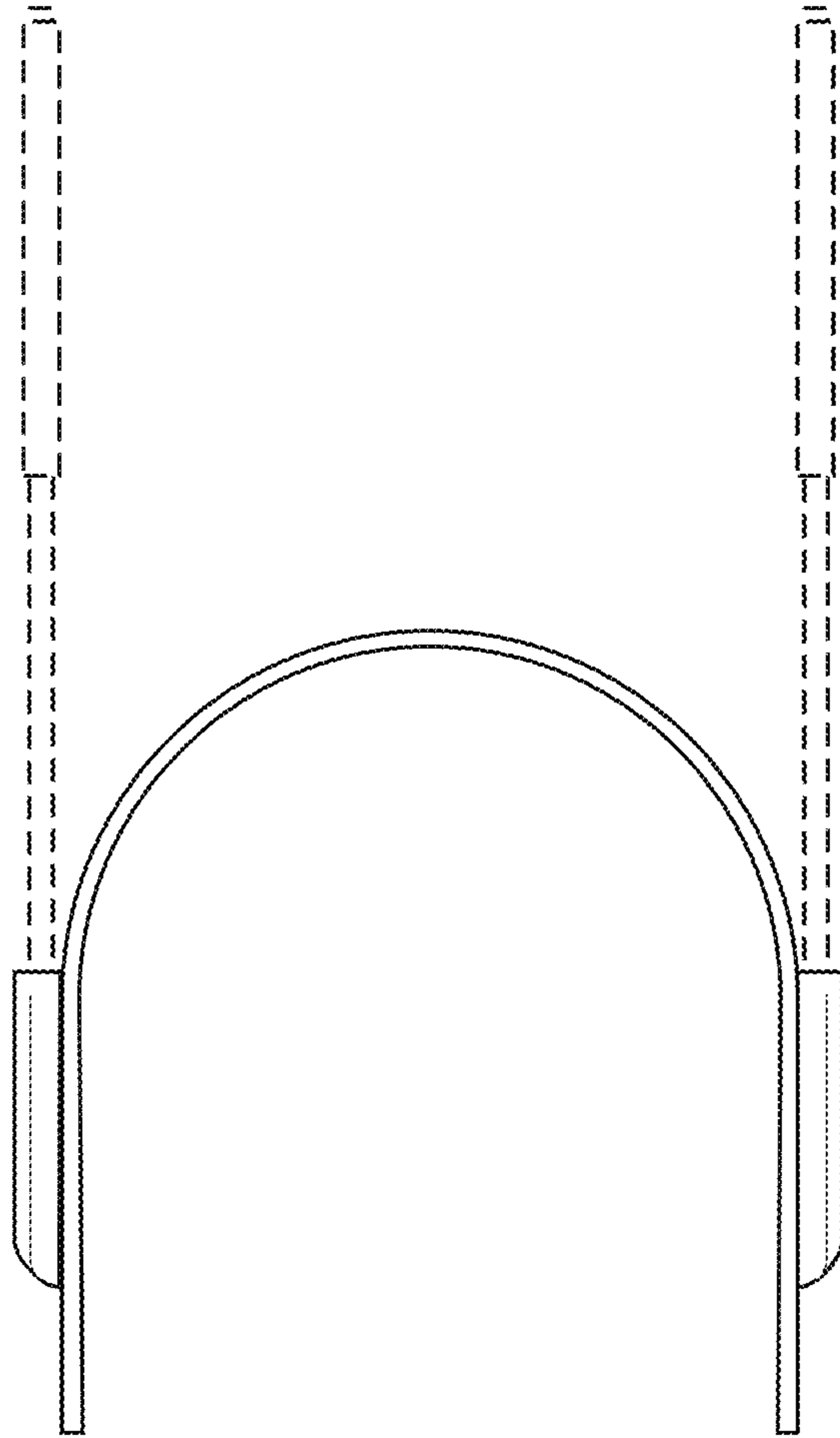


FIG. 4

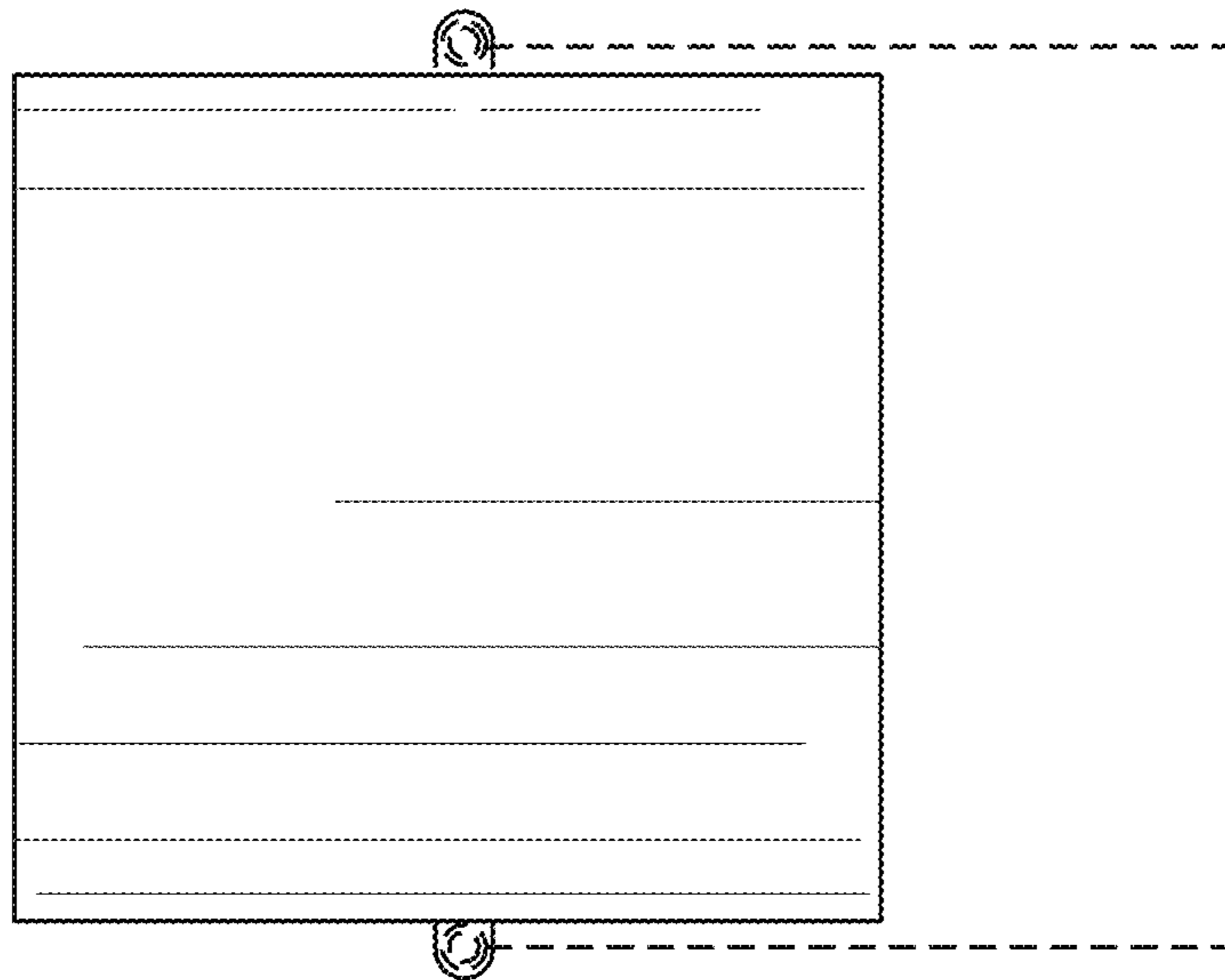


FIG. 5