



US00D828972S

(12) **United States Design Patent** (10) **Patent No.:** **US D828,972 S**
Wu (45) **Date of Patent:** **** Sep. 18, 2018**

(54) **HYDRAULIC LIFTING JACK**
(71) Applicant: **HANGZHOU YINGJIANG MACHINERY MANUFACTURING CO., LTD.**, Hangzhou, Zhejiang (CN)
(72) Inventor: **Shenghua Wu**, Zhejiang (CN)
(73) Assignee: **HANGZHOU YINGJIANG MACHINERY MANUFACTURING CO., LTD.**, Xianlin Town, Yuhang District, Hangzhou, Zhejiang (CN)

Primary Examiner — Cynthia Ramirez
Assistant Examiner — Michael A Maharajh
(74) *Attorney, Agent, or Firm* — Global IP Services; Tianhua Gu

(**) Term: **15 Years**
(21) Appl. No.: **29/571,784**
(22) Filed: **Jul. 21, 2016**
(51) **LOC (11) Cl.** **12-05**
(52) **U.S. Cl.**
USPC **D34/31**
(58) **Field of Classification Search**
USPC D34/28, 31, 35; 254/DIG. 3, 94, 93 R, 254/93 H, 8 R, 8 B, 88, 84, 2 R, 2 B, 11
CPC B66F 1/00; B66F 1/06; B66F 1/08; B66F 3/25; B66F 5/00
See application file for complete search history.

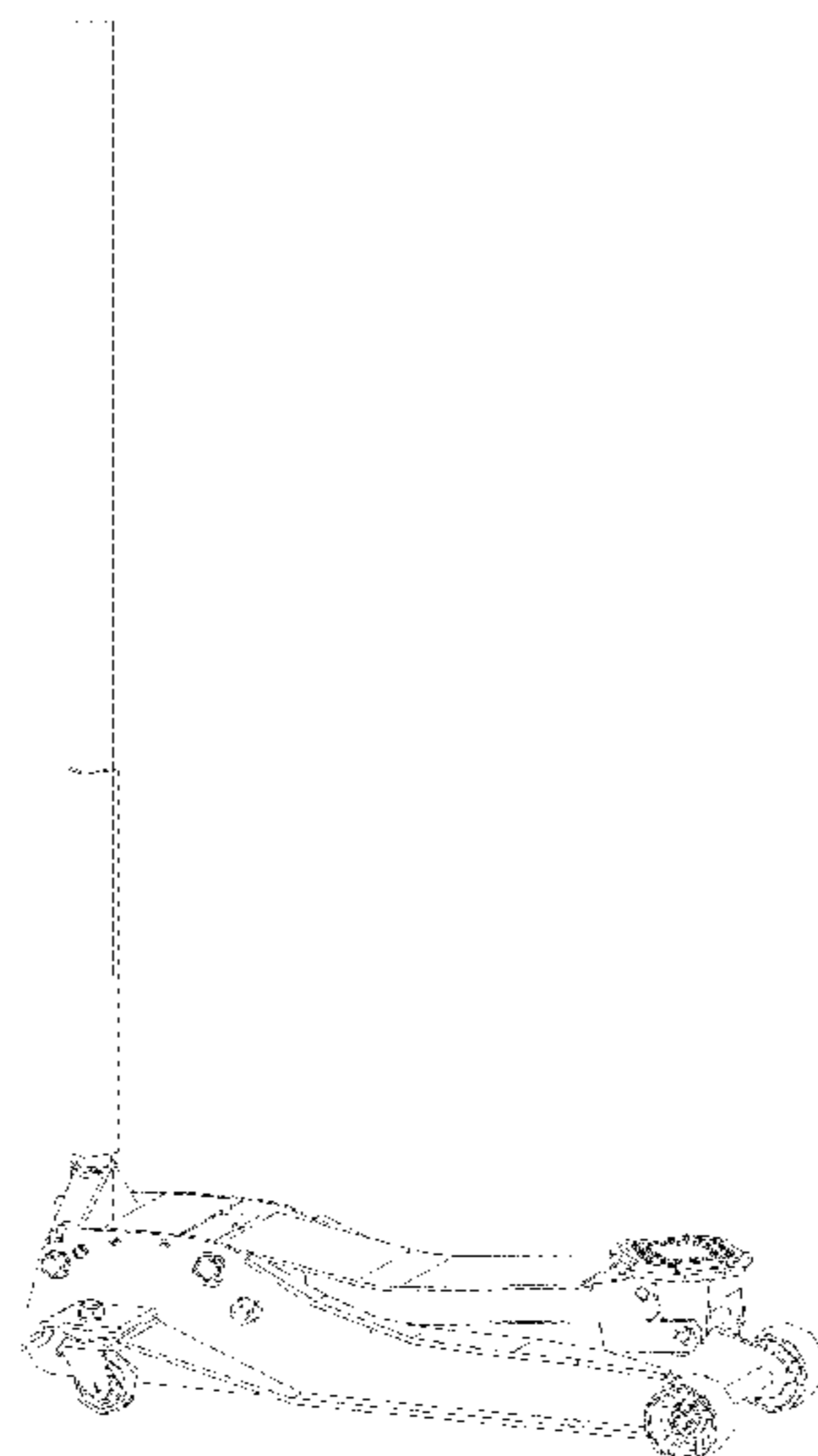
(57) **CLAIM**
The ornamental design for a hydraulic lifting jack, as shown and described.

(56) **References Cited**
U.S. PATENT DOCUMENTS
D285,855 S * 9/1986 Persson D34/31
D358,923 S * 5/1995 Hawkins D34/31
D398,730 S * 9/1998 Lin D34/31
D485,412 S * 1/2004 Hung D34/31
D582,623 S * 12/2008 Qian D34/31
D590,121 S * 4/2009 Shen D34/31
D604,025 S * 11/2009 Lin D34/31
D720,915 S * 1/2015 Fox D34/31

DESCRIPTION
FIG. 1 is a rear perspective view of a hydraulic lifting jack showing my new design;
FIG. 2 is a front elevation view thereof;
FIG. 3 is a rear elevation view thereof;
FIG. 4 is a top plan view thereof;
FIG. 5 is a bottom plan view thereof;
FIG. 6 is a left side elevation view thereof;
FIG. 7 is a right side elevation view thereof;
FIG. 8 is a rear perspective view of the body of the hydraulic lifting jack;
FIG. 9 is a front elevation view thereof;
FIG. 10 is a rear elevation view thereof;
FIG. 11 is a top plan view thereof;
FIG. 12 is a bottom plan view thereof;
FIG. 13 is a left side elevation view thereof;
FIG. 14 is a right side elevation view thereof;
FIG. 15 is a front elevation view of the handle of the hydraulic lifting jack, the rear, left or right elevation views is a mirror view thereof;
FIG. 16 is a top plan view thereof; and,
FIG. 17 is a bottom plan view thereof.
In FIGS. 8 through 17, the body of the hydraulic lifting jack and the handle are shown separately for convenience of illustration.
The broken lines shown in the figures are for the purpose of illustrating portions of the hydraulic lifting jack and form no part of the claimed design.

OTHER PUBLICATIONS
Weiku “3½t Garage Jack”, <http://yingjiang.company.weiku.com/item/3-1-2t-Garage-Jack-8094588.html>. Jun. 16, 2017. shown in p. 1, Item # YLZ3-1/2WL.*

1 Claim, 11 Drawing Sheets



(56)

References Cited

U.S. PATENT DOCUMENTS

D730,612 S *	5/2015	James	D34/31
D760,989 S *	7/2016	Martinez Martinez	D34/31
D764,736 S *	8/2016	Fox	D34/31
2016/0107869 A1 *	4/2016	Arzouman	B66F 1/02 254/14

* cited by examiner

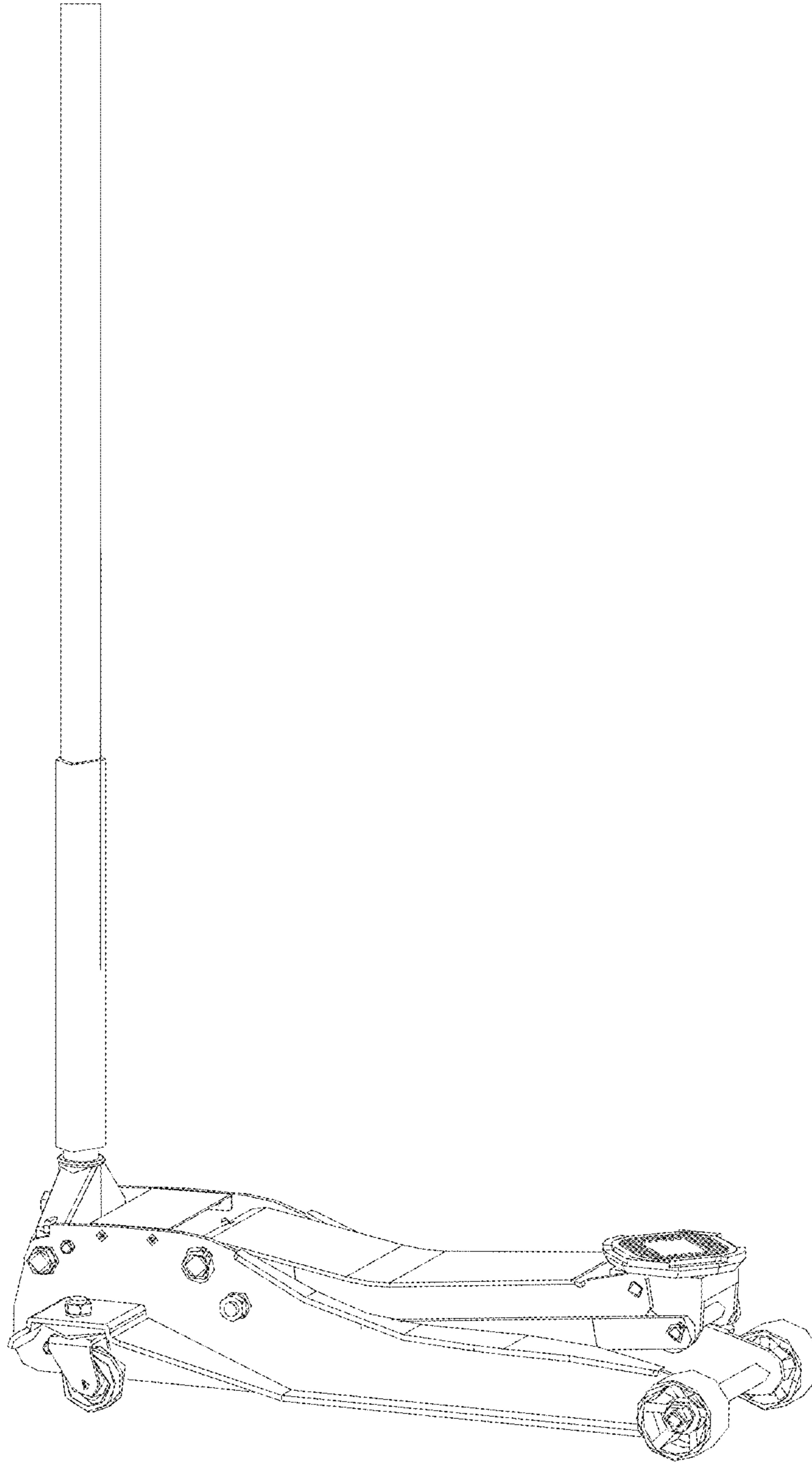


FIG1

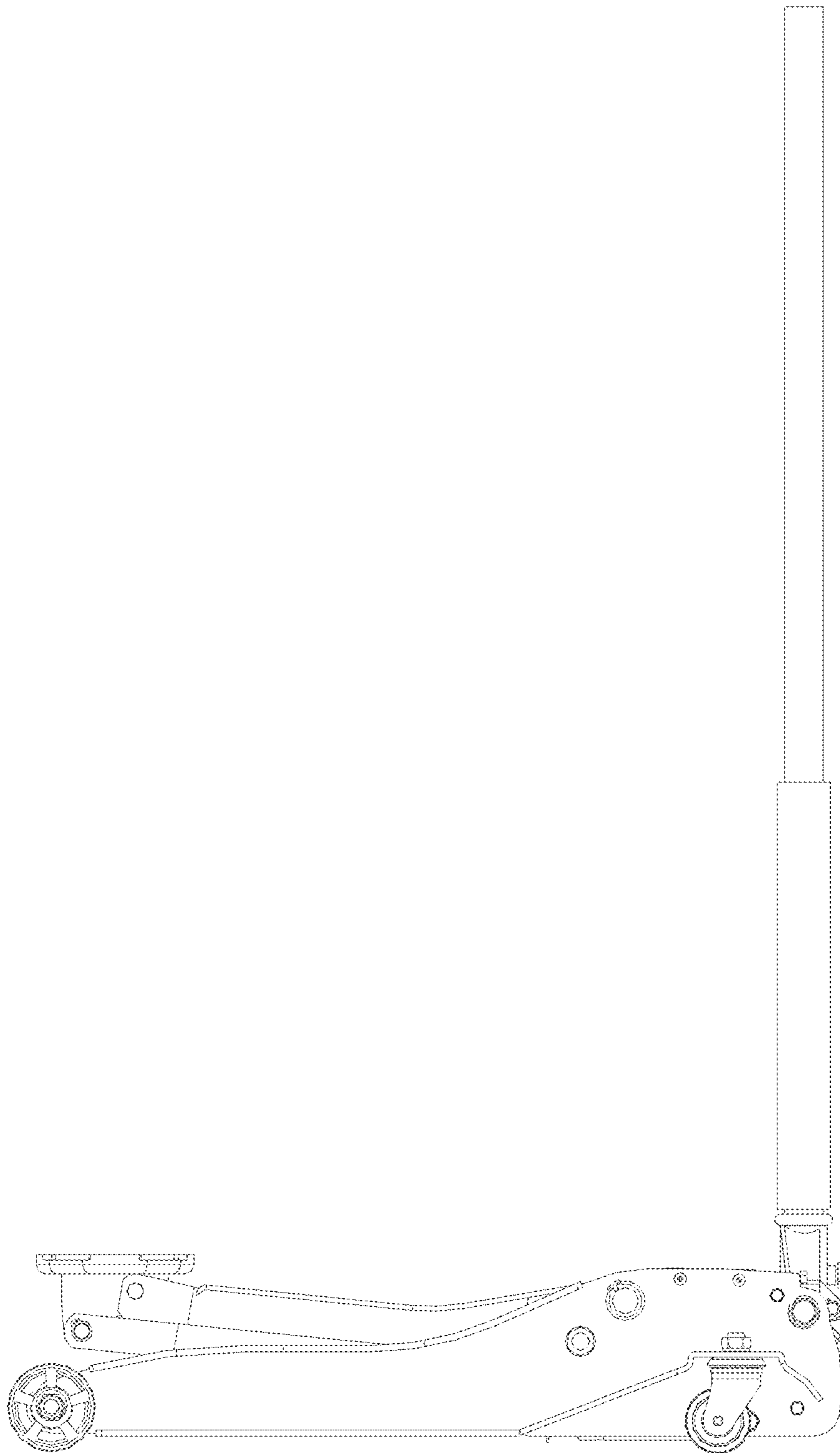


FIG.2

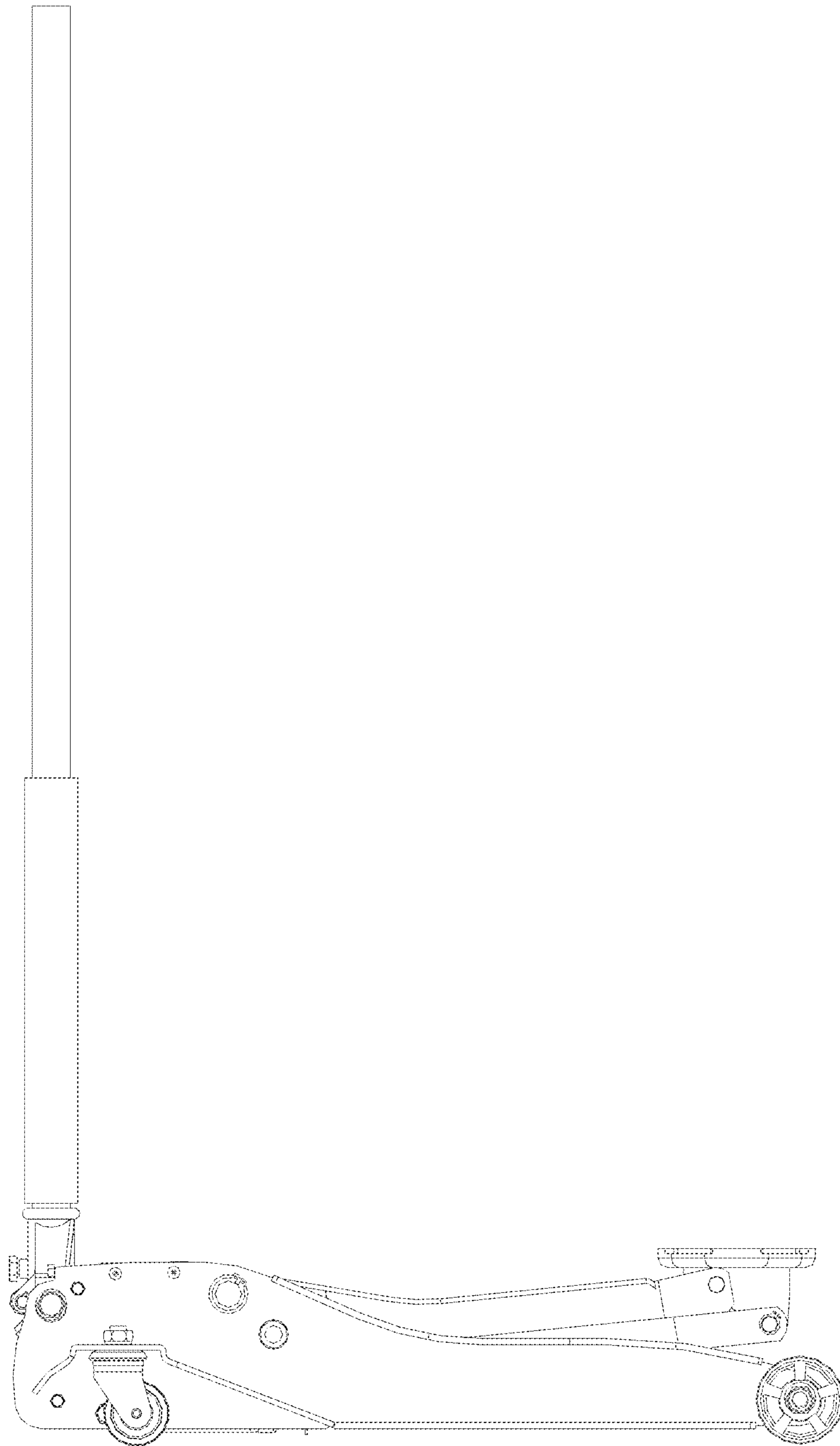


FIG.3

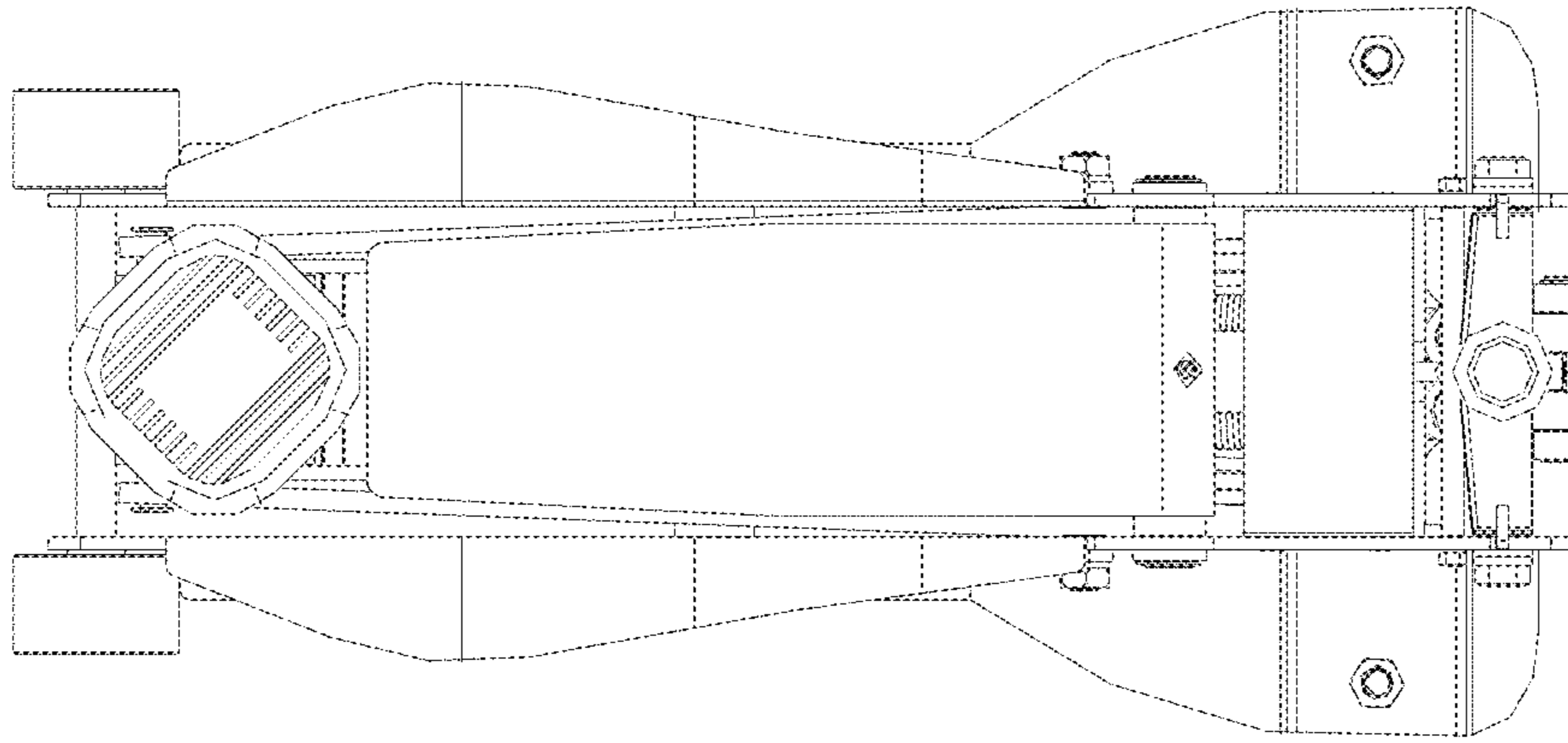


FIG.4

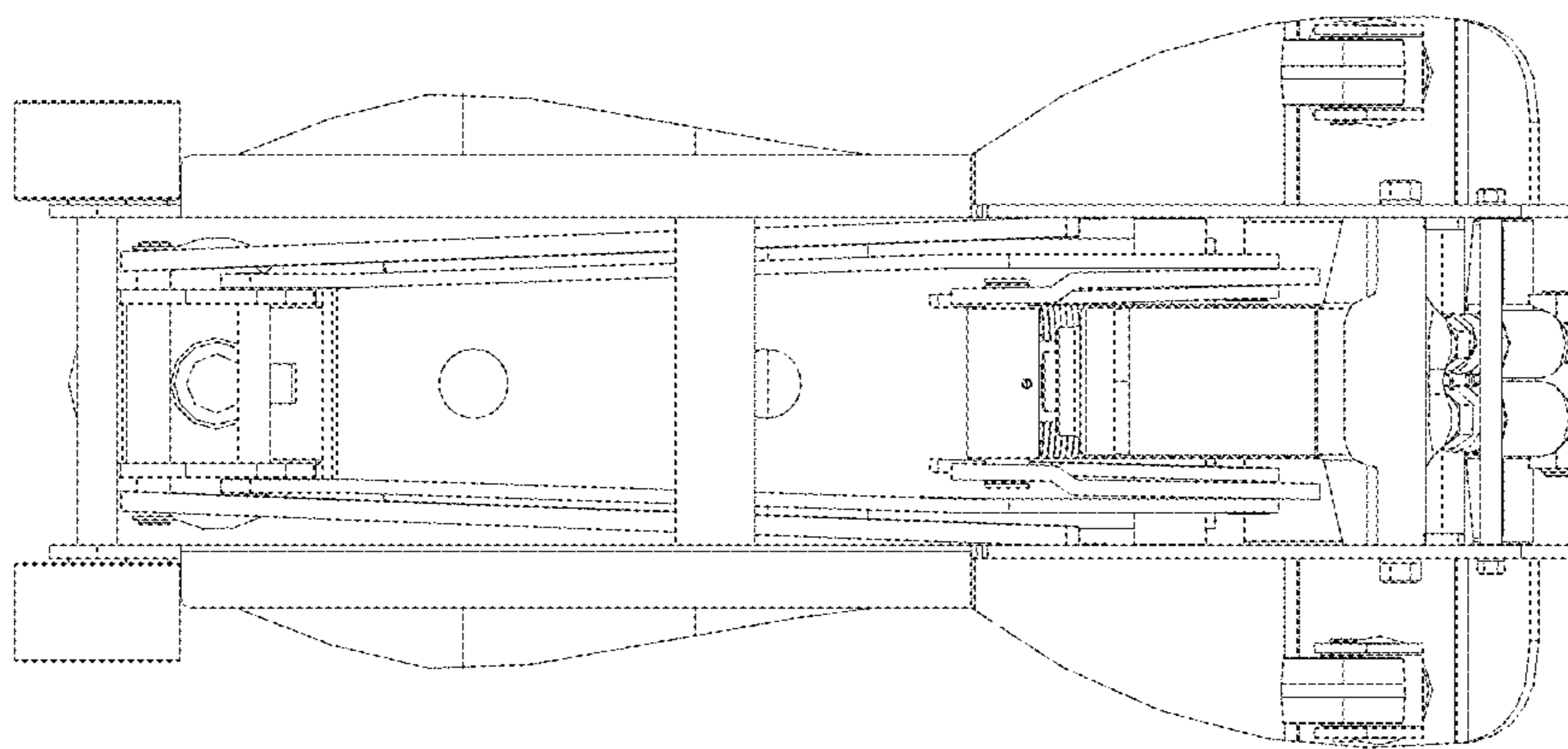


FIG.5

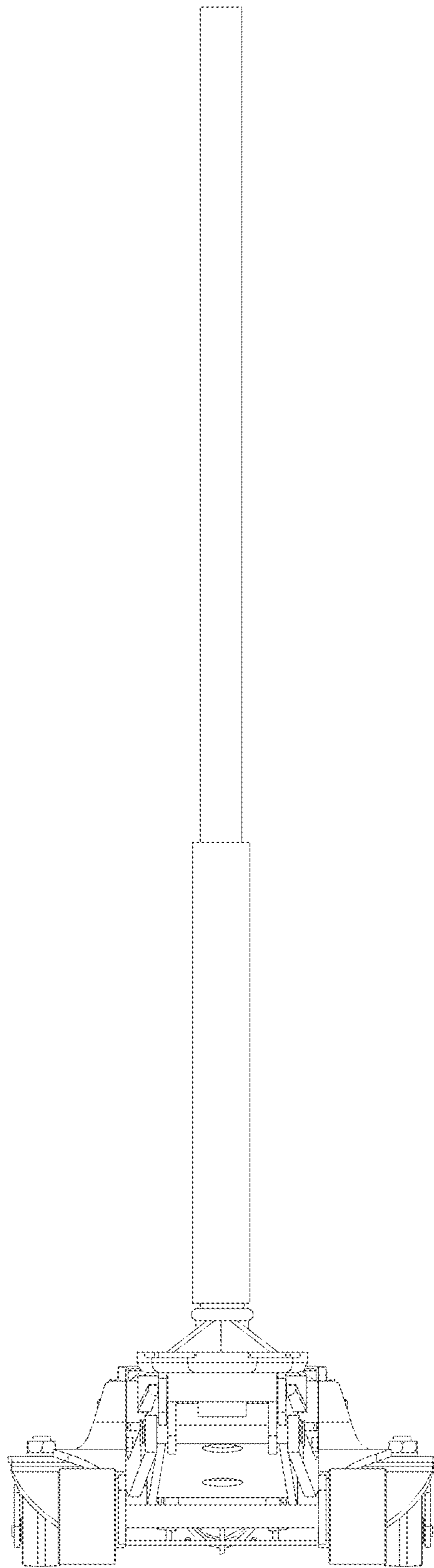


FIG.6

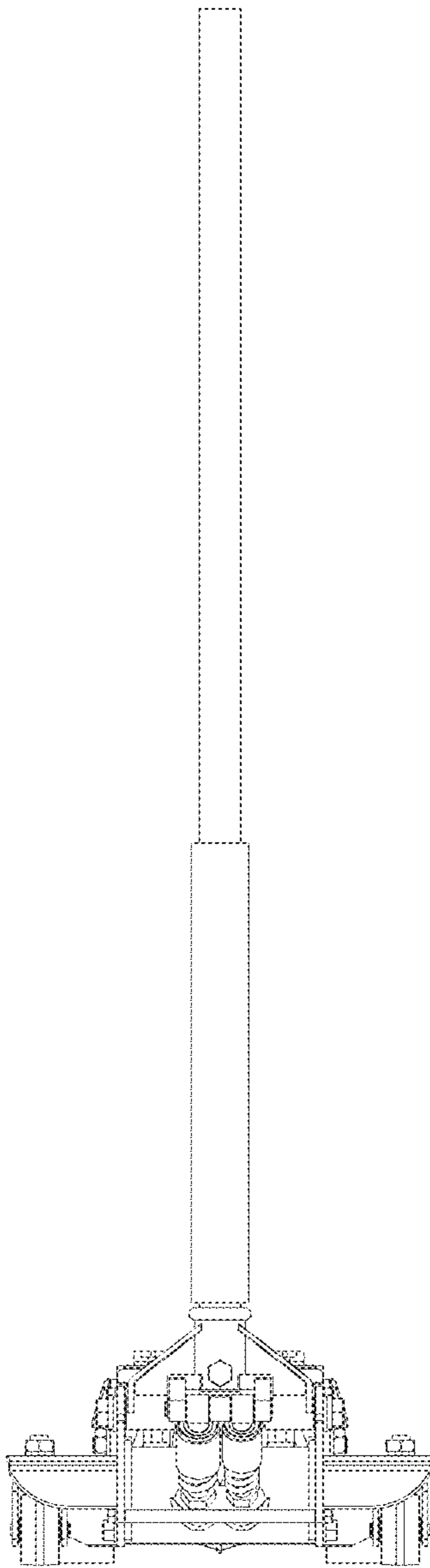


FIG.7

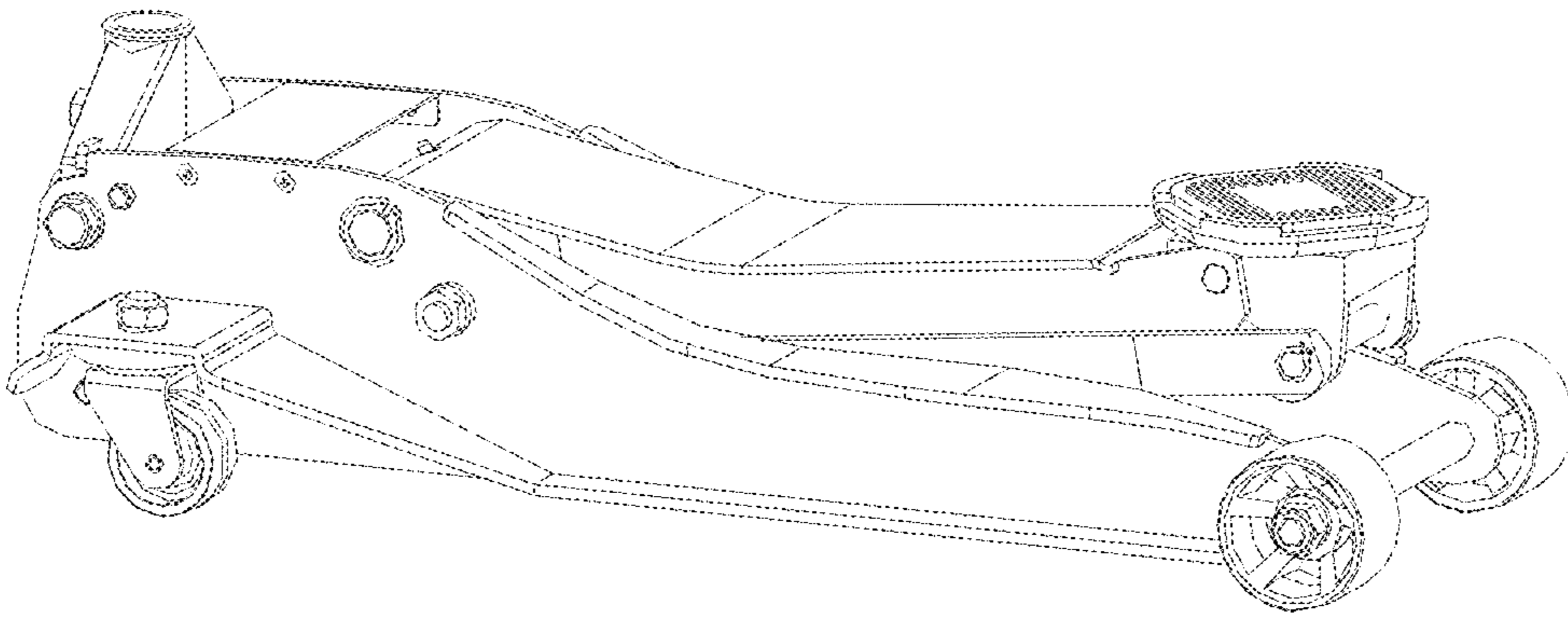


FIG.8

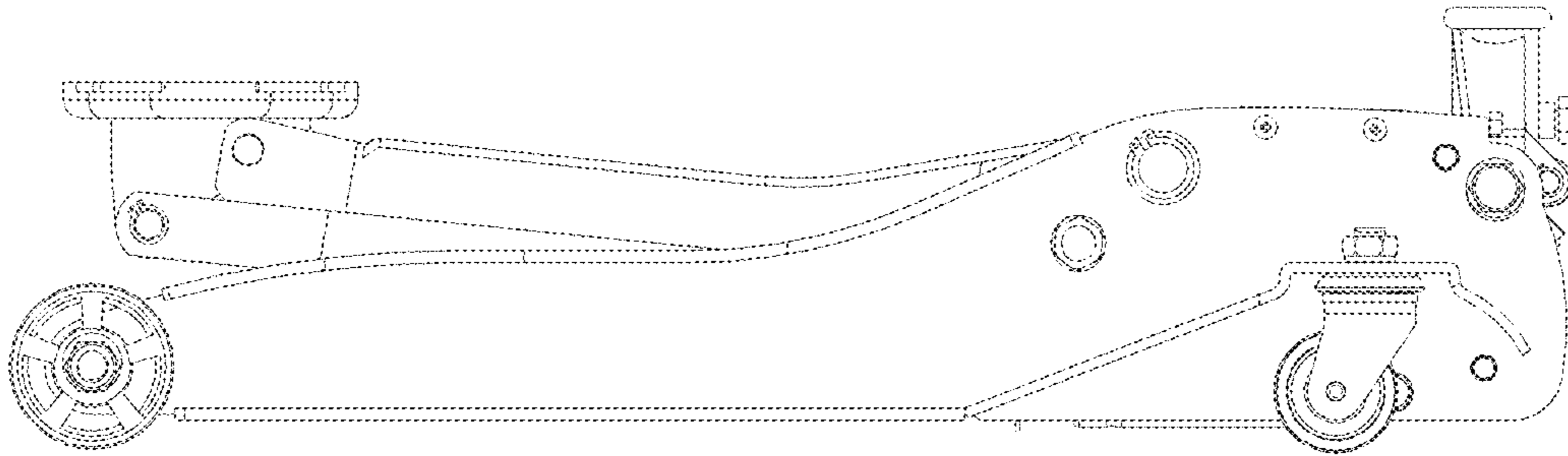


FIG.9

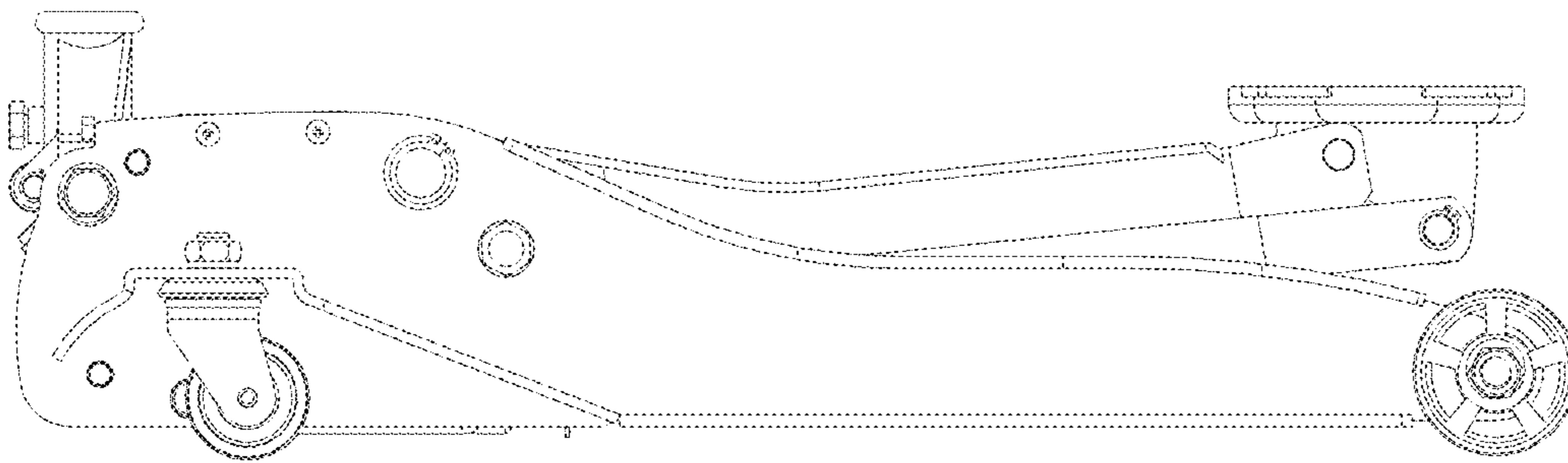


FIG.10

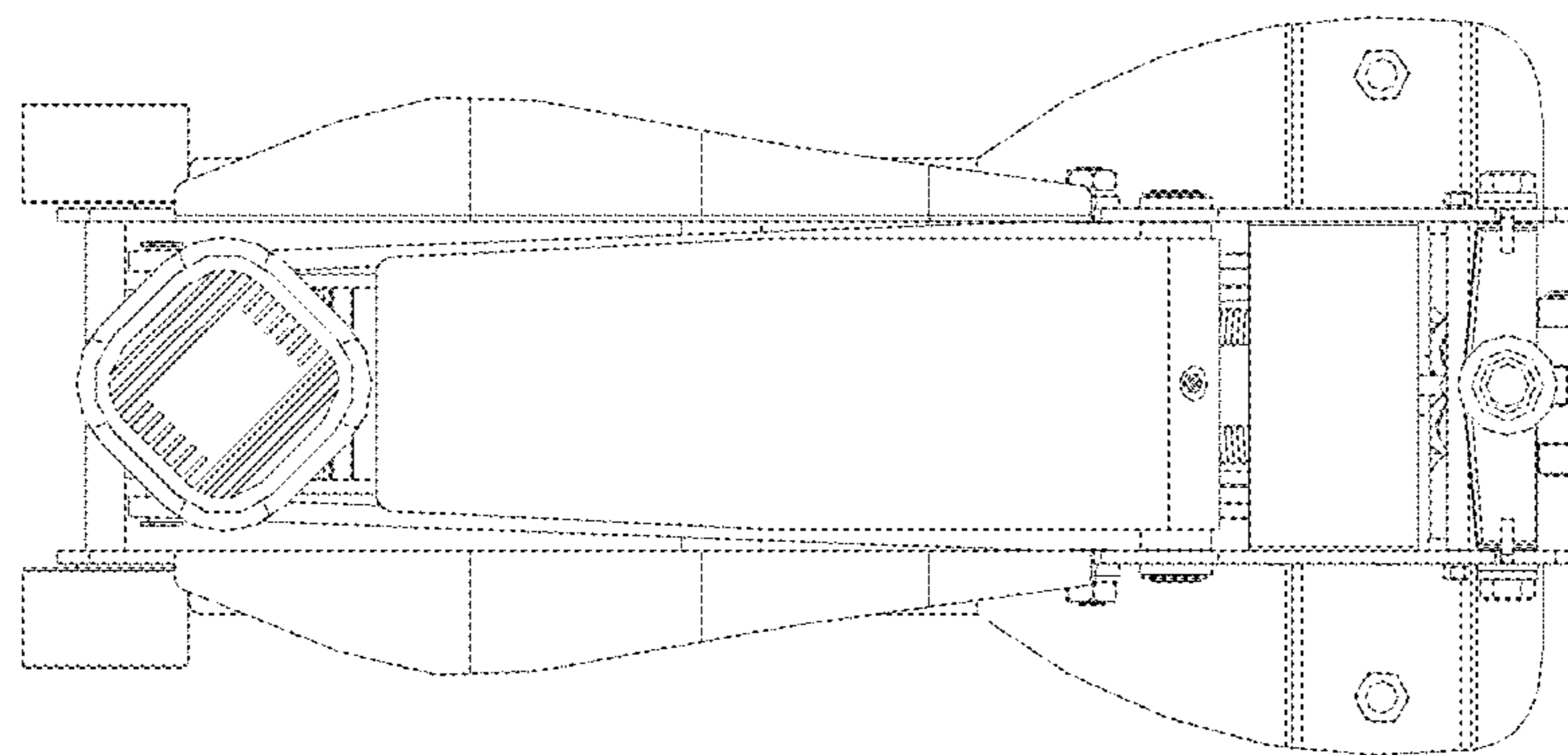


FIG11

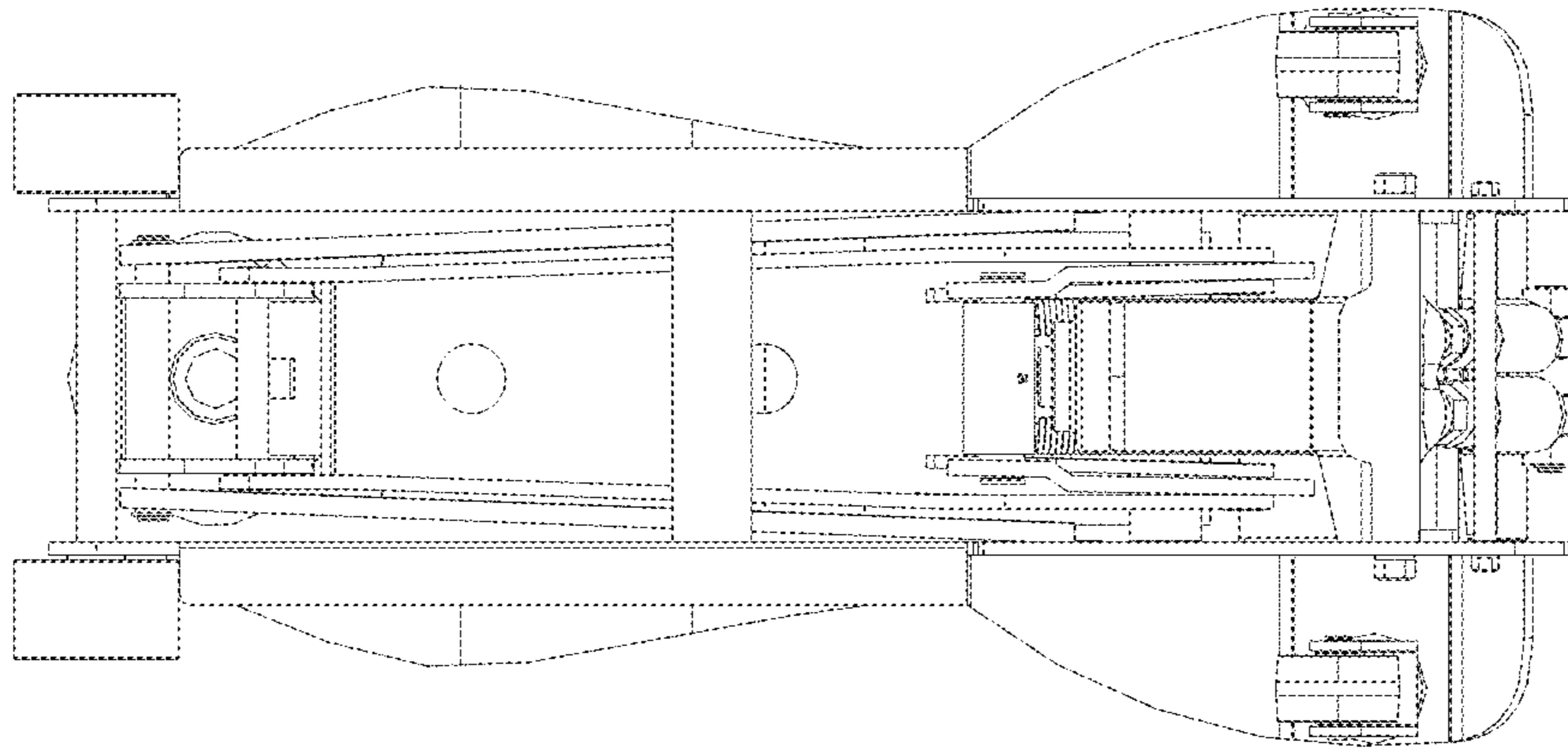


FIG.12

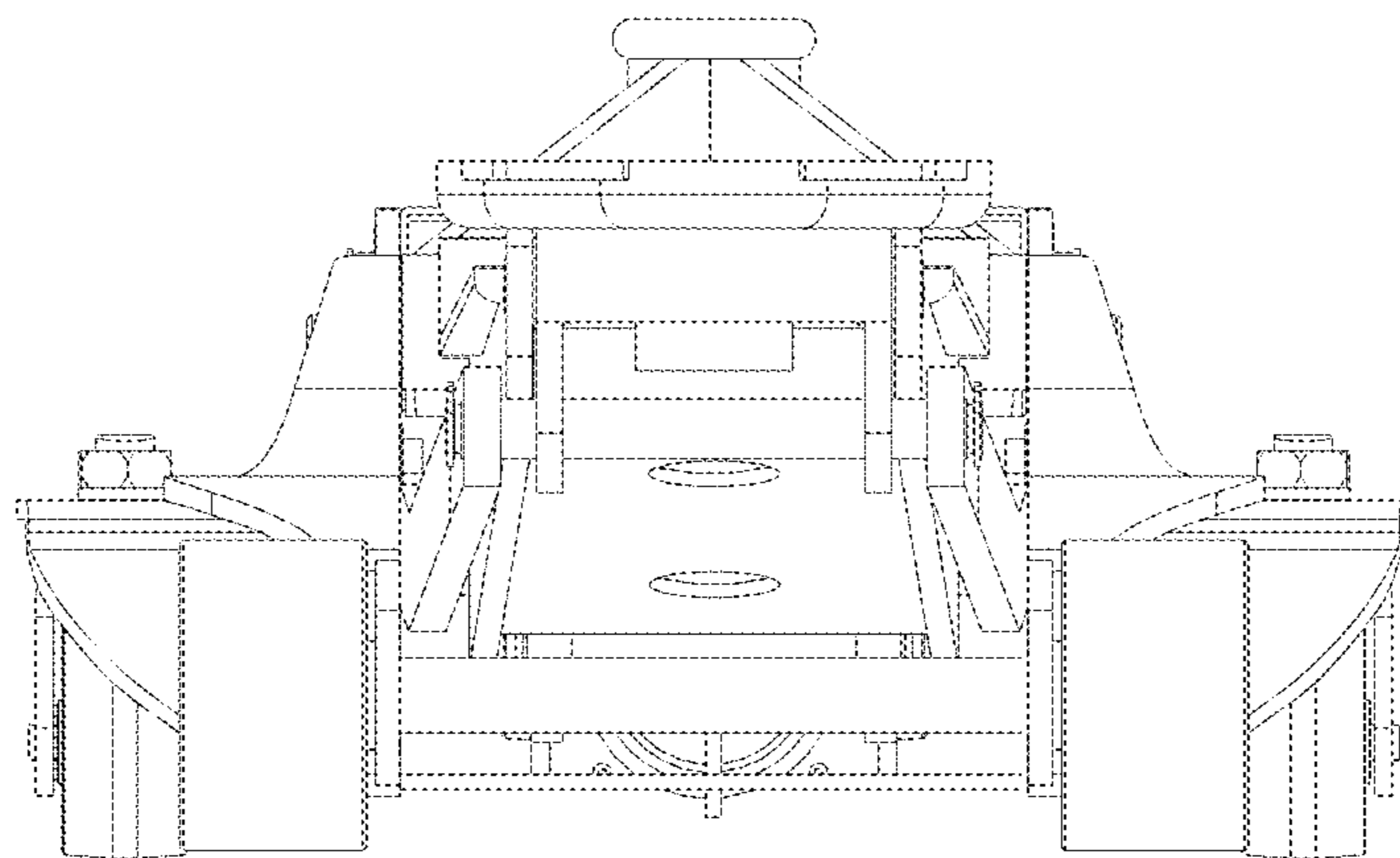


FIG.13

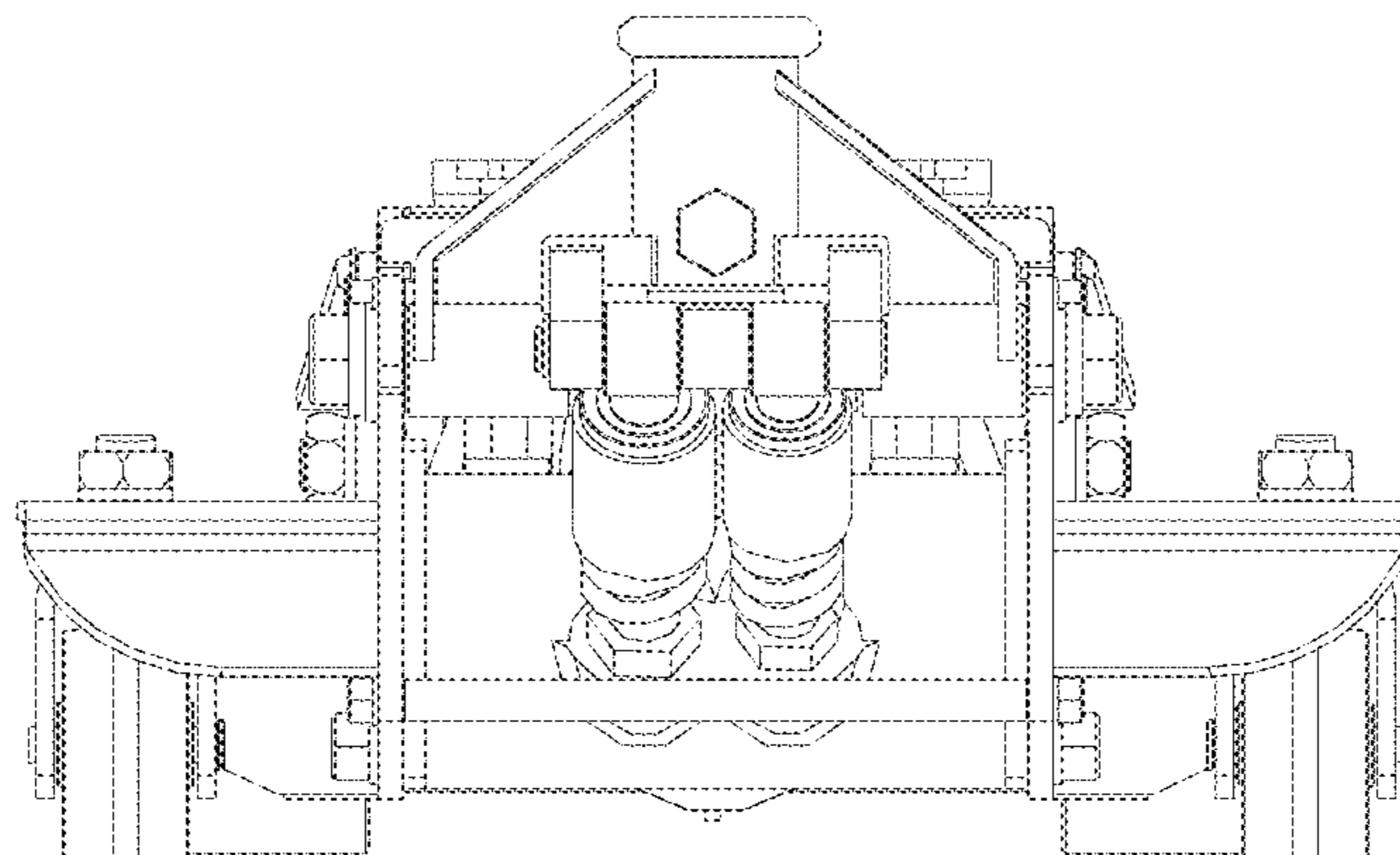


FIG.14



FIG. 15

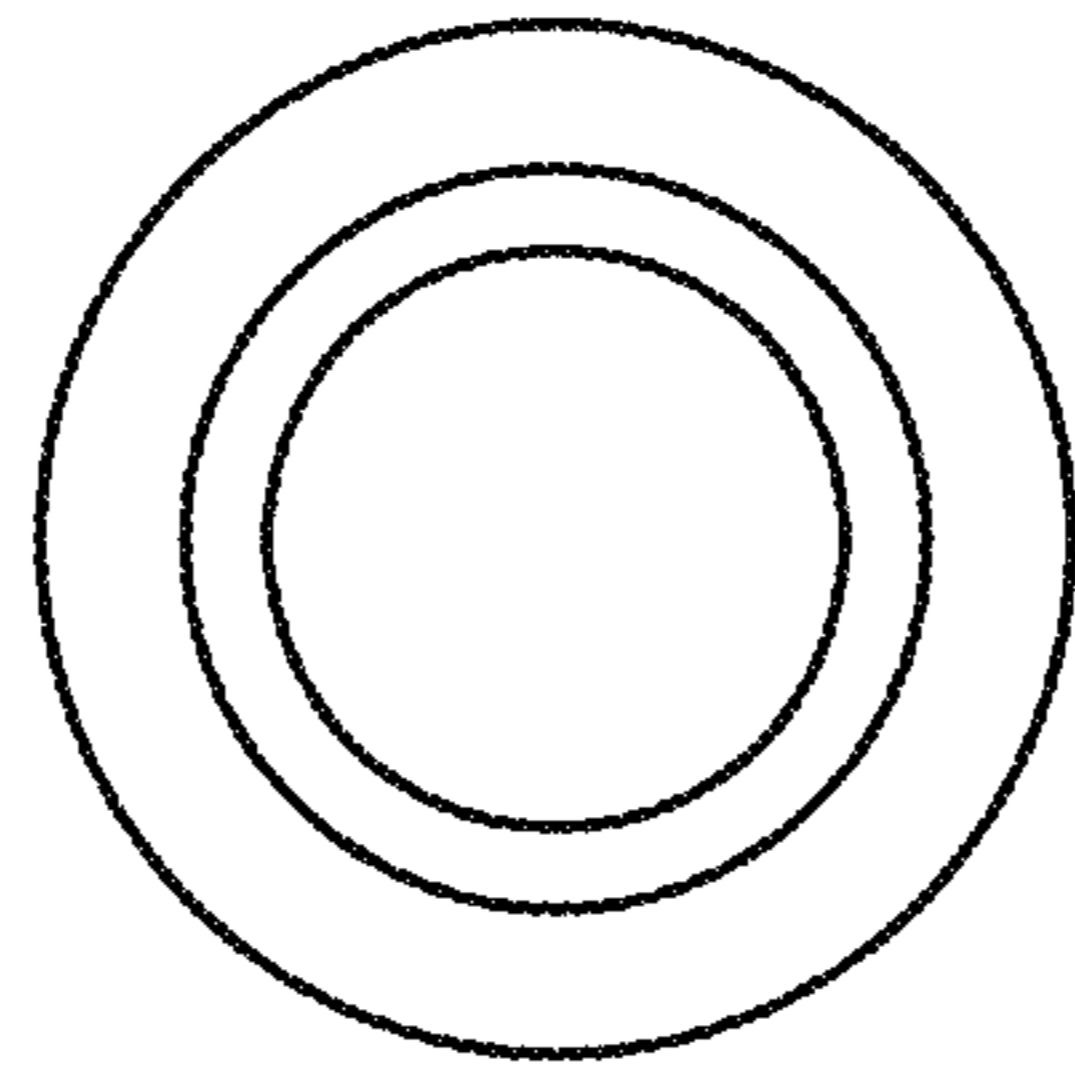


FIG. 16

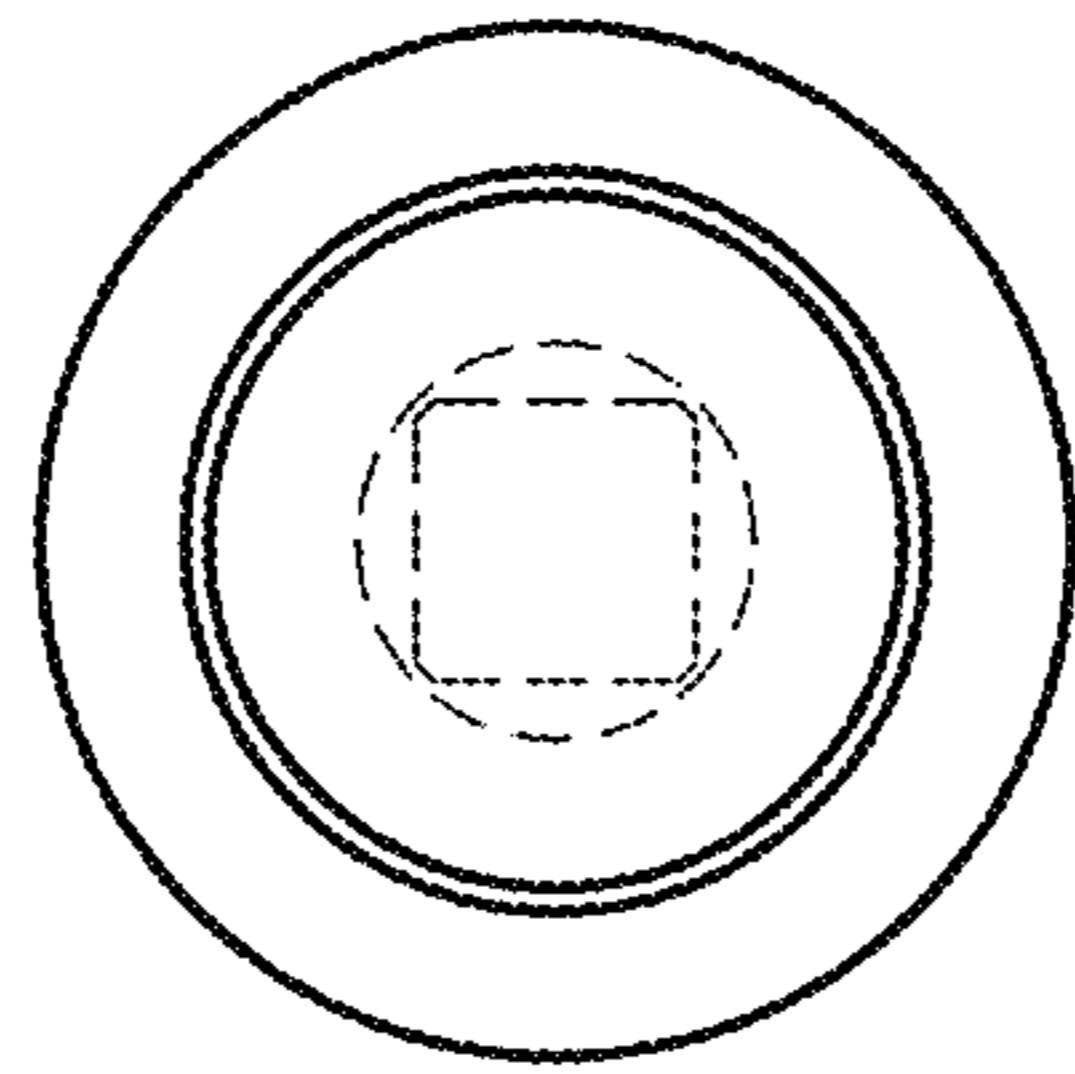


FIG. 17