



US00D828971S

(12) **United States Design Patent** (10) **Patent No.:** **US D828,971 S**
Cai et al. (45) **Date of Patent:** **** Sep. 18, 2018**

(54) **HAND CART**

(71) Applicant: **ROE Visual Co., Ltd.**, Shenzhen, Guangdong (CN)

(72) Inventors: **Danhu Cai**, Guangdong (CN); **Zhanqiang Li**, Guangdong (CN); **Xuhua Jiang**, Guangdong (CN); **Hong Zhang**, Guangdong (CN)

(73) Assignee: **ROE Visual Co., Ltd.**, Shenzhen (CN)

(**) Term: **15 Years**

(21) Appl. No.: **29/588,943**

(22) Filed: **Dec. 25, 2016**

(30) **Foreign Application Priority Data**

Jul. 13, 2016 (CN) 2016 3 0319279

(51) **LOC (11) Cl.** **12-02**

(52) **U.S. Cl.**
USPC **D34/21**

(58) **Field of Classification Search**
USPC D34/12-27; 280/79.3, 47.35, 651
CPC B62B 3/008; B62B 3/025; B62B 3/106;
B62B 3/04; B62B 3/108; B62B 3/1404;
B62B 3/1412; B62B 3/1424; B62B
3/1468;

(Continued)

(56) **References Cited**

U.S. PATENT DOCUMENTS

3,007,708 A * 11/1961 Ochs A47B 55/02
108/107
3,101,148 A * 8/1963 Brown A47F 5/13
108/163

(Continued)

Primary Examiner — Cynthia Ramirez

(57) **CLAIM**

The ornamental design for a hand cart, as shown and described.

DESCRIPTION

The patent or application file contains at least one drawing executed in color. Copies of this patent or patent application publication with color drawing(s) will be provided by the Office upon request and payment of the necessary fee.

FIG. 1 is a first perspective view of a hand cart showing our new design;

FIG. 2 is an enlarged view of portion 2 of FIG. 1;

FIG. 3 is an enlarged view of portion 3 of FIG. 1;

FIG. 4 is an enlarged view of portion 4 of FIG. 1;

FIG. 5 is an enlarged view of portion 5 of FIG. 1;

FIG. 6 is an enlarged view of portion 6 of FIG. 1;

FIG. 7 is a second perspective view of FIG. 1;

FIG. 8 is an enlarged view of portion 8 of FIG. 7;

FIG. 9 is an enlarged view of portion 9 of FIG. 7;

FIG. 10 is an enlarged view of portion 10 of FIG. 7;

FIG. 11 is an enlarged view of portion 11 of FIG. 7;

FIG. 12 is a third perspective view of FIG. 1;

FIG. 13 is an enlarged view of portion 13 of FIG. 12;

FIG. 14 is an enlarged view of portion 14 of FIG. 12;

FIG. 15 is an enlarged view of portion 15 of FIG. 12;

FIG. 16 is an enlarged view of portion 16 of FIG. 12;

FIG. 17 is a fourth perspective view of FIG. 1;

FIG. 18 is an enlarged view of portion 18 of FIG. 17;

FIG. 19 is an enlarged view of portion 19 of FIG. 17;

FIG. 20 is an enlarged view of portion 20 of FIG. 17;

FIG. 21 is an enlarged view of portion 21 of FIG. 17;

FIG. 22 is a fifth perspective view of FIG. 1;

FIG. 23 is an enlarged view of portion 23 of FIG. 22;

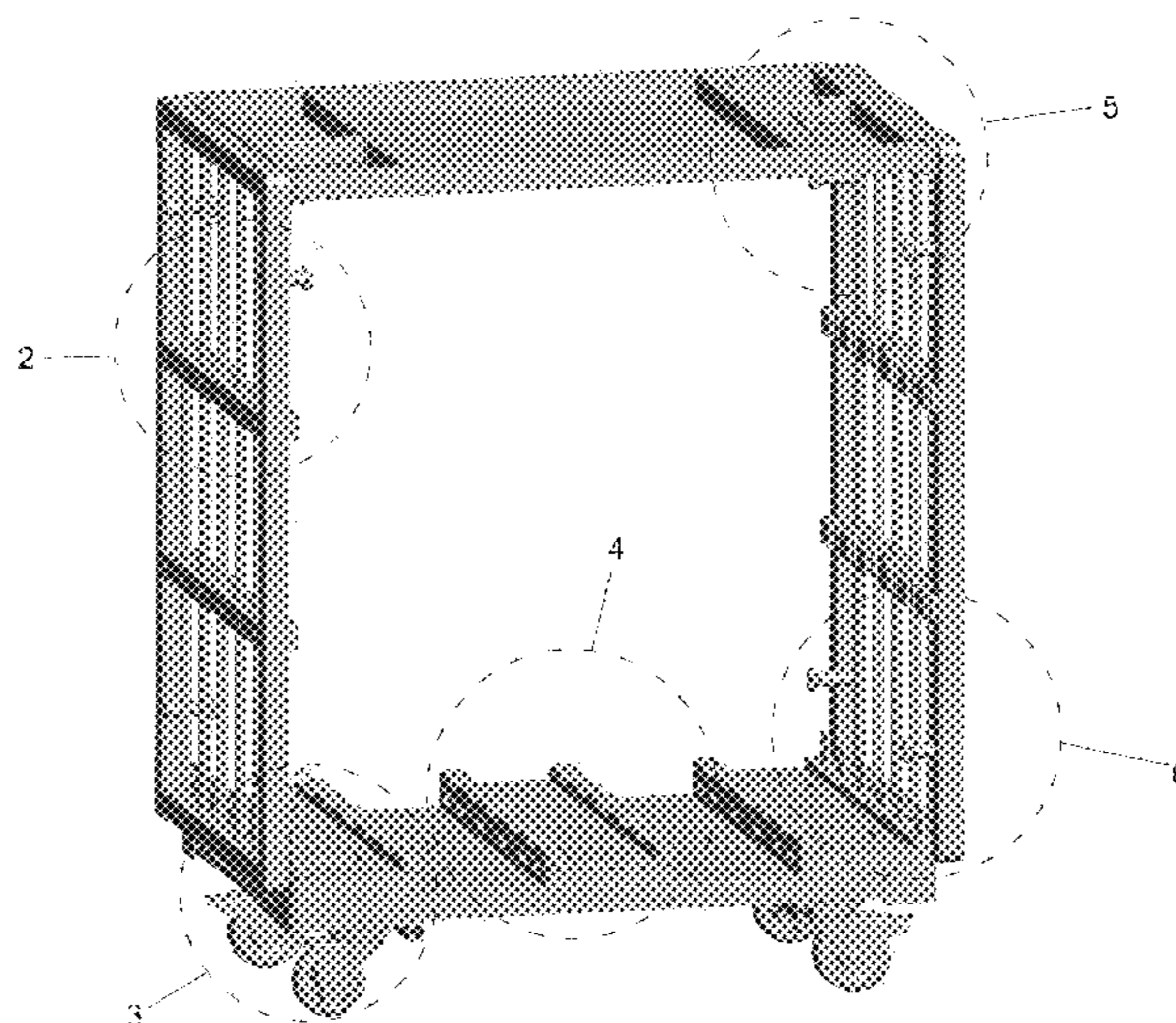
FIG. 24 is an enlarged view of portion 24 of FIG. 22;

FIG. 25 is an enlarged view of portion 25 of FIG. 22;

FIG. 26 is an enlarged view of portion 26 of FIG. 22; and,

FIG. 27 is an enlarged view of portion 27 of FIG. 22.

1 Claim, 27 Drawing Sheets
(27 of 27 Drawing Sheet(s) Filed in Color)



(58) **Field of Classification Search**

CPC B62B 5/064; B62B 5/0423; B62B 5/0438;
B62B 5/0442; B62B 5/048

See application file for complete search history.

(56) **References Cited**

U.S. PATENT DOCUMENTS

3,782,746	A *	1/1974	Isaacs	B62B 3/002
				280/33.996
3,840,243	A *	10/1974	Rheinhart	B62B 3/002
				280/33.996
4,986,555	A *	1/1991	Andreen	A47L 13/10
				280/47.35
D324,285	S *	2/1992	Macy	D34/17
D341,689	S *	11/1993	Putman	D34/17
D341,690	S *	11/1993	Putman	D34/17
D678,640	S *	3/2013	Es	D34/21
D678,641	S *	3/2013	Es	D34/21
D690,484	S *	9/2013	Van Es	D34/21
10,011,290	B2 *	7/2018	Abel	B62B 3/005

* cited by examiner

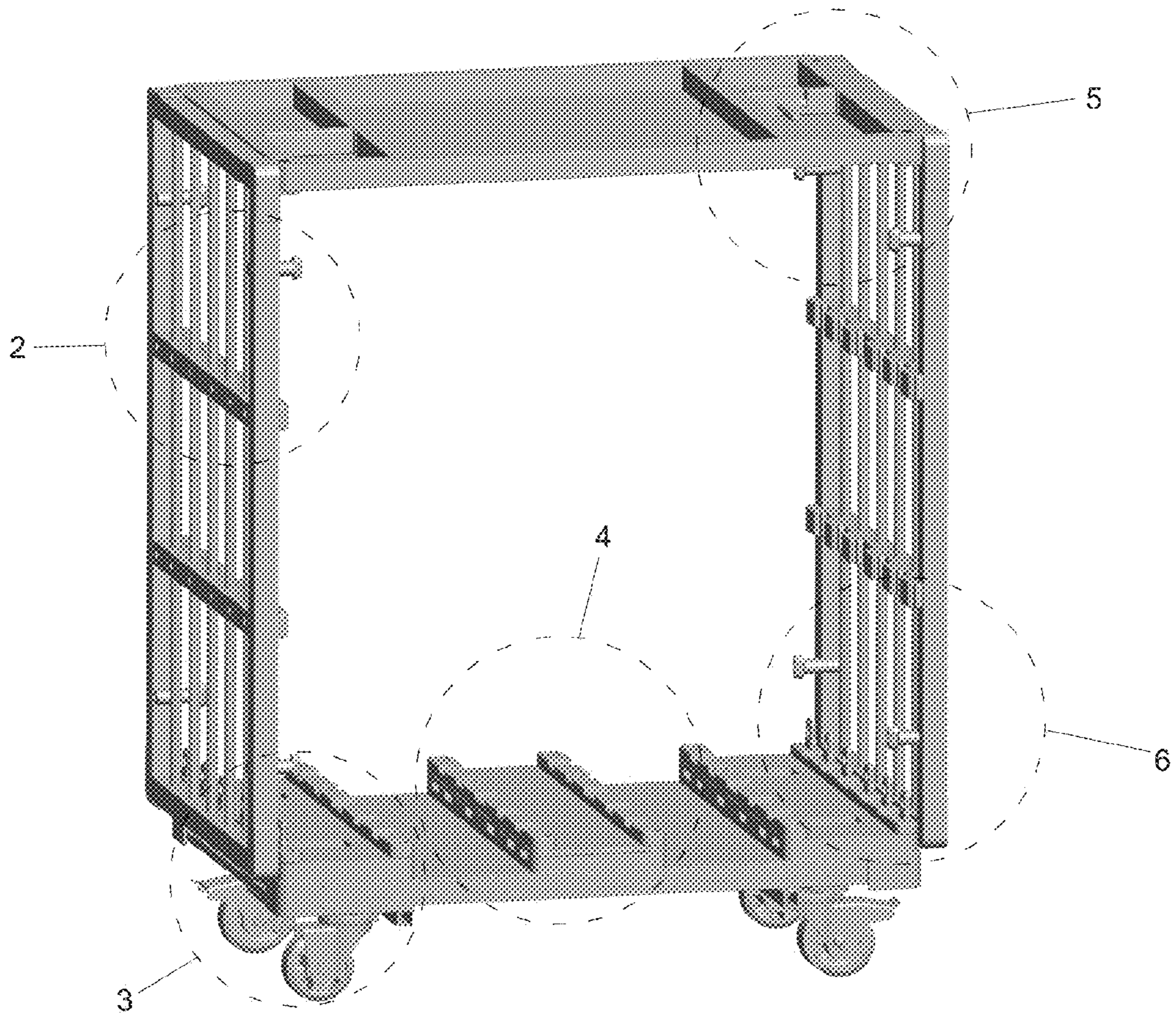


Fig. 1

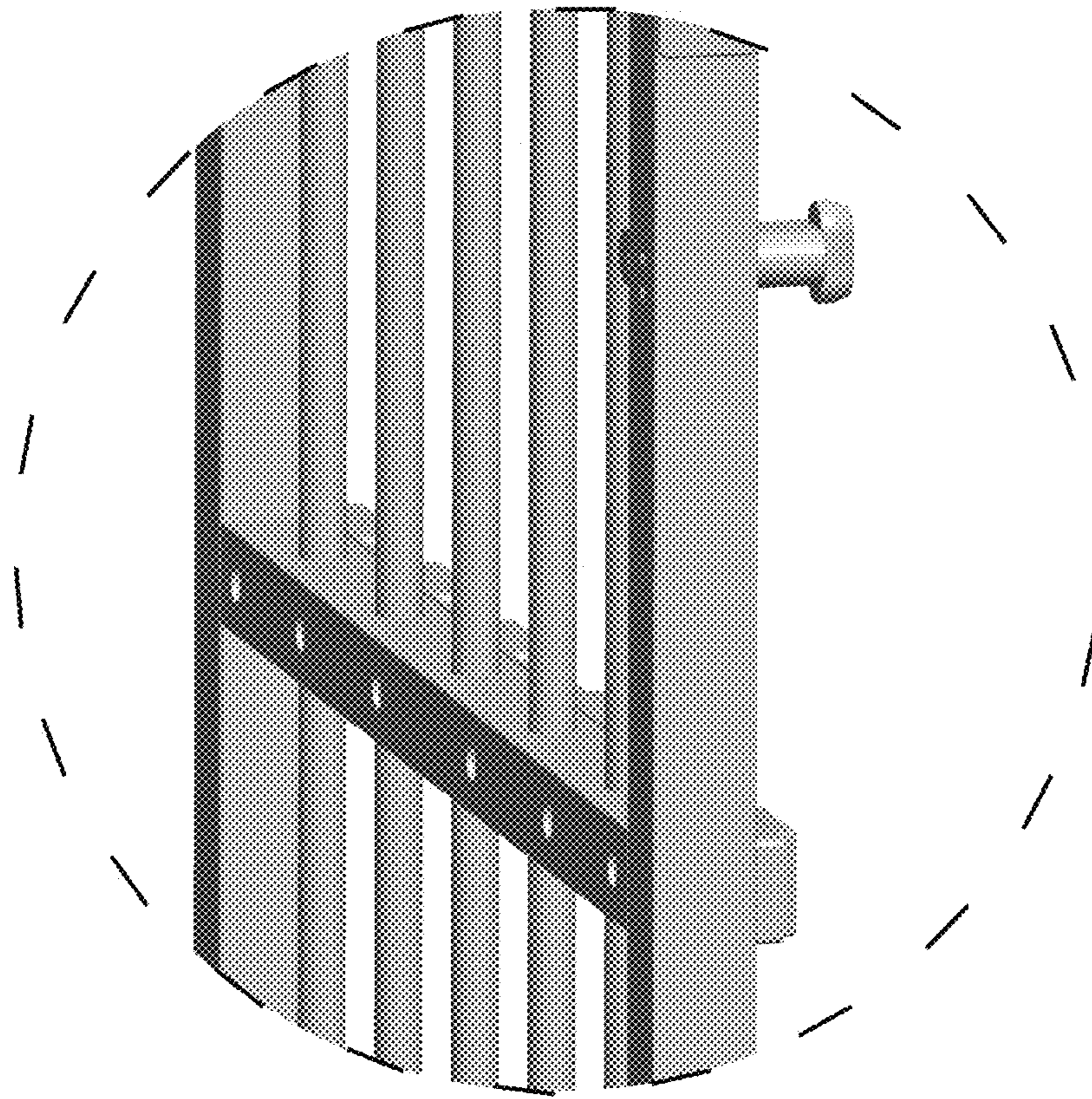


Fig. 2

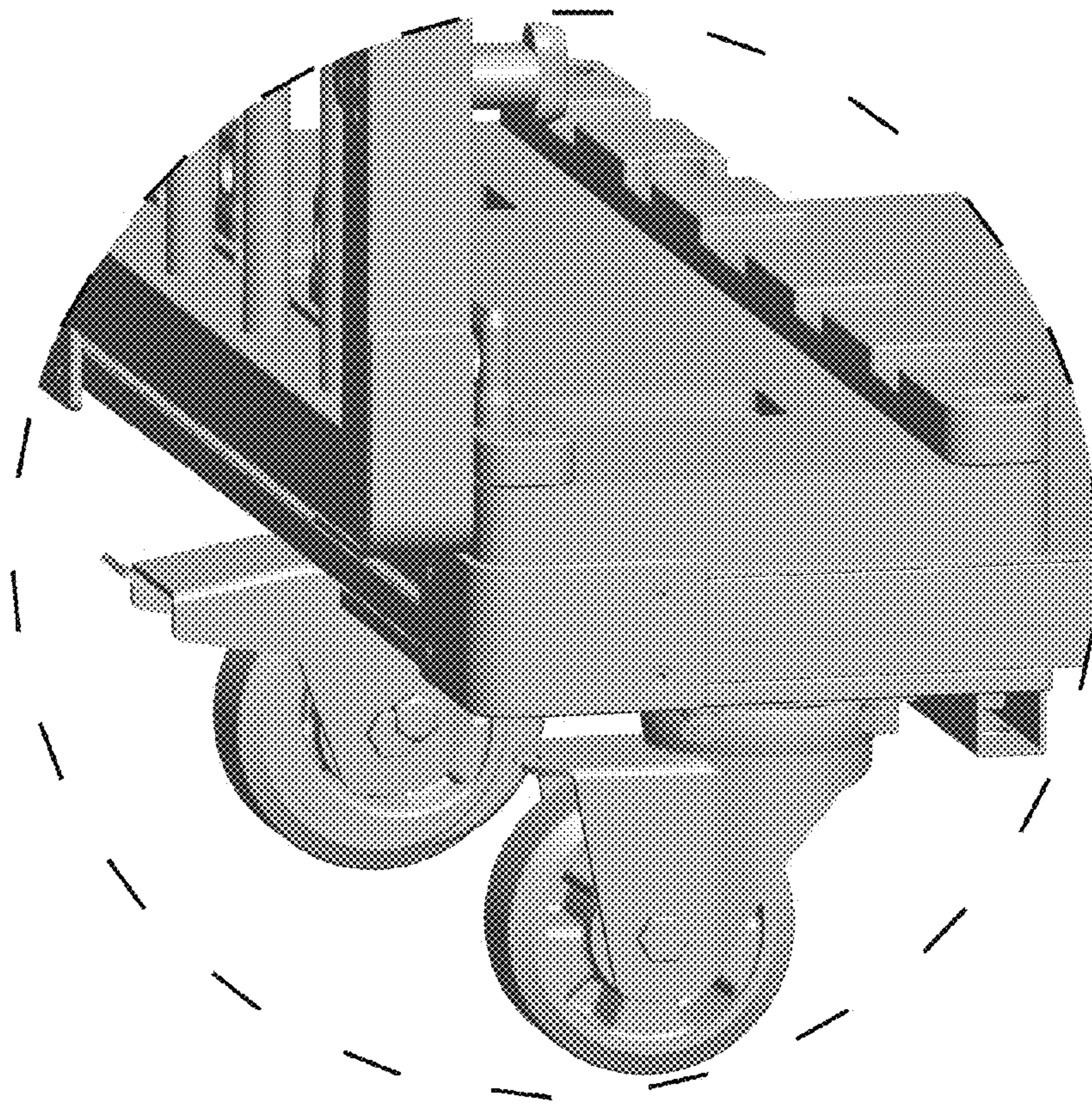


Fig. 3

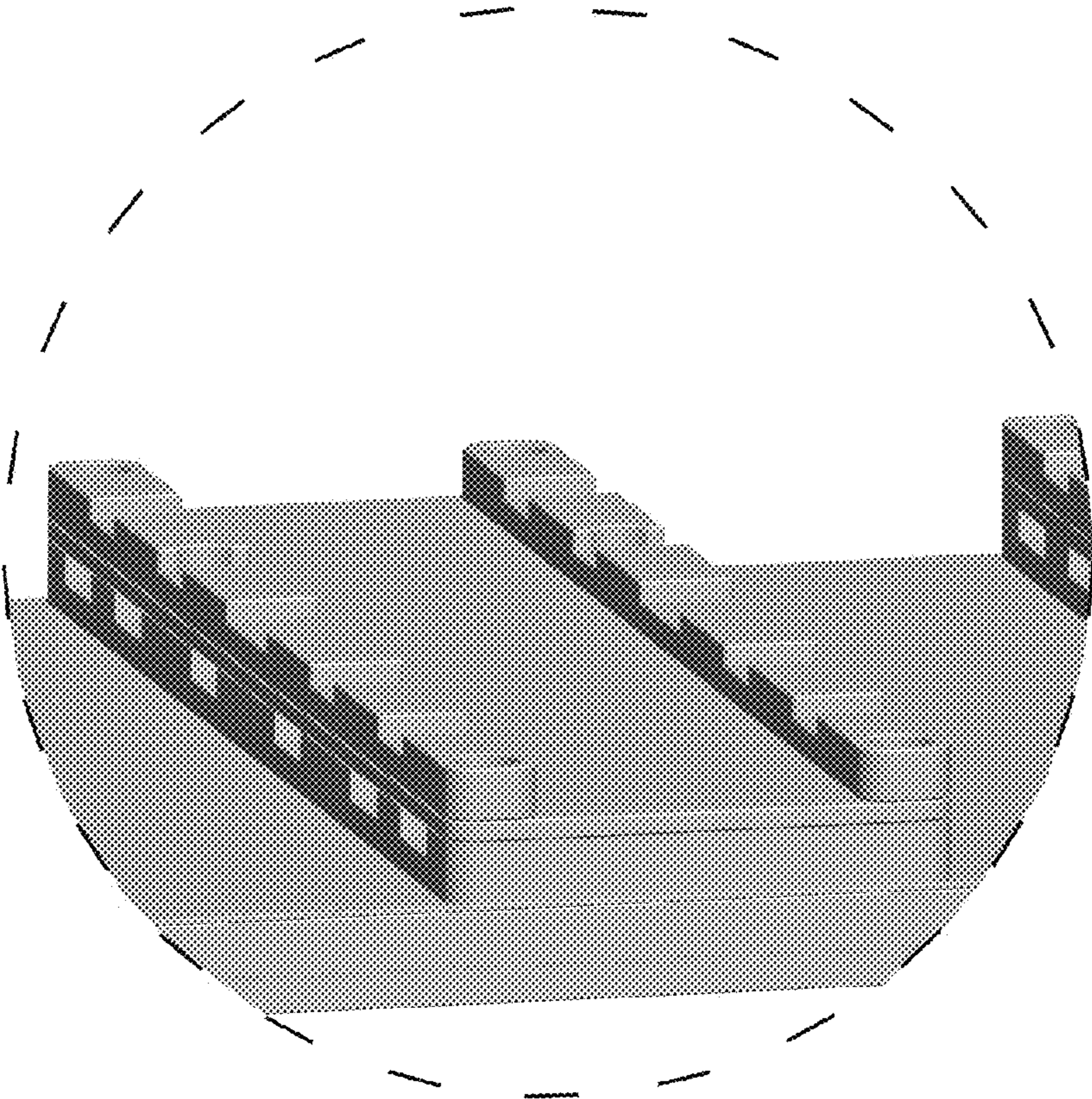


Fig. 4

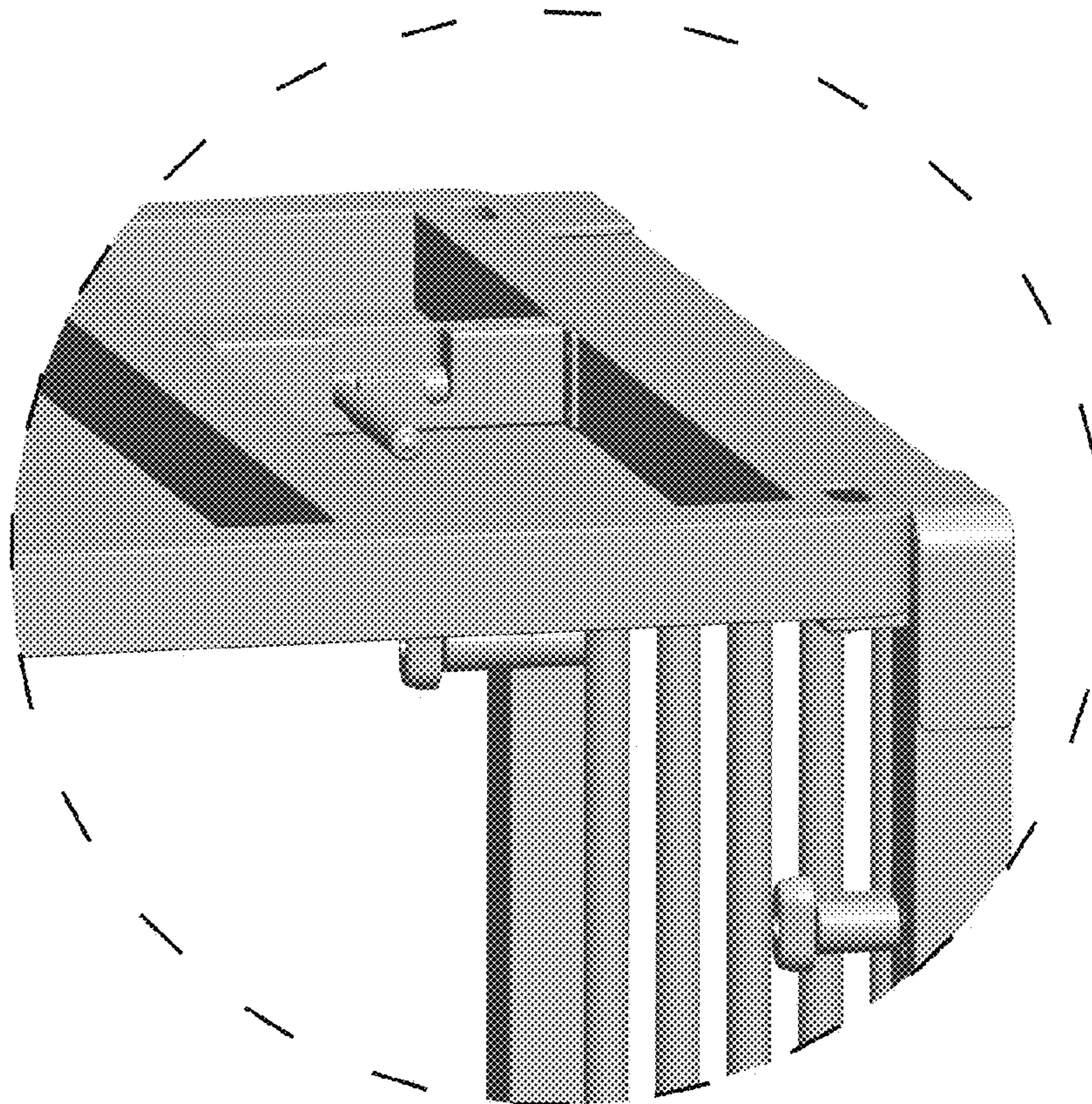


Fig. 5

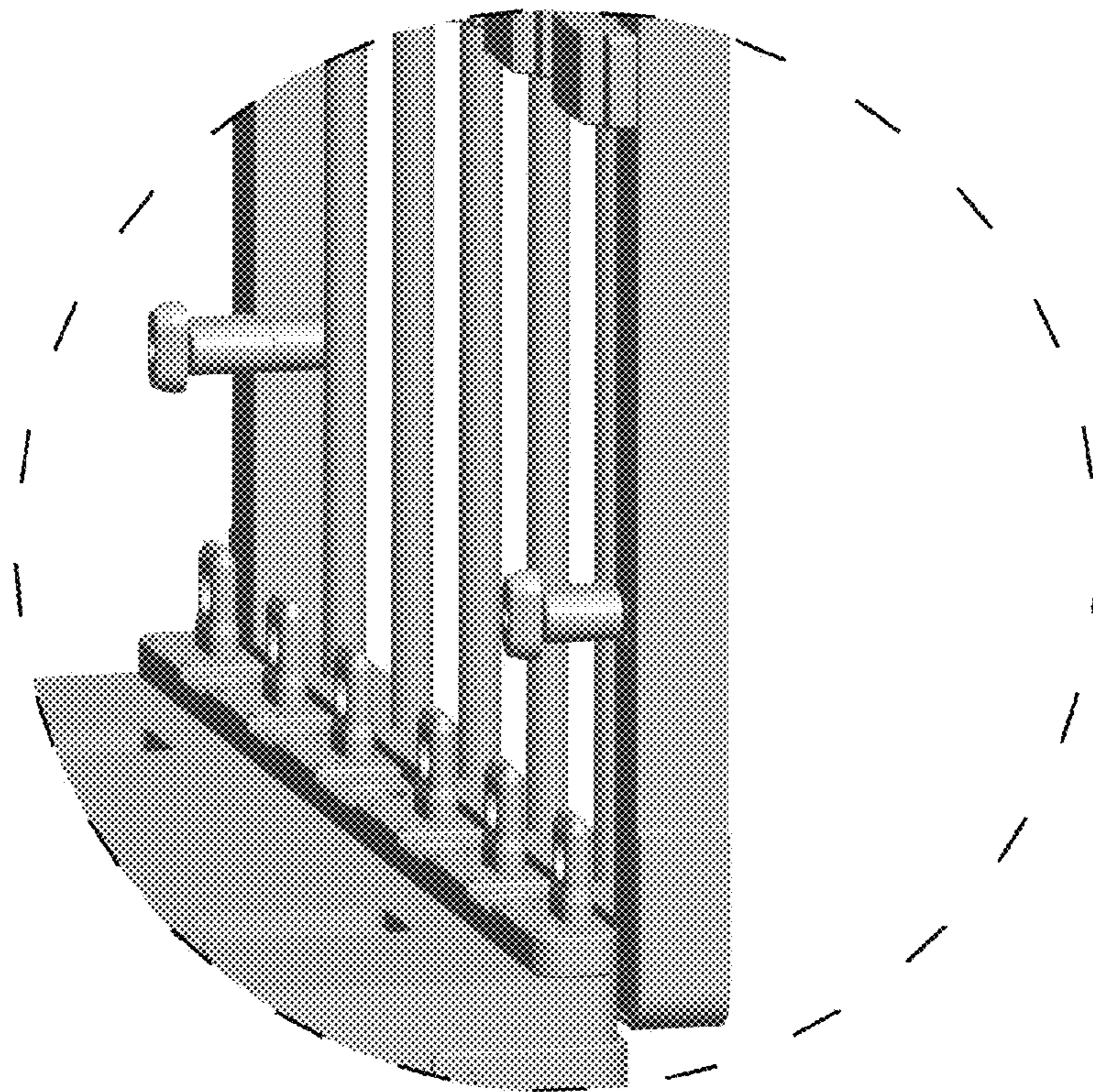


Fig. 6

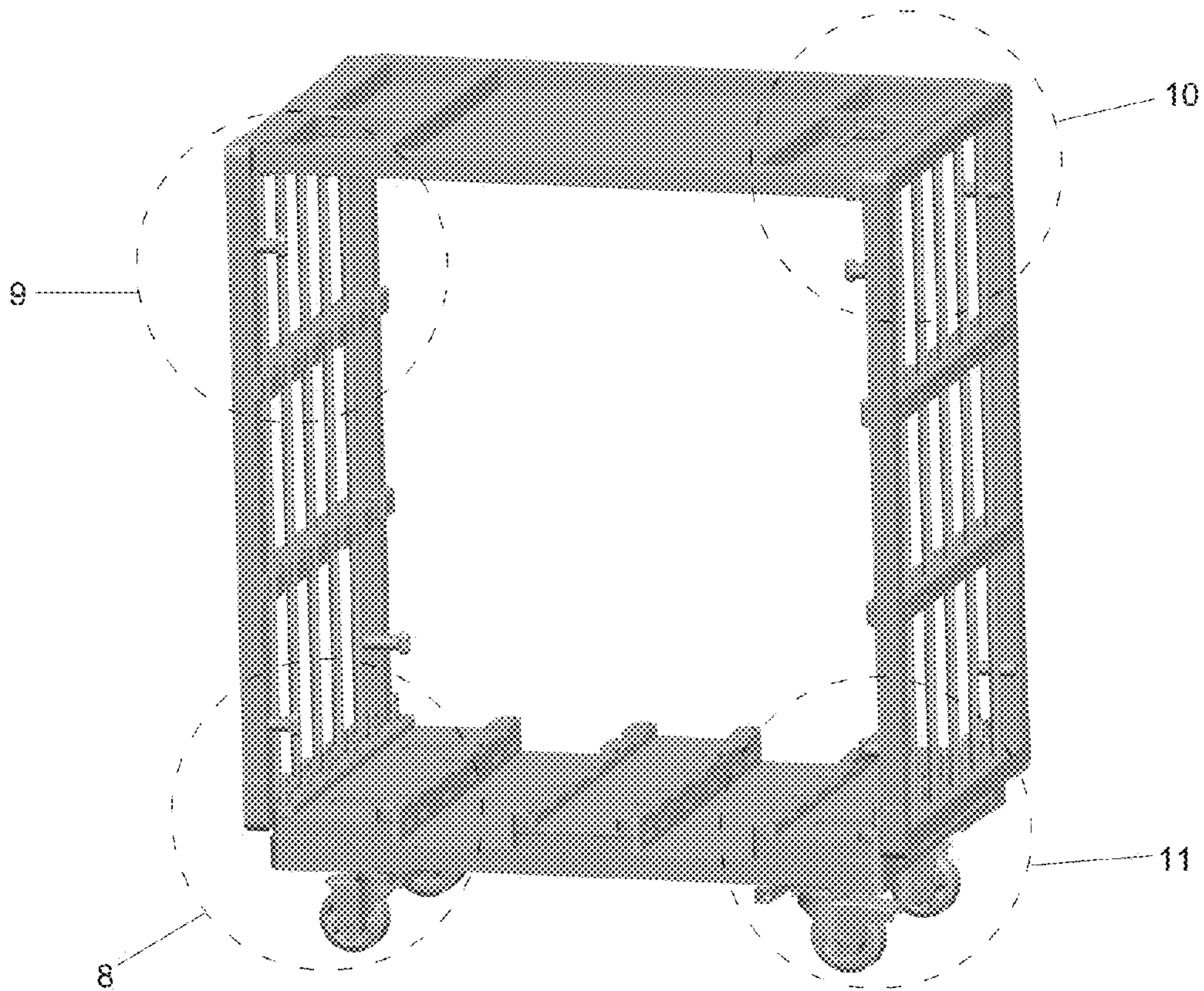


Fig. 7

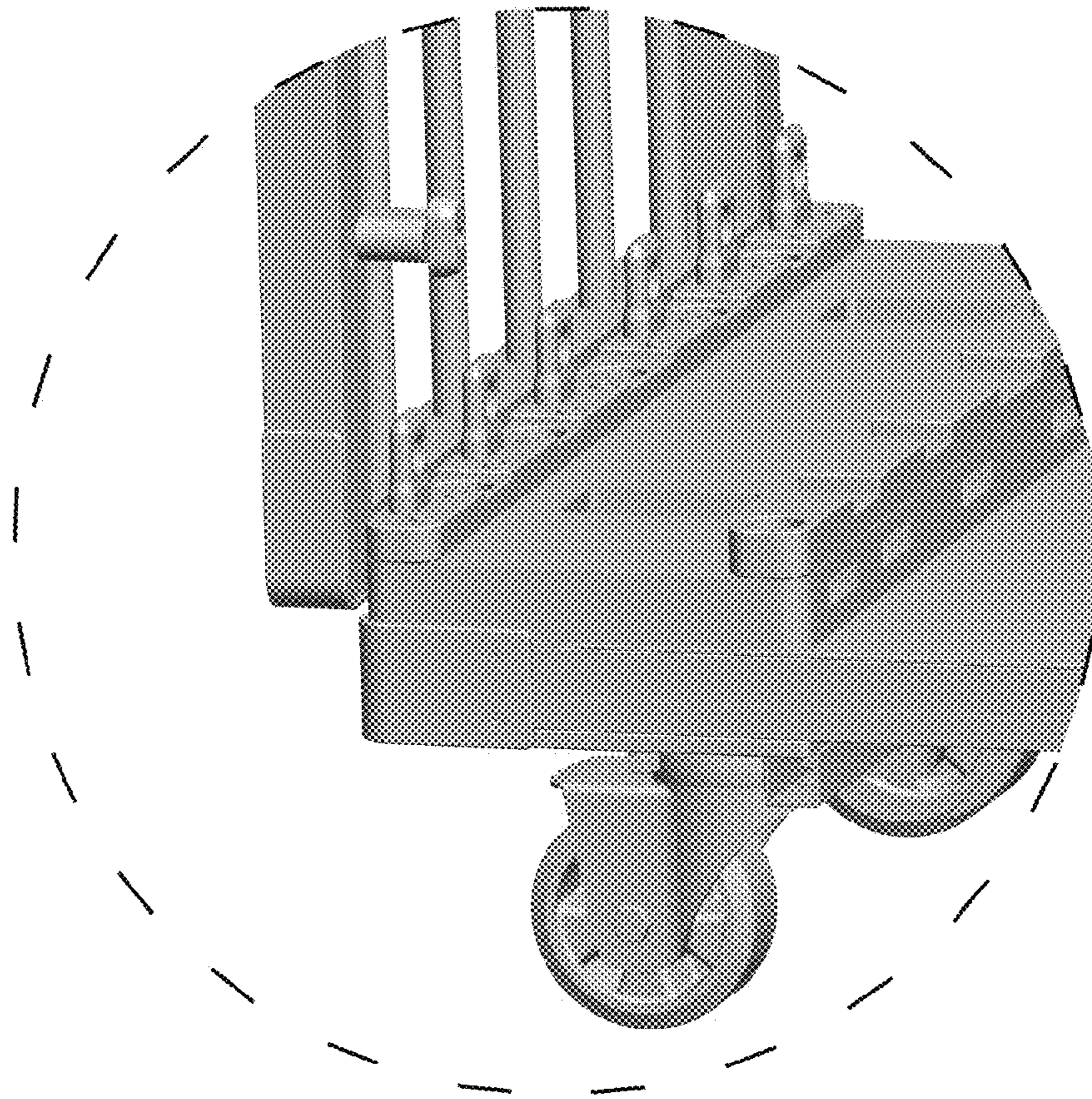


Fig. 8

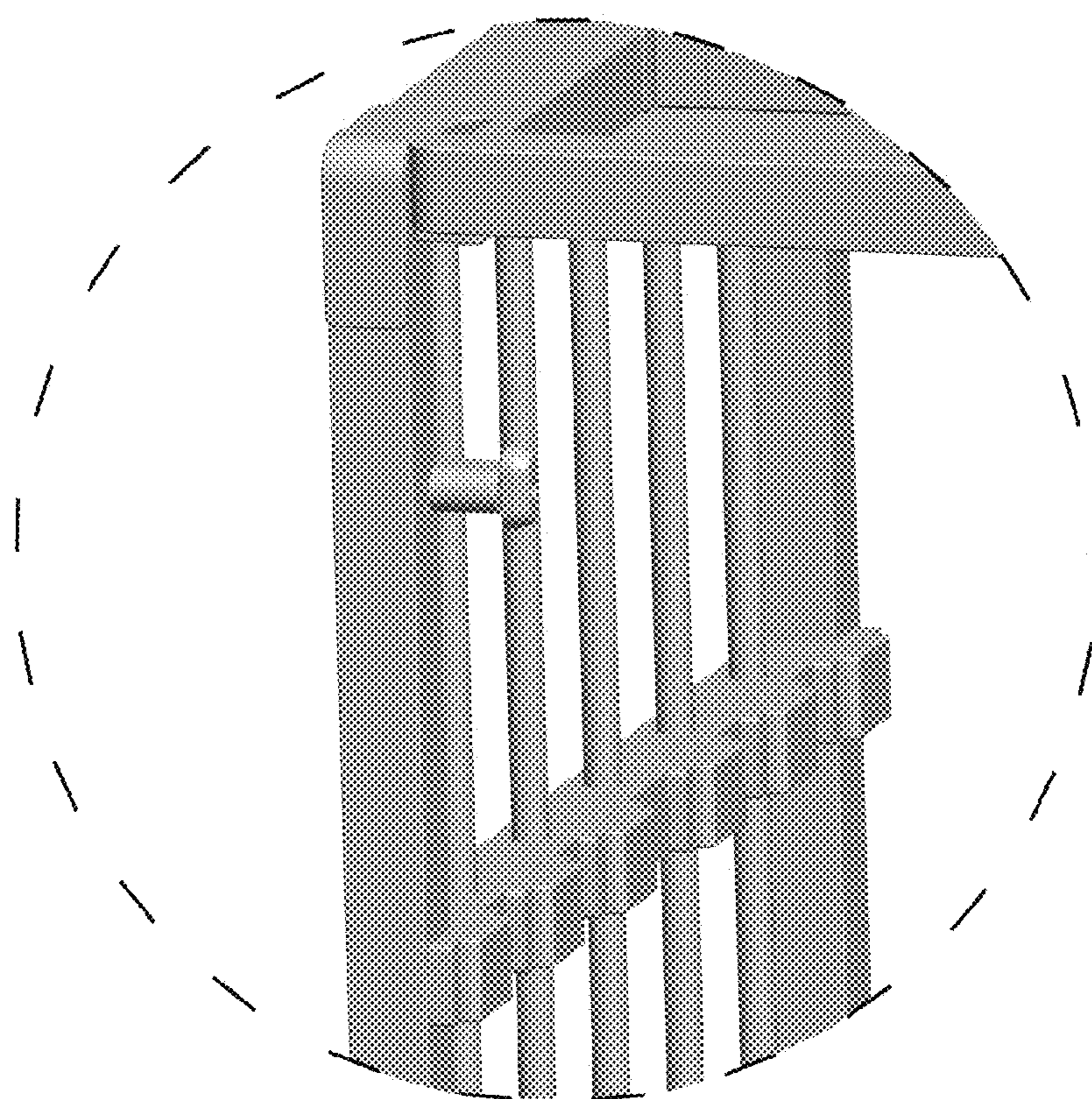


Fig. 9

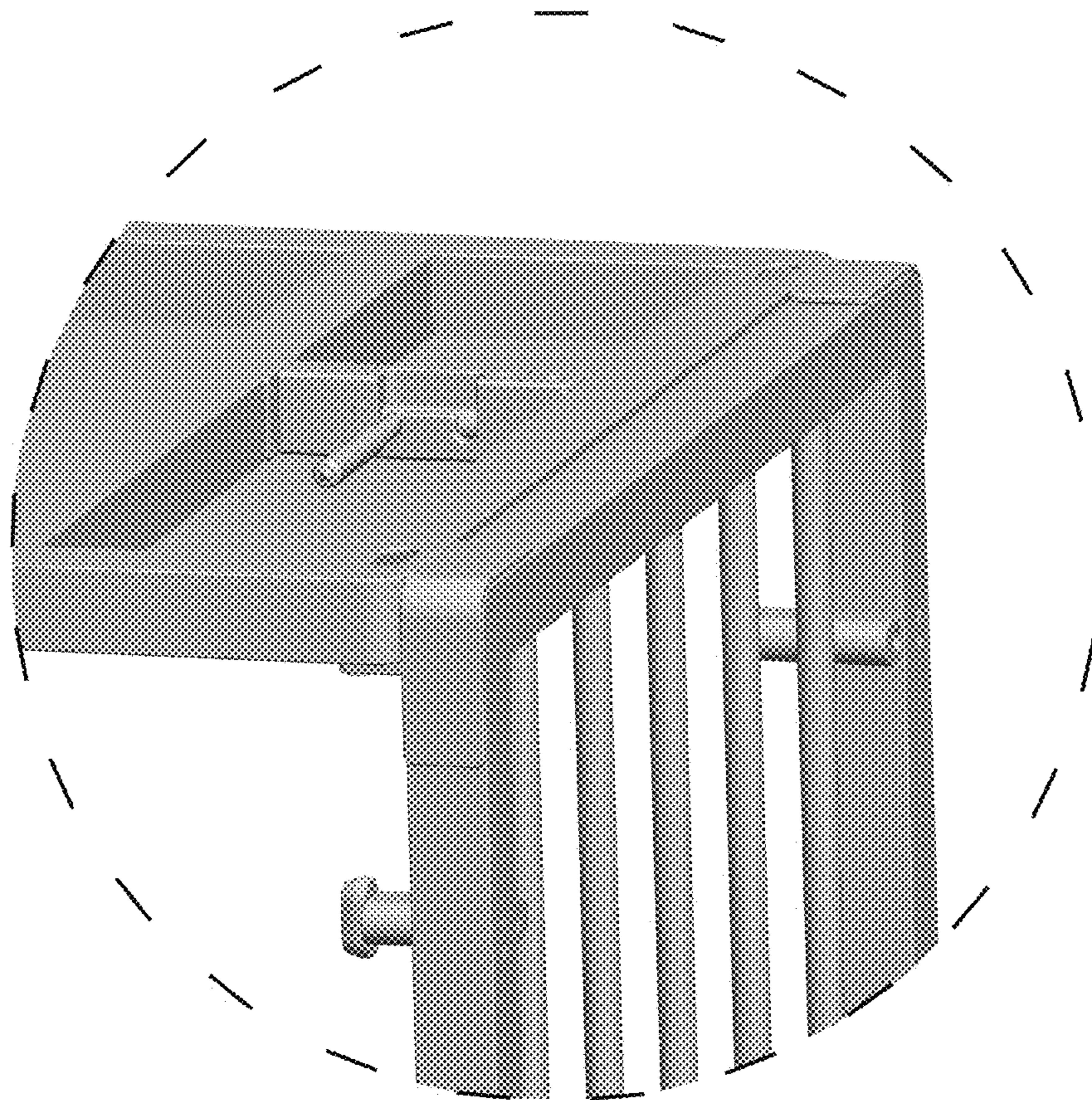


Fig. 10

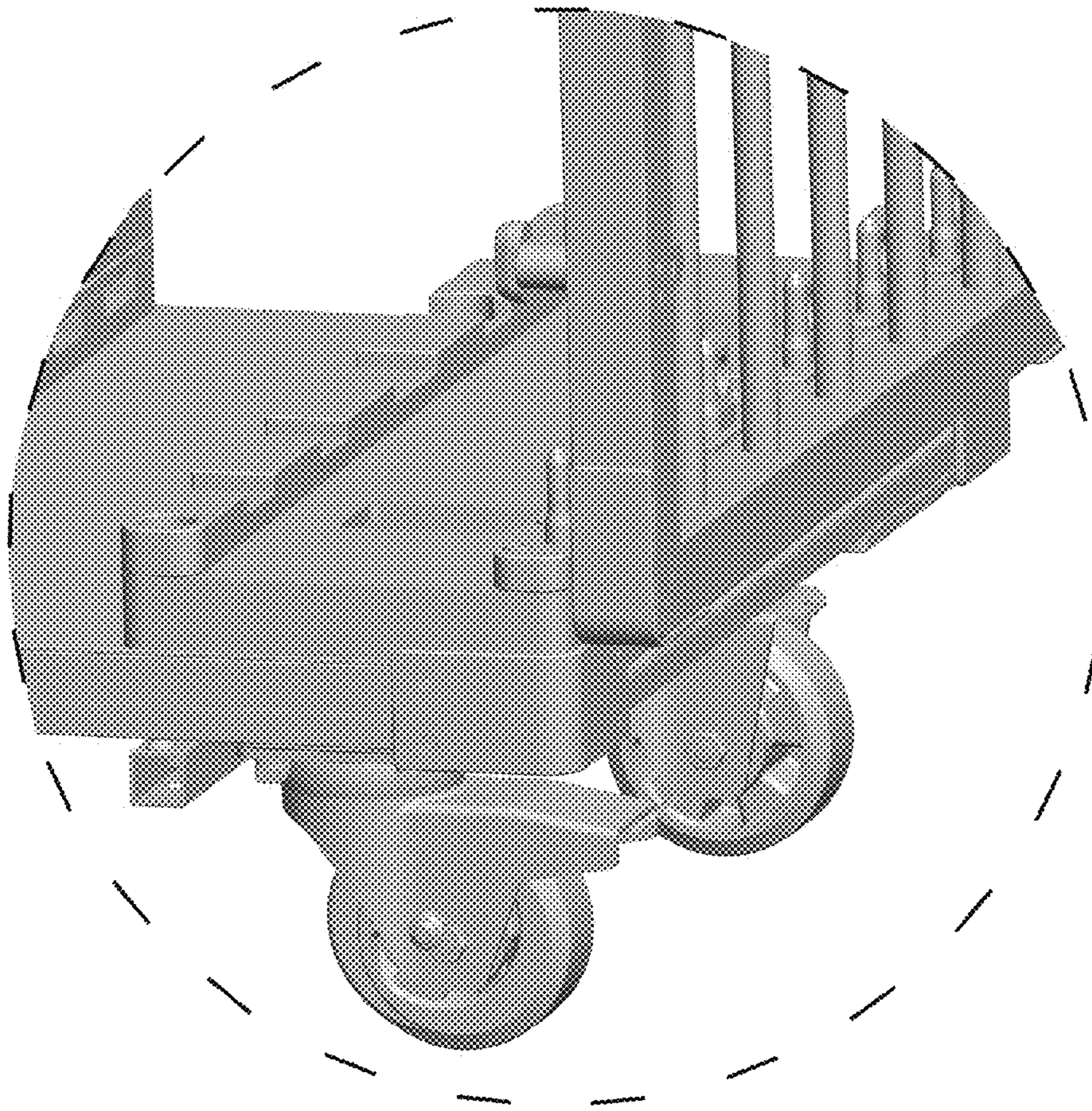


Fig. 11

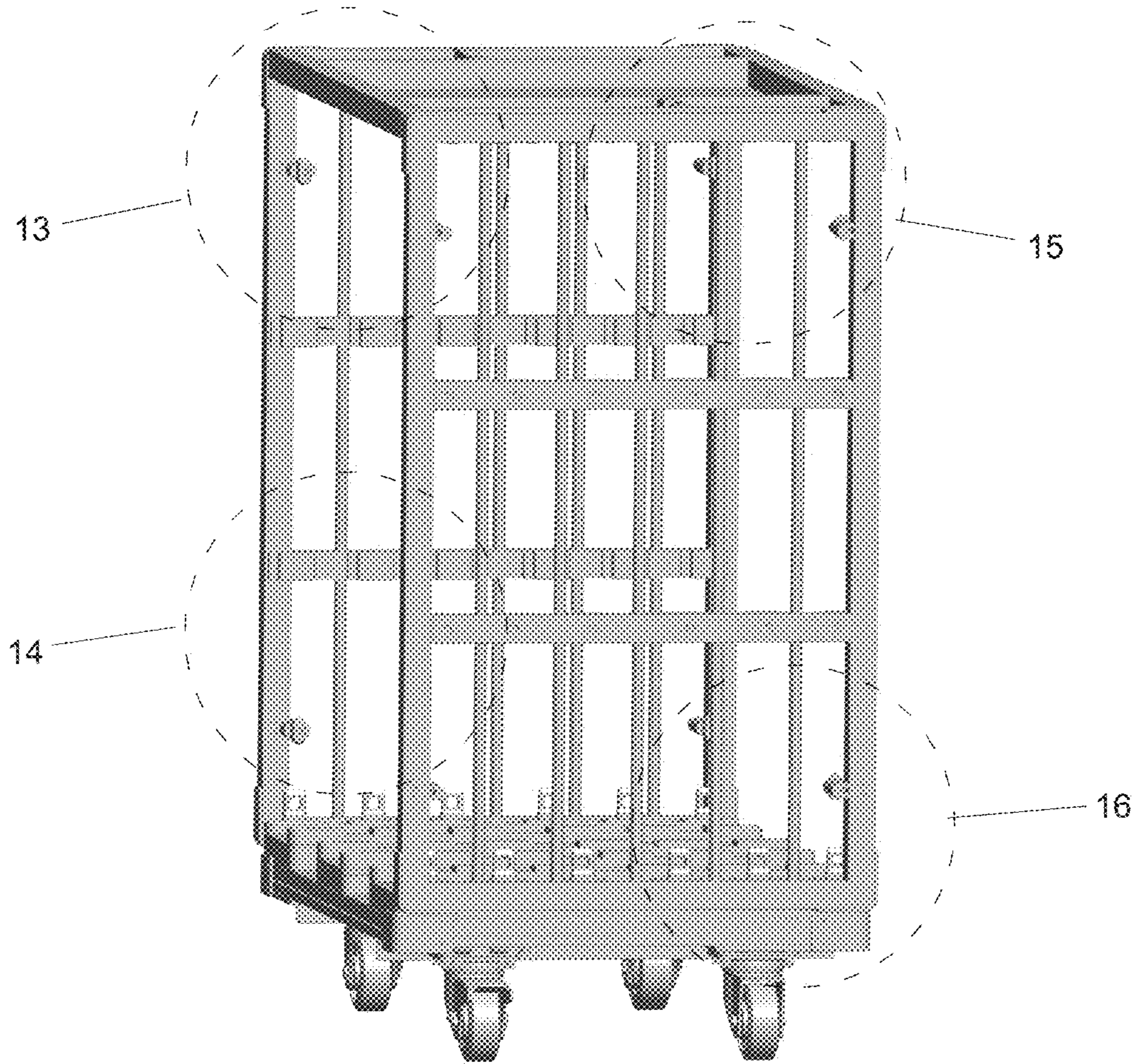


Fig. 12

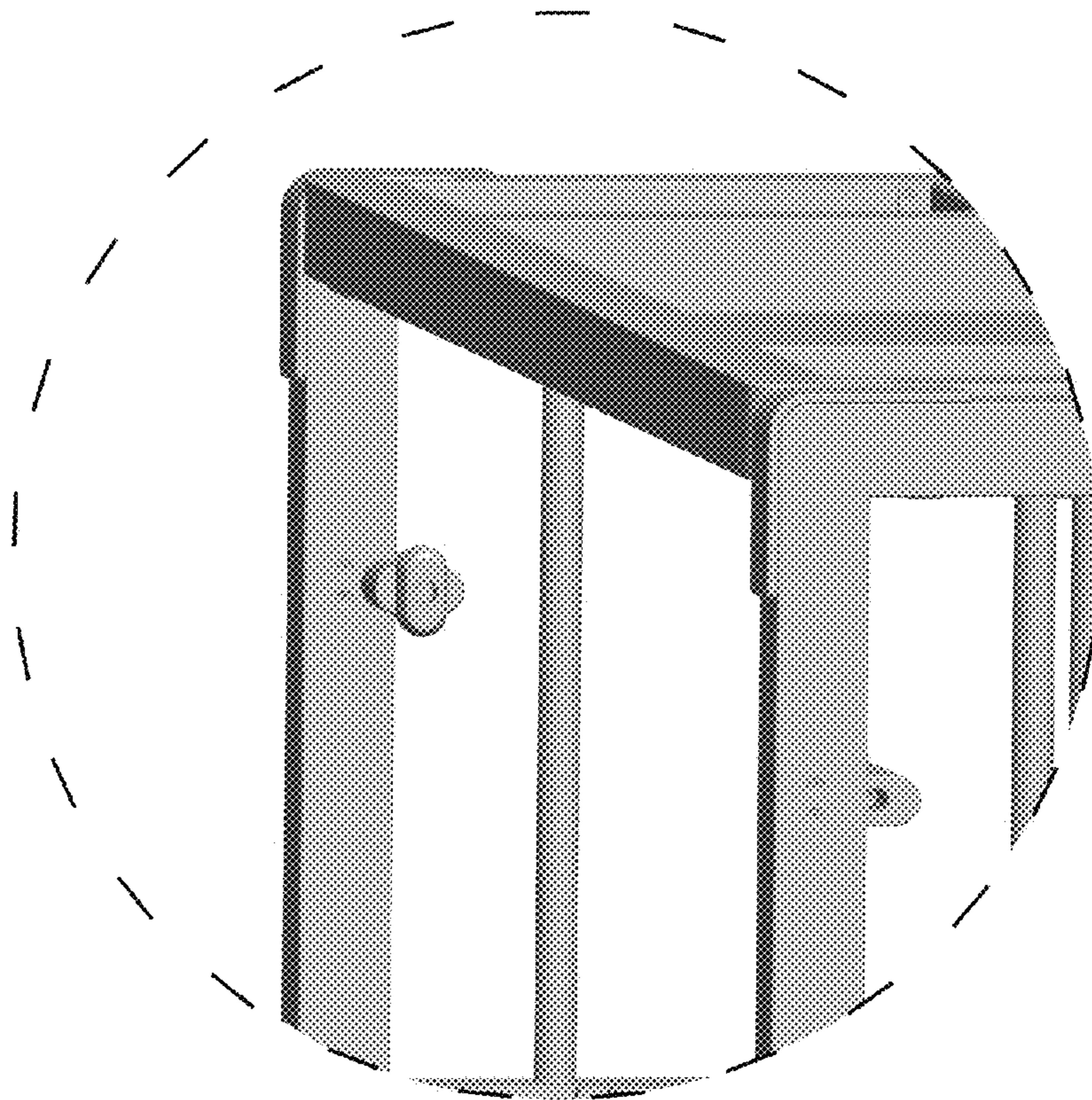


Fig. 13

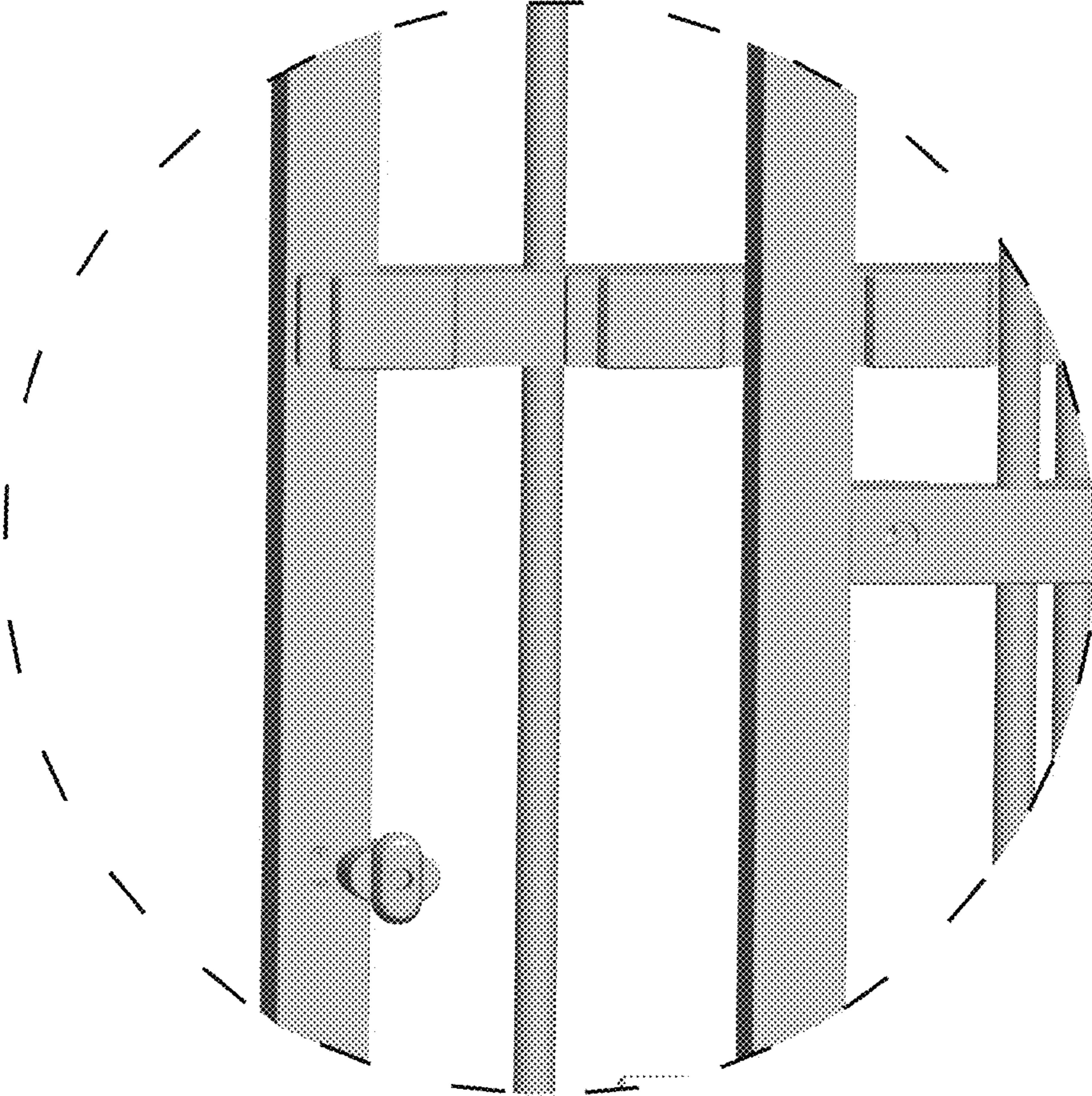


Fig. 14

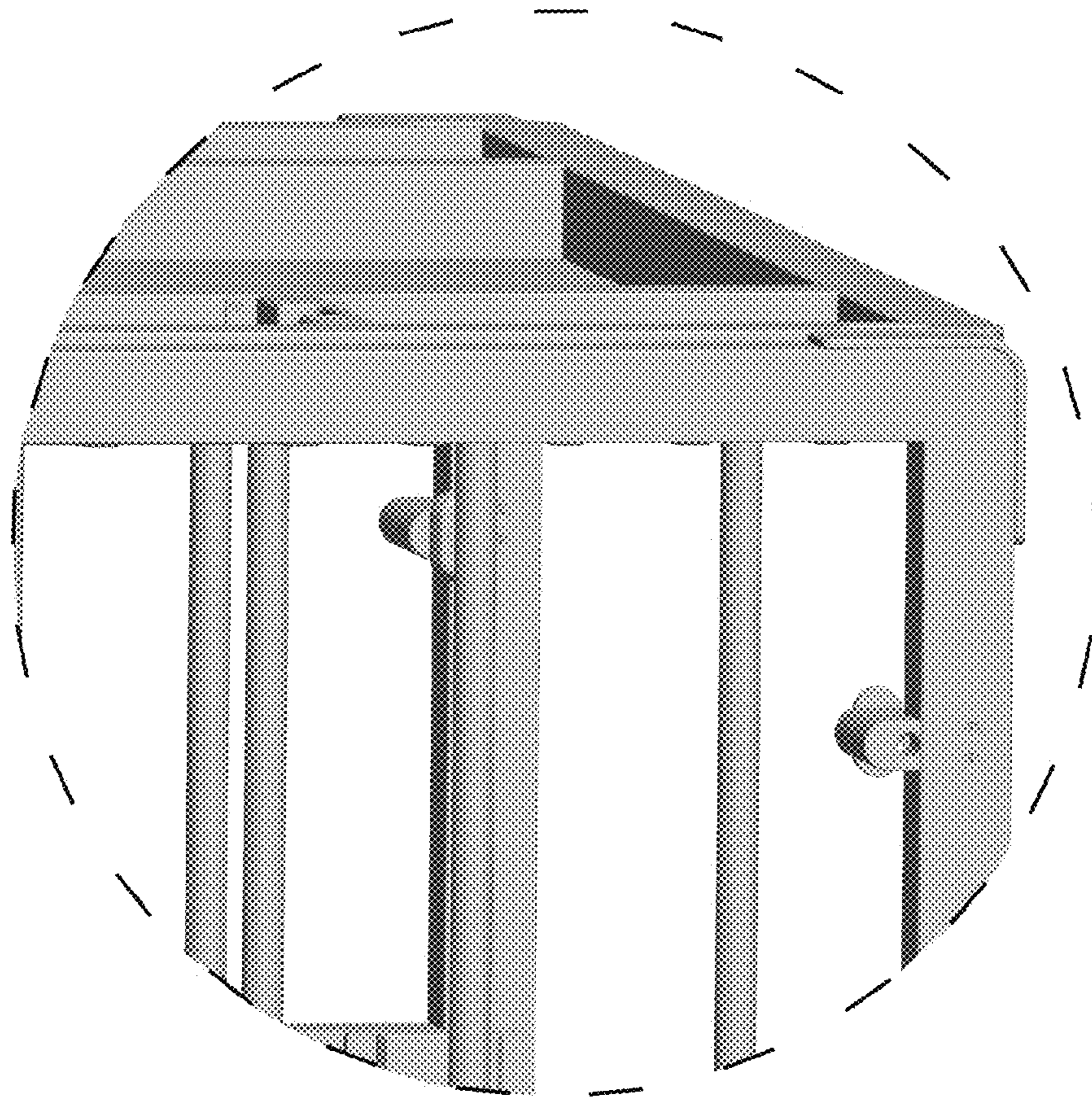


Fig. 15

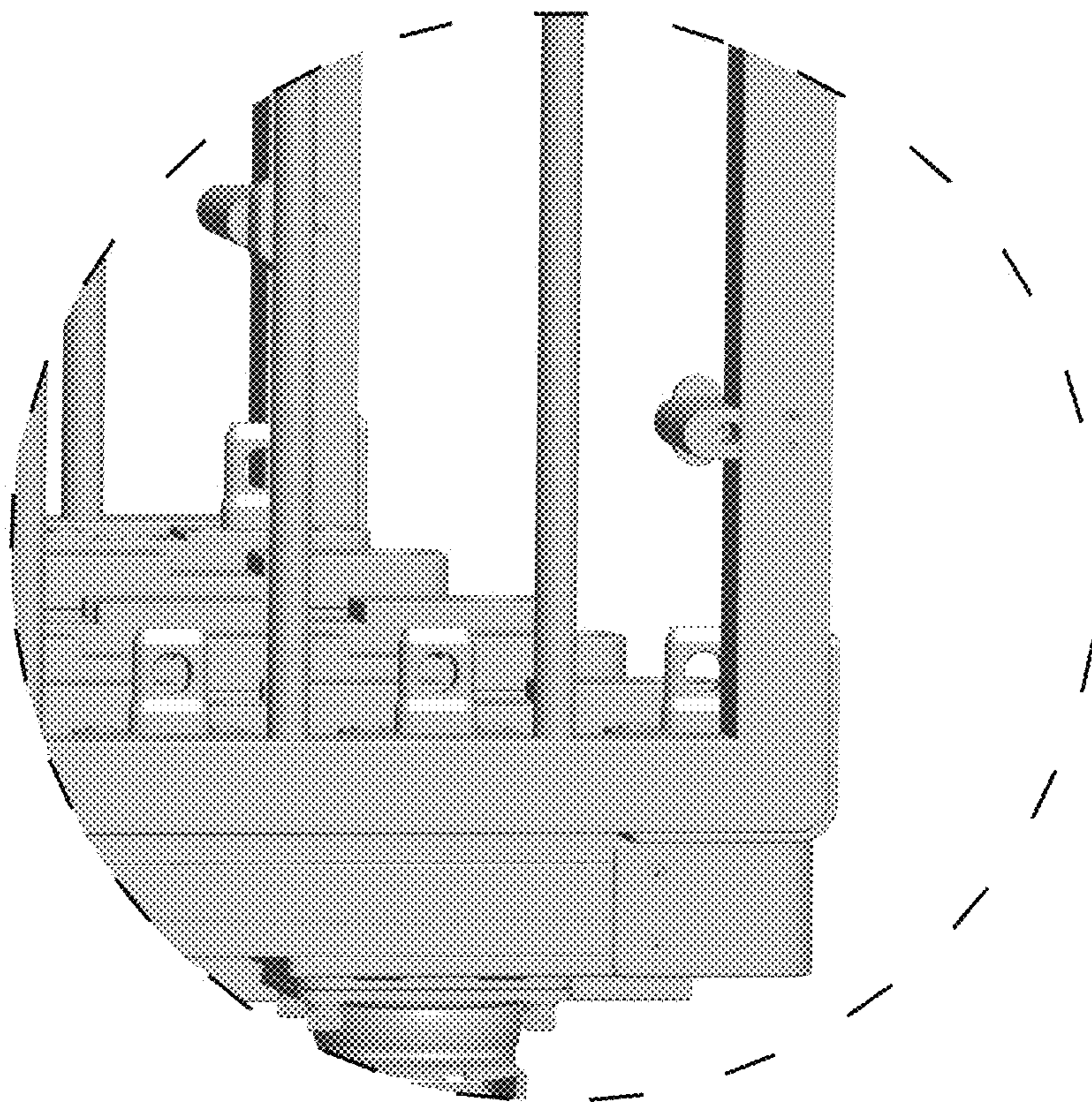


Fig. 16

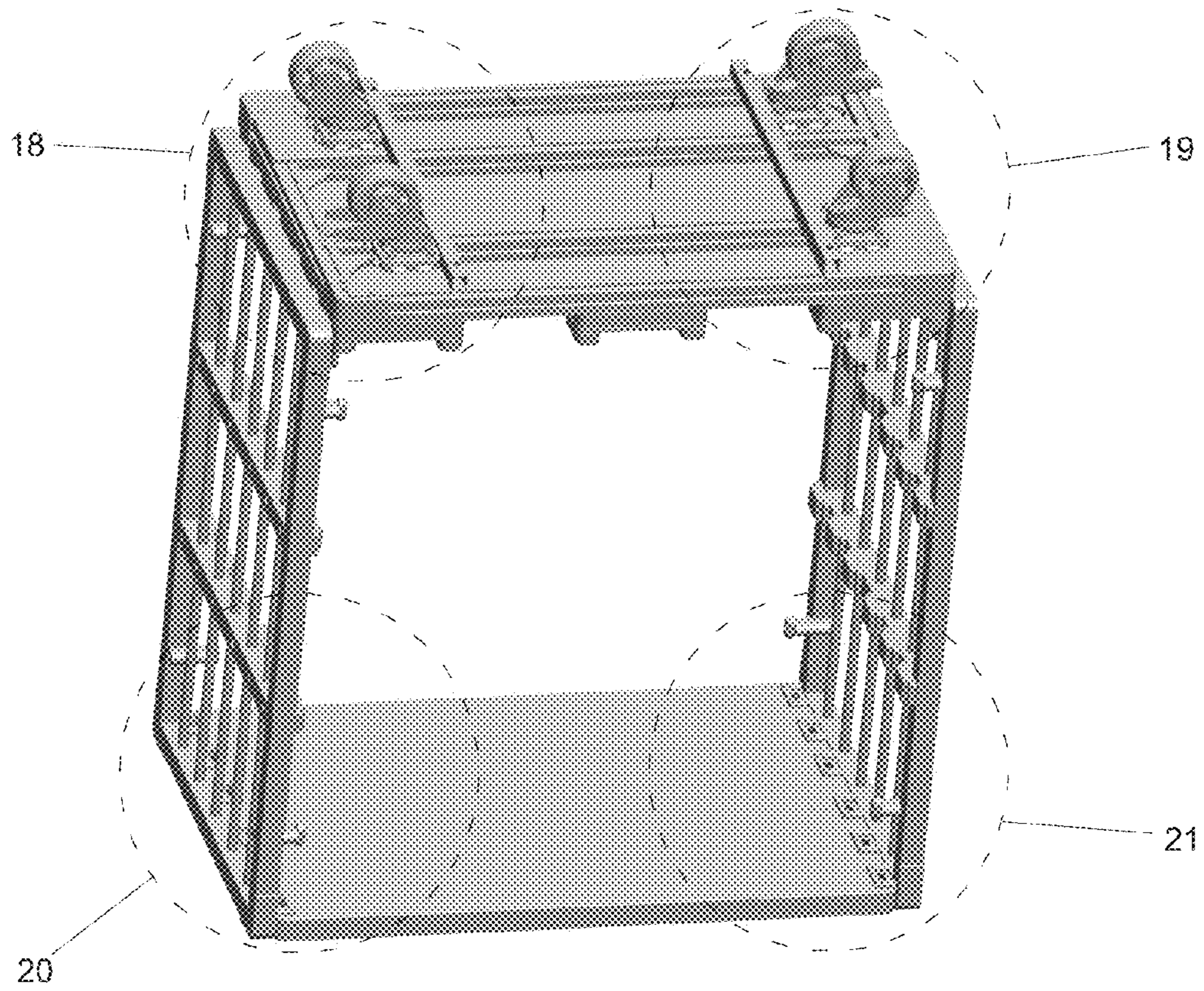


Fig. 17

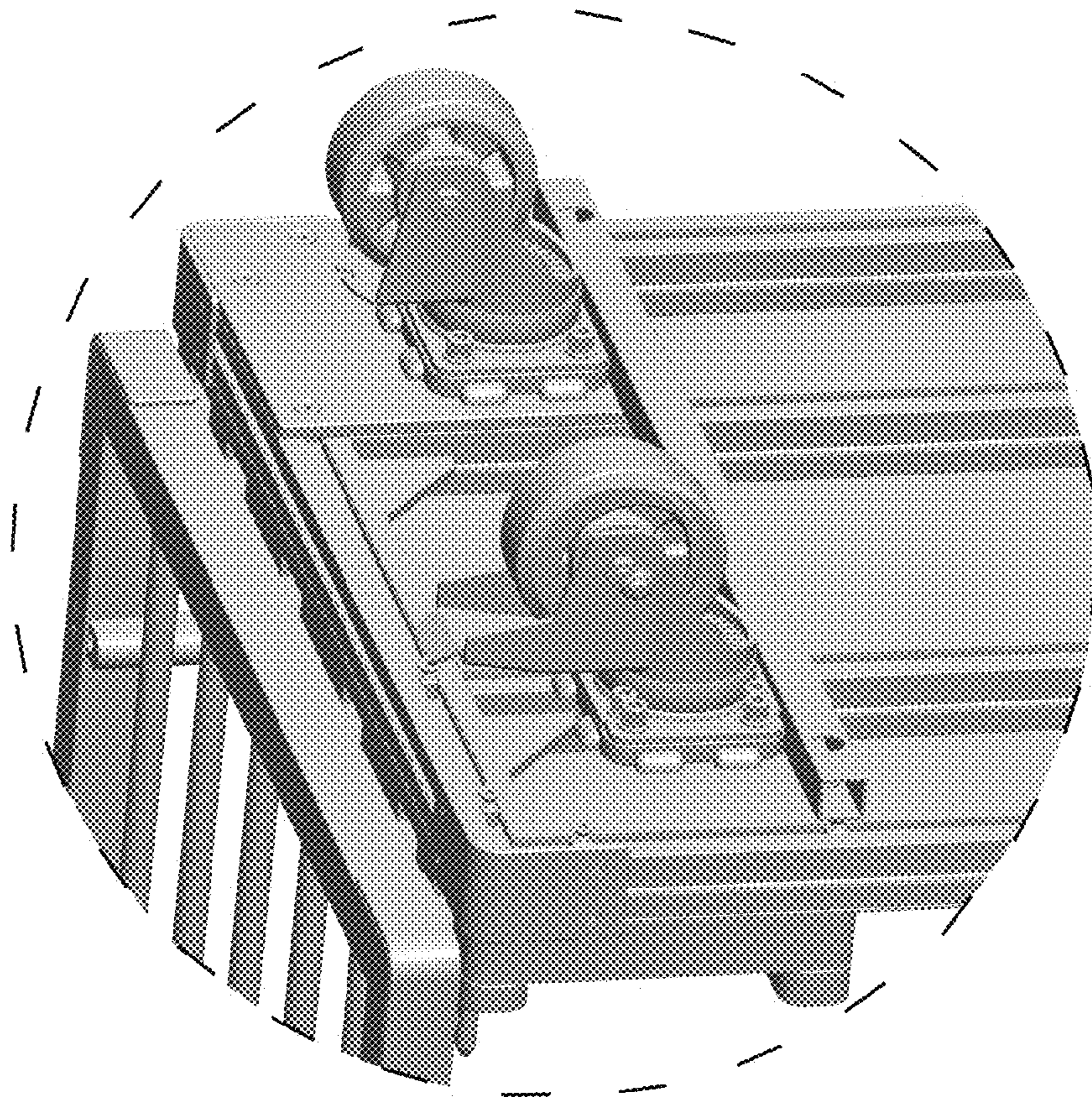


Fig. 18

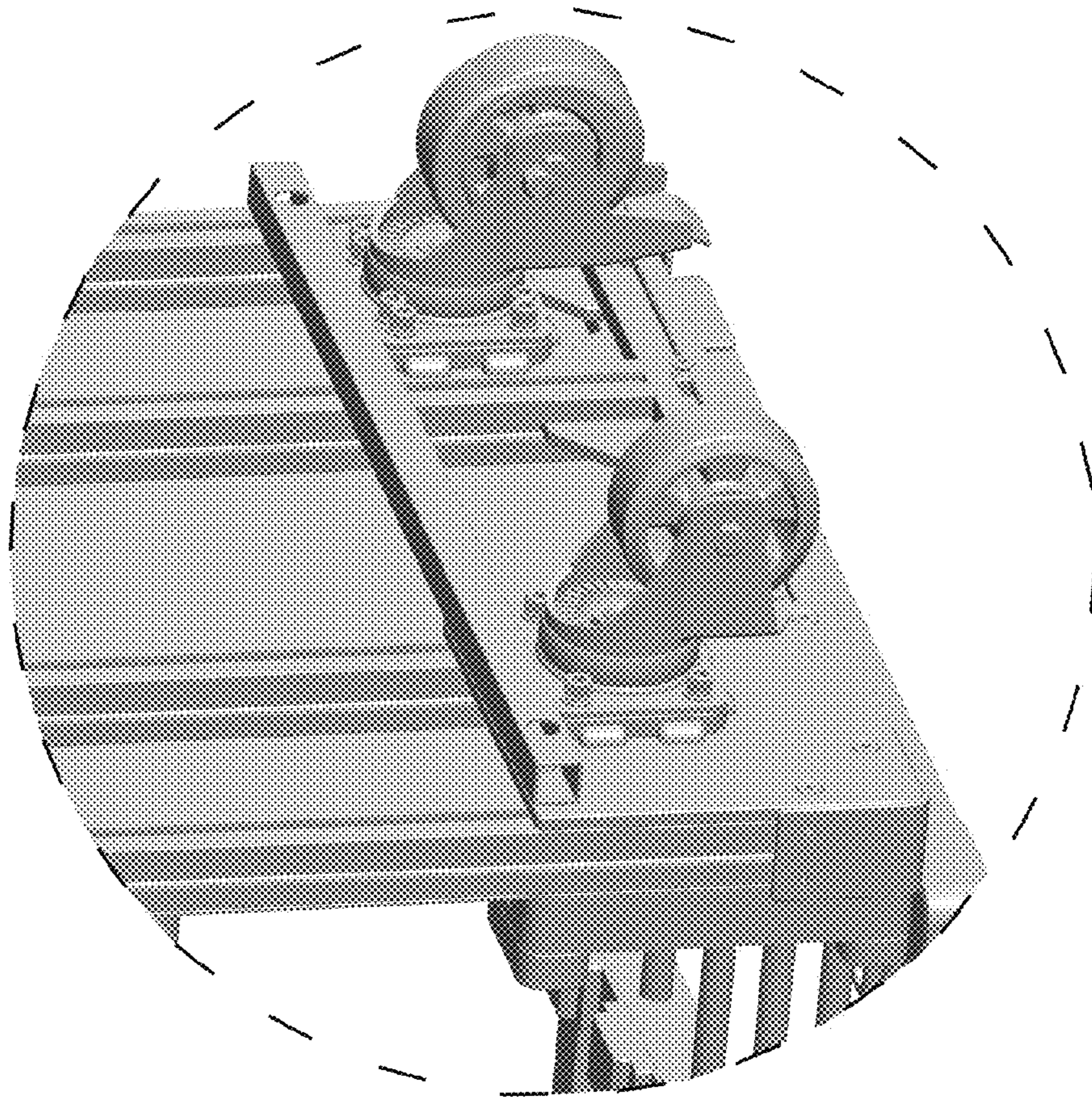


Fig. 19

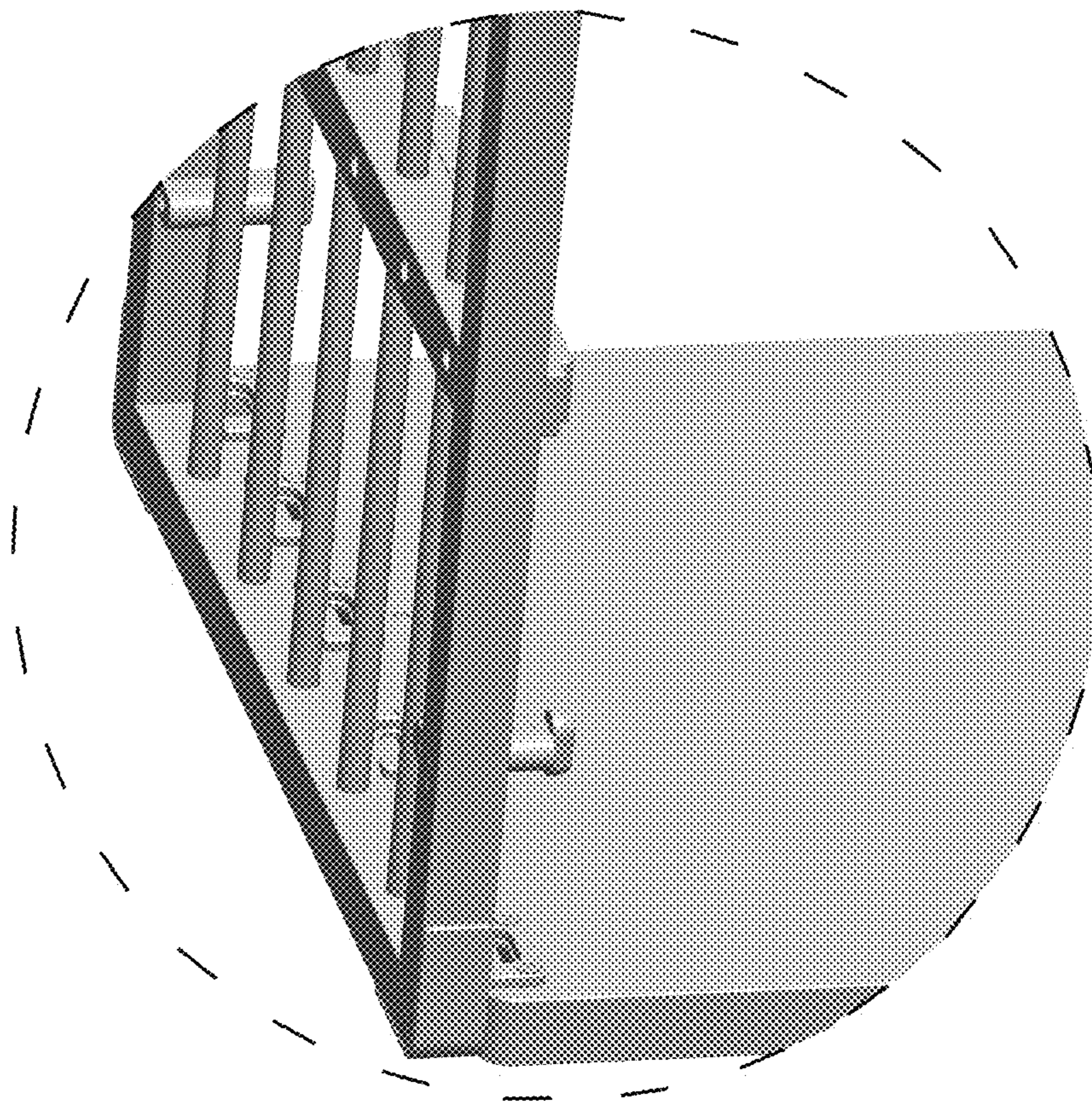


Fig. 20

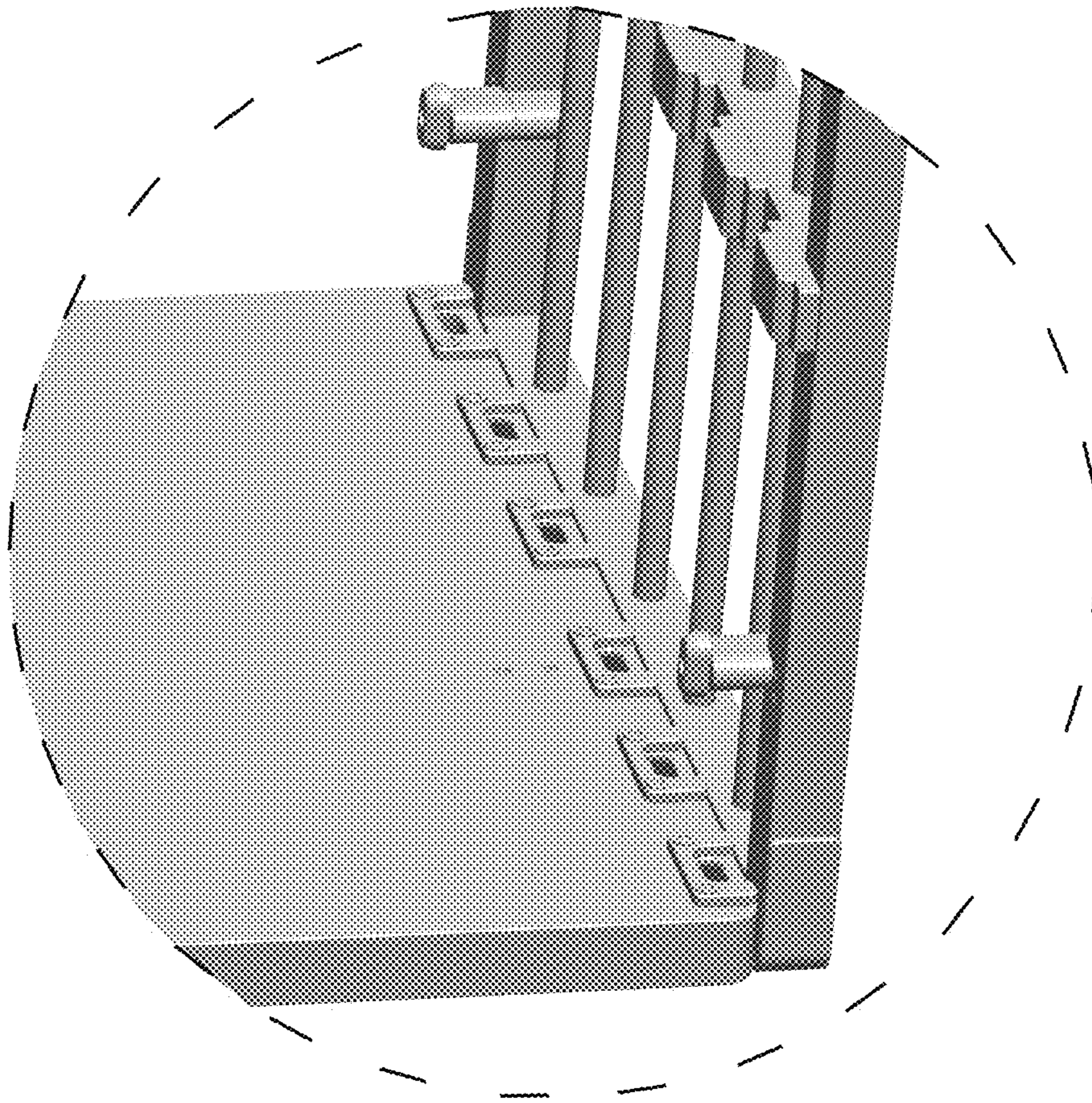


Fig. 21

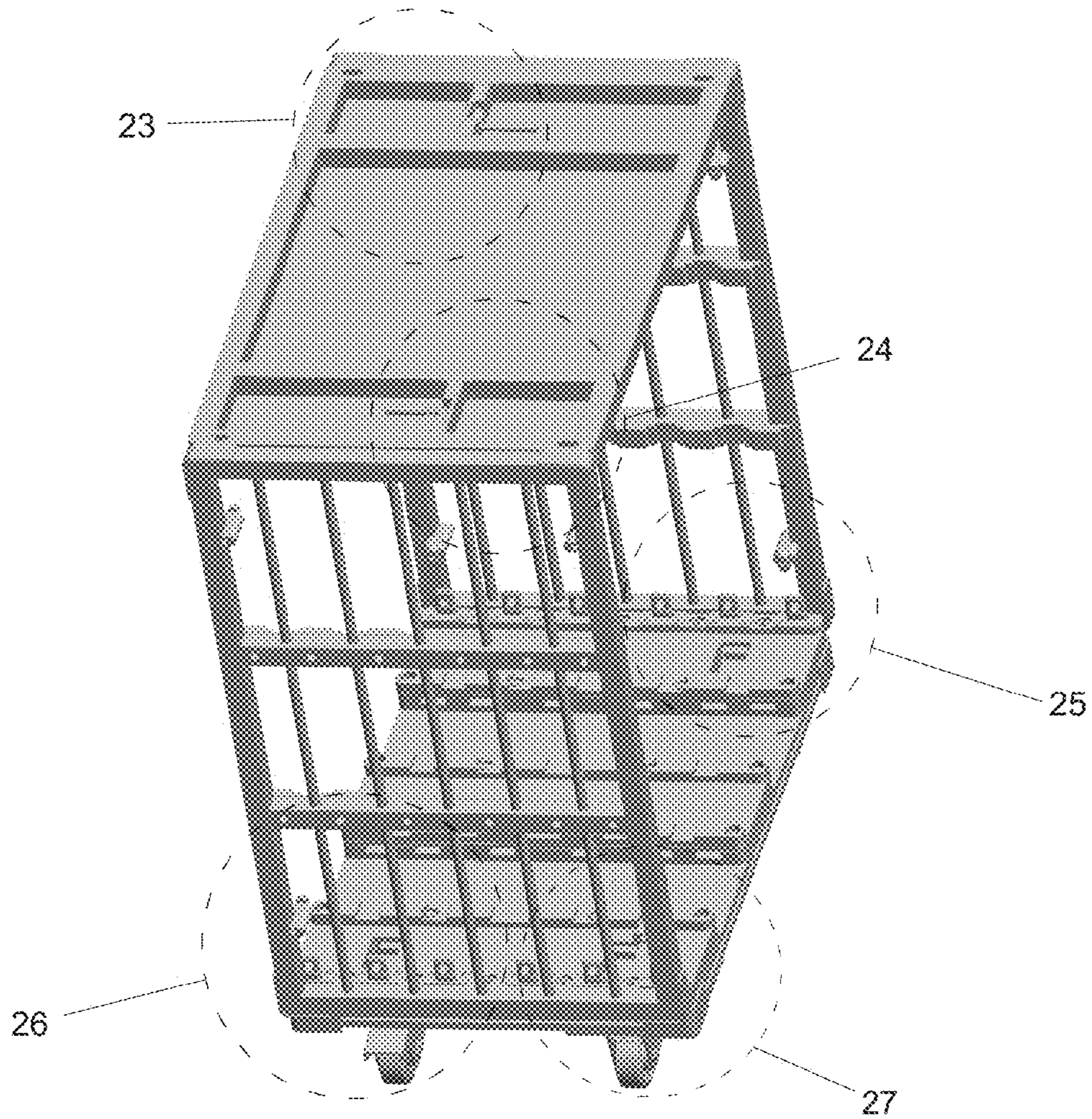


Fig. 22

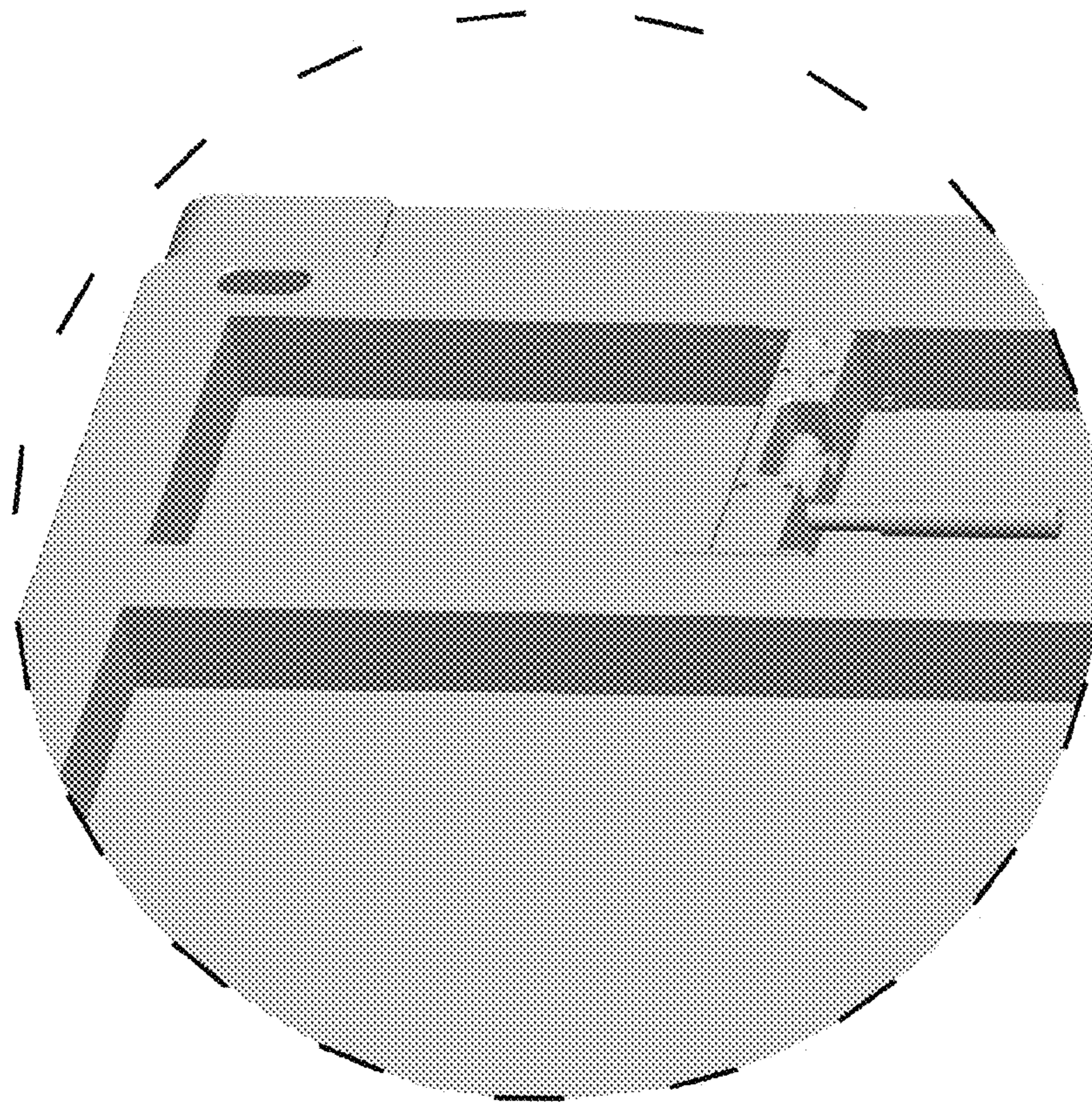


Fig. 23

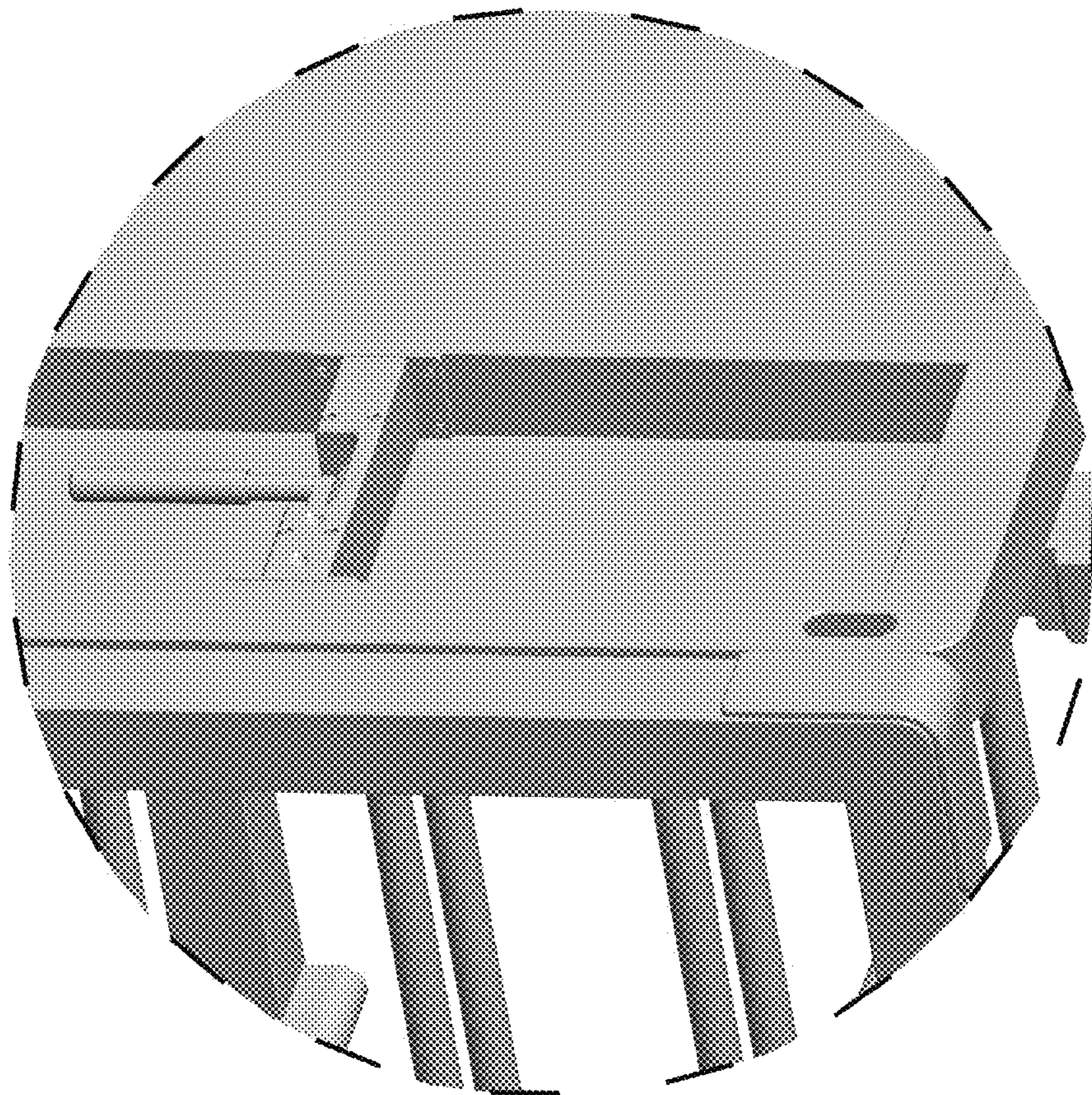


Fig. 24

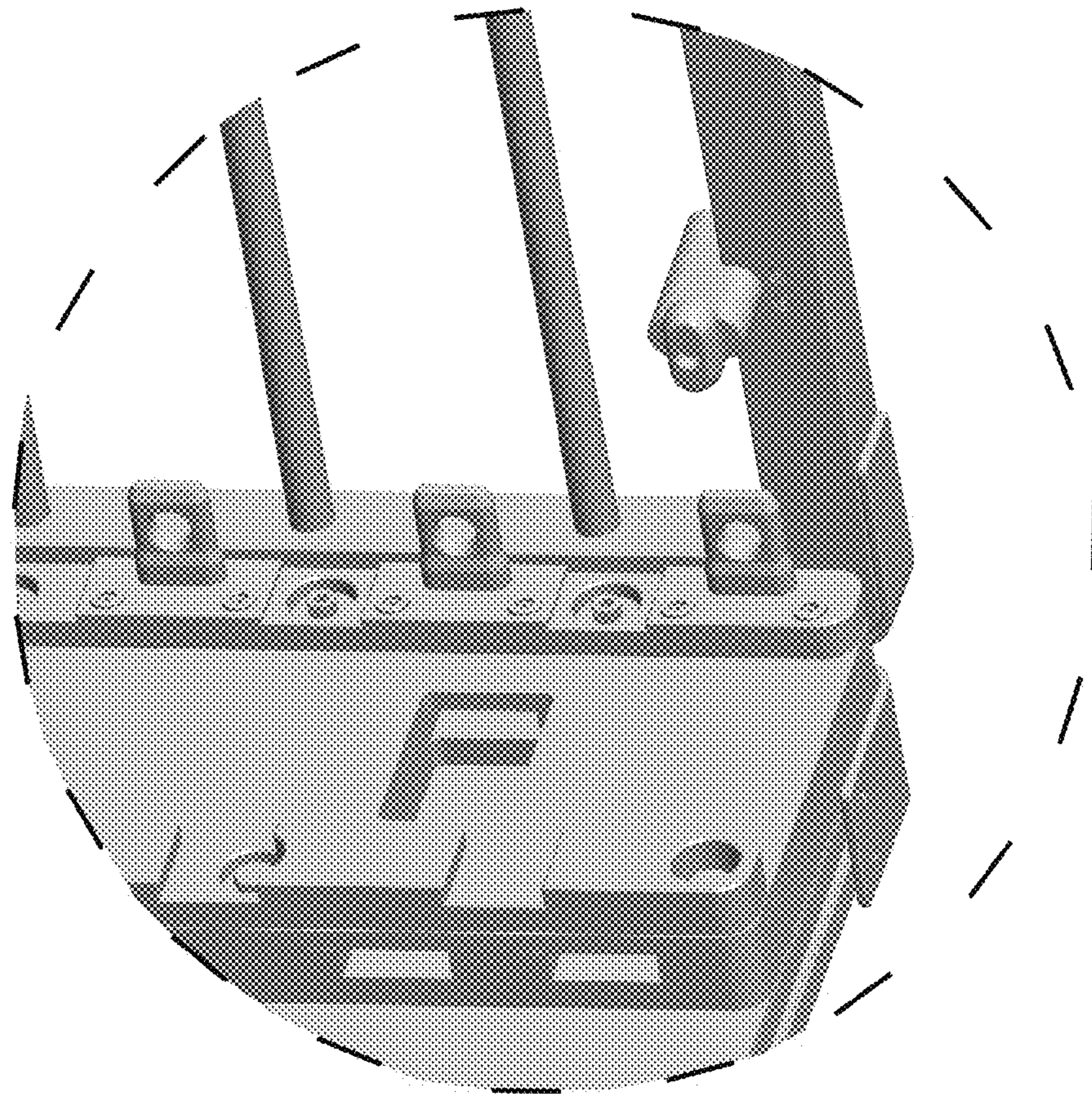


Fig. 25

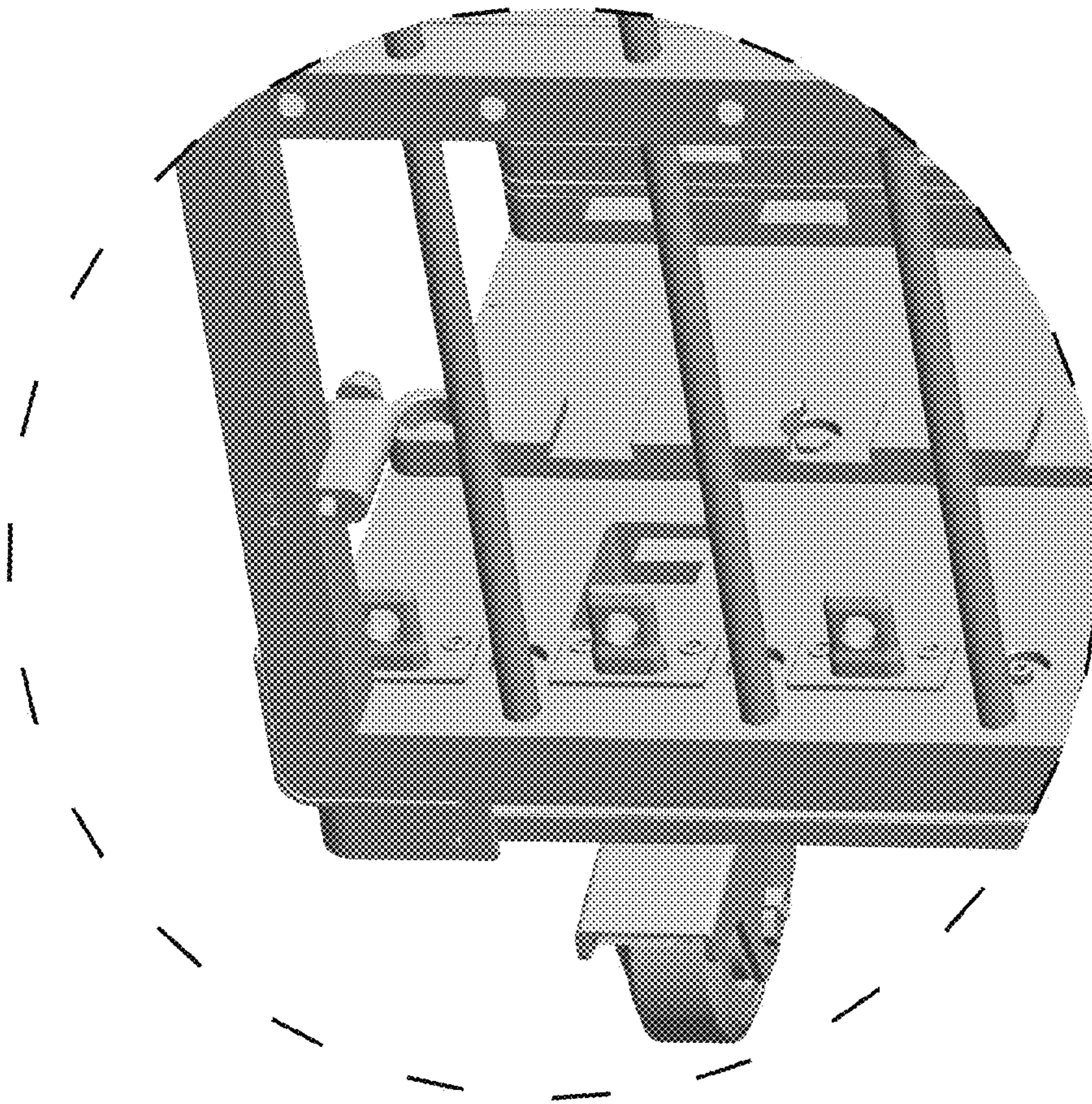


Fig. 26

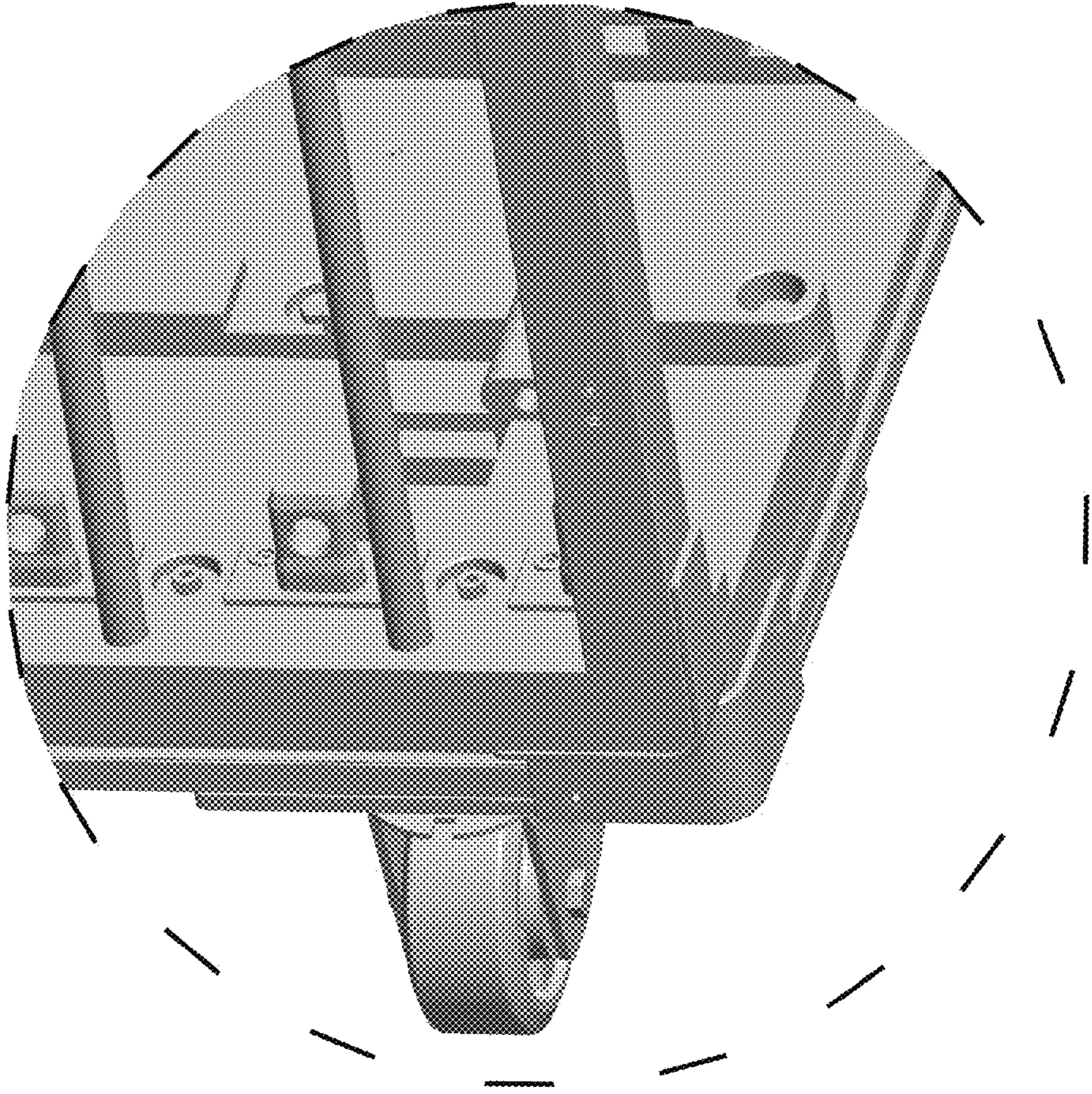


Fig. 27