



US00D828970S

(12) **United States Design Patent**
Harbhajan

(10) **Patent No.:** **US D828,970 S**

(45) **Date of Patent:** **** Sep. 18, 2018**

- (54) **IN-GARBAGE LID CONTAINER**
- (71) Applicant: **Saish Harbhajan**, Jamaica, NY (US)
- (72) Inventor: **Saish Harbhajan**, Jamaica, NY (US)
- (**) Term: **15 Years**
- (21) Appl. No.: **29/589,082**
- (22) Filed: **Dec. 28, 2016**
- (51) **LOC (11) Cl.** **09-09**
- (52) **U.S. Cl.**
USPC **D34/10**
- (58) **Field of Classification Search**
USPC D34/1-11; 220/810, 814, 254.1, 254.2,
220/254.3, 254.4, 908-913
CPC B65D 2543/00092; B65D 2543/00296;
B65D 47/0847; B65D 47/0833; B65D
61/022; B65F 1/1607
See application file for complete search history.

D519,257 S	4/2006	de Winter	D34/11
D550,918 S	9/2007	Wang	D34/11
D566,924 S	4/2008	Shek	D34/11
D670,059 S	10/2012	Katechis	D34/9
D727,585 S	4/2015	Busch	D34/11
D733,384 S	6/2015	Lloyd	D34/7
2010/0326988 A1	12/2010	Vogel	B65D 25/32 220/254.1

Primary Examiner — Cynthia Ramirez
(74) *Attorney, Agent, or Firm* — Michael J. Feigin, Esq.;
Feigin and Fridman LLC

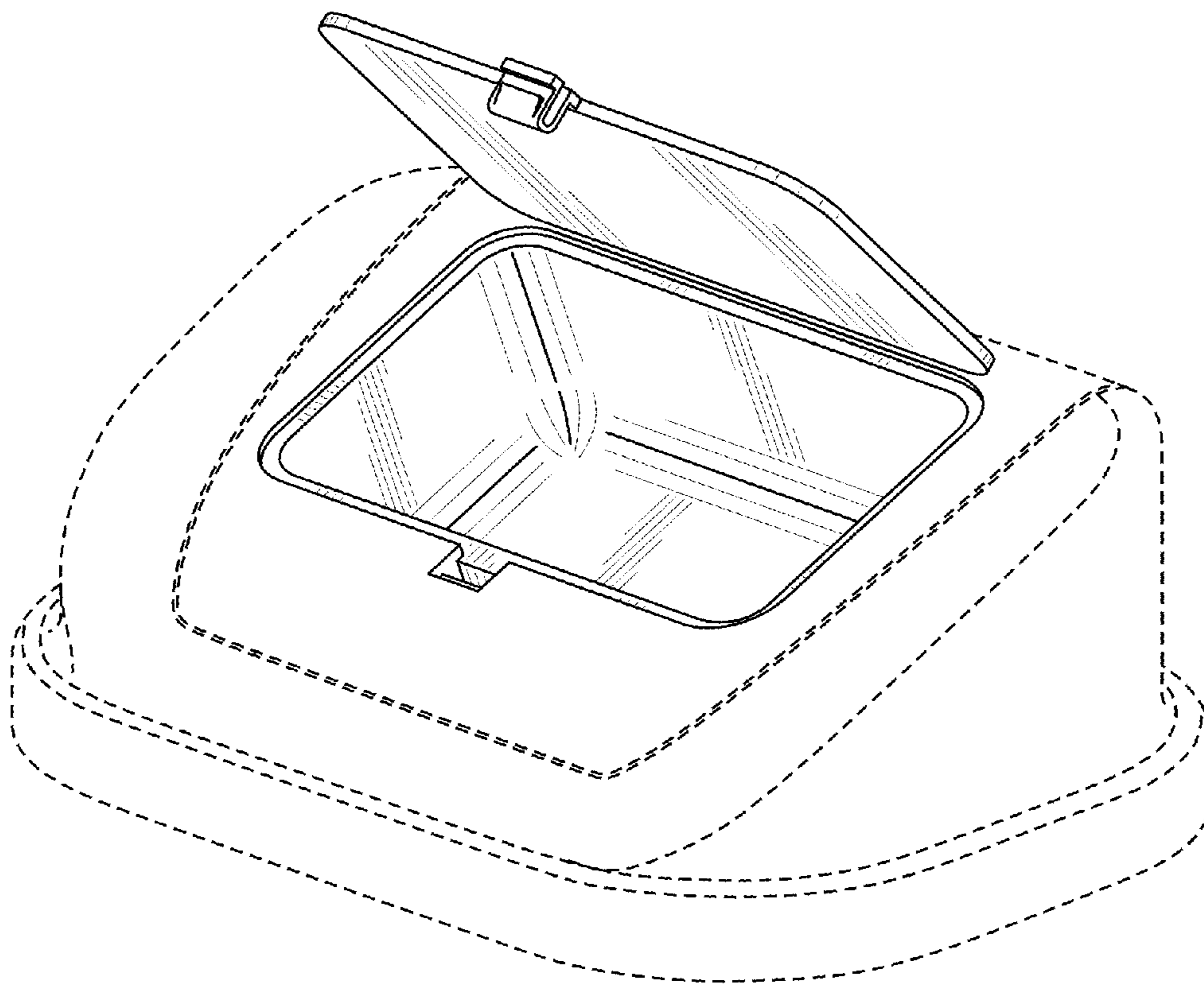
(57) **CLAIM**
The ornamental design for an in-garbage lid container, as shown and described.

DESCRIPTION

FIG. 1 shows a front perspective view of an in-garbage lid container.
FIG. 2 shows a rear perspective view thereof.
FIG. 3 shows a front elevation view thereof.
FIG. 4 shows a rear elevation view thereof.
FIG. 5 shows a top plan view thereof.
FIG. 6 shows a bottom plan view thereof; and,
FIG. 7 shows a side elevation view, the other side being a mirror image thereof.
The broken lines are included for the purpose of illustrating portions of the in-garbage lid container that form no part of the claimed design.

1 Claim, 7 Drawing Sheets

- (56) **References Cited**
U.S. PATENT DOCUMENTS
4,739,900 A 4/1988 Borst B65D 47/0833
220/315
D331,133 S 11/1992 Edwards D34/10
D410,576 S 6/1999 Edwards D34/10
D414,908 S 10/1999 Mockett D34/10



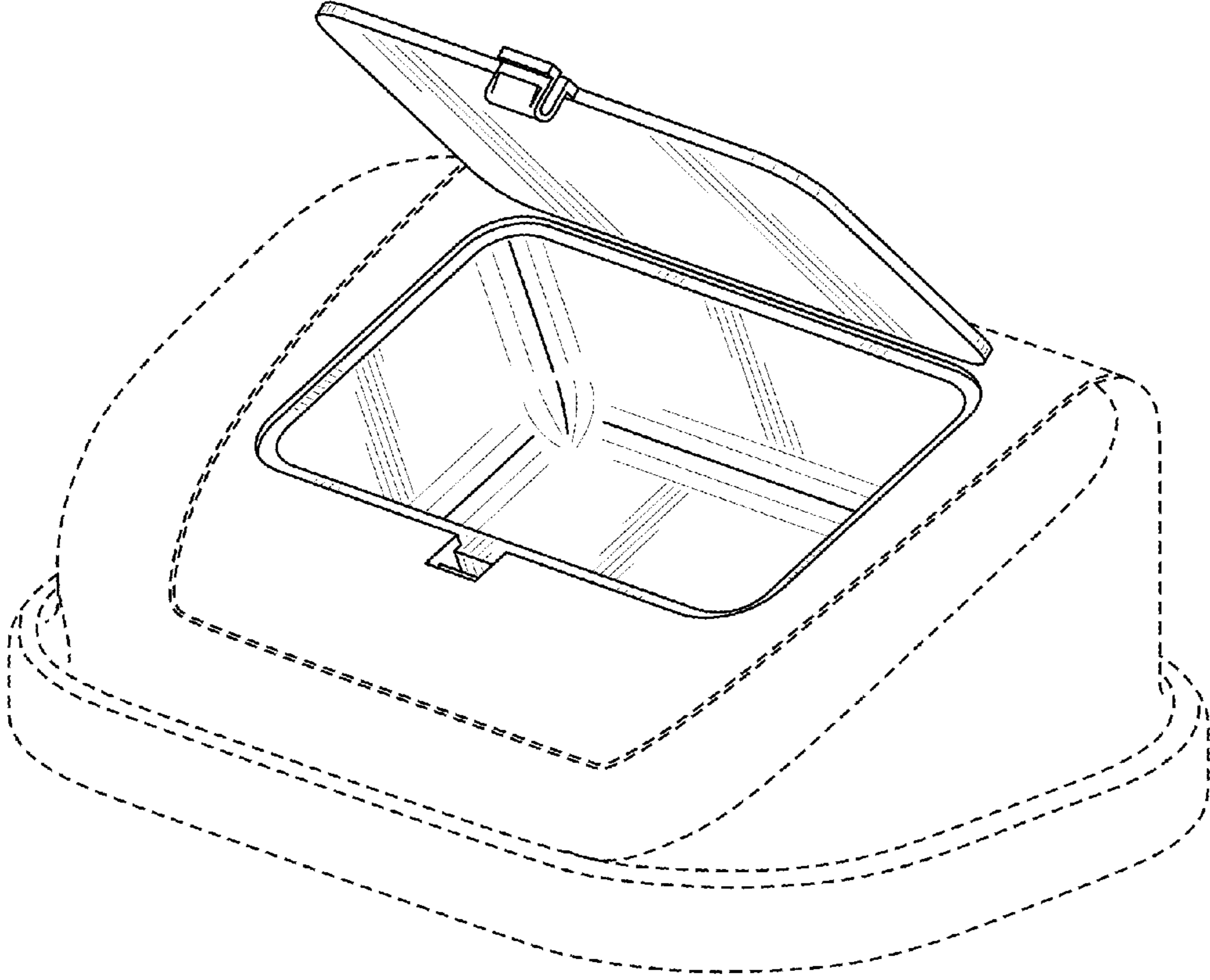


FIG. 1

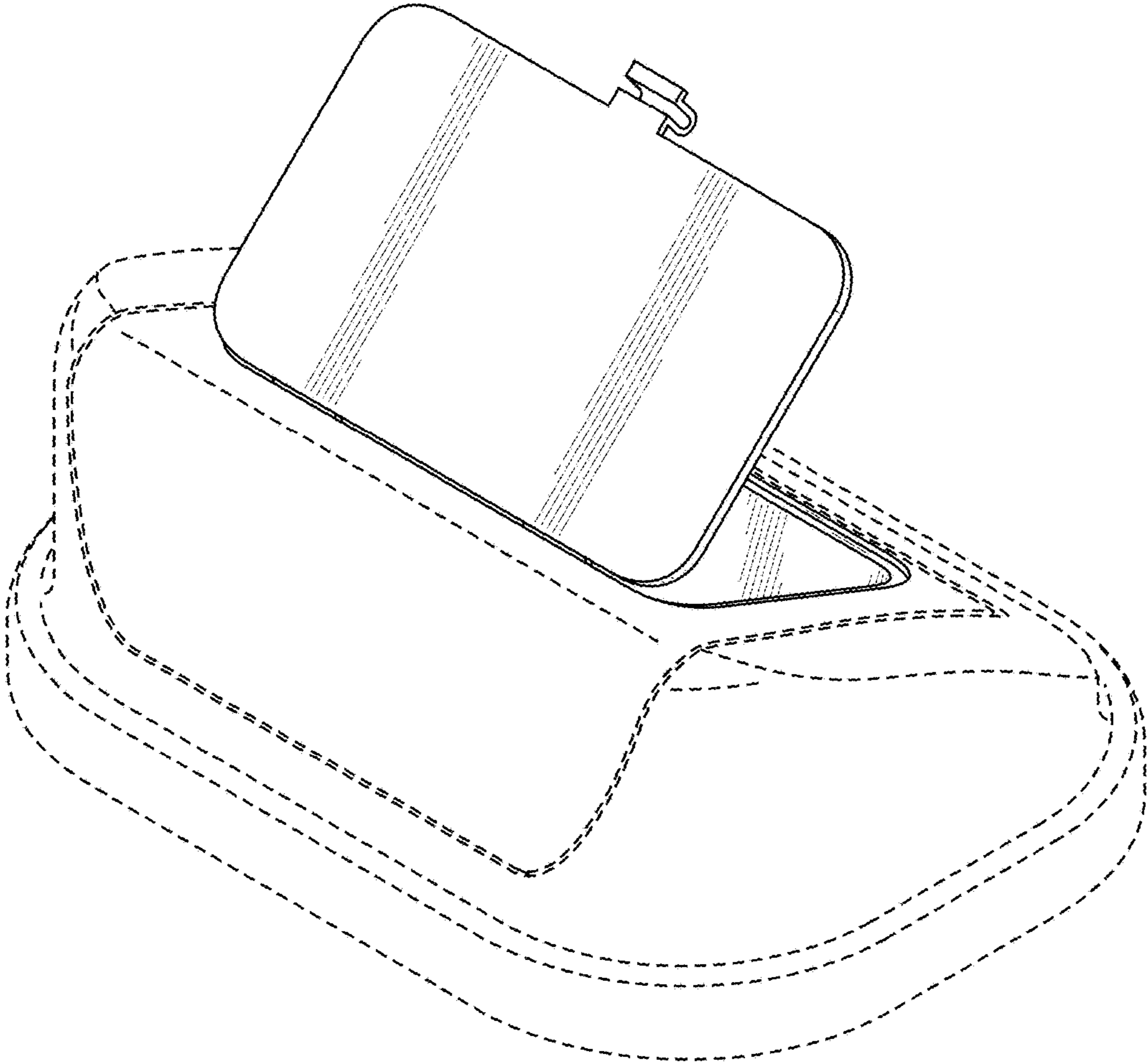


FIG. 2

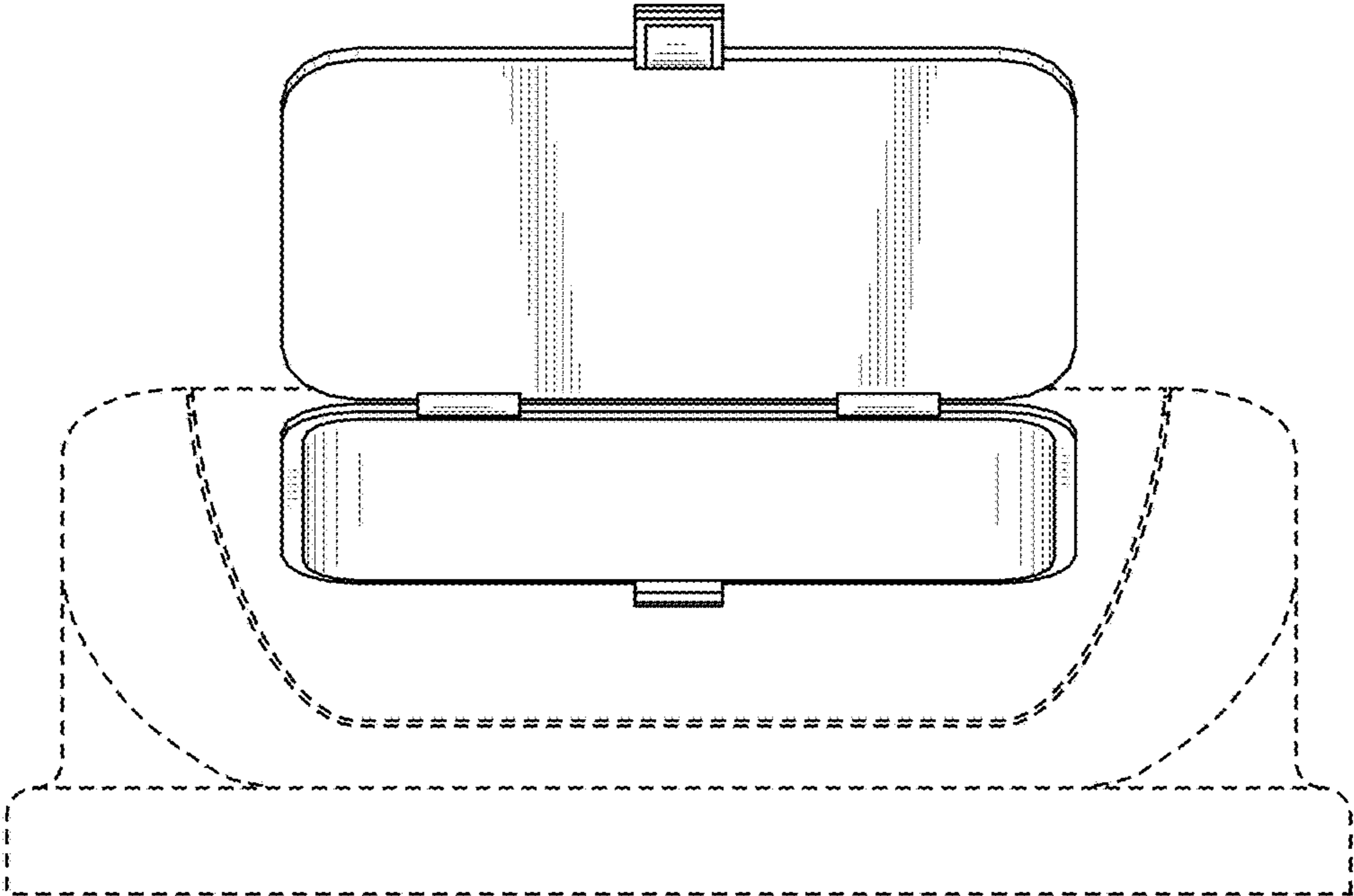


FIG. 3

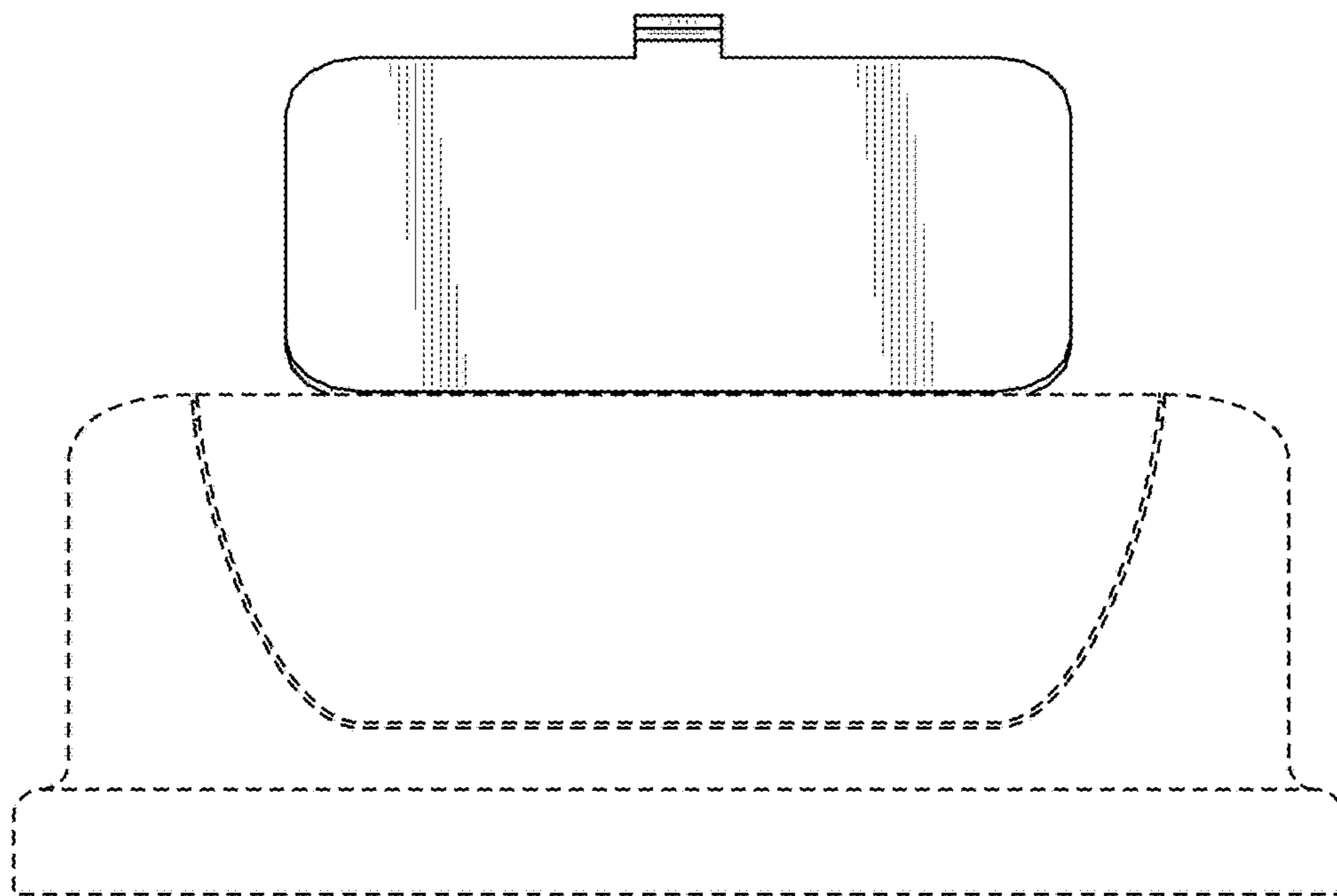


FIG. 4

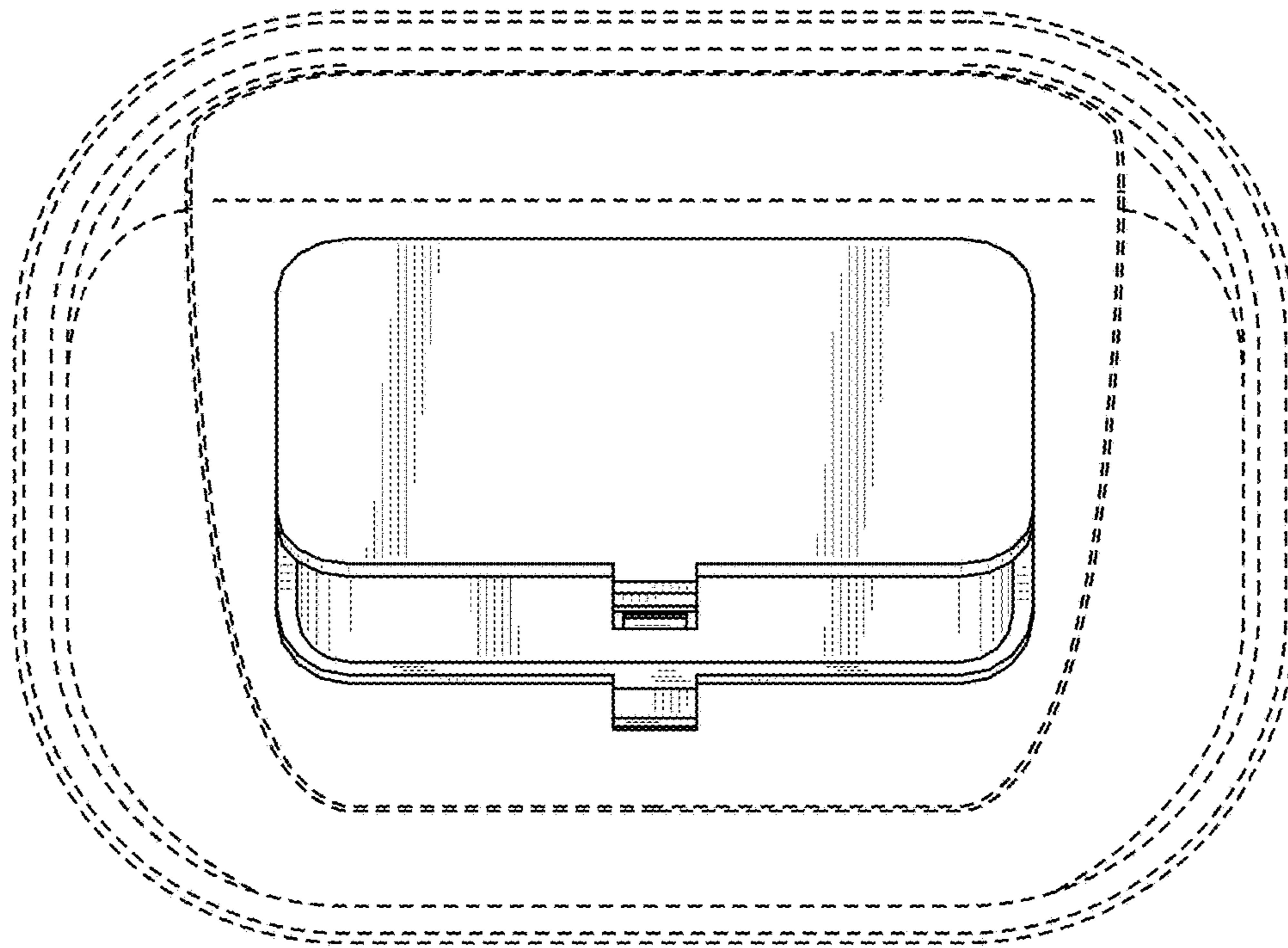


FIG. 5

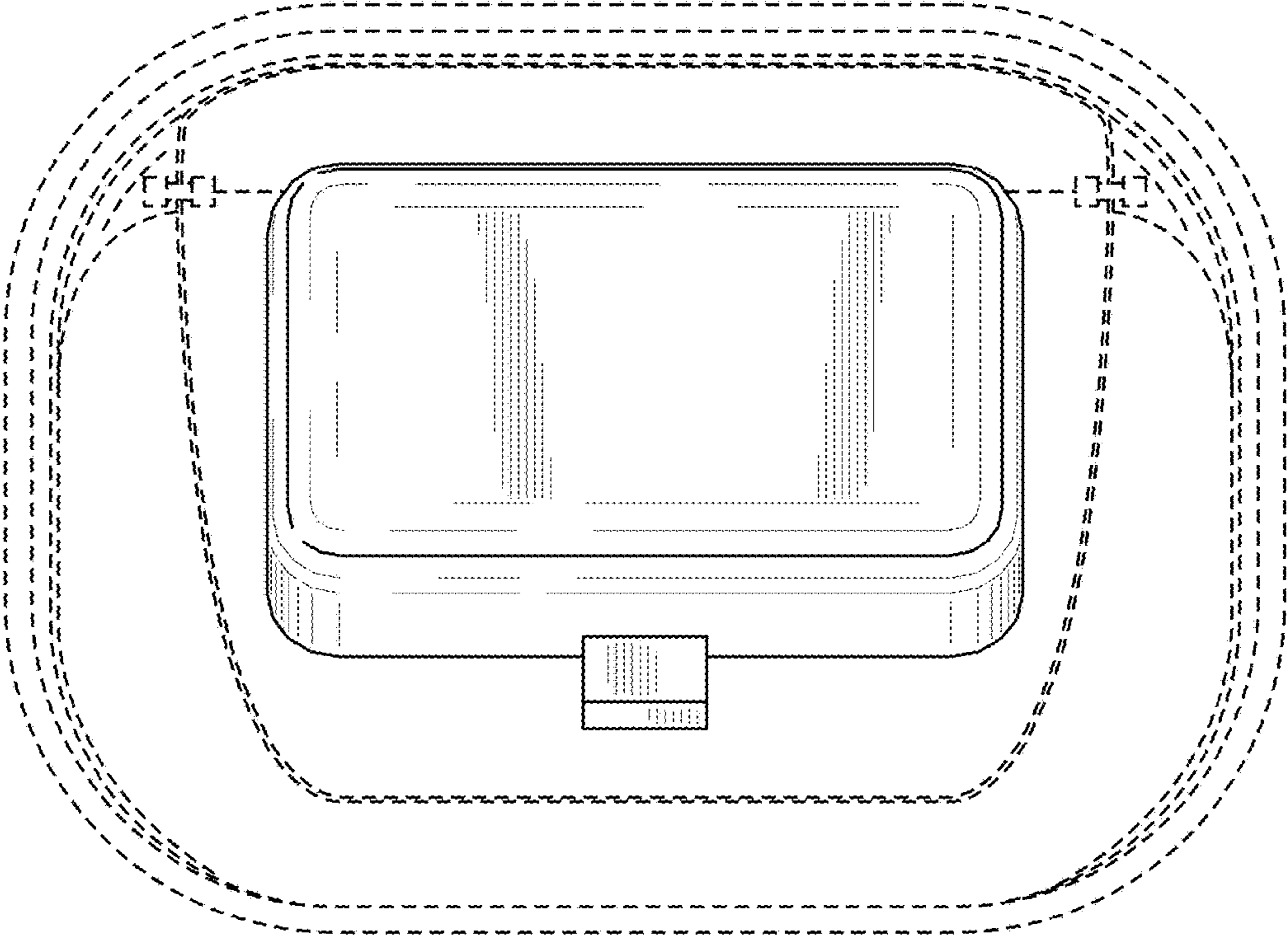


FIG. 6

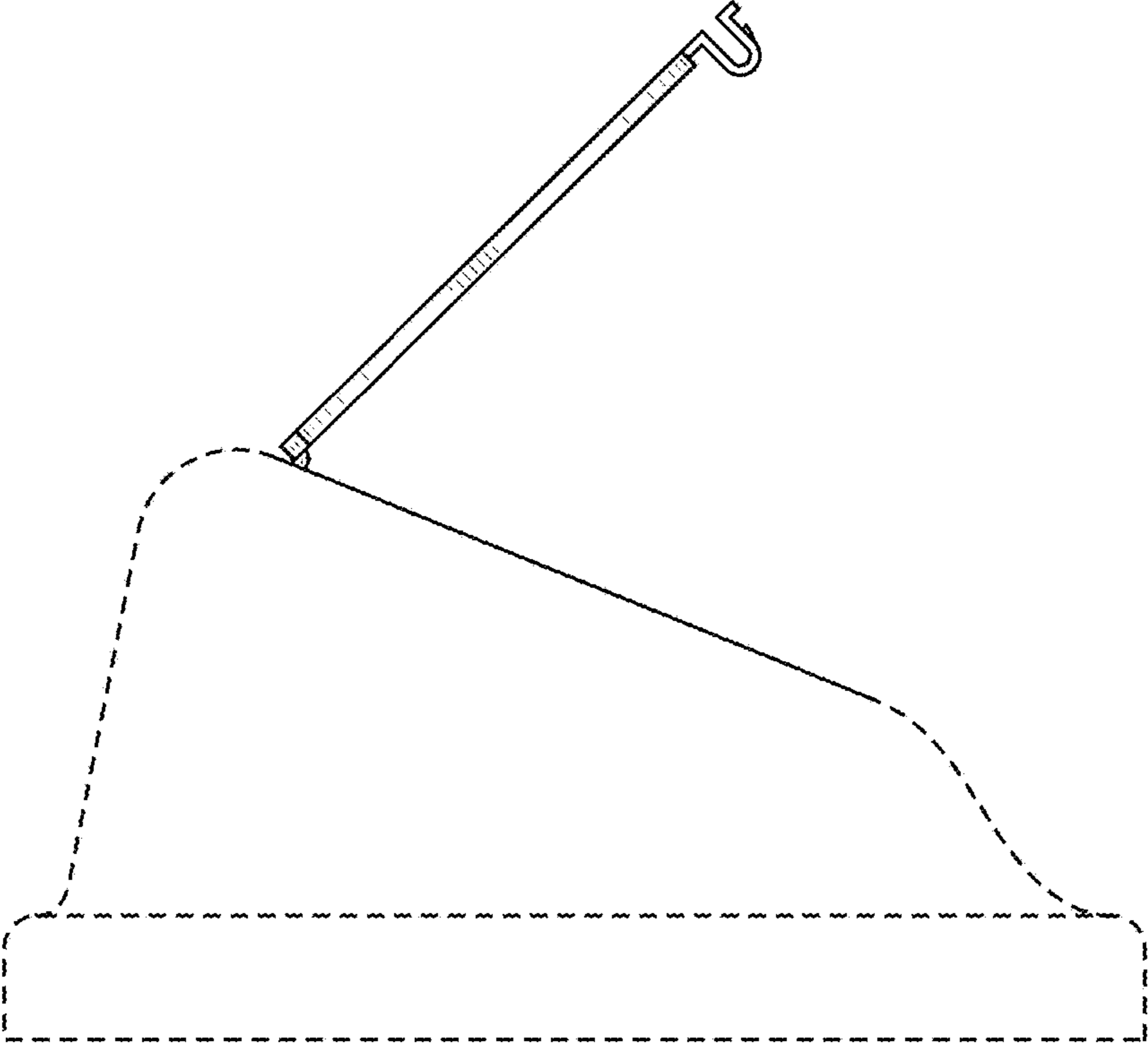


FIG. 7