



US00D828968S

(12) **United States Design Patent**  
**Tokoi**

(10) **Patent No.:** **US D828,968 S**

(45) **Date of Patent:** **\*\* Sep. 18, 2018**

(54) **HEAD FOR AN ELECTRIC VACUUM CLEANER**

(71) Applicant: **IRIS OHYAMA INC.**, Sendai-shi, Miyagi (JP)

(72) Inventor: **Shohei Tokoi**, Kakuda (JP)

(73) Assignee: **IRIS OHYAMA INC.**, Sendai-shi (JP)

(\*\*) Term: **15 Years**

(21) Appl. No.: **29/615,623**

(22) Filed: **Aug. 30, 2017**

(30) **Foreign Application Priority Data**

Mar. 4, 2017 (JP) ..... 2017-004468

(51) **LOC (11) Cl.** ..... **15-05**

(52) **U.S. Cl.**  
USPC ..... **D32/32**

(58) **Field of Classification Search**  
USPC ..... D32/31-34, 20-22, 38-39, 45  
CPC ..... A47L 9/02; A47L 9/04; A47L 9/06; A47L 9/0477; A47L 9/2842; A47L 9/0693; A47L 9/0444; A47L 9/0461; A47L 9/325; A47L 9/28; A47L 5/362; A47L 5/365; A47L 5/325; A47L 5/28; A47L 5/30; A47L 5/34; A47L 5/36; A47L 5/02; A47L 5/24; A47L 11/4044; E04H 4/1654; A46B 13/001; E01H 1/0854  
See application file for complete search history.

(56) **References Cited**

**U.S. PATENT DOCUMENTS**

D424,766 S \* 5/2000 Martin ..... D32/32  
D468,499 S \* 1/2003 Kitts ..... D32/32

D507,854 S \* 7/2005 Kim ..... D32/32  
D698,510 S \* 1/2014 Chu ..... D32/32  
D768,347 S \* 10/2016 Bu ..... D32/33  
D776,380 S \* 1/2017 Yoneda ..... D32/32  
D778,018 S \* 1/2017 Bu ..... D32/32  
D789,007 S \* 6/2017 Jang ..... D32/32  
D796,136 S \* 8/2017 Reynolds ..... D32/33

**OTHER PUBLICATIONS**

An Office Action; "Notice of Allowance", issued by the Japanese Patent Office on Nov. 7, 2017, which corresponds to Japanese Design Application No. 2017-004468; with English language Concise Explanation.  
The Japanese Patent Office Design Division known document No. HA17016328; p. 119.

\* cited by examiner

*Primary Examiner* — Ruth McInroy

(57) **CLAIM**

The ornamental design for a head for an electric vacuum cleaner, as shown and described.

**DESCRIPTION**

FIG. 1 is a front, top and right-side perspective view of a head for an electric vacuum cleaner showing my new design;  
FIG. 2 is a front view thereof;  
FIG. 3 is a rear view thereof;  
FIG. 4 is a top view thereof;  
FIG. 5 is a bottom view thereof; and,  
FIG. 6 is a right-side view thereof, with the left-side view being a mirror image thereof.

**1 Claim, 6 Drawing Sheets**

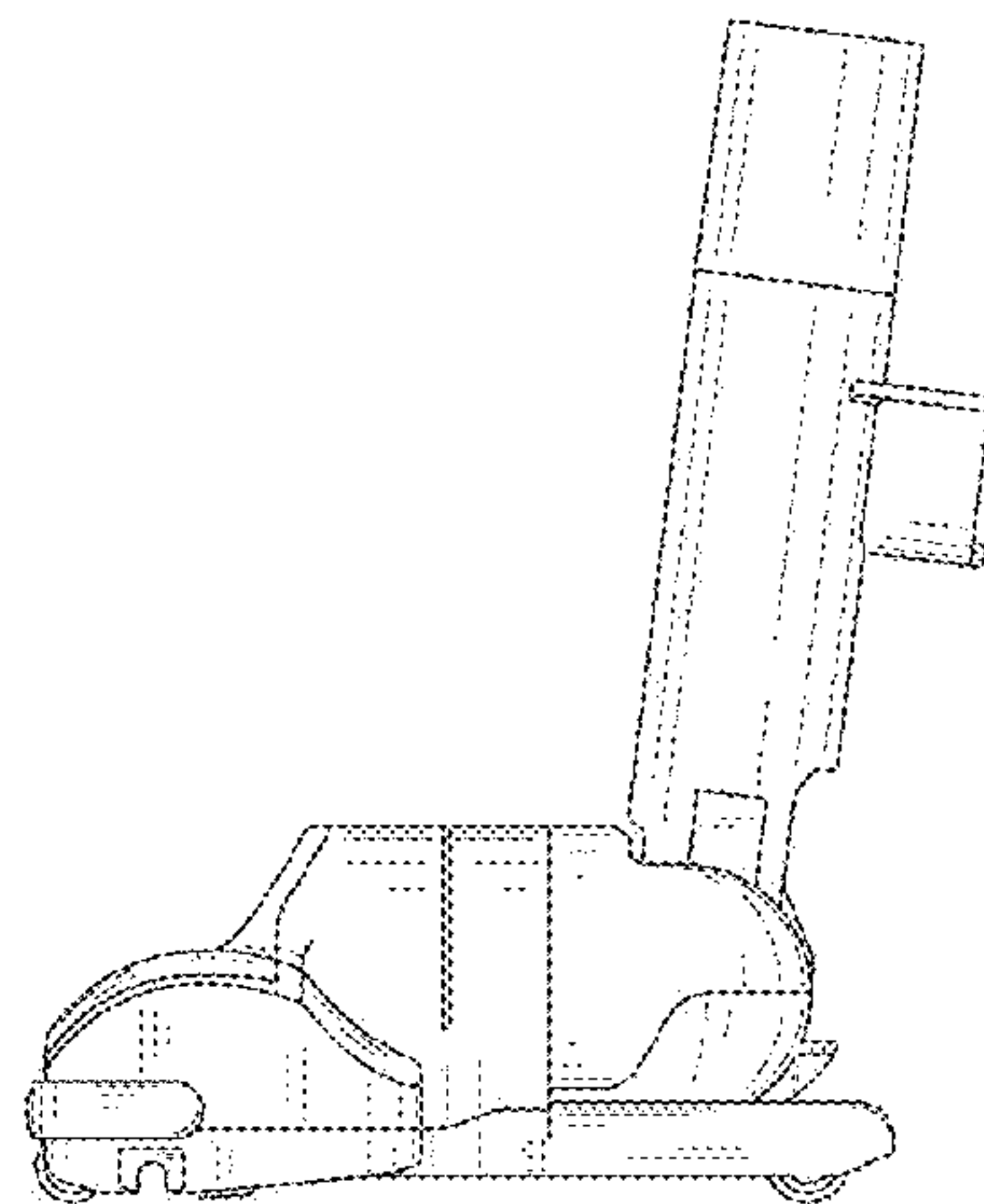
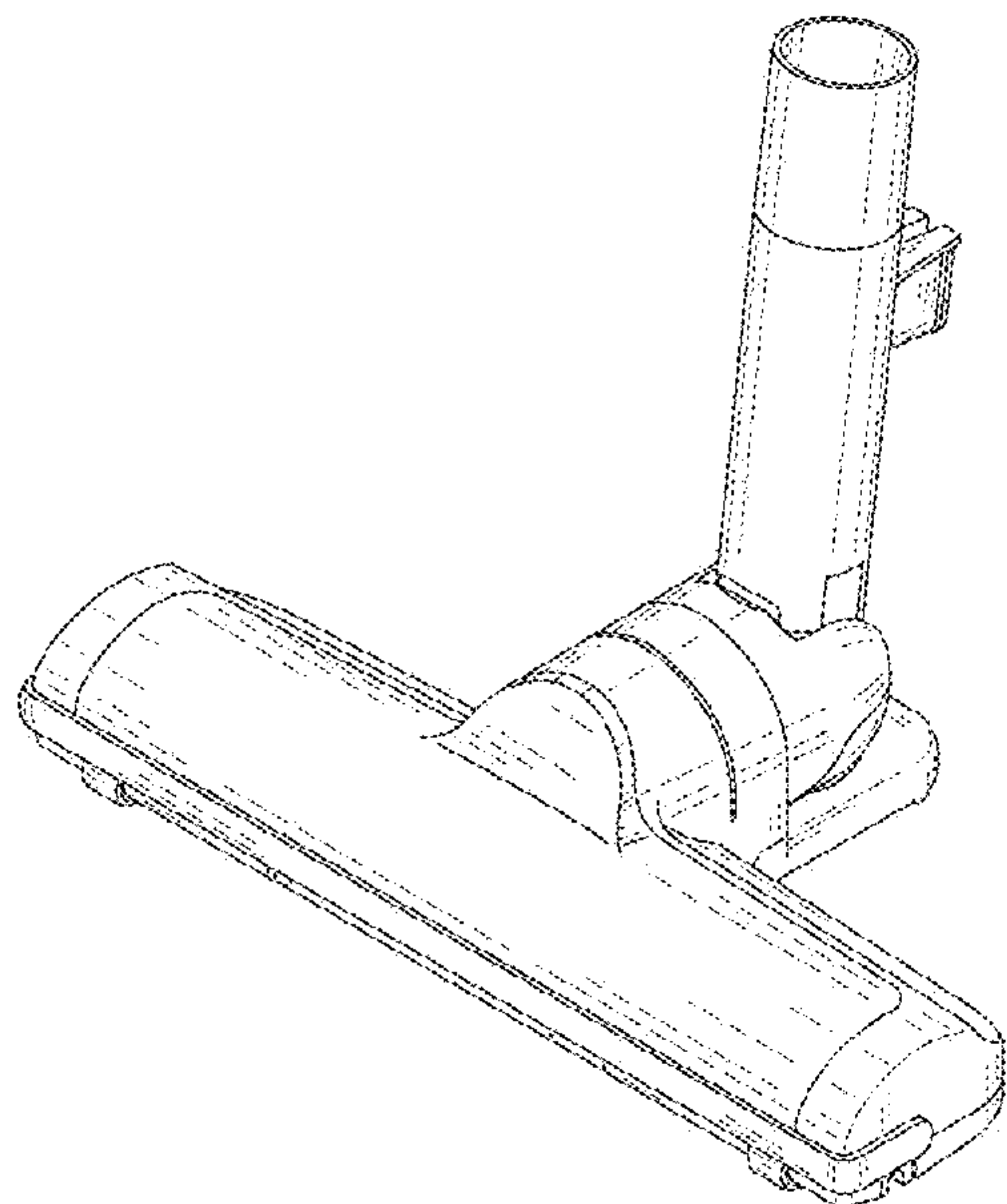


FIG. 1

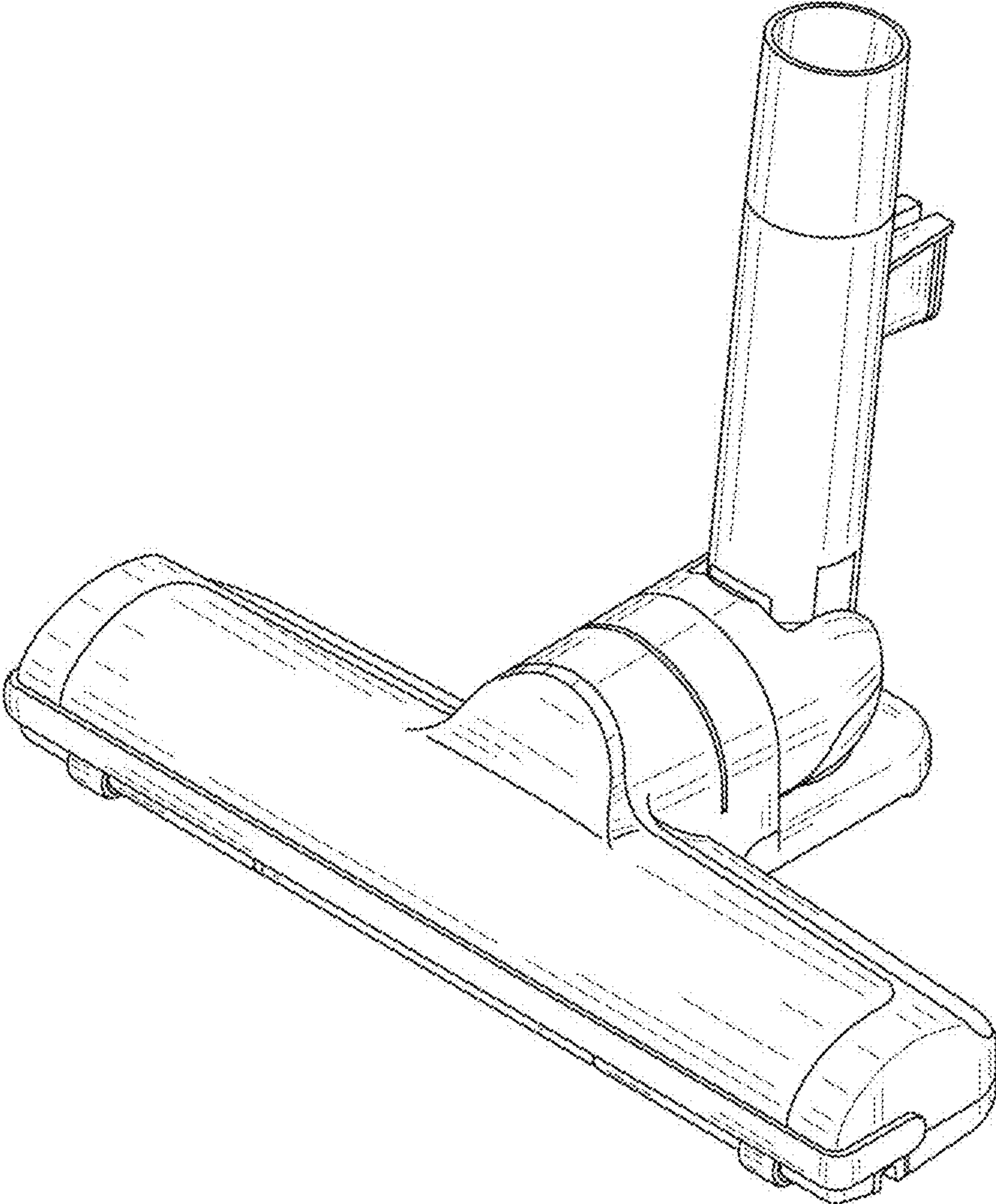


FIG. 2

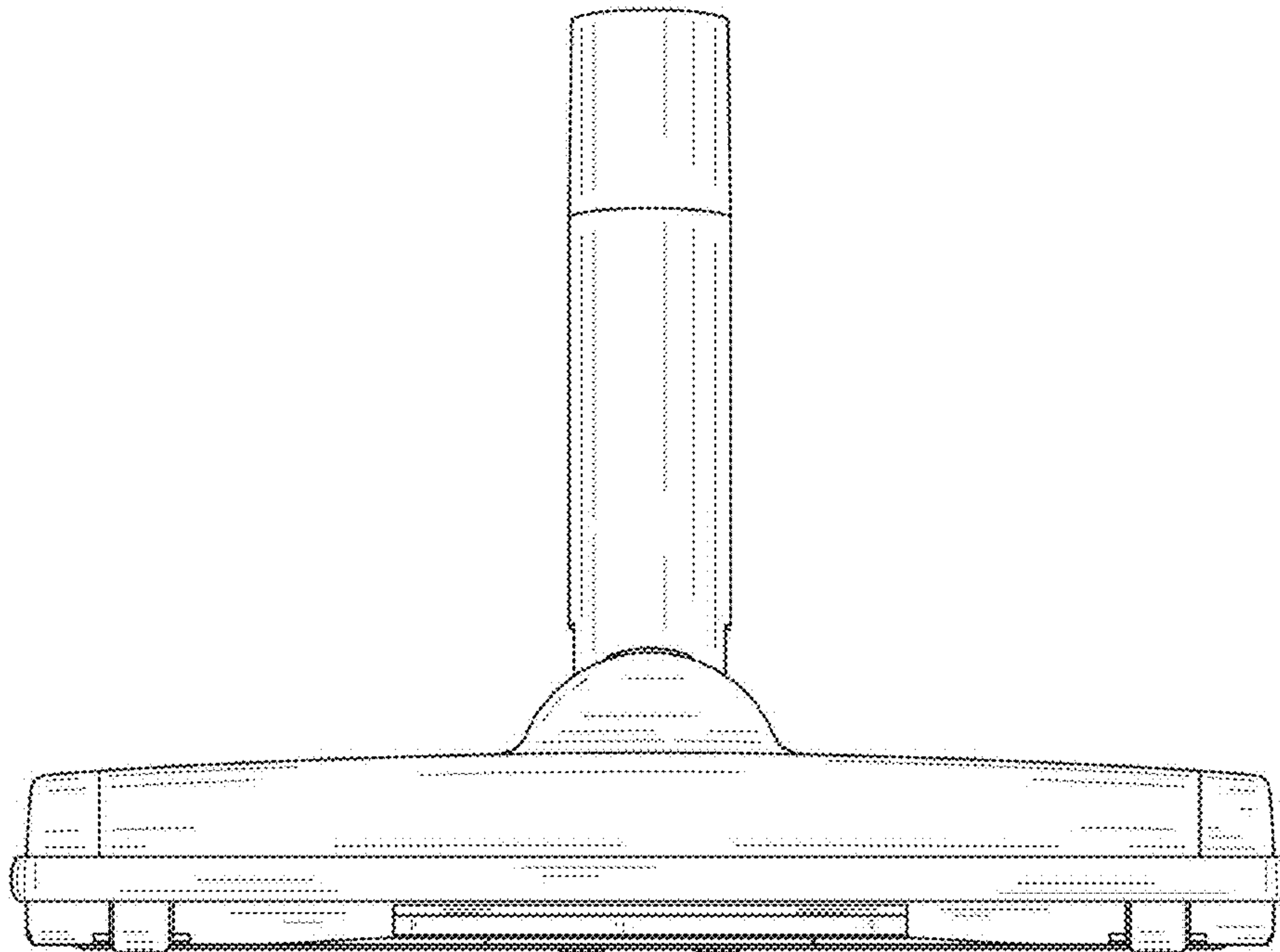


FIG. 3

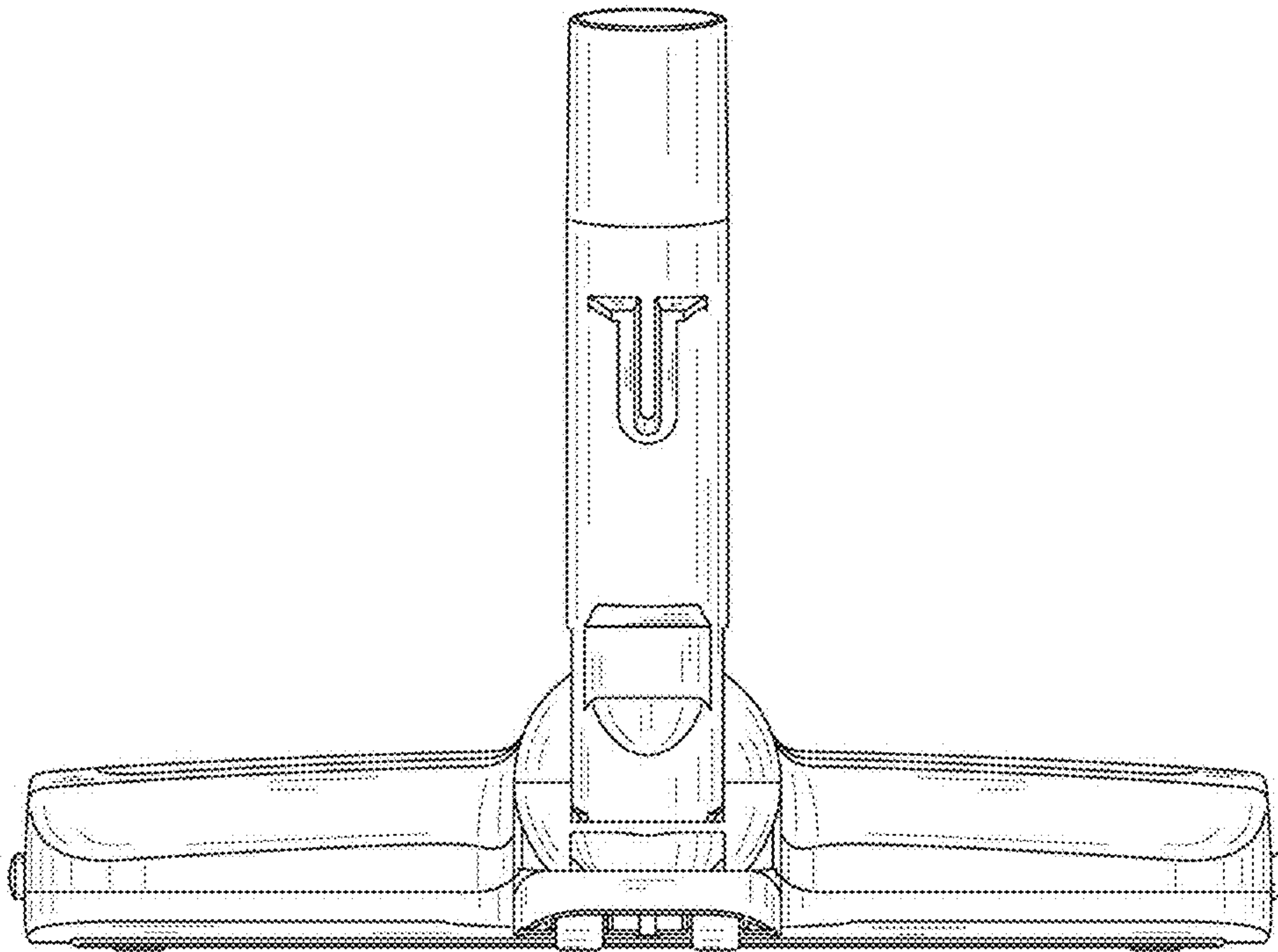


FIG. 4

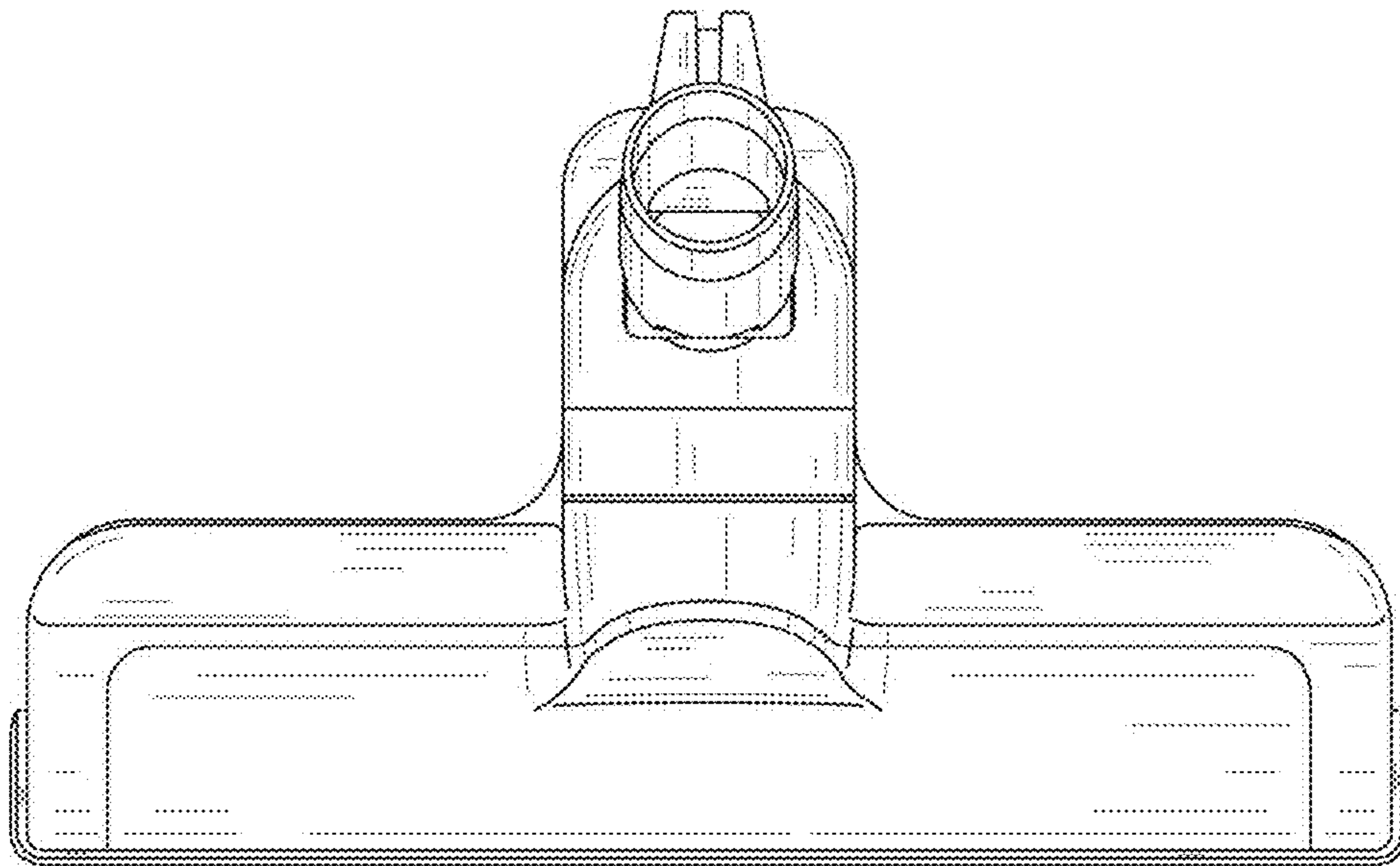




FIG. 5

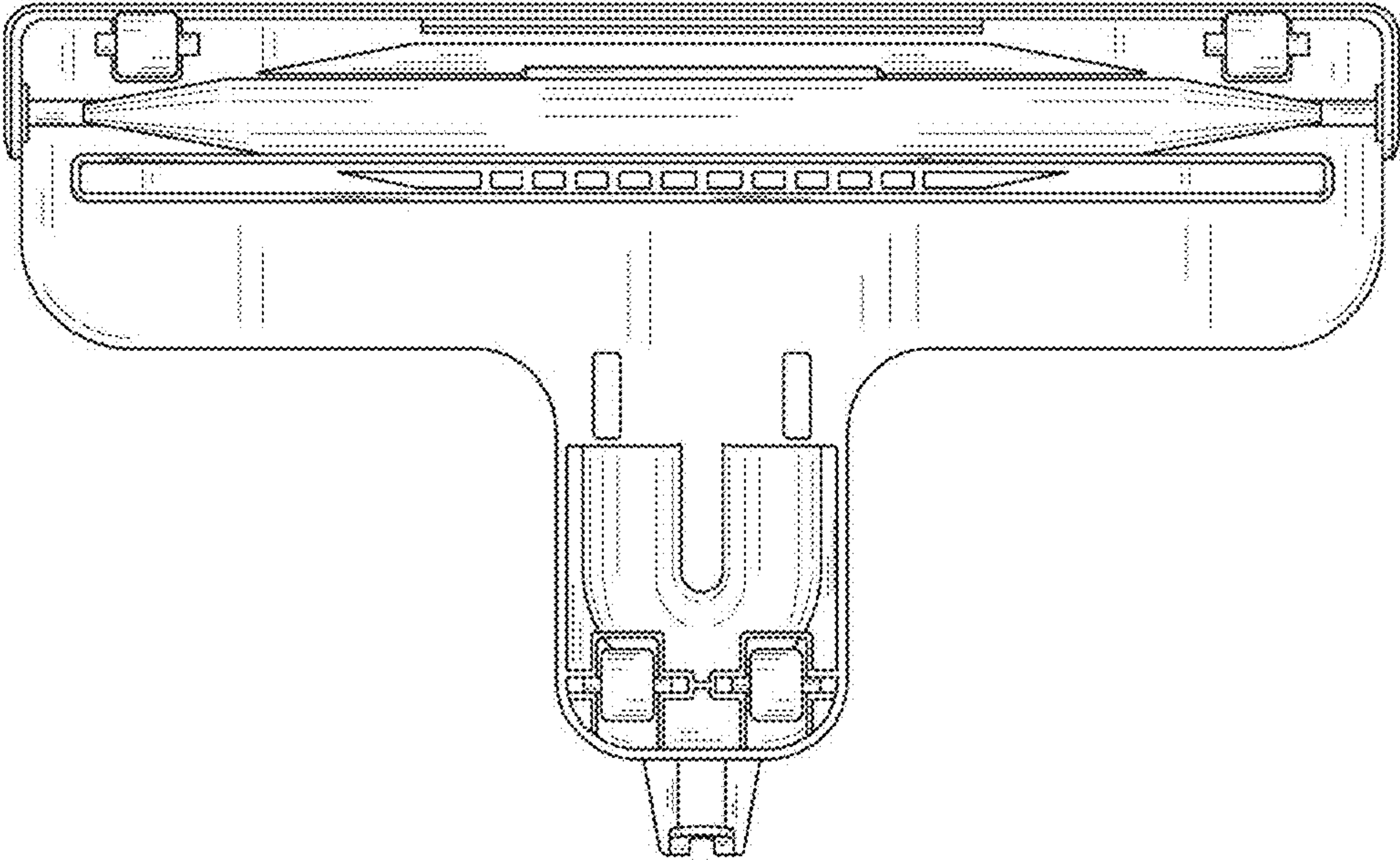


FIG. 6

