



US00D828967S

(12) **United States Design Patent**
Lin et al.

(10) **Patent No.:** **US D828,967 S**
(45) **Date of Patent:** **** Sep. 18, 2018**

- (54) **POOL CLEANER**
- (71) Applicant: **Intex Marketing Ltd.**, Tortola (VG)
- (72) Inventors: **Hua Hsiang Lin**, Fujian (CN); **Yaw Yuan Hsu**, Fujian (CN)
- (73) Assignee: **Intex Marketing Ltd.**, Tortola (VG)
- (**) Term: **15 Years**
- (21) Appl. No.: **29/586,200**
- (22) Filed: **Dec. 1, 2016**

Related U.S. Application Data

- (62) Division of application No. 29/539,870, filed on Sep. 18, 2015, now Pat. No. Des. 785,260.

(30) **Foreign Application Priority Data**

- Apr. 14, 2015 (CN) 2015 2 0222789
- May 11, 2015 (CN) 2015 2 03002827
- Jul. 14, 2015 (CN) 2015 3 02523273

- (51) **LOC (11) Cl.** **15-05**

- (52) **U.S. Cl.**
USPC **D32/31**

- (58) **Field of Classification Search**

USPC D32/17, 21-24, 31
 CPC D06F 87/00; D06F 75/06; D06F 73/00;
 F22B 1/284; F24F 6/025; B44C 7/027;
 A47L 11/34; A47L 9/2842; A04H 4/1636;
 A04H 4/1654; A04H 4/169; E04H
 4/1272; B01D 35/26

See application file for complete search history.

(56) **References Cited**

U.S. PATENT DOCUMENTS

- 4,962,559 A * 10/1990 Schuman E04H 4/1618
15/1.7
- 5,317,776 A 6/1994 DeMoura

- 5,768,734 A 6/1998 Dietrich
- D405,929 S 2/1999 Sovis et al.
- D430,364 S 8/2000 Supra
- 6,248,232 B1 6/2001 Stoner
- D453,246 S 1/2002 Nimmo
- 6,448,494 B1 * 9/2002 Erlich E04H 4/1654
174/10
- D485,652 S 1/2004 Erlich
- D487,826 S * 3/2004 Supra D32/25
- 6,742,613 B2 6/2004 Erlich et al.
- 6,797,157 B2 9/2004 Erlich
- D510,162 S 9/2005 Ma
- 6,939,460 B2 9/2005 Erlich
- 6,971,136 B2 12/2005 Horvath et al.
- D518,253 S 3/2006 Erlich et al.
- D522,191 S 5/2006 Erlich
- D522,700 S * 6/2006 Rademeyer D32/15
- 7,060,182 B2 6/2006 Erlich et al.

(Continued)

Primary Examiner — Ruth McInroy

(74) *Attorney, Agent, or Firm* — Faegre Baker Daniels
LLP

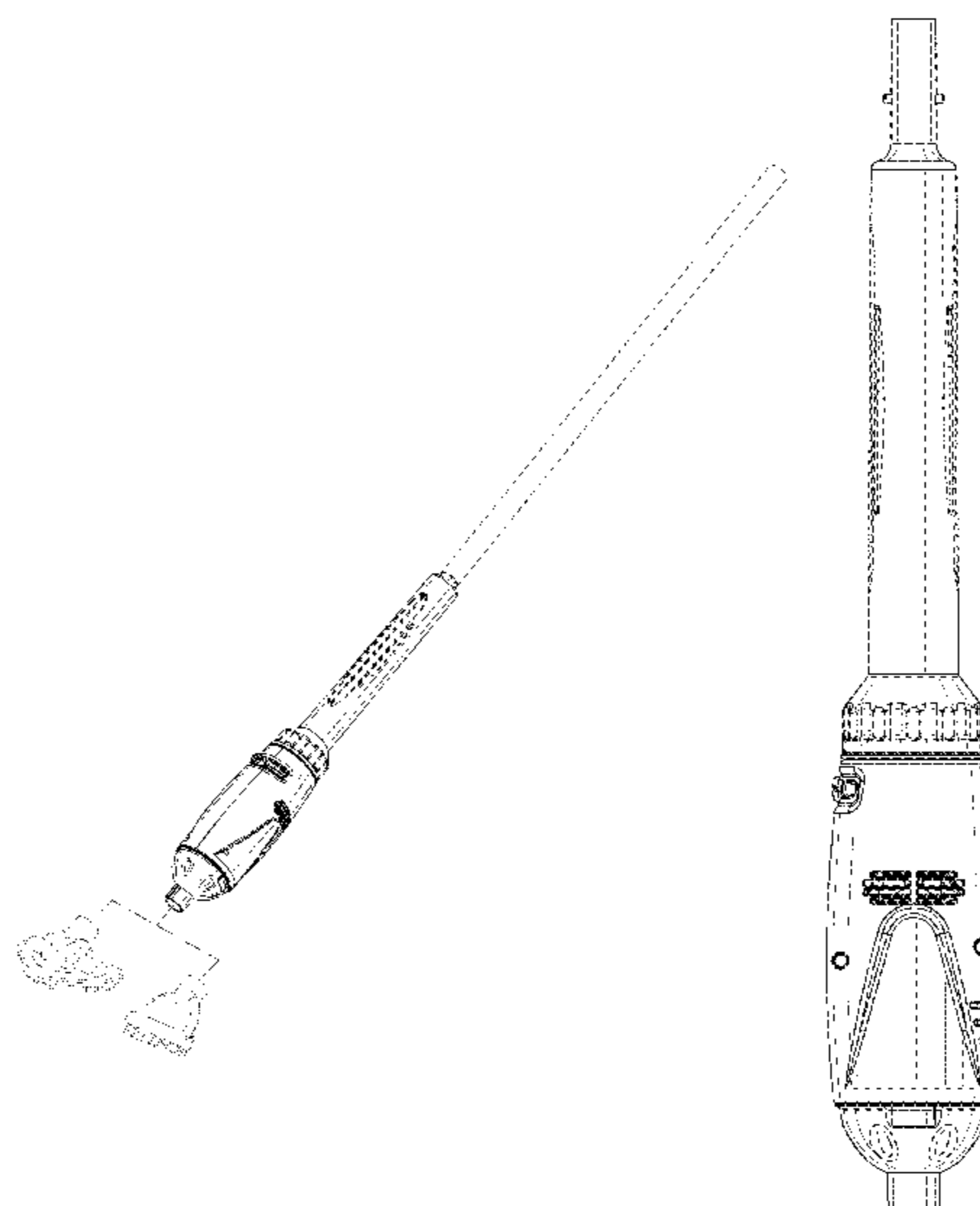
(57) **CLAIM**

We claim the ornamental design for a pool cleaner, as shown and described.

DESCRIPTION

FIG. 1 is a perspective view of a pool cleaner showing our new design;
 FIG. 2 is an enlarged view of the claimed portion in FIG. 1;
 FIG. 3 is a left side elevational view thereof;
 FIG. 4 is a front elevational view thereof;
 FIG. 5 is a right side elevational view thereof;
 FIG. 6 is a rear elevational view thereof;
 FIG. 7 is a top plan view thereof; and,
 FIG. 8 is a bottom plan view thereof.
 The broken lines in FIGS. 1-8 are for illustrative purposes only and form no part of the claimed design.

1 Claim, 8 Drawing Sheets



(56)

References Cited

U.S. PATENT DOCUMENTS

7,178,188 B1 *	2/2007	Jaakola	E04H 4/1636				
								15/1.7
D556,396 S	11/2007	Mah et al.						
7,328,473 B2 *	2/2008	Deklinski	E04H 4/1636				
								15/1.7
D565,814 S	4/2008	Agren et al.						
7,437,790 B1 *	10/2008	Ajello	E04H 4/1636				
								15/1.7
7,520,015 B1 *	4/2009	Ajello	E04H 4/1636				
								15/1.7
7,636,975 B2	12/2009	Mah et al.						
D608,962 S	1/2010	Reese et al.						
D611,664 S *	3/2010	Sebor	D32/15				
D611,665 S	3/2010	Braithwaite						
D631,625 S	1/2011	Wada et al.						
D636,954 S	4/2011	Liu et al.						
D637,779 S	5/2011	Bruneel						
D647,262 S	10/2011	Luyckx et al.						
8,128,815 B1	3/2012	Simmons						
D660,526 S *	5/2012	Erlich	D32/18				
8,281,441 B1 *	10/2012	Erlich	E04H 4/1618				
								15/1.7
8,296,891 B1	10/2012	Rowan et al.						
D682,493 S	5/2013	Erlich et al.						
D683,918 S	6/2013	Erlich et al.						
D685,542 S	7/2013	Erlich et al.						
D713,110 S *	9/2014	Erlich	D32/33				
D720,101 S	12/2014	Erlich et al.						
D770,105 S *	10/2016	Kim	D32/22				
2003/0101523 A1 *	6/2003	Lepley, Jr.	E04H 4/1636				
								15/1.7
2004/0168838 A1	9/2004	Erlich et al.						
2005/0108836 A1	5/2005	Rowan et al.						
2005/0247613 A1	11/2005	Bishop et al.						
2006/0048312 A1	3/2006	Horvath et al.						
2006/0064825 A1 *	3/2006	Reed	E04H 4/1636				
								15/1.7
2006/0265820 A1	11/2006	Erlich et al.						
2007/0107148 A1	5/2007	Rowan et al.						
2008/0141471 A1	6/2008	Supra						
2008/0169247 A1	7/2008	Peterson et al.						

* cited by examiner

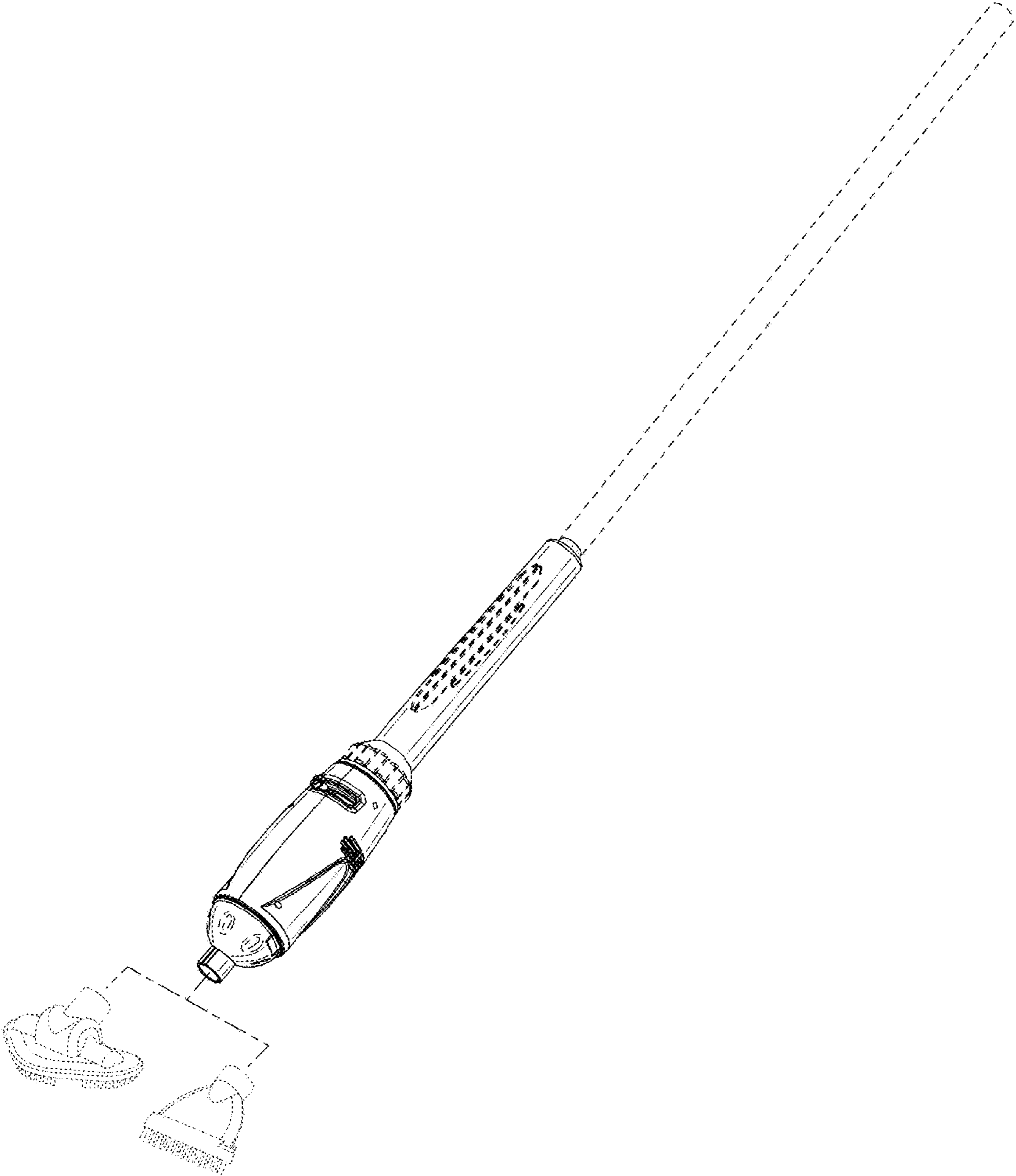


FIG. 1

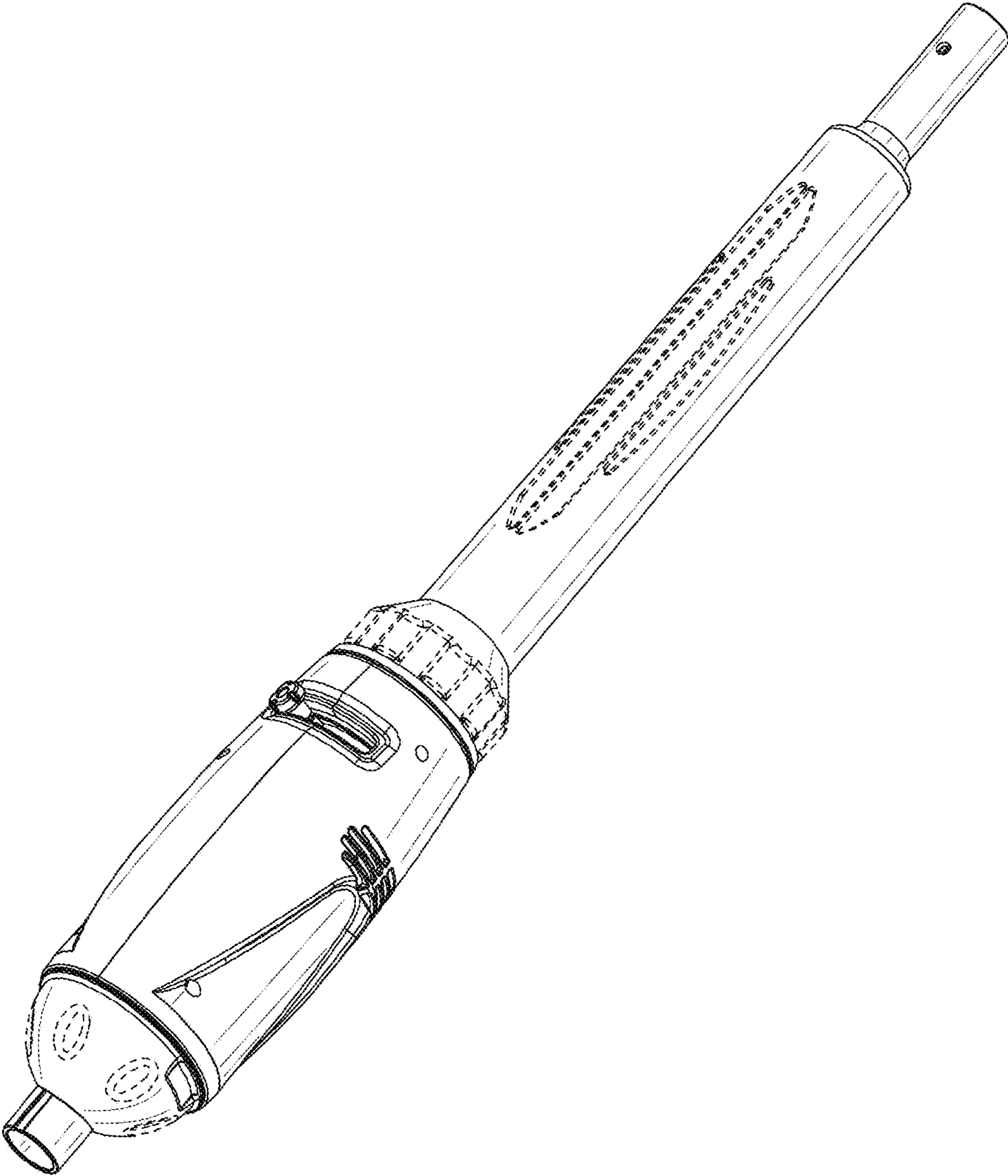


FIG. 2

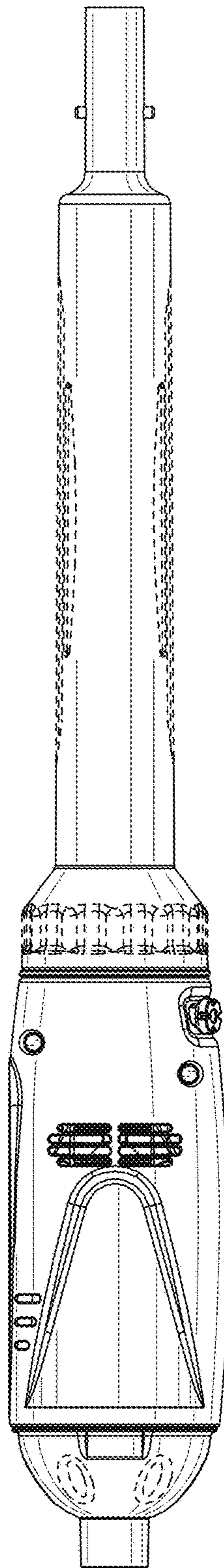


FIG. 3

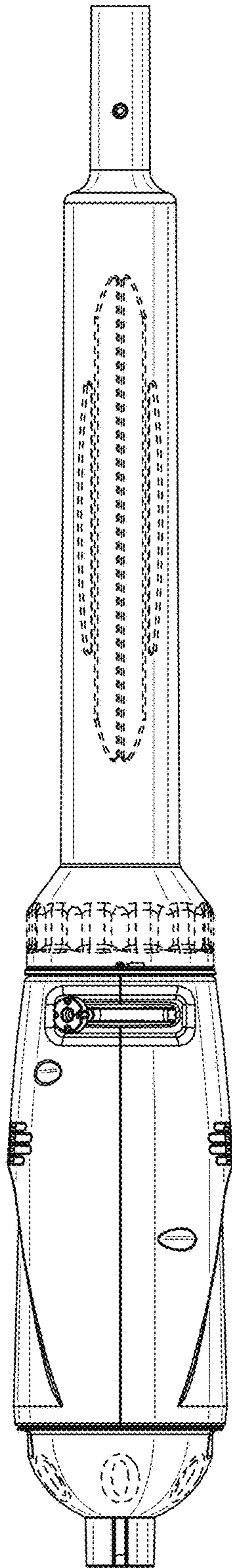


FIG. 4

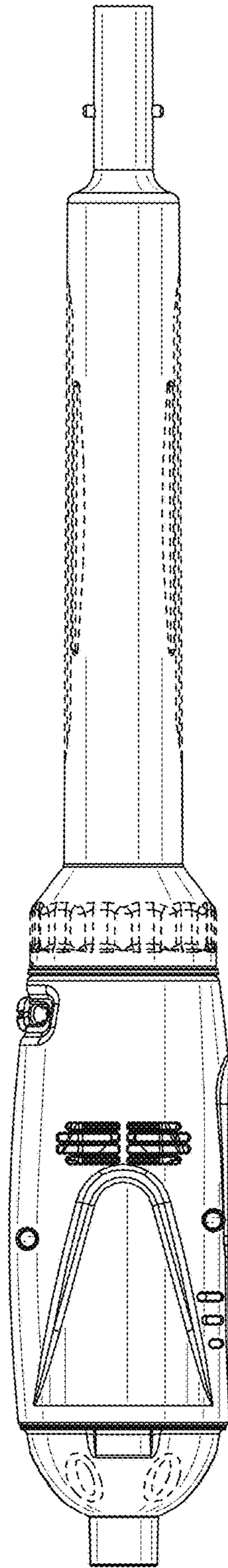


FIG. 5

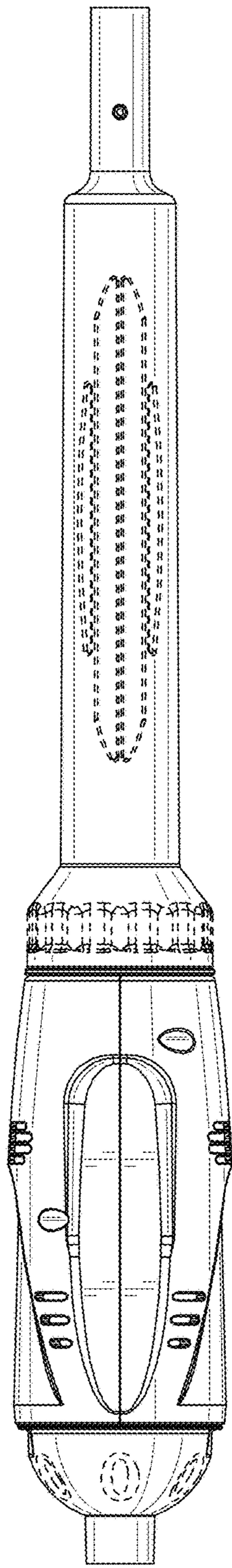


FIG. 6

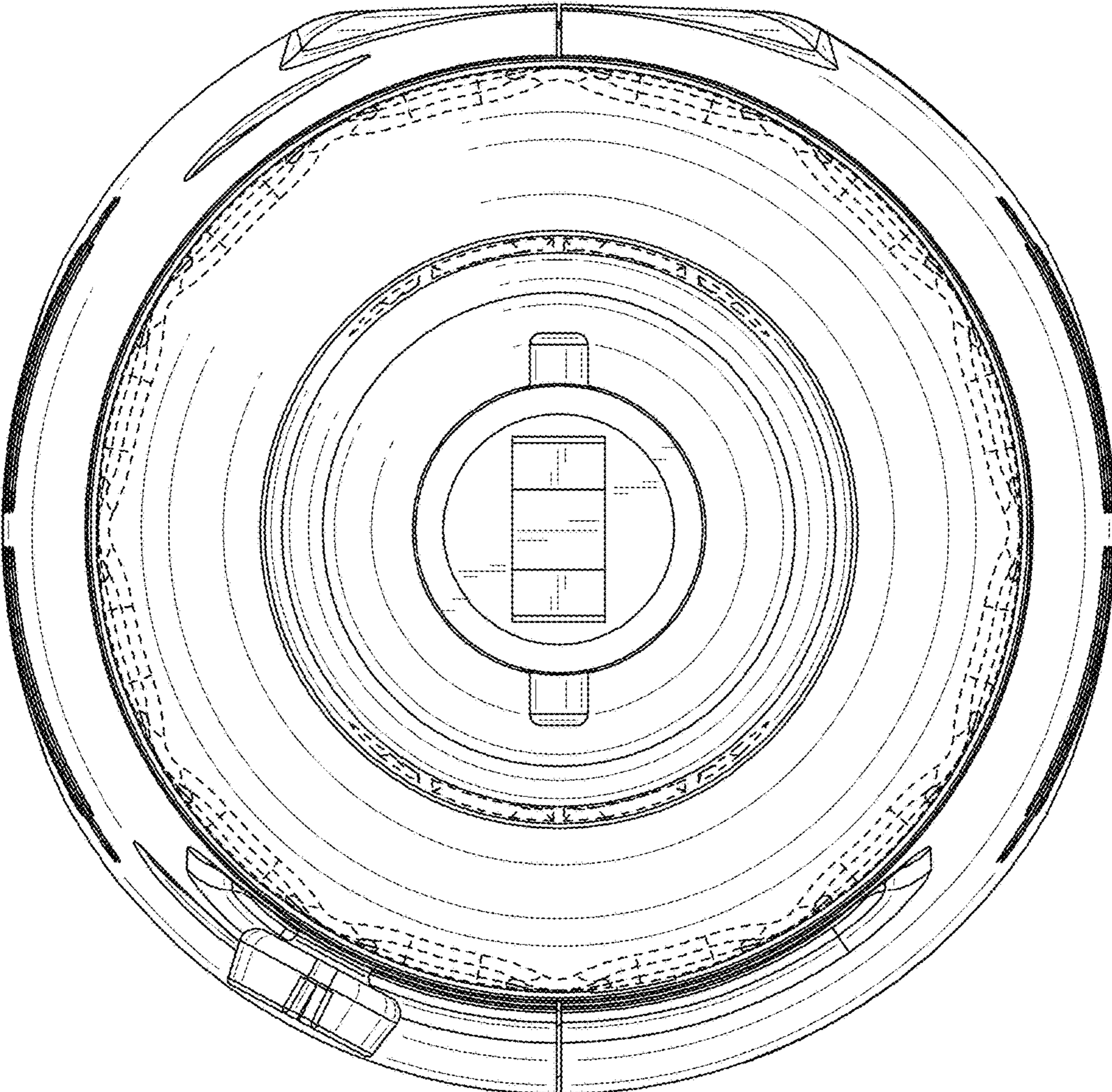


FIG. 7

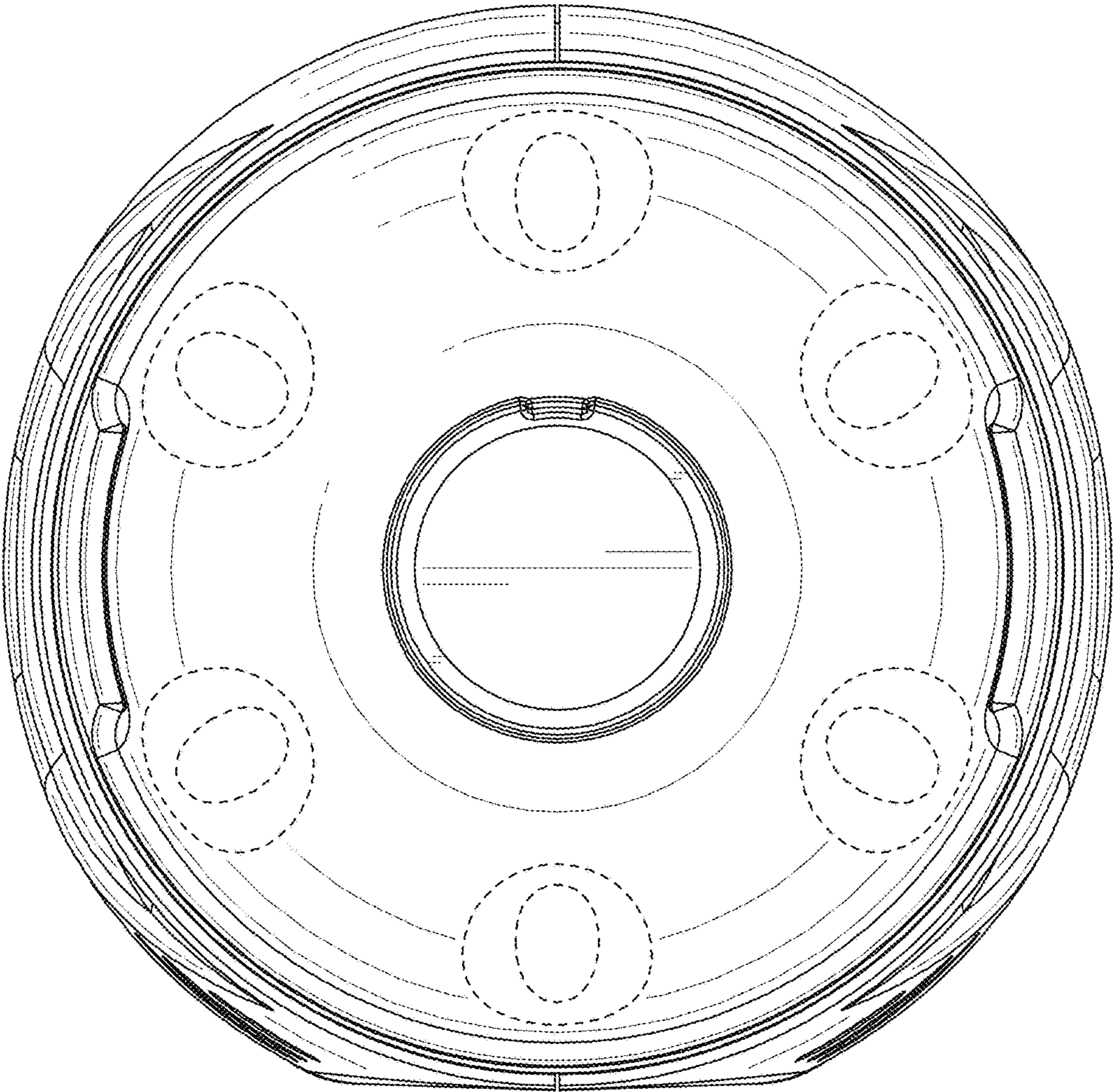


FIG. 8