



US00D828965S

(12) **United States Design Patent**
Wen

(10) **Patent No.:** **US D828,965 S**
(45) **Date of Patent:** **** Sep. 18, 2018**

- (54) **BARK CONTROL**
- (71) Applicant: **Jian Wen**, Shanghai (CN)
- (72) Inventor: **Jian Wen**, Shanghai (CN)
- (**) Term: **15 Years**
- (21) Appl. No.: **29/604,313**
- (22) Filed: **May 17, 2017**
- (51) **LOC (11) Cl.** **30-99**
- (52) **U.S. Cl.**
USPC **D30/199; D10/104.1**
- (58) **Field of Classification Search**
USPC D30/151-155, 144, 199, 160;
119/792-798, 850, 855-859, 863-865,
119/654, 905, 907, 815, 712, 802, 784,
119/769, 760, 776, 862, 908, 860,
119/719-721; 242/381.1-381.2, 385.4,
242/378.3, 376.1, 385.1, 916, 601, 570,
242/405, 404, 371, 223, 170, 388.1,
242/405.2, 377, 381.3, 381.6, 405.3,
242/388.6, 384.7, 382, 396.1, 404.1, 380;
362/108; 33/767, 769, 414; D12/400;
D3/229, 230, 207, 208, 215; 40/1.5, 455,
40/640, 303; 206/63.3, 459.5, 702, 408;
D6/515; D8/358, 360, 347, 360.1, 359,
D8/356, DIG. 1; D24/145; D10/57, 72,
D10/106.1, 104.1, 104.2; D20/28;
224/666, 678; 16/445; 283/74, 70;
D11/232, 200, 216, 1, 2, 86, 87, 201,
D11/206-210, 212-215, 218; 24/163 K,
24/122.3, 323, 702, 600.4-600.7, 163 R,
24/169-171, 173, 177-179, 191, 194,
24/195, 197, 200, 303, 616, 635, 313,
24/615, 3, 6, 3 K, 599.2, 96, 221, 237,
24/311, 312, 314, 321, 338, 339, 309;
428/3, 4; 54/76, 1, 71; 63/29.1, 3;
191/12.2 R, 12.4; D13/154, 153, 137.4,
D13/155, 103; D19/69, 67; 379/438;
446/26; 473/576; D22/140; 174/135;

439/504, 13, 501; D34/33; 188/83, 82.1,
188/65.1; 254/134.3 FT; D29/124;
D2/627, 624, 633, 625; 132/145, 146,
132/148; 2/314; 59/79.1; 340/573.3,
340/573.1, 573; 343/895; 278/8 AES;
231/7; 361/232; D14/344, 341, 137,
D14/496, 203.5, 203.3, 144
CPC A01K 15/021; A01K 15/02; A01K 15/022;
A01K 15/023; A01K 15/029; A01K
15/04; A01K 15/00; A01K 15/006; A01K
12/022; A01K 27/009; A01K 27/00;
A01K 27/001; A01K 27/006-27/008;
A01K 29/005; A01K 29/00
See application file for complete search history.

(56) **References Cited**

U.S. PATENT DOCUMENTS

- 2,064,934 A * 12/1936 Marshall A44C 5/0092
63/15
- D142,404 S * 9/1945 Greenberg 224/164
- 3,348,388 A * 10/1967 Burton A44C 5/0092
24/115 H

(Continued)

Primary Examiner — Susan Moon Lee

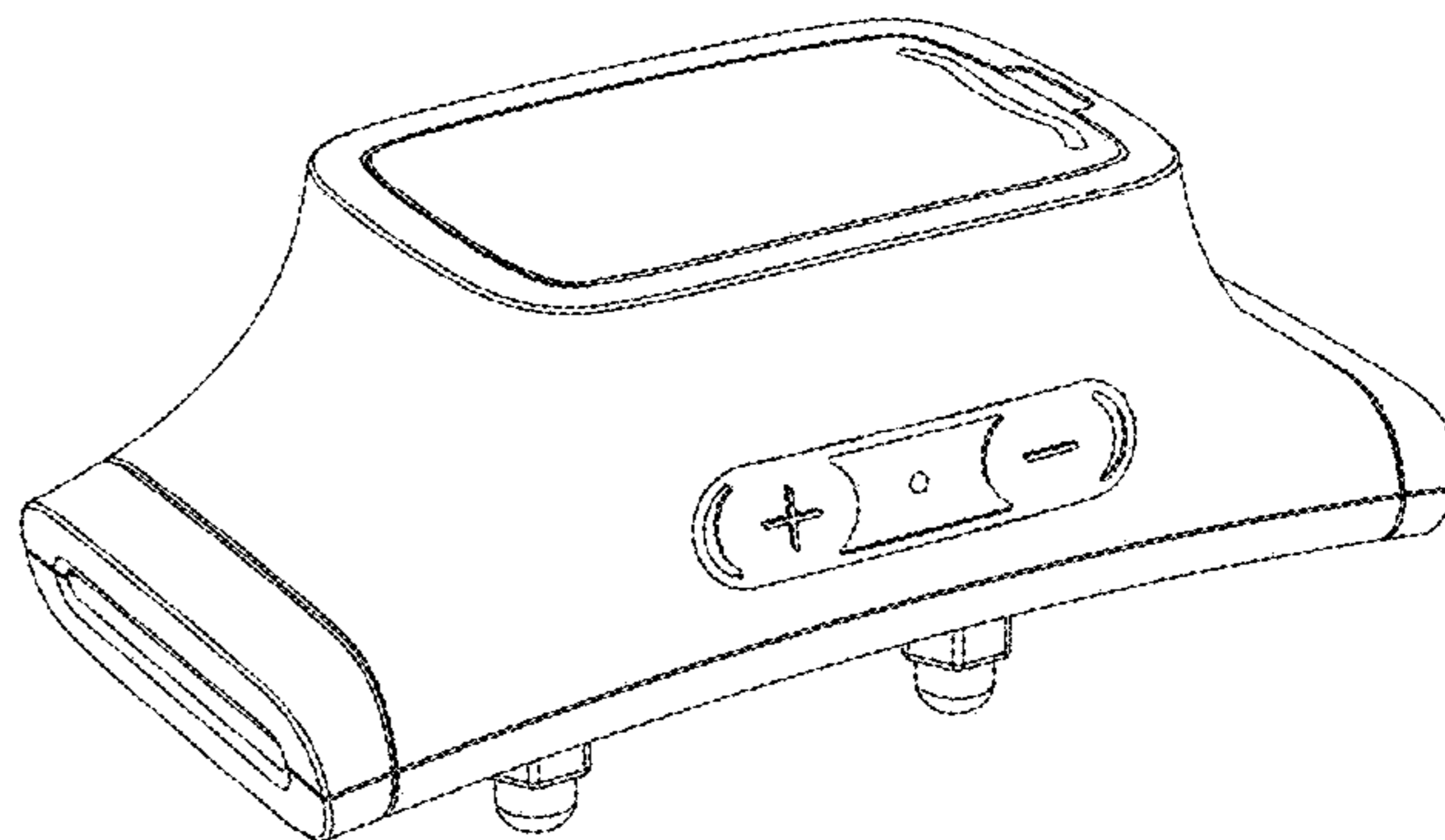
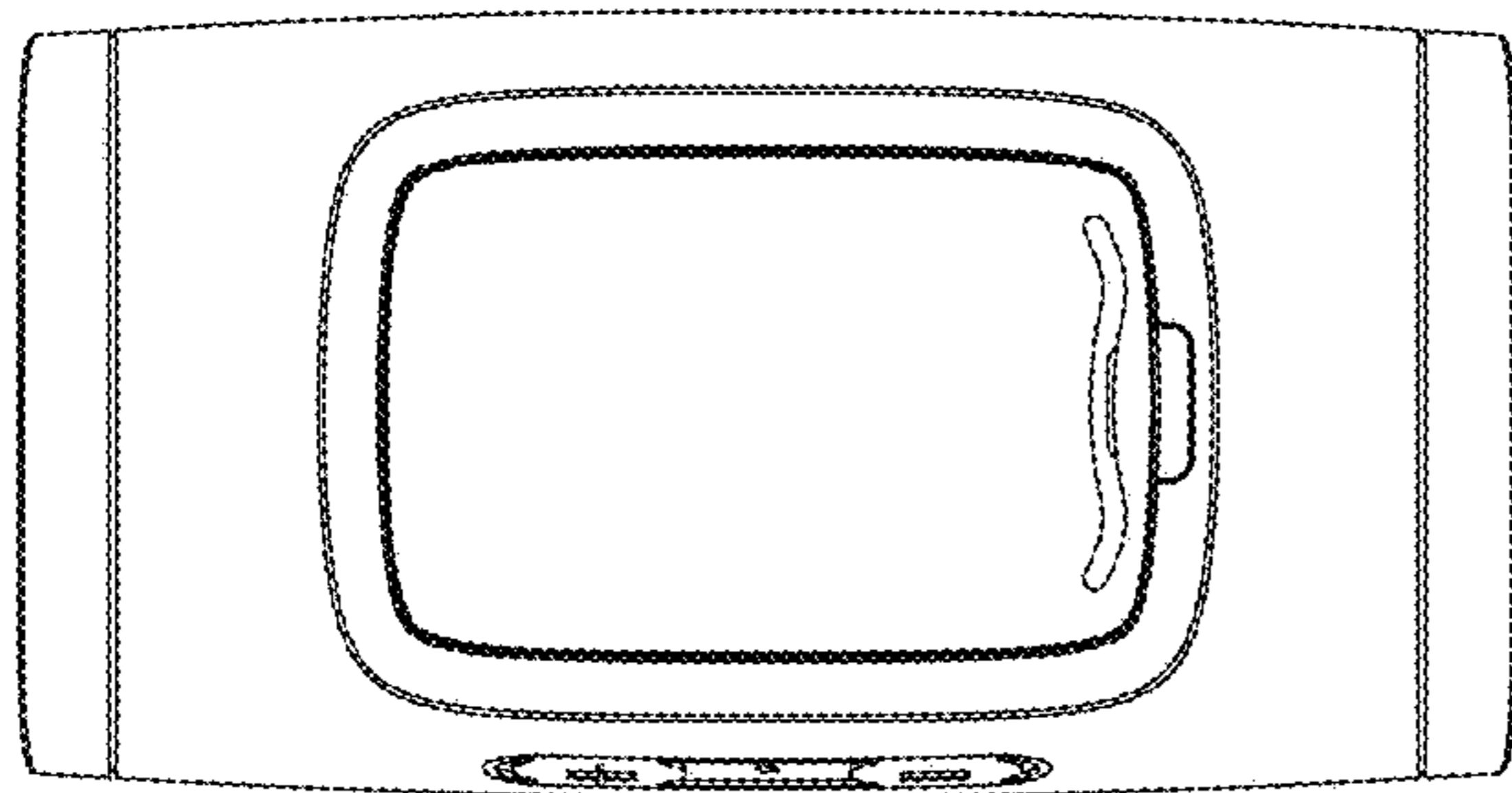
(57) **CLAIM**

The ornamental design for a bark control, as shown.

DESCRIPTION

FIG. 1 is a front elevational view of a bark control showing my new design;
FIG. 2 is a rear elevational view thereof;
FIG. 3 is a left side view thereof;
FIG. 4 is a right side view thereof;
FIG. 5 is a top plan view thereof;
FIG. 6 is a bottom plan view thereof;
FIG. 7 is a perspective view thereof; and,
FIG. 8 is another perspective view thereof.

1 Claim, 3 Drawing Sheets



(56)

References Cited

U.S. PATENT DOCUMENTS

3,592,028	A *	7/1971	La Monica	A44B 11/12 24/191	D720,249	S *	12/2014	Park	D11/3
D238,725	S *	2/1976	Zerobnick et al.	224/679	D725,510	S *	3/2015	Henning	D10/70
D254,965	S *	5/1980	Hofman	D11/3	D725,841	S *	3/2015	So	D30/152
D255,019	S *	5/1980	Hofman	D11/3	D726,052	S *	4/2015	Henning	D10/70
D256,788	S *	9/1980	Hofman	D11/3	D727,188	S *	4/2015	Sullivan	D10/70
4,409,983	A *	10/1983	Albert	A61B 5/02438 600/502	D727,759	S *	4/2015	Martinez	D10/70
4,669,424	A *	6/1987	Bianco	A01K 27/009 119/650	D729,795	S *	5/2015	Song	D14/344
4,694,284	A *	9/1987	Leveille	G08B 21/0297 340/539.1	D730,347	S *	5/2015	Jung	D14/344
D296,993	S *	8/1988	Givings	D10/18	D731,898	S *	6/2015	Squires	D10/30
5,179,733	A *	1/1993	Matsui	H01Q 1/273 368/282	D735,587	S *	8/2015	Squires	D10/32
D334,150	S *	3/1993	Cuddeback	D11/3	D736,652	S *	8/2015	Isaacs	D10/32
D347,733	S *	6/1994	Miller	224/221	D738,772	S *	9/2015	Choi	D11/3
5,434,759	A *	7/1995	Endo	G09F 13/22 362/103	D742,372	S *	11/2015	Christopher	D14/344
D379,252	S *	5/1997	McIntosh	D30/152	D742,373	S *	11/2015	Ji	D10/38
D387,898	S *	12/1997	Ronzani	D3/215	D742,817	S *	11/2015	Lammers-Meis	D13/103
5,742,256	A *	4/1998	Wakabayashi	H01Q 1/273 224/178	D742,875	S *	11/2015	Ji	D10/32
D400,458	S *	11/1998	Titus	D10/104.1	D744,869	S *	12/2015	Dallmeyer	D10/32
D418,074	S *	12/1999	Hicks	D10/104.1	D745,229	S *	12/2015	Pulliam	D30/199
D438,123	S *	2/2001	Choi	D10/30	D745,513	S *	12/2015	Jung	D14/344
6,232,880	B1 *	5/2001	Anderson	A01K 15/023 119/421	D746,477	S *	12/2015	Cha	D24/186
D455,969	S *	4/2002	Wilson	D10/30	D747,566	S *	1/2016	Pulliam	D30/199
D456,284	S *	4/2002	Wilson	D10/30	D747,714	S *	1/2016	Erbeus	D10/32
D456,724	S *	5/2002	Wilson	D10/30	D748,350	S *	1/2016	Pulliam	D30/199
D464,576	S *	10/2002	Nussbaum	D10/32	D750,521	S *	3/2016	Poesel	D10/104.1
D491,474	S *	6/2004	Wong	D10/32	D750,623	S *	3/2016	Park	D10/38
6,830,012	B1 *	12/2004	Swan	A01K 27/009 119/720	D751,068	S *	3/2016	Erbeus	D10/38
D511,978	S *	11/2005	Wilson	D10/30	D751,069	S *	3/2016	Choi	D10/32
D512,921	S *	12/2005	Wilson	D10/30	D751,210	S *	3/2016	Thomas	D24/186
D513,997	S *	1/2006	Wilson	D10/30	D752,042	S *	3/2016	Fujita	D10/38
6,992,582	B2 *	1/2006	Hill	G07C 9/00111 340/539.13	D752,043	S *	3/2016	Ji	D10/38
D522,187	S *	5/2006	Nottingham	D30/152	D752,046	S *	3/2016	Jun	D14/344
D535,205	S *	1/2007	Frederick	D10/104.1	D752,578	S *	3/2016	Ji	D14/344
D542,157	S *	5/2007	Lafever	D10/32	D752,581	S *	3/2016	Jung	D14/344
D553,512	S *	10/2007	Tang	D10/32	9,277,734	B1 *	3/2016	Paradis	A01K 27/009
D556,194	S *	11/2007	Rambosek	D11/2	D755,177	S *	5/2016	Jung	D14/344
D558,761	S *	1/2008	Viduya	D14/356	D757,721	S *	5/2016	Dallmeyer	D14/344
D564,367	S *	3/2008	Molyneux	D10/31	D759,324	S *	6/2016	Pulliam	D30/199
D564,368	S *	3/2008	Molyneux	D10/31	D759,516	S *	6/2016	Ling	D10/30
D564,369	S *	3/2008	Molyneux	D10/31	D759,622	S *	6/2016	Dahlberg	D10/32
D568,768	S *	5/2008	Tang	D10/30	D761,499	S *	7/2016	Pulliam	D30/199
D571,684	S *	6/2008	Kim	D11/2	D762,333	S *	7/2016	Pulliam	D30/199
D583,815	S *	12/2008	Giovannoni	D11/3	D762,375	S *	8/2016	Duarte	D11/5
D589,374	S *	3/2009	Tang	D10/32	D762,641	S *	8/2016	Lee	D14/344
7,705,736	B1 *	4/2010	Kedziora	A01K 11/008 340/573.3	D766,234	S *	9/2016	Francis	D11/4
D621,726	S *	8/2010	Lattmann	D10/38	D766,758	S *	9/2016	Park	D10/70
D632,853	S *	2/2011	Hardi	D30/144	D767,769	S *	9/2016	Suvilaakso	D24/186
D636,686	S *	4/2011	Cobbett	D10/38	9,449,487	B1 *	9/2016	Spitalny	A01K 15/023
7,992,525	B1 *	8/2011	Fisher	A01K 15/02 119/860	D770,443	S *	11/2016	Francis	D14/341
D645,774	S *	9/2011	Chowdhary	D11/3	D771,511	S *	11/2016	Poesel	D10/104.1
D659,304	S *	5/2012	Vatka	D30/155	D772,228	S *	11/2016	Jung	D14/344
8,296,983	B2 *	10/2012	Padgett	A44C 5/0015 40/633	D773,459	S *	12/2016	Jun	D14/344
D674,808	S *	1/2013	Axelrod	D11/3	D780,602	S *	3/2017	Heleniak	D10/38
D687,736	S *	8/2013	Wycoff	D11/3	D788,999	S *	6/2017	Zinn	D30/152
D699,758	S *	2/2014	Lavin	D14/496	D794,261	S *	8/2017	Pulliam	D30/152
D701,504	S *	3/2014	Christopher	D14/344	2001/0035134	A1 *	11/2001	Stapelfeld	A01K 15/023 119/720
D703,069	S *	4/2014	Adams	D10/31	2003/0169207	A1 *	9/2003	Beigel	G06K 19/07762 343/718
D706,159	S *	6/2014	Ma	D11/3	2004/0162875	A1 *	8/2004	Brown	G08B 21/0283 709/203
D708,797	S *	7/2014	MacDonald	D30/199	2005/0242137	A1 *	11/2005	Fishman	A01K 11/00 224/221
D709,047	S *	7/2014	Jennings	D14/167	2005/0277855	A1 *	12/2005	Tanaka	A01K 15/022 601/46
D715,675	S *	10/2014	Ma	D11/3	2006/0191494	A1 *	8/2006	Nottingham	A01K 15/021 119/859
D720,074	S *	12/2014	Suvilaakso	D24/167	2007/0221138	A1 *	9/2007	Mainini	A01K 27/009 119/720
					2008/0061990	A1 *	3/2008	Milnes	A01K 15/023 340/573.1
					2008/0207039	A1 *	8/2008	Moore	G02B 6/4201 439/346
					2010/0231391	A1 *	9/2010	Dror	G01D 1/00 340/573.3
					2012/0122519	A1 *	5/2012	Jochheim	H04B 1/385 455/556.1
					2012/0247397	A1 *	10/2012	Lvovskiy	A01K 15/021 119/720

(56)

References Cited

U.S. PATENT DOCUMENTS

2013/0008391 A1* 1/2013 Berntsen A01K 15/04
119/721
2013/0027207 A1* 1/2013 Goetzl A01K 11/008
340/573.3
2013/0211204 A1* 8/2013 Caduff A45F 3/14
600/300
2013/0265165 A1* 10/2013 So A01K 15/021
340/573.3
2014/0196673 A1* 7/2014 Menkes A01K 27/009
119/859
2014/0261233 A1* 9/2014 So A01K 15/021
119/720
2015/0040839 A1* 2/2015 Goetzl A01K 15/023
119/720
2015/0250143 A1* 9/2015 Klossner A01K 27/009
119/719

* cited by examiner

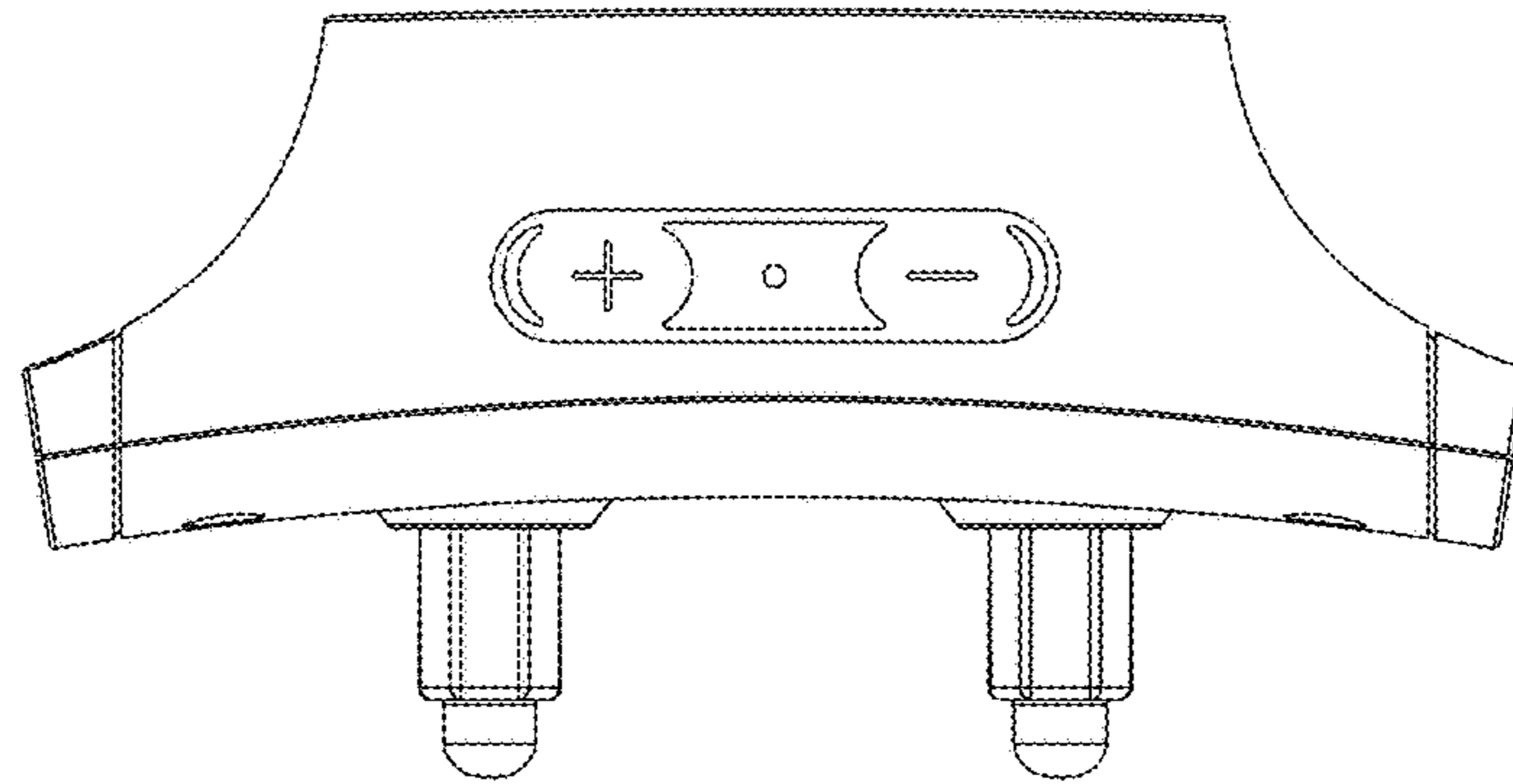


FIG. 1

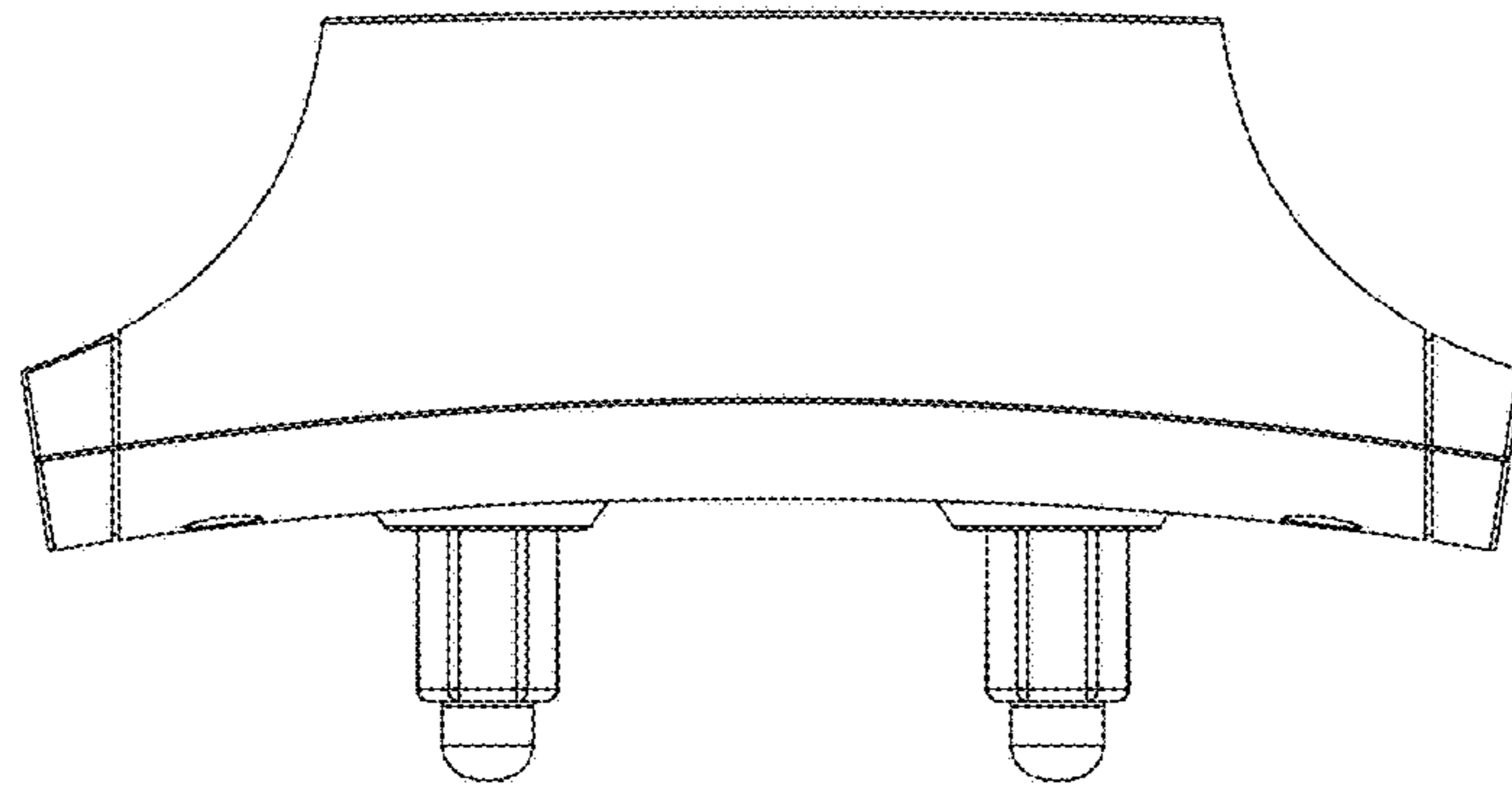


FIG. 2

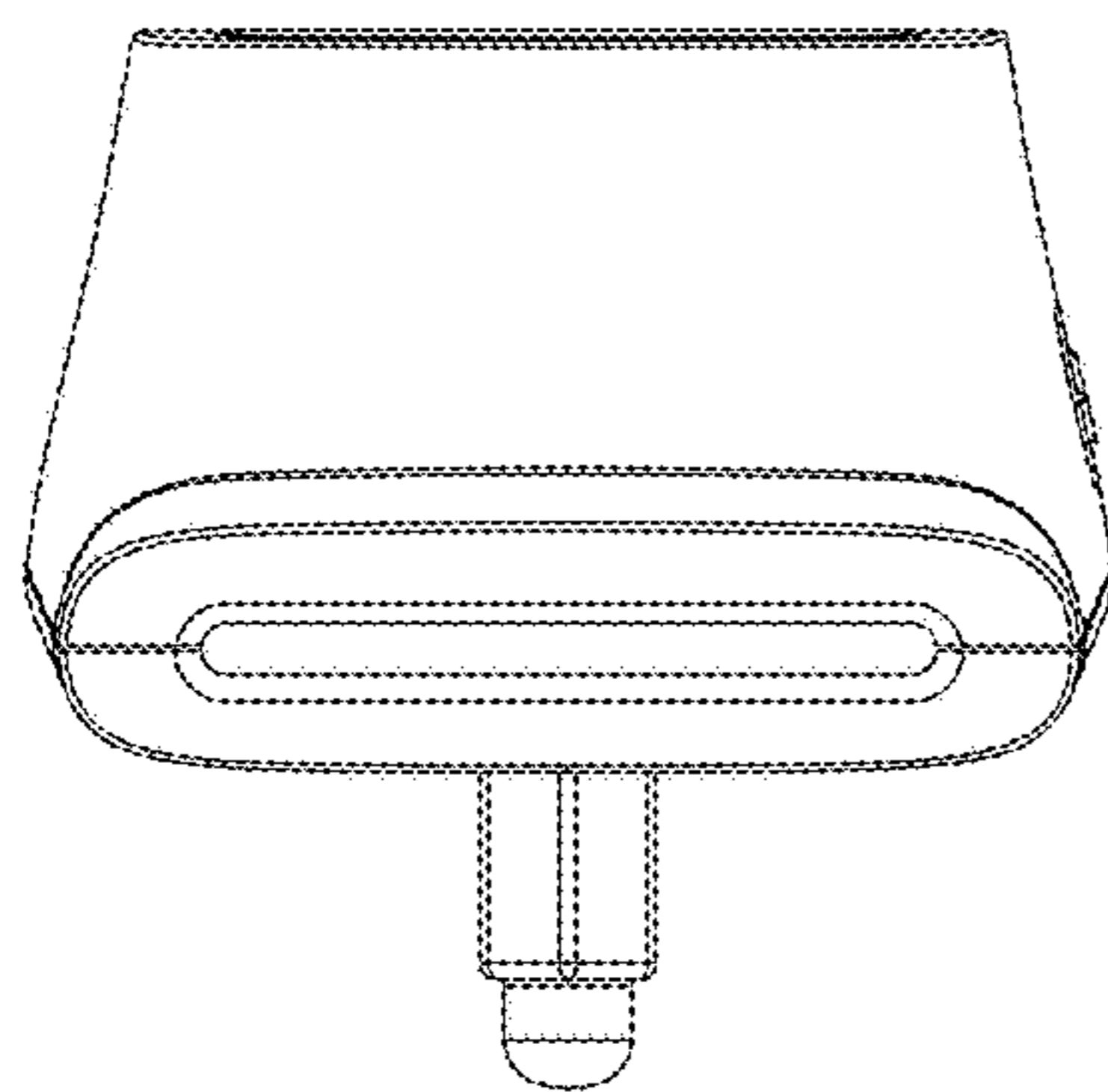


FIG. 3

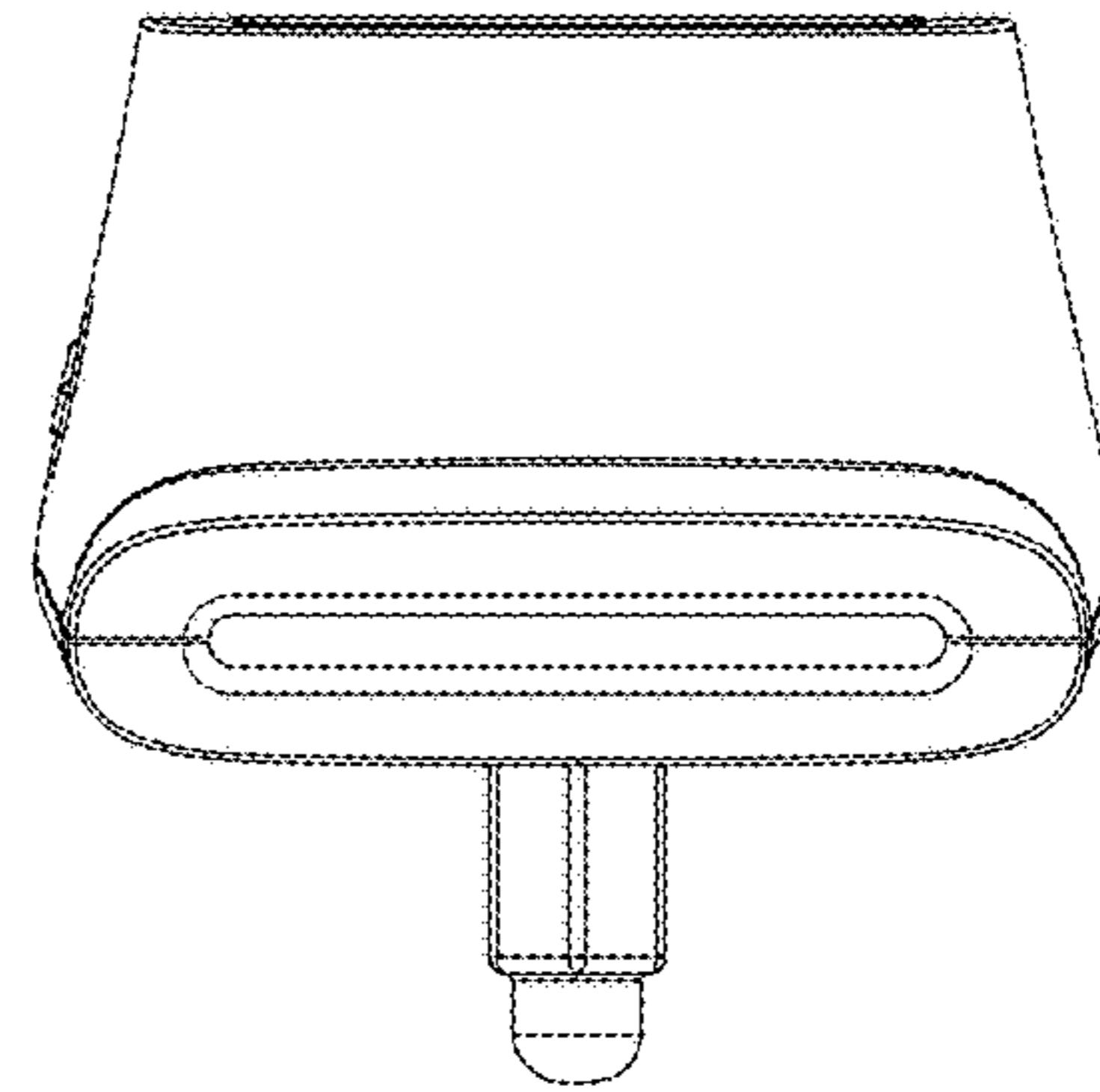


FIG. 4

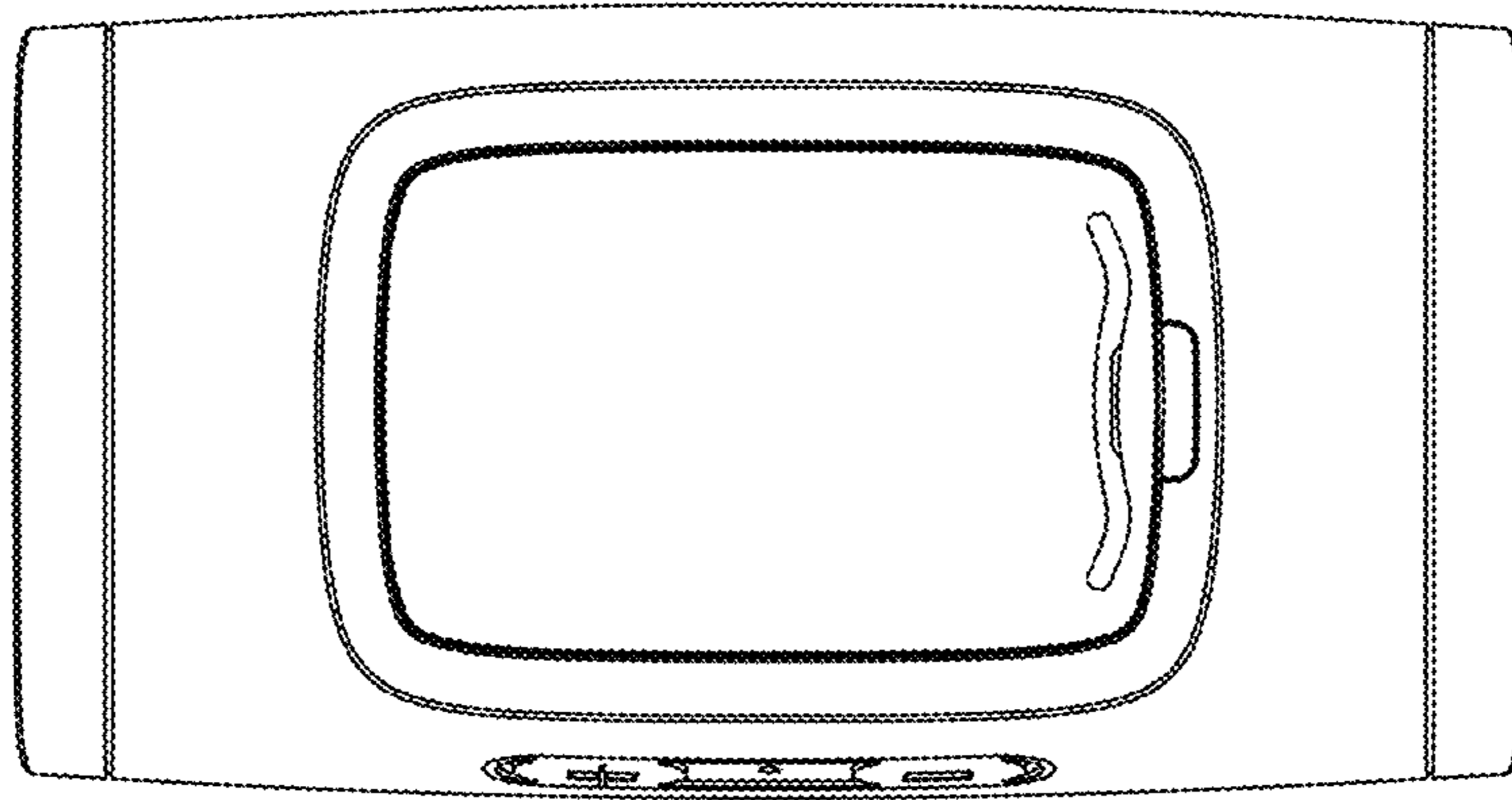


FIG. 5

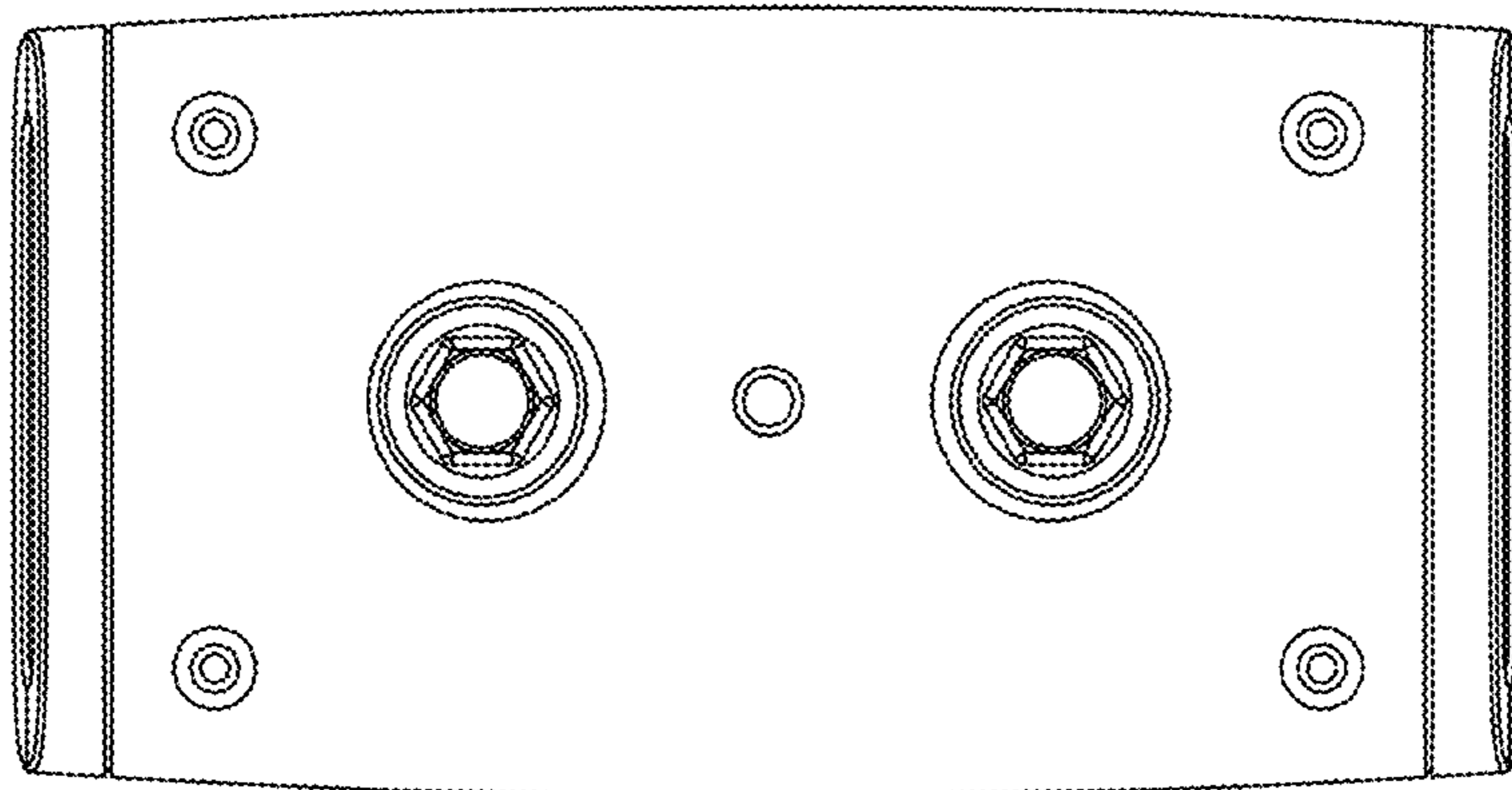


FIG. 6

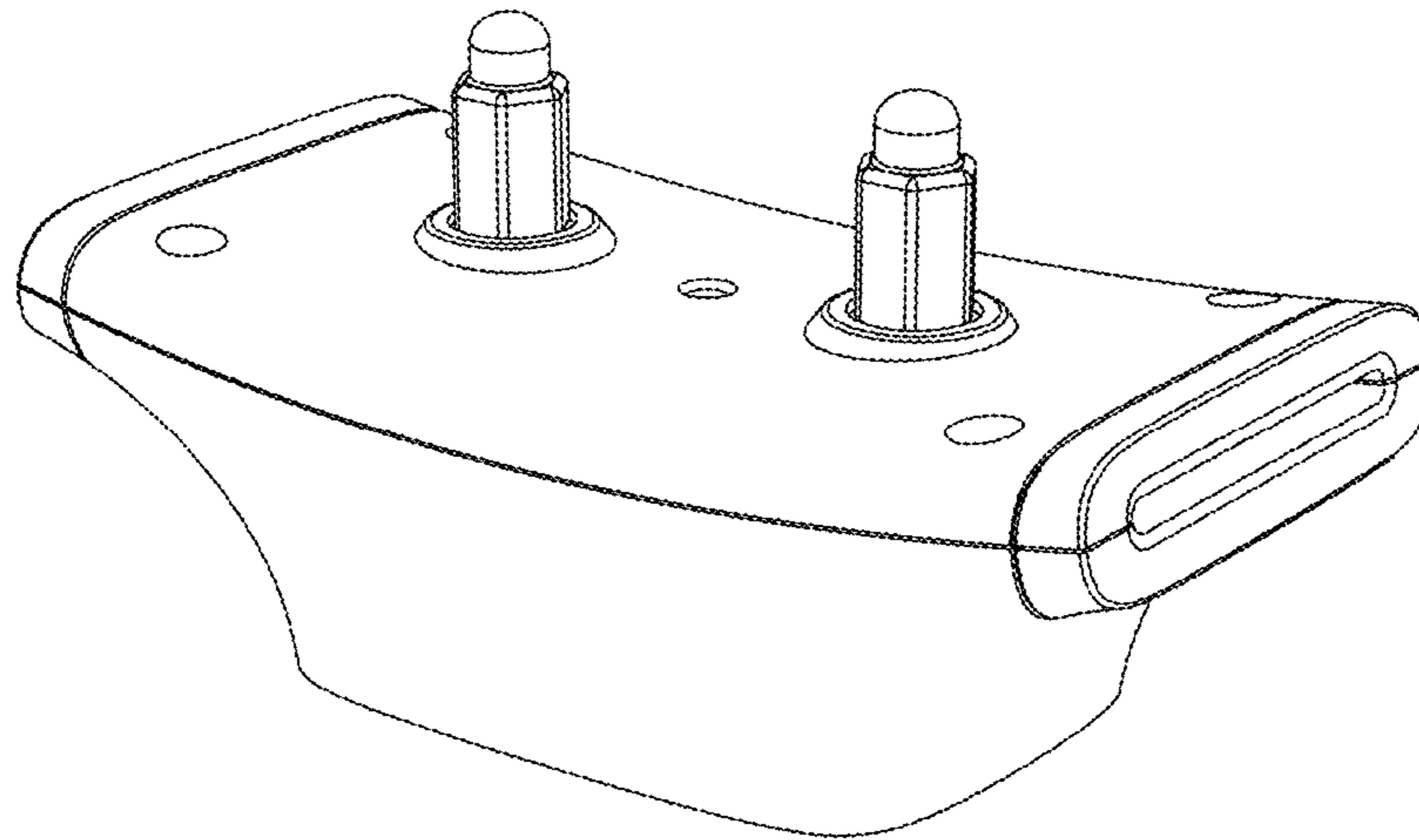


FIG. 7

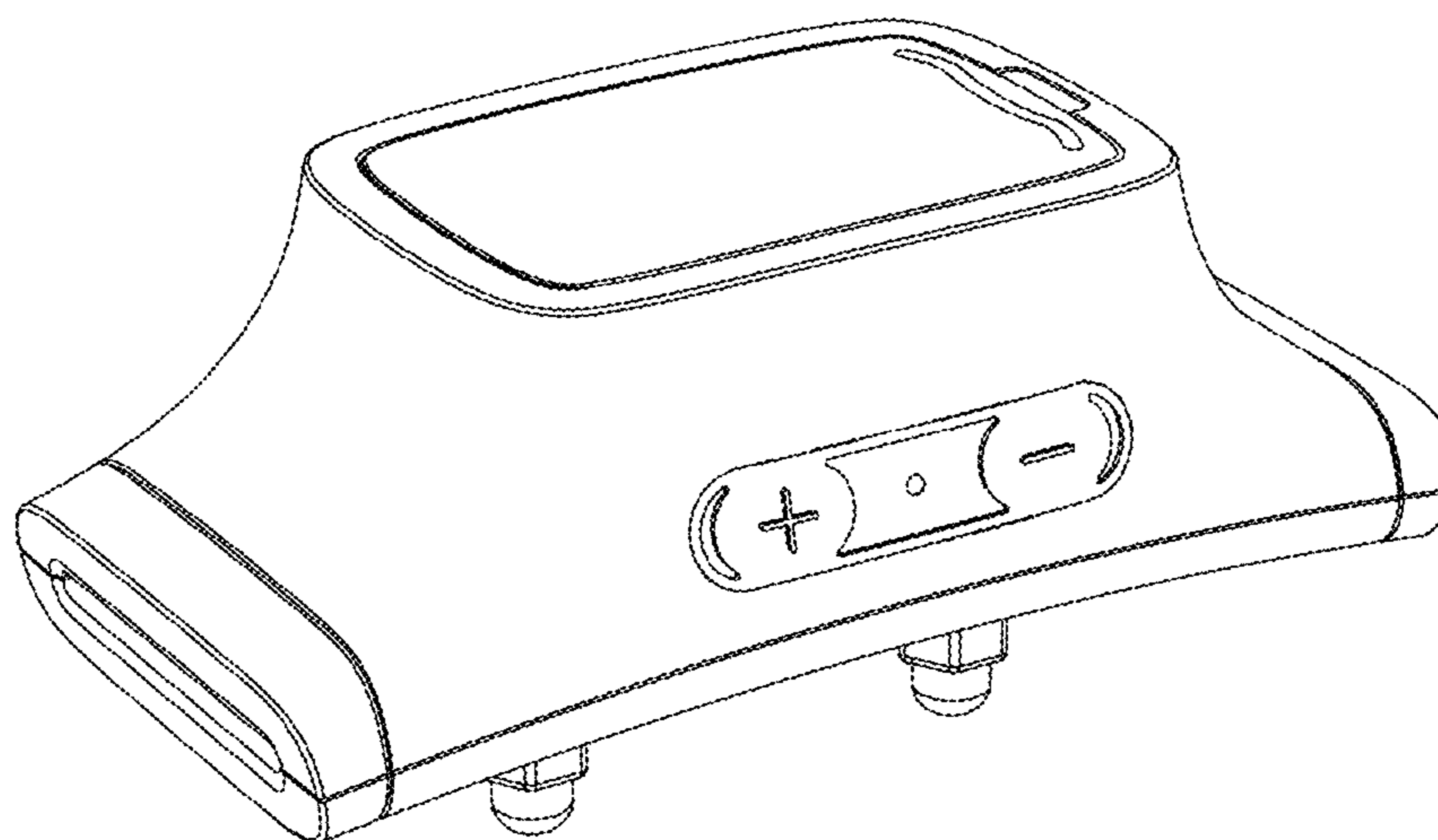


FIG. 8