



US00D828963S

(12) **United States Design Patent**  
**Hansen**

(10) **Patent No.:** **US D828,963 S**

(45) **Date of Patent:** **\*\* Sep. 18, 2018**

- (54) **PET RESTING ENCLOSURE**
- (71) Applicant: **Ingmar Hansen**, Roswell, GA (US)
- (72) Inventor: **Ingmar Hansen**, Roswell, GA (US)
- (\*\*) Term: **15 Years**
- (21) Appl. No.: **29/641,481**
- (22) Filed: **Mar. 22, 2018**

- 4,821,353 A \* 4/1989 Neri ..... A47G 9/062  
D30/118
- D308,121 S \* 5/1990 Overturf ..... D30/118
- D314,644 S \* 2/1991 Kosharek ..... D30/118
- 5,000,116 A \* 3/1991 Fife ..... A01K 1/0353  
119/28.5
- D362,363 S \* 9/1995 Friedman ..... D6/595
- D368,335 S \* 3/1996 St. John ..... D30/118
- D374,512 S \* 10/1996 Kiley ..... D30/118
- 5,823,217 A \* 10/1998 Rice ..... E04H 15/003  
D21/837
- D400,949 S \* 11/1998 Gale ..... D21/834
- D412,354 S \* 7/1999 Takos ..... D30/118

(Continued)

(30) **Foreign Application Priority Data**

Oct. 23, 2017 (DE) ..... 40 2017 101 147

- (51) **LOC (11) Cl.** ..... **30-06**
- (52) **U.S. Cl.**  
USPC ..... **D30/118; D6/715.2**
- (58) **Field of Classification Search**  
USPC ..... D30/118; D3/5; D6/595-596, 601, 604,  
D6/715.2; D21/803, 809, 837  
See application file for complete search history.

(56) **References Cited**

**U.S. PATENT DOCUMENTS**

- 1,887,108 A \* 11/1932 Steese ..... A01K 1/0353  
D30/118
- 2,109,881 A \* 3/1938 Goldberg ..... A47G 9/062  
D30/118
- 2,190,566 A \* 2/1940 Julian ..... A47G 9/062  
D30/118
- 2,932,833 A \* 4/1960 Wambach ..... A47G 9/1045  
135/133
- 3,075,536 A \* 1/1963 Parker ..... E04H 15/003  
D21/837
- D232,850 S \* 9/1974 Bloyd ..... D30/118
- D239,633 S \* 4/1976 Henry ..... D30/118
- 4,063,318 A \* 12/1977 Nicholson ..... A47G 9/1045  
D30/118
- D287,041 S \* 12/1986 Gitchel ..... D21/837
- D294,752 S \* 3/1988 Palier ..... D30/118

**OTHER PUBLICATIONS**

<https://shadyface.com/shadypaws>; Pet Sunshade. Copyright 2018.\*  
<http://www.therefinedorcanine.com/outdoor-dog-chaise-lounger.html>, copyright 2012.

*Primary Examiner* — Cathy Anne MacCormac  
(74) *Attorney, Agent, or Firm* — Mitchell Law PLLC;  
Matthew W. Mitchell

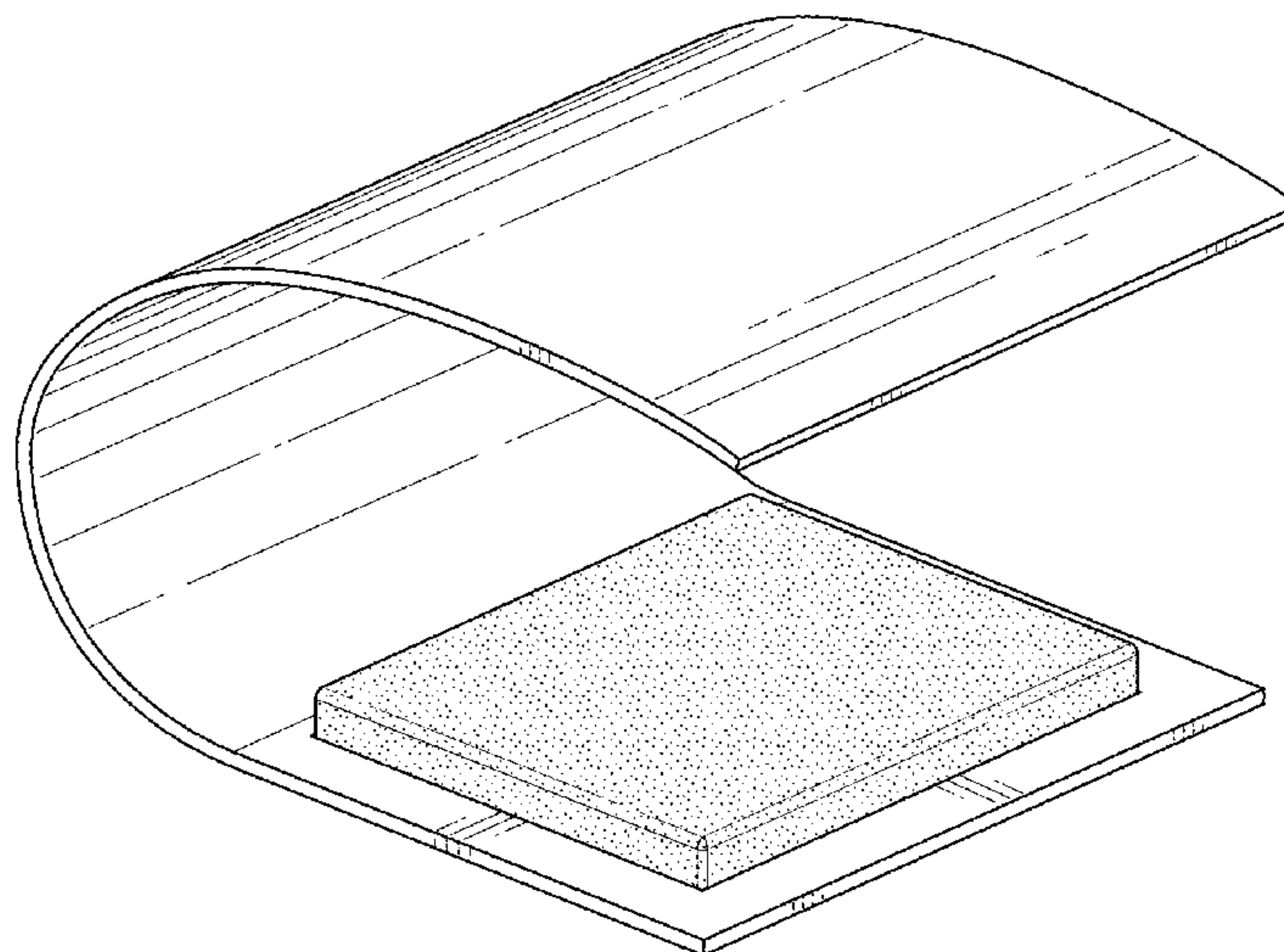
(57) **CLAIM**

The ornamental design for a pet resting enclosure, as shown and described.

**DESCRIPTION**

FIG. 1 is a front isometric view of the pet resting enclosure of the present invention;  
FIG. 2 is a front view thereof;  
FIG. 3 is a rear view thereof;  
FIG. 4 is a left side view thereof;  
FIG. 5 is a right side view thereof;  
FIG. 6 is a top plan view thereof; and,  
FIG. 7 is a bottom plan view thereof.  
The use of stippling represents surfaces having the contrast in appearance shown.

**1 Claim, 7 Drawing Sheets**



(56)

**References Cited**

U.S. PATENT DOCUMENTS

D529,979 S \* 10/2006 Peterson ..... D21/809  
D531,250 S \* 10/2006 Peterson ..... D21/809  
D535,717 S \* 1/2007 Peterson ..... D21/803  
7,347,217 B2 \* 3/2008 Bree ..... A47G 9/1045  
135/117  
D598,229 S \* 8/2009 Allen ..... D6/596  
D699,900 S 2/2014 Popkin et al.  
D746,613 S \* 1/2016 DeRosa ..... D6/601  
9,295,222 B2 \* 3/2016 Martinez ..... E06B 7/28  
D792,031 S 7/2017 Geldermann

\* cited by examiner

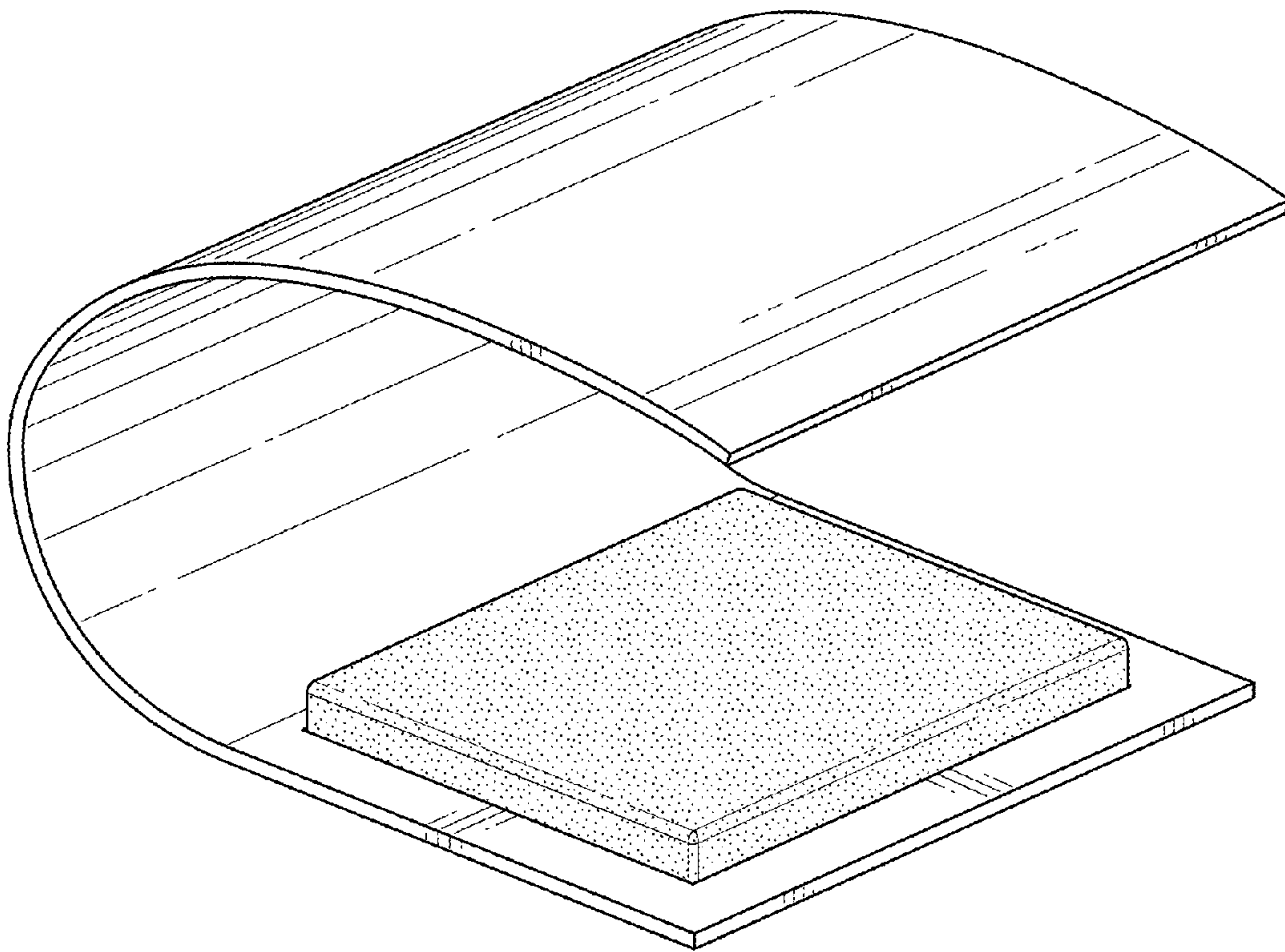


FIG. 1

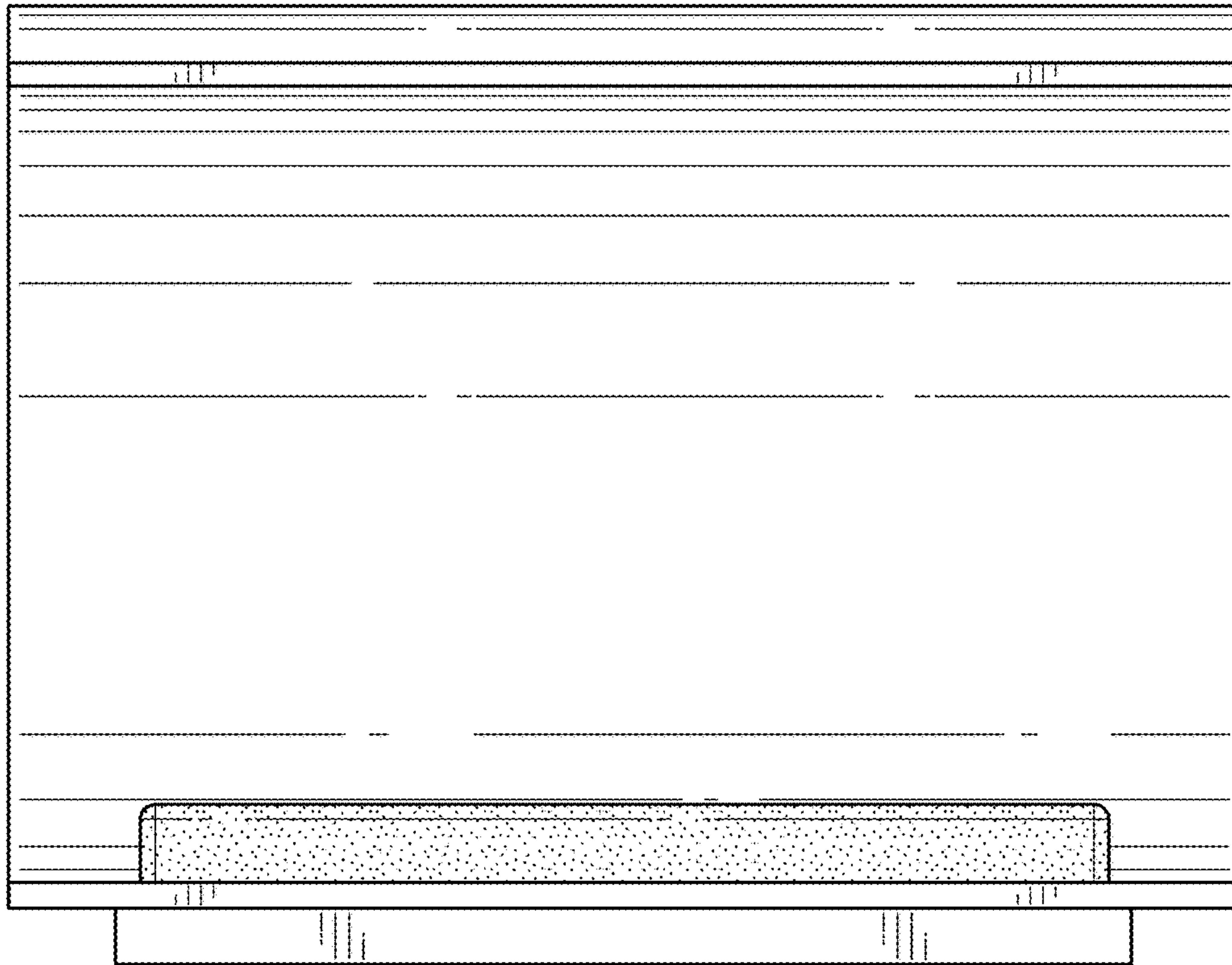


FIG. 2

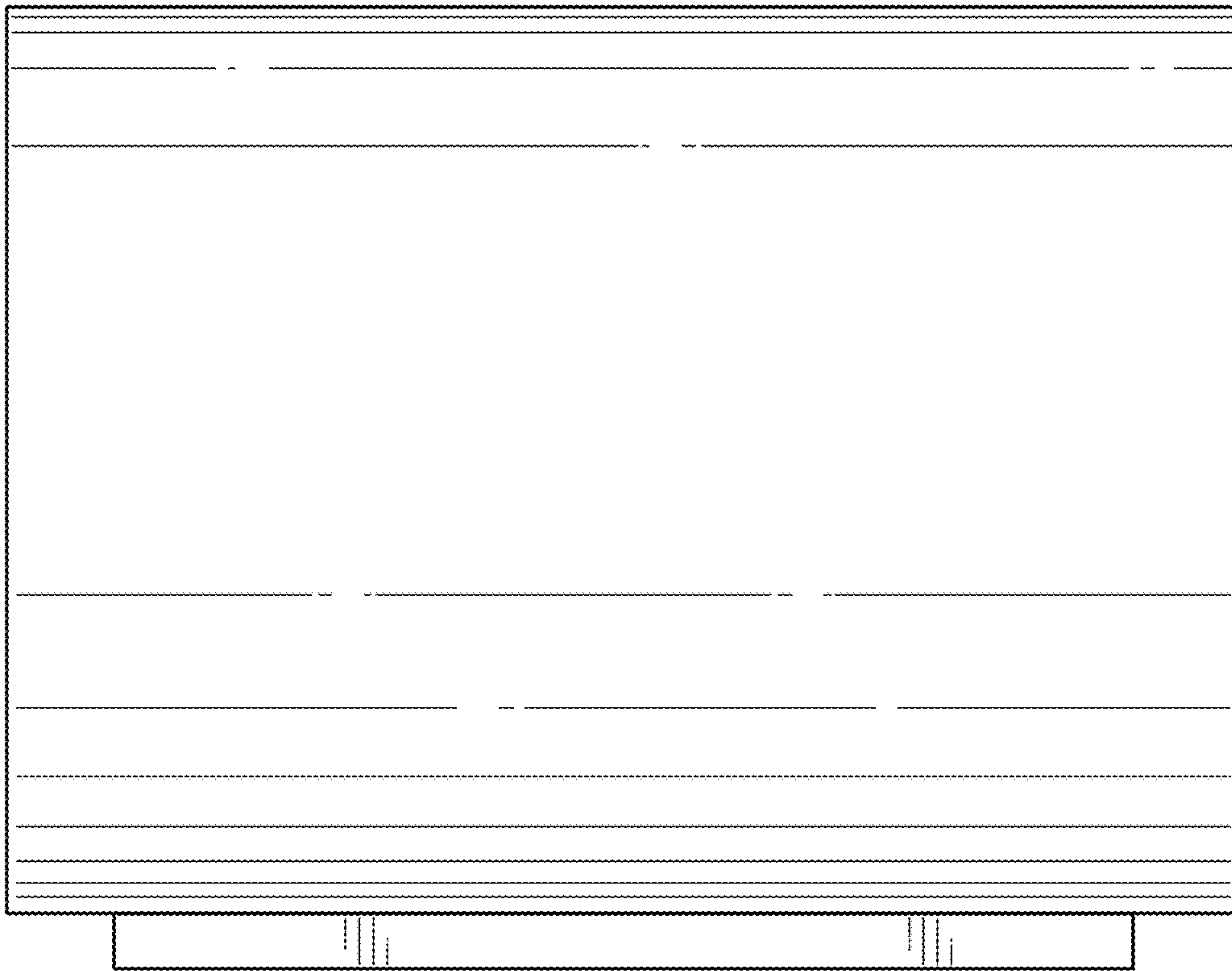


FIG. 3

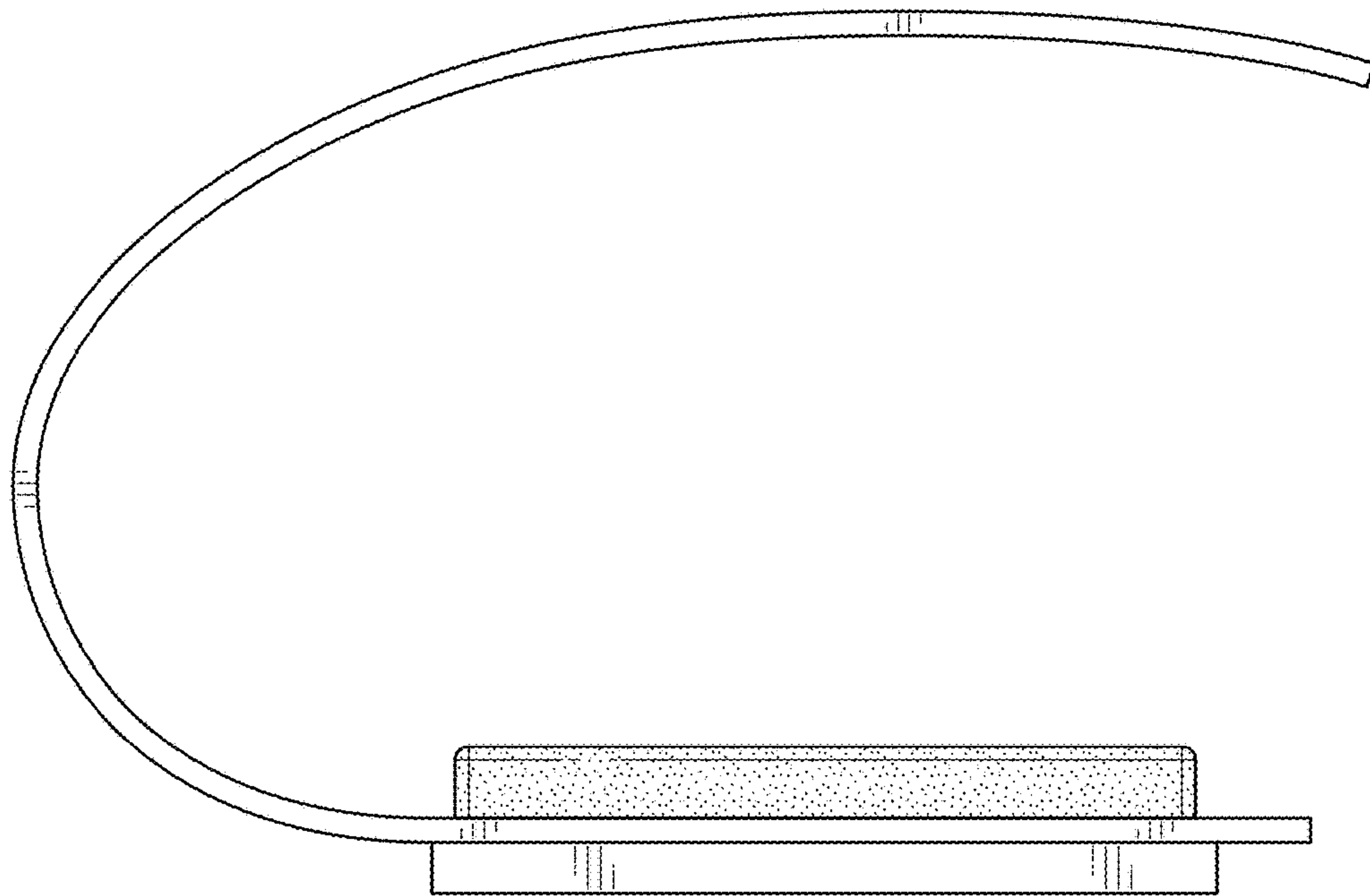


FIG. 4



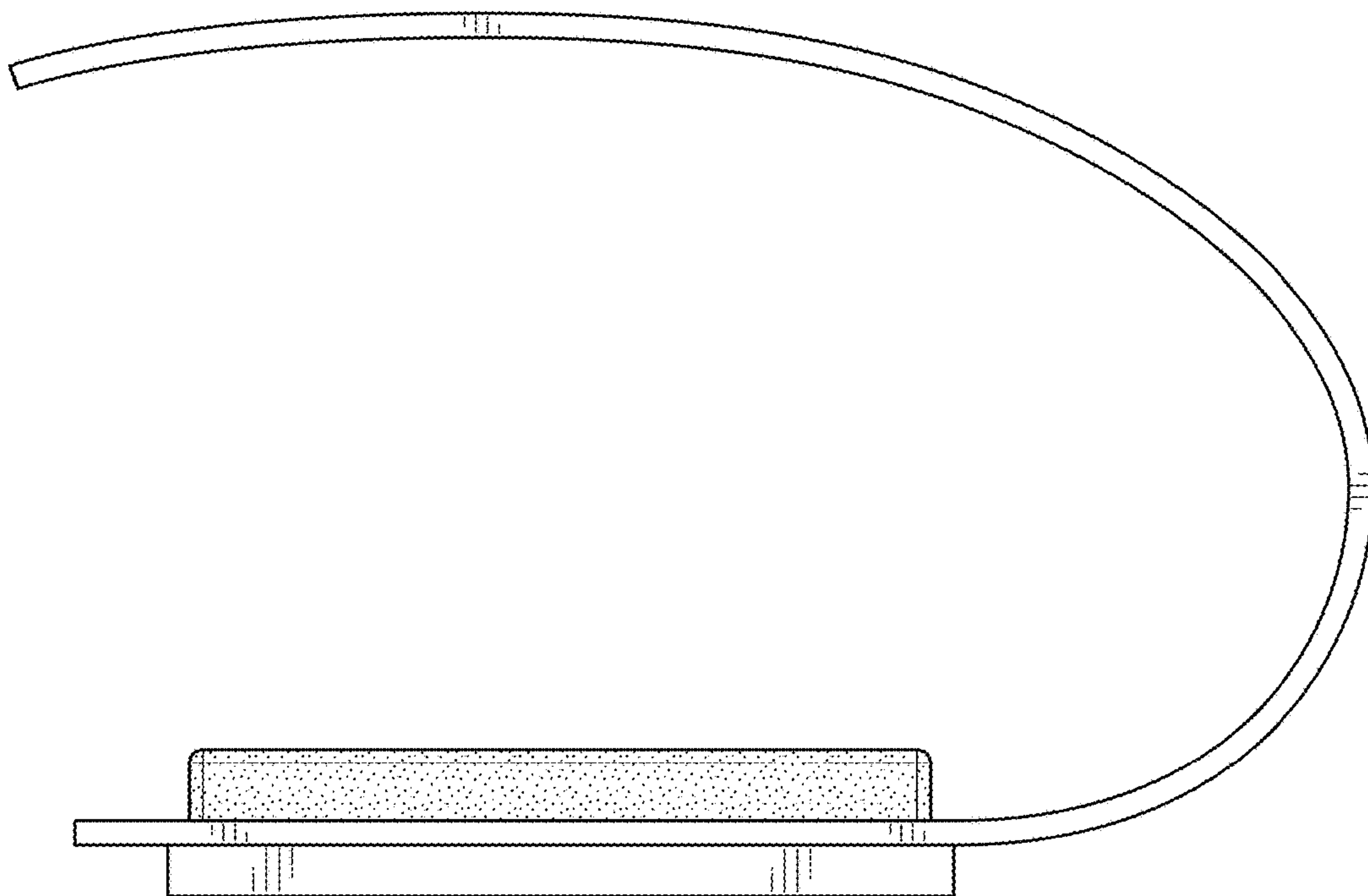


FIG. 5

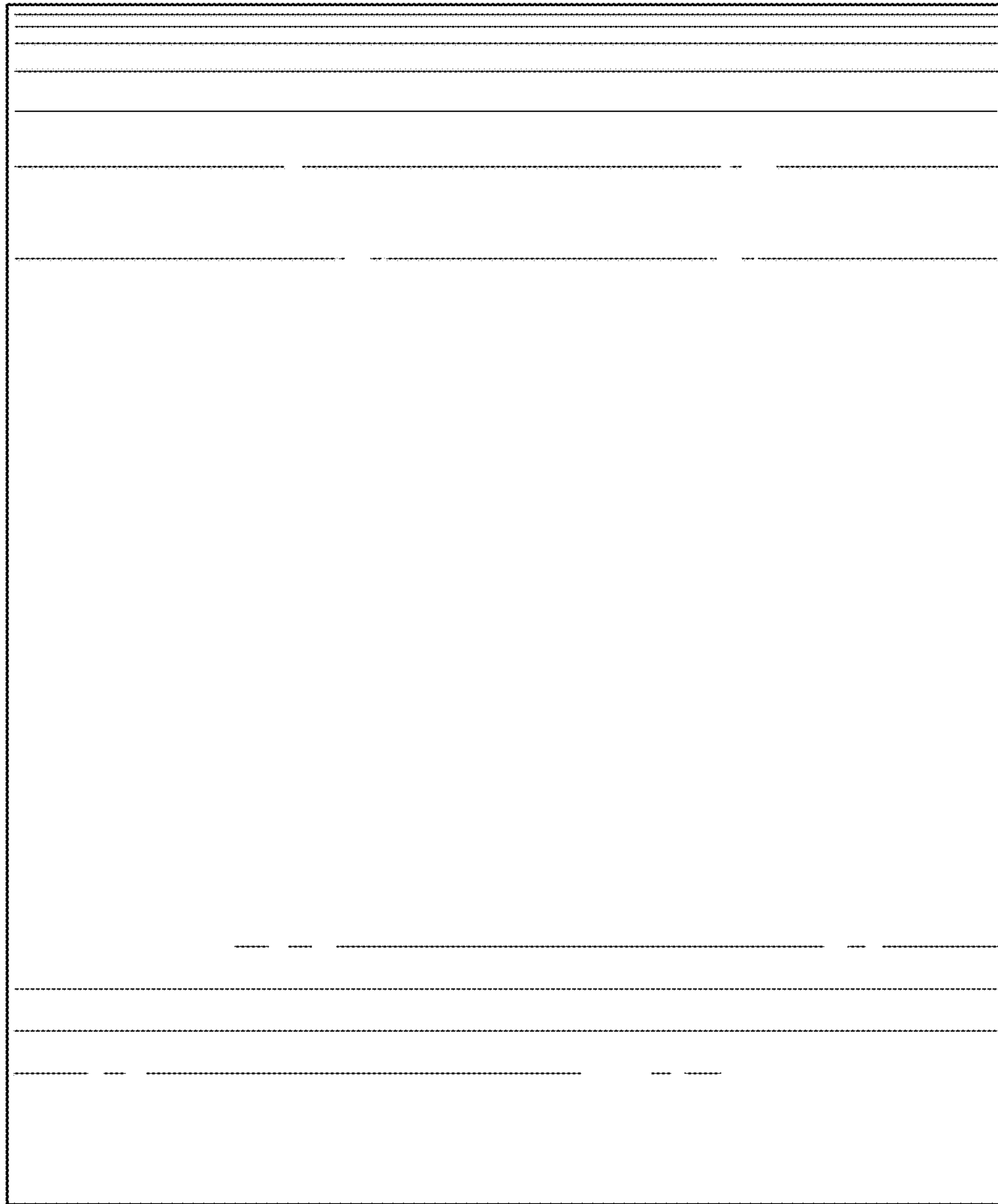


FIG. 6



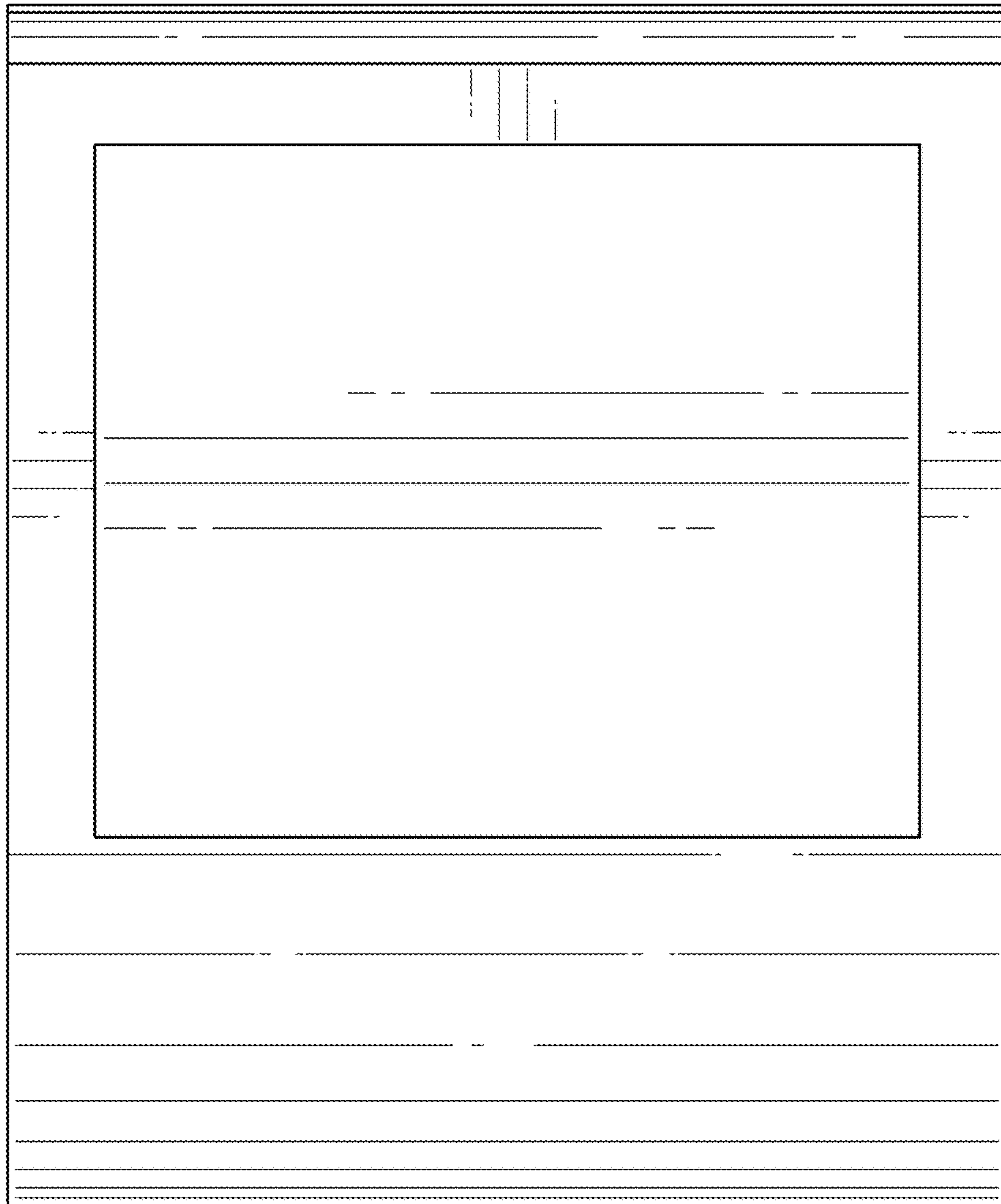


FIG. 7