



US00D828960S

(12) **United States Design Patent**
Shugar

(10) **Patent No.:** **US D828,960 S**

(45) **Date of Patent:** **** Sep. 18, 2018**

(54) **BAMBOO LIP BALM CONTAINER**

(71) Applicant: **Ronnie Shugar**, Sherman Oaks, CA
(US)

(72) Inventor: **Ronnie Shugar**, Sherman Oaks, CA
(US)

(**) Term: **15 Years**

(21) Appl. No.: **29/599,495**

(22) Filed: **Apr. 4, 2017**

(51) **LOC (11) Cl.** **28-03**

(52) **U.S. Cl.**
USPC **D28/85**

(58) **Field of Classification Search**
USPC ... D28/4, 76, 77, 82, 83, 85, 86, 87, 88, 89,
D28/90; D9/434, 399, 503, 504,
D9/723-725, 900, 529, 556, 727, 745;
D19/162, 66
CPC A45D 40/00; A45D 40/02-40/10; A45D
33/00; A45D 33/14; A45D 34/06; A45D
34/041; A45D 34/04; A45D 40/18; A45D
40/26; A45D 40/262; A45D 2200/053
See application file for complete search history.

(56) **References Cited**

U.S. PATENT DOCUMENTS

1,257,775 A * 2/1918 Wolf A45D 34/06
401/18
D445,961 S * 7/2001 Motosko D28/77
D491,810 S * 6/2004 Kostow D28/7
D506,392 S * 6/2005 Dedancourt D28/85

D517,243 S * 3/2006 Martinez D28/76
D565,797 S * 4/2008 Maddy D28/88
D639,166 S * 6/2011 Carreno D9/504
D659,908 S * 5/2012 Lin D28/76
8,206,542 B2 * 6/2012 Van Houten B27J 1/003
144/333
D688,042 S * 8/2013 King D3/276
D733,967 S * 7/2015 Schlatter D28/85
D748,865 S * 2/2016 Hall D28/85
D777,985 S * 1/2017 Schlatter D28/85
D799,755 S * 10/2017 Chertoff D28/89
2001/0047951 A1 * 12/2001 O'Connor A45D 34/04
206/575

* cited by examiner

Primary Examiner — Jennifer Rivard

Assistant Examiner — Alison M Ofstun

(74) *Attorney, Agent, or Firm* — Robert Lauson, Esq.;
Lauson & Tarver LLP

(57) **CLAIM**

The ornamental design for a bamboo lip balm container, as shown and described.

DESCRIPTION

FIG. 1 is a perspective view of the bamboo lip balm container.

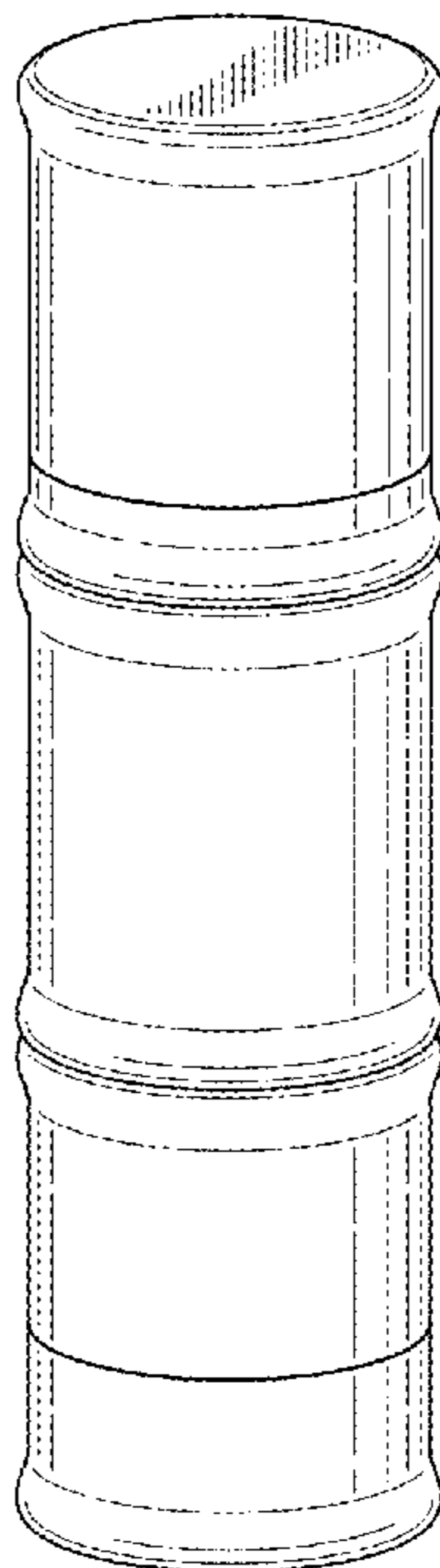
FIG. 2 is a front view thereof, the rear view being a mirror image.

FIG. 3 is a top view thereof, the bottom view being a mirror image; and,

FIG. 4 is an exploded perspective view showing the bamboo lip balm container with the cap removed.

The broken lines in the drawings represent portions of the article which form no part of the claimed design.

1 Claim, 1 Drawing Sheet



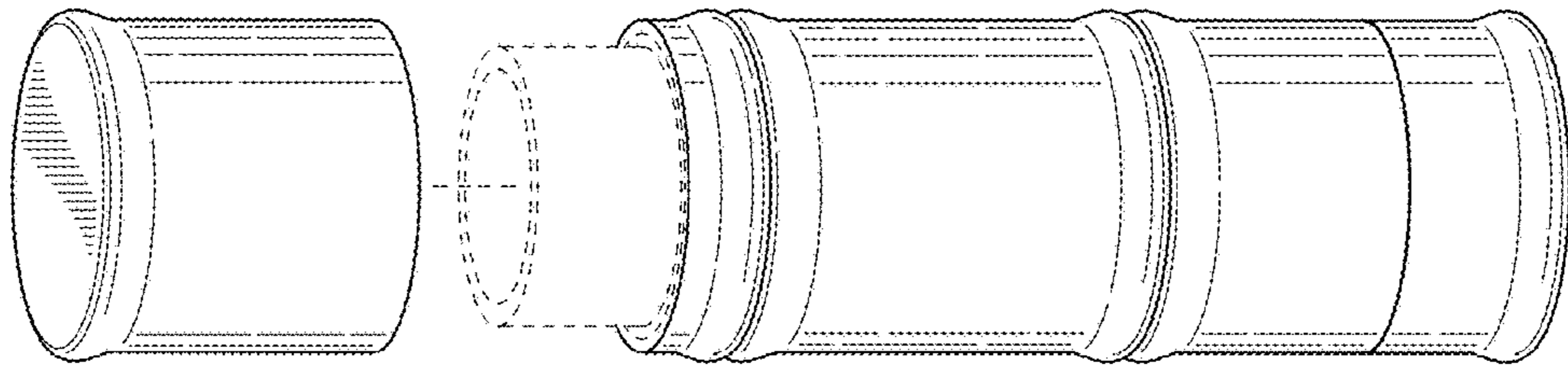


FIG. 1

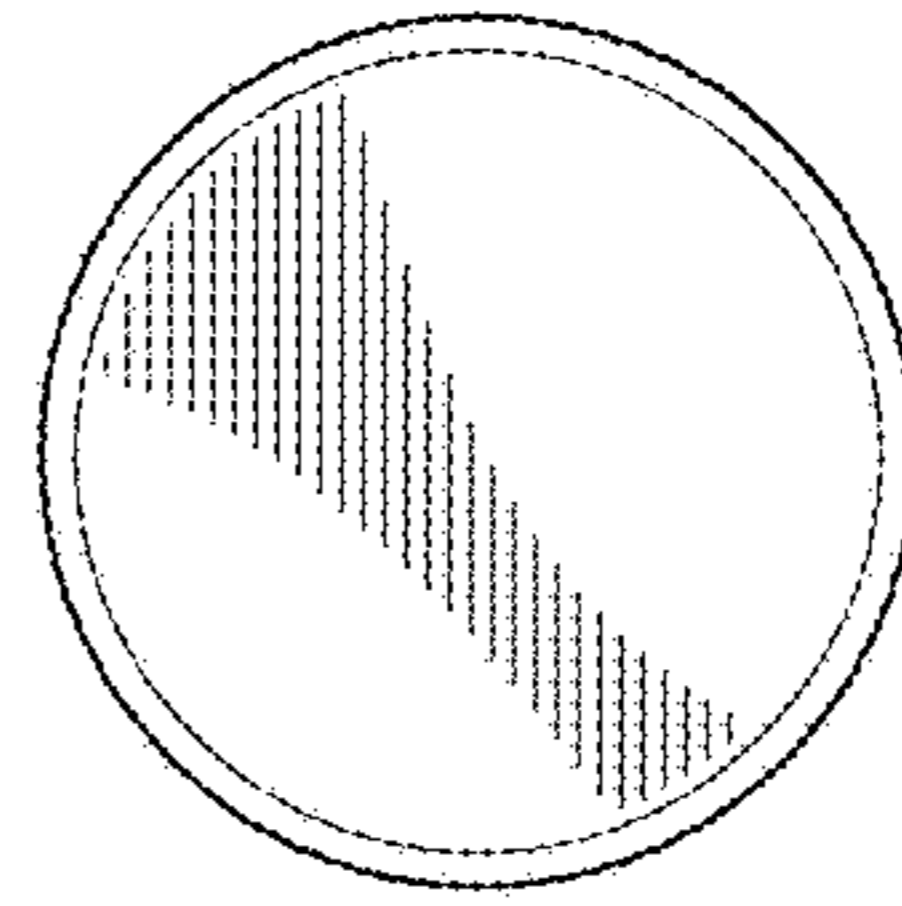


FIG. 2

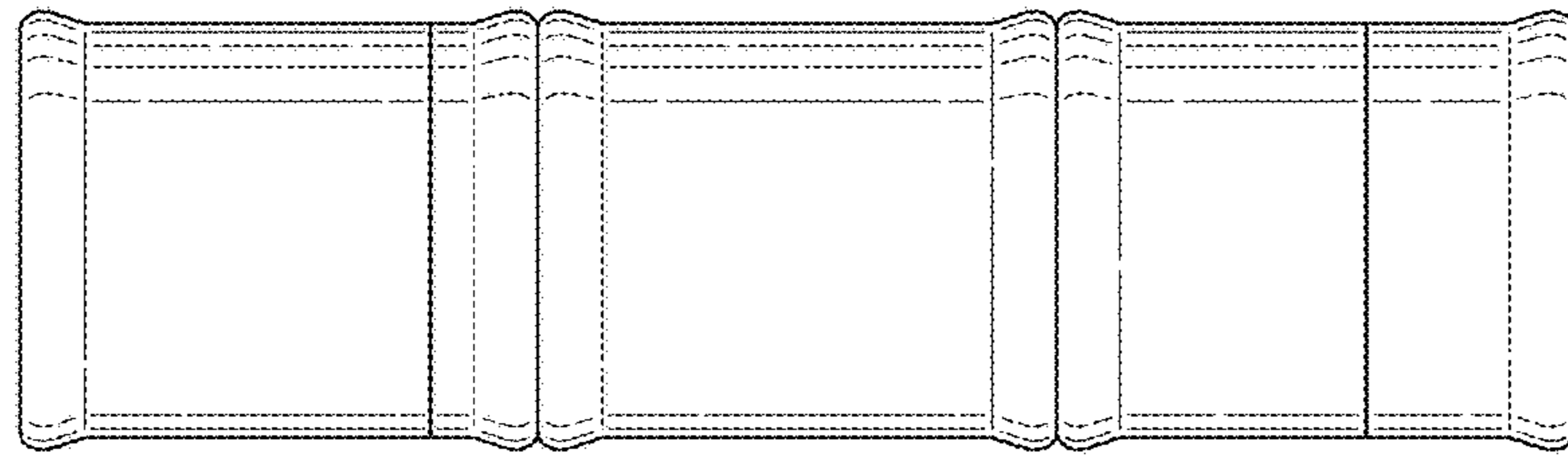


FIG. 3

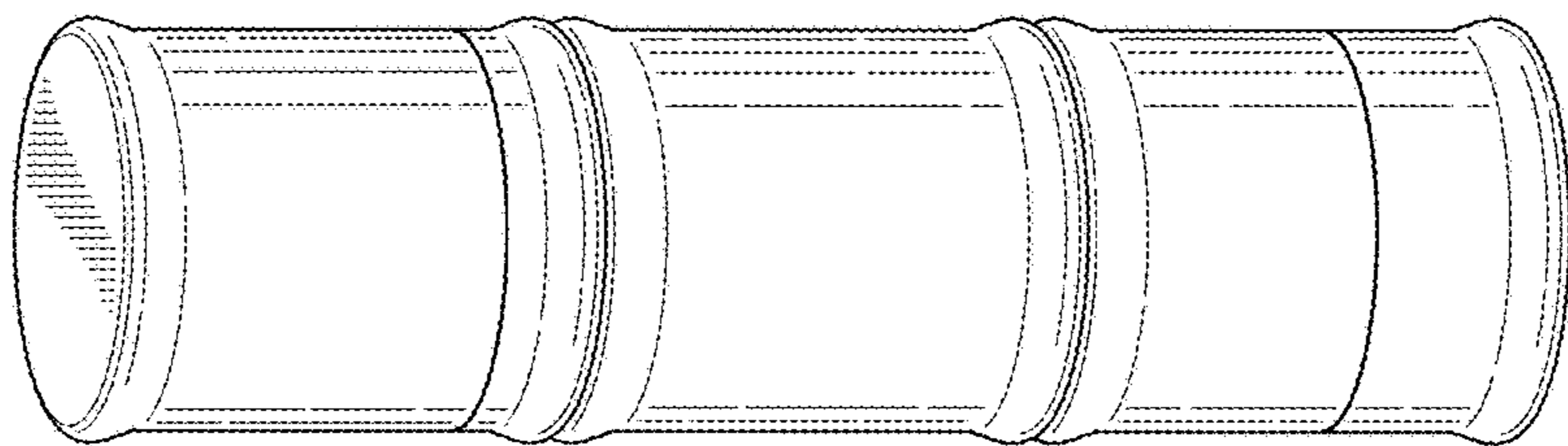


FIG. 4