



US00D828959S

(12) **United States Design Patent**  
**Martone**

(10) **Patent No.:** **US D828,959 S**

(45) **Date of Patent:** **\*\* Sep. 18, 2018**

(54) **3-IN-1 FLOSS PICK**

(71) Applicant: **DenTek Oral Care, Inc.**, Tarrytown, NY (US)

(72) Inventor: **Joseph R. Martone**, Bristol, CT (US)

(73) Assignee: **DenTek Oral Care, Inc.**, Tarrytown, NY (US)

(\*\*) Term: **15 Years**

(21) Appl. No.: **29/598,802**

(22) Filed: **Mar. 29, 2017**

(51) **LOC (11) Cl.** ..... **28-03**

(52) **U.S. Cl.**  
USPC ..... **D28/68**

(58) **Field of Classification Search**  
USPC ..... D28/68, 66, 67, 65; D24/152;  
132/323-327, 329; 15/105, 111  
CPC ..... A61C 15/00; A61C 15/046  
See application file for complete search history.

(56) **References Cited**

U.S. PATENT DOCUMENTS

158,673 A	1/1875	Bulkley	
682,892 A	9/1901	Thurston	
1,658,706 A	2/1923	Carroll	
4,280,518 A	7/1981	Gambaro	
D279,826 S *	7/1985	Schindler	..... D28/68
4,576,190 A	3/1986	Youssef	
D283,761 S	5/1986	Chen	
4,712,266 A	12/1987	Yamaki	
D296,271 S	6/1988	Kobayashi	
D301,072 S	5/1989	Ross, Jr.	
D301,701 S	5/1989	Franchi	
4,911,187 A	3/1990	Castillo	
D309,803 S	8/1990	Potter	
D316,617 S	4/1991	Cheung	
5,447,572 A	9/1995	LaClair	

(Continued)

FOREIGN PATENT DOCUMENTS

WO 2016176261 A1 11/2015

*Primary Examiner* — Susan B Hattan

*Assistant Examiner* — Rebecca Tsehaye

(74) *Attorney, Agent, or Firm* — Luedeka Neely Group, PC

(57) **CLAIM**

The ornamental design for a 3-in-1 floss pick, as shown and described.

**DESCRIPTION**

FIGS. 1 and 2 are perspective views of a 3-in-1 floss pick of my new design.

FIG. 3 is a right side view of the 3-in-1 floss pick of FIGS. 1 and 2,

FIG. 4 is a left side elevation view of the 3-in-1 floss pick of FIGS. 1 and 2.

FIG. 5 is a top plan view of the 3-in-1 floss pick of FIGS. 1 and 2.

FIG. 6 is a bottom plan view of the 3-in-1 floss pick of FIGS. 1 and 2.

FIG. 7 is a front end view of the 3-in-1 floss pick of FIGS. 1 and 2.

FIG. 8 is a rear end view of the 3-in-1 floss pick of FIGS. 1 and 2.

FIG. 9 and 10 are exploded views of the 3-in-1 floss pick of FIGS. 1 and 2 showing components of the 3-in-1 floss pick.

FIG. 11 is an exploded right side view of the 3-in-1 floss pick of FIGS. 1 and 2.

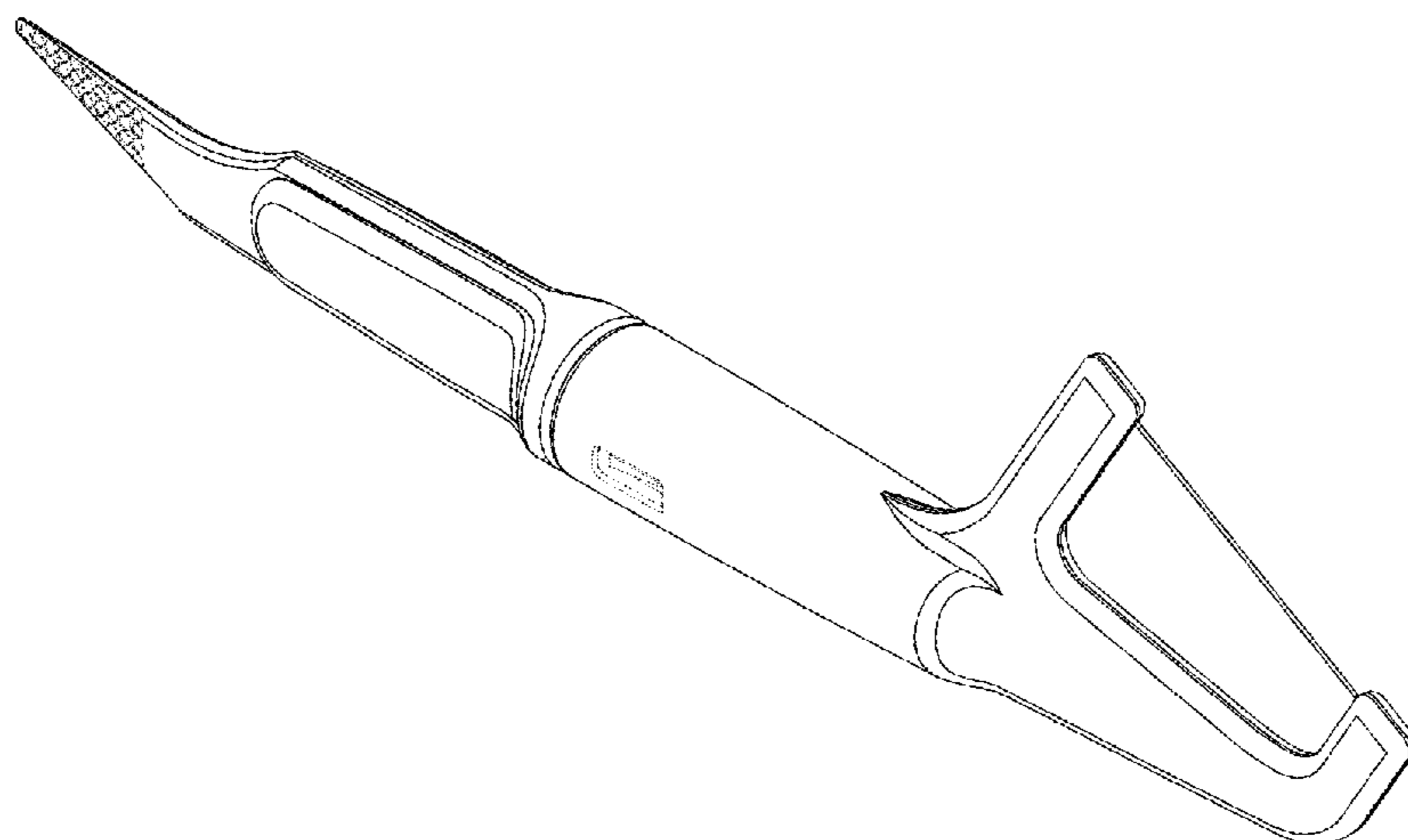
FIG. 12 is an exploded left side elevation view of the 3-in-1 floss pick of FIGS. 1 and 2.

FIG. 13 is an exploded top plan view of the 3-in-1 floss pick of FIGS. 1 and 2; and,

FIG. 14 is an exploded bottom plan view of the 3-in-1 floss pick of FIGS. 1 and 2.

The broken lines in the figures illustrate unclaimed environment only and form no part of the claimed design.

**1 Claim, 5 Drawing Sheets**



(56)

References Cited

U.S. PATENT DOCUMENTS

D382,367 S *	8/1997	Andrade	.....	D28/65	D679,864 S *	4/2013	Erskine-Smith	.....	D28/66
D382,368 S	8/1997	Hsu			8,555,901 B2	10/2013	Misner et al.		
5,738,125 A	4/1998	Lin			8,631,807 B2	1/2014	Morgan		
5,829,458 A	11/1998	Chodorow			8,695,611 B2	4/2014	Snedden et al.		
D410,115 S	5/1999	Chodorow			8,714,165 B2	5/2014	Thomas		
6,102,051 A	8/2000	Neves			8,826,924 B2 *	9/2014	Chiang	.....	A61C 15/041 132/323
6,247,477 B1	6/2001	Wagner			8,997,761 B1	4/2015	Mitchell		
D461,894 S *	8/2002	Jansheski, Jr.	.....	D24/152	D731,710 S	6/2015	Misner et al.		
6,957,467 B2	10/2005	Cabedo-Deslierres et al.			D732,831 S	6/2015	Hohlbein et al.		
6,973,932 B2	12/2005	Ko			9,167,882 B2	10/2015	Stefanson et al.		
D521,737 S	5/2006	Siemer			9,185,968 B1	11/2015	Luis et al.		
D531,757 S	11/2006	Jansheski et al.			9,295,536 B2 *	3/2016	Kwon	.....	A61C 15/00
D531,758 S	11/2006	Jansheski et al.			D756,125 S	5/2016	Hsu		
D532,160 S *	11/2006	Jansheski	.....	D28/68	D760,958 S	7/2016	Xu		
D532,934 S *	11/2006	Crossman	.....	D28/65	D760,959 S	7/2016	Xu		
7,156,107 B2	1/2007	Hsu			D760,960 S	7/2016	Xu		
7,204,257 B2	4/2007	Crossman			D761,025 S	7/2016	Hinckley		
D550,460 S	9/2007	Dunn et al.			D777,377 S *	1/2017	Dudley	.....	D28/65
D571,043 S	6/2008	Crossman			2004/0094180 A1	5/2004	Hsu		
D578,254 S *	10/2008	Grendol	.....	D28/66	2005/0118553 A1	6/2005	Galvan		
D599,557 S	9/2009	Crossman			2008/0185016 A1 *	8/2008	Jansheski	.....	A61B 17/244 132/324
D610,748 S *	2/2010	Volpenhein	.....	D28/66	2009/0095319 A1	4/2009	Jansheski et al.		
D612,104 S *	3/2010	Chodorow	.....	D28/65	2010/0107417 A1	5/2010	Crisp		
D614,406 S	4/2010	Stieger			2010/0200015 A1	8/2010	Sharoff		
D614,870 S *	5/2010	Buda	.....	D28/65	2010/0269278 A1	10/2010	Huang		
D618,396 S *	6/2010	Volpenhein	.....	D28/66	2010/0279253 A1	11/2010	Fishman		
D637,762 S	5/2011	Nanda			2012/0111348 A1	5/2012	Prokopchuk et al.		
7,997,287 B2 *	8/2011	Jansheski	.....	A61C 15/046 132/323	2013/0220363 A1	8/2013	Zarrabi et al.		
8,069,865 B1 *	12/2011	Winter	.....	A61C 15/046 132/323	2014/0007899 A1	1/2014	Berry et al.		
D655,044 S *	2/2012	Nanda	.....	D28/66	2016/0015165 A1	1/2016	Oechslin et al.		
D666,006 S *	8/2012	Zarrabi	.....	D28/68	2016/0067021 A1	5/2016	Zwimpfer et al.		
D668,389 S *	10/2012	Zekaj	.....	D28/65	2016/0166365 A1	6/2016	Ninh		
					2016/0192770 A1	7/2016	Trent		
					2016/0193021 A1	7/2016	Lin		
					2016/0278894 A1	9/2016	Xu		

\* cited by examiner

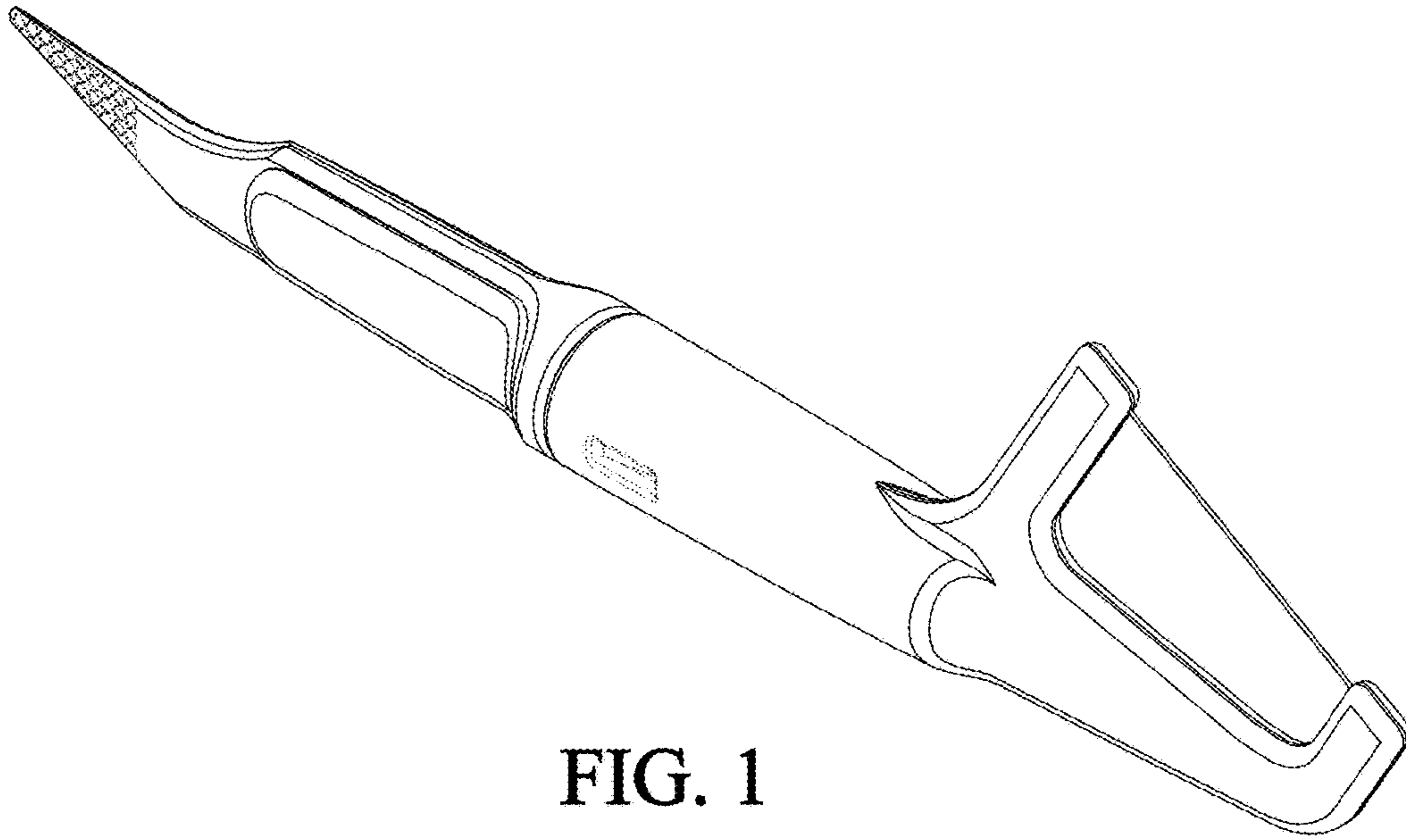


FIG. 1

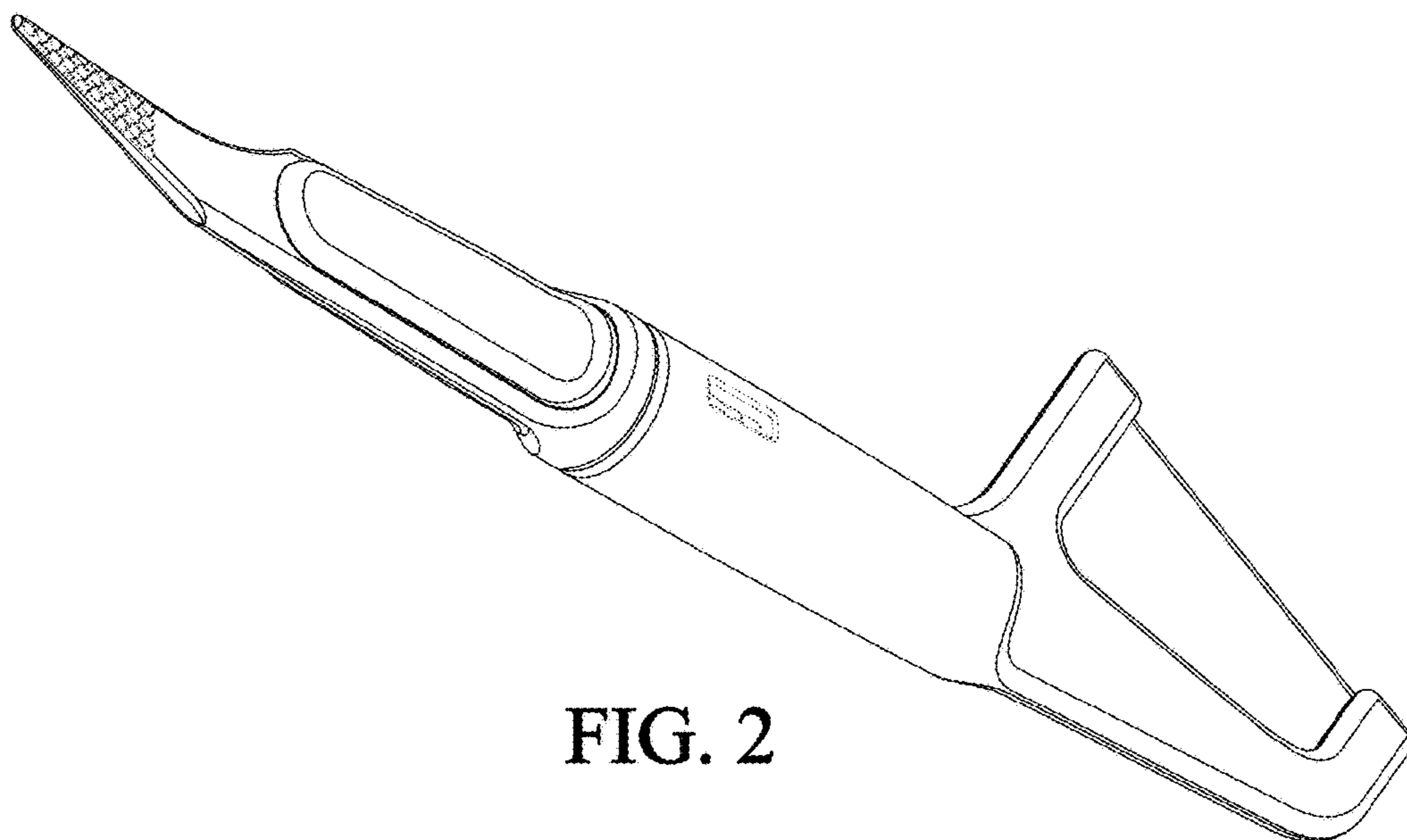


FIG. 2

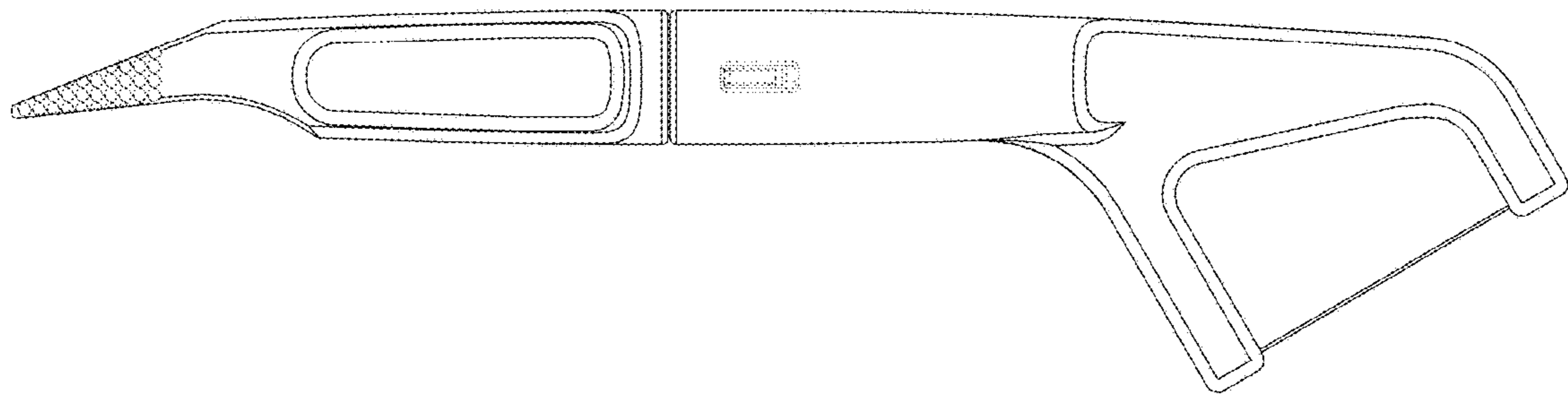


FIG. 3

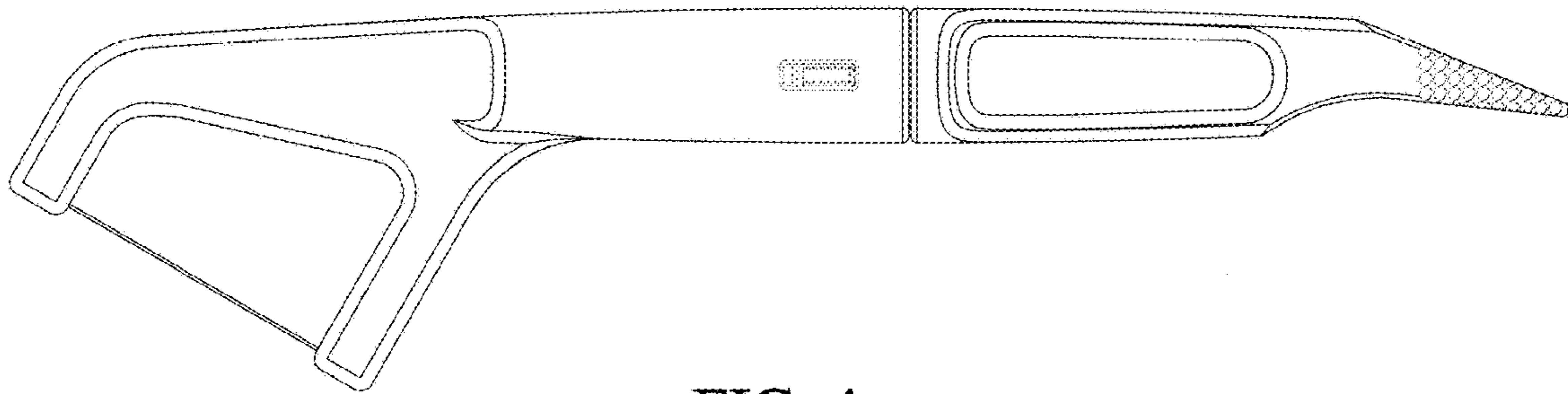


FIG. 4

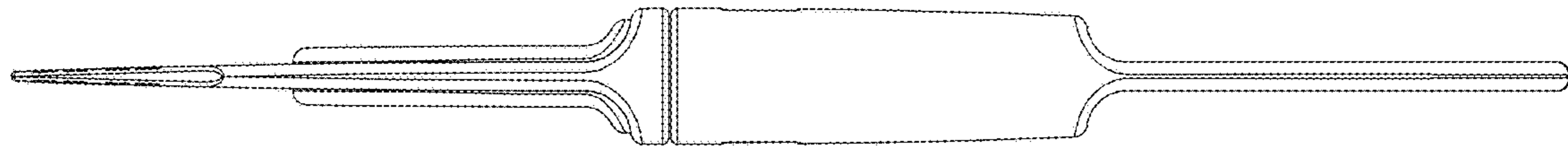


FIG. 5

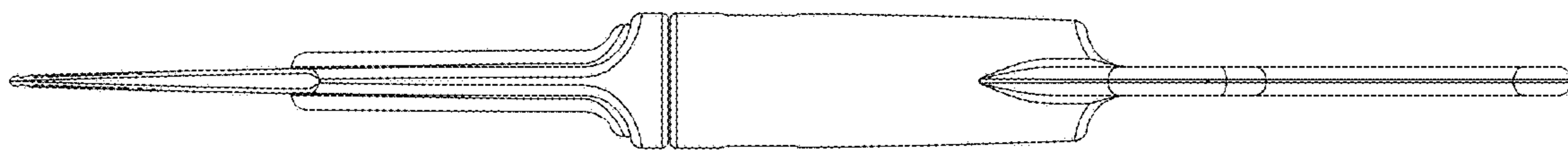


FIG. 6

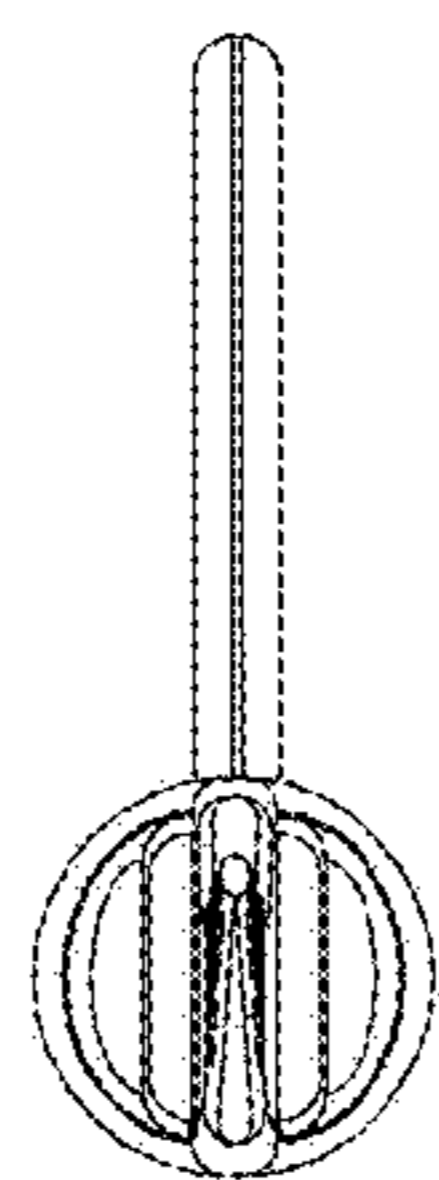


FIG. 7

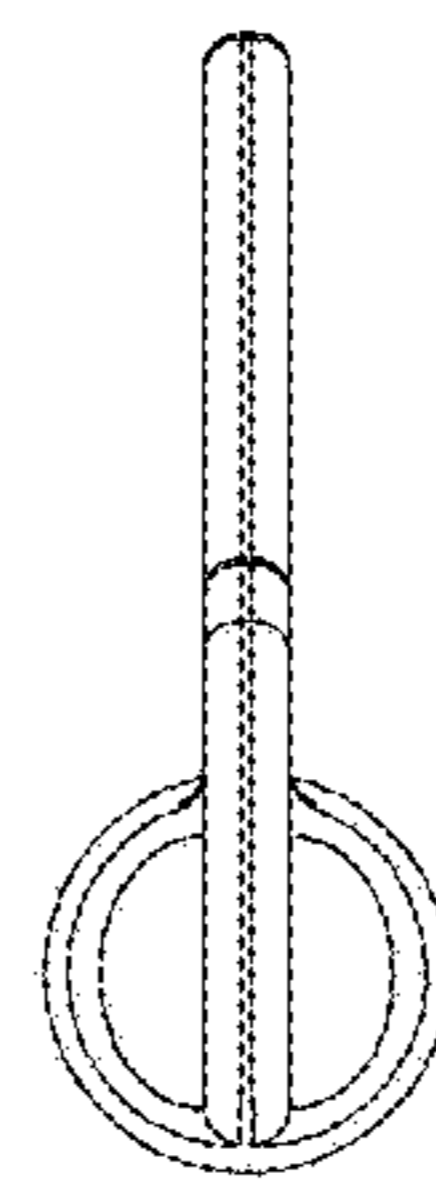
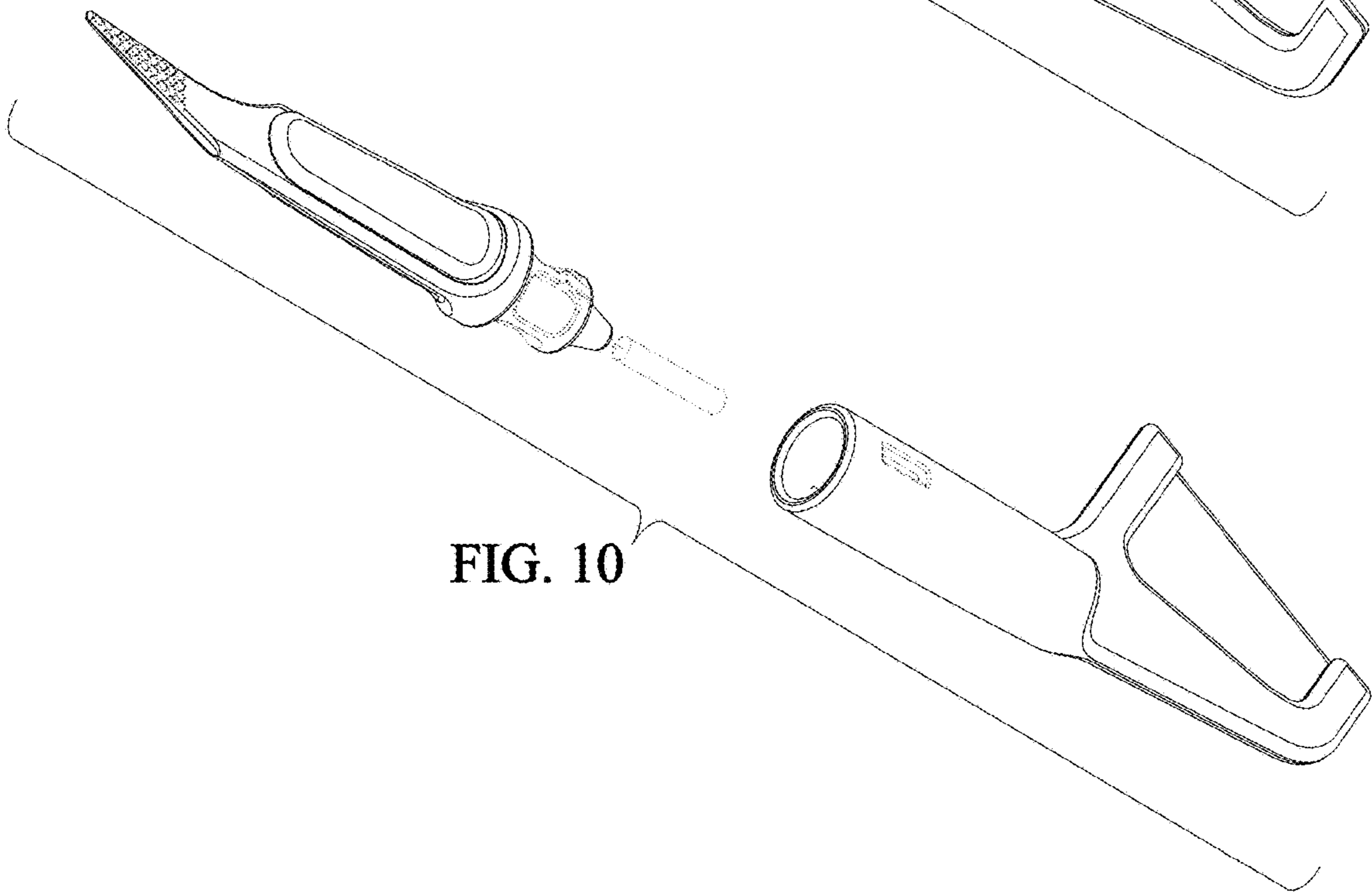
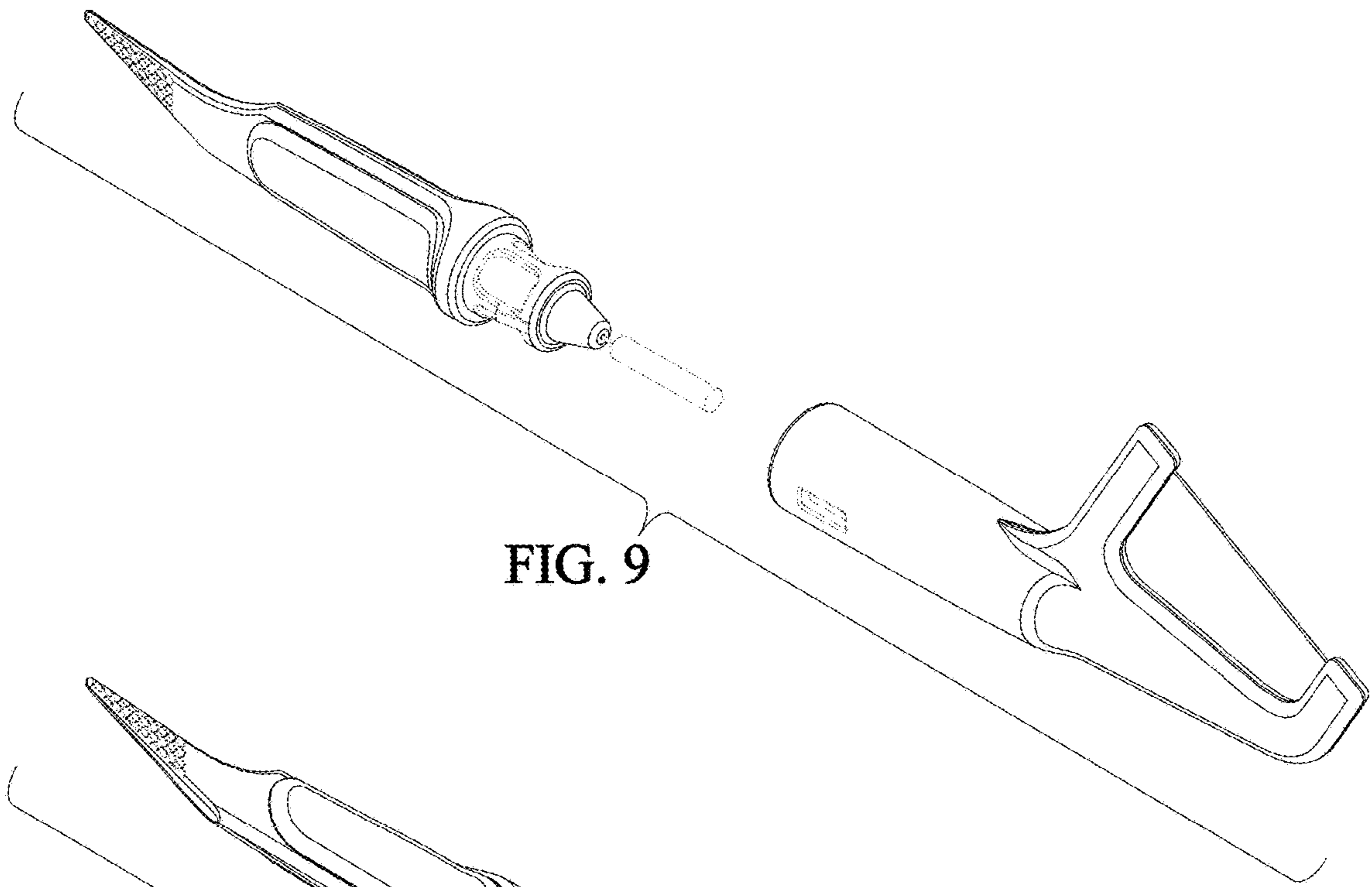


FIG. 8



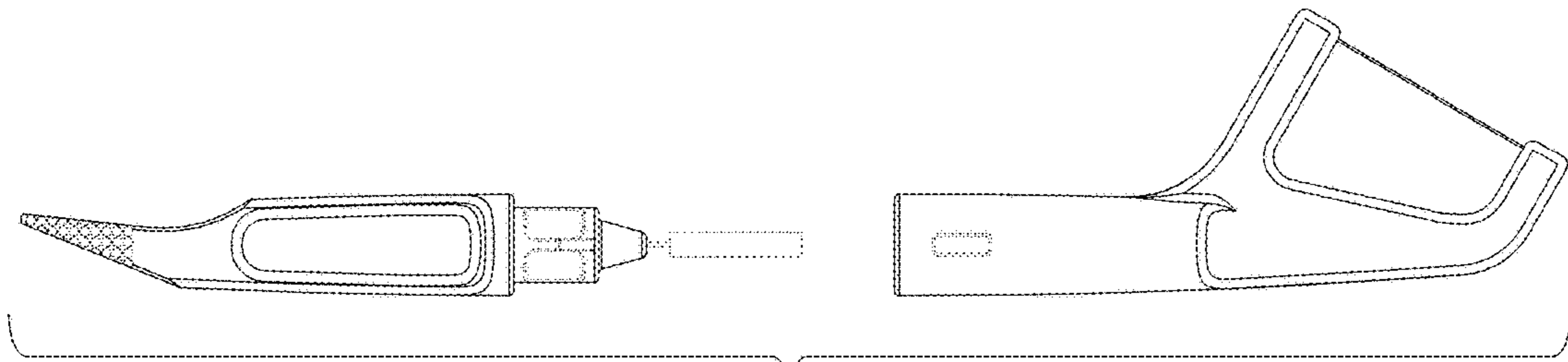


FIG. 11

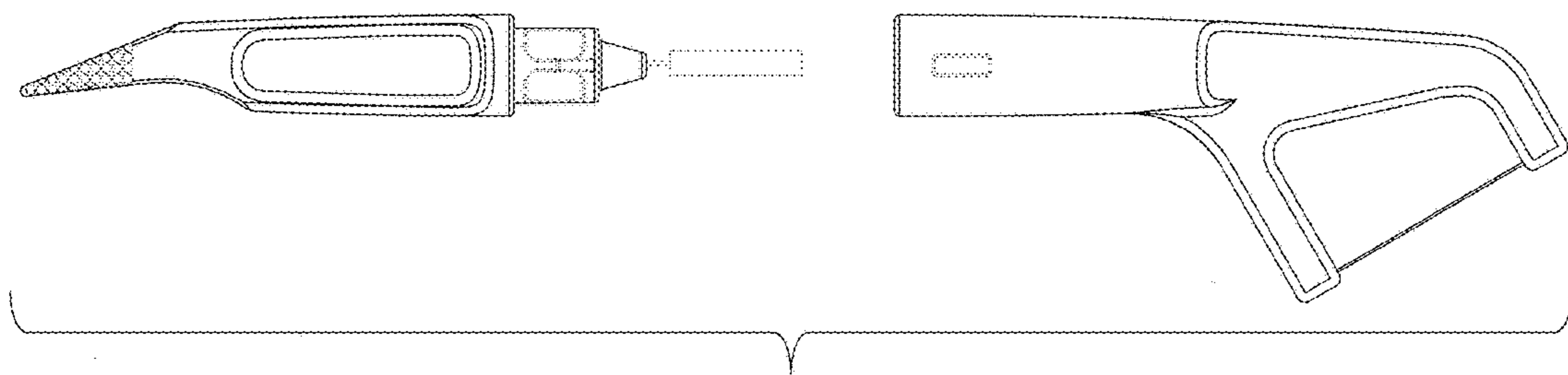


FIG. 12

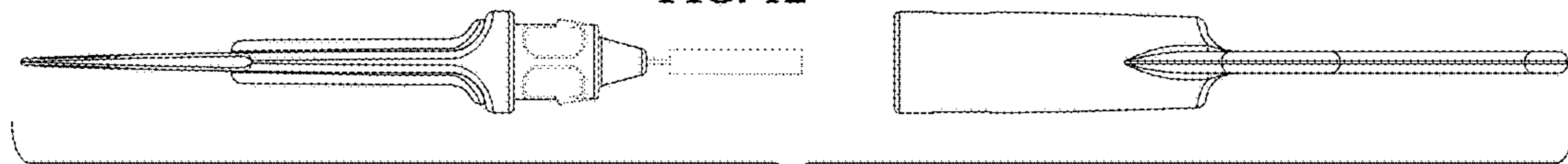


FIG. 13

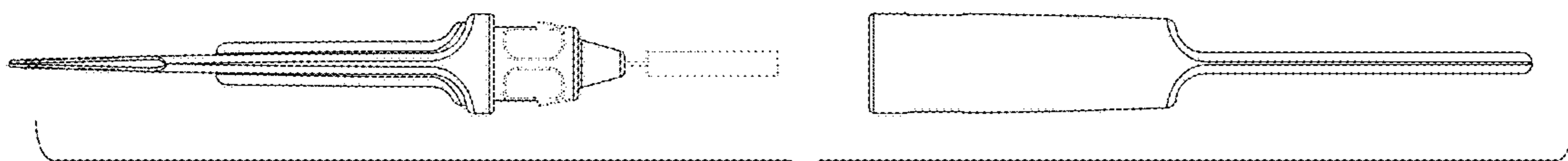


FIG. 14