



US00D828950S

(12) **United States Design Patent**
Gu

(10) **Patent No.:** **US D828,950 S**
(45) **Date of Patent:** **** Sep. 18, 2018**

(54) **ARC LIGHTER**

(71) Applicant: **Lianyungang Chudian Network Technology Co., Ltd., Lianyungang (CN)**

(72) Inventor: **Rongya Gu, Tongxing Town (CN)**

(73) Assignee: **Lianyungang Chudian Network, Lianyungang (CN)**

(**) Term: **15 Years**

(21) Appl. No.: **29/606,024**

(22) Filed: **Jun. 1, 2017**

(30) **Foreign Application Priority Data**

Mar. 28, 2017 (EM) 003826890

(51) **LOC (11) Cl.** **27-05**

(52) **U.S. Cl.**
USPC **D27/141**

(58) **Field of Classification Search**
USPC D27/154, 139, 141, 152, 153, 156, 157, D27/159, 160; 431/273, 274, 277, 350, 431/353
CPC F23Q 2/00; F23Q 2/02; F23Q 2/16; F23Q 2/161; F23Q 5/00
See application file for complete search history.

(56) **References Cited**

U.S. PATENT DOCUMENTS

D244,783 S * 6/1977 O'Brien D27/159
D314,837 S * 2/1991 Nitta D27/154

D320,467 S * 10/1991 Ichikawa D27/159
D339,209 S * 9/1993 Ichikawa D27/157
6,506,046 B1 * 1/2003 Luo F23Q 2/164
431/153
6,699,033 B2 * 3/2004 Xu F23Q 2/287
431/255
7,335,017 B2 * 2/2008 Wong F23Q 2/162
431/277
D716,997 S * 11/2014 Freelander D23/367
9,046,267 B2 * 6/2015 Muste F23Q 2/287
D736,455 S * 8/2015 Liu D27/189
D736,995 S * 8/2015 Recio D27/141

* cited by examiner

Primary Examiner — Susan Bennett Hattan
Assistant Examiner — Rebecca Tsehaye
(74) *Attorney, Agent, or Firm* — Hall Estill Law Firm

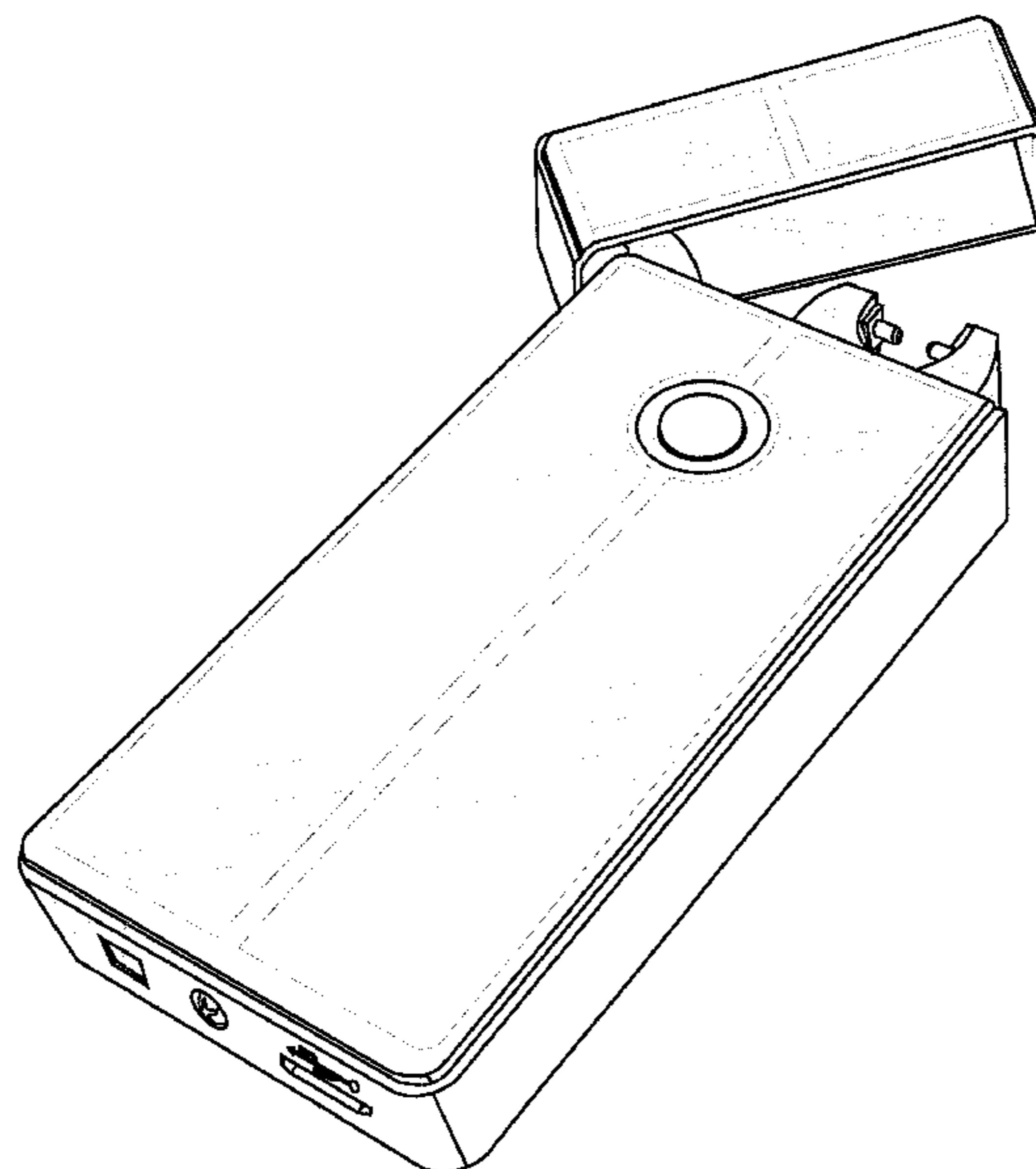
(57) **CLAIM**

The ornamental design for an arc lighter, as shown and described.

DESCRIPTION

FIG. 1 is a perspective view of the arc lighter with the top cap open;
FIG. 2 is another perspective view of the arc lighter with the top cap closed;
FIG. 3 is a front view of the arc lighter shown in FIG. 1;
FIG. 4 is a rear view of the arc lighter shown in FIG. 1;
FIG. 5 is a left view of the arc lighter shown in FIG. 2;
FIG. 6 is a right view of the arc lighter shown in FIG. 2;
FIG. 7 is a top view of the arc lighter shown in FIG. 2; and,
FIG. 8 is a bottom view of the arc lighter shown in FIG. 2.

1 Claim, 8 Drawing Sheets



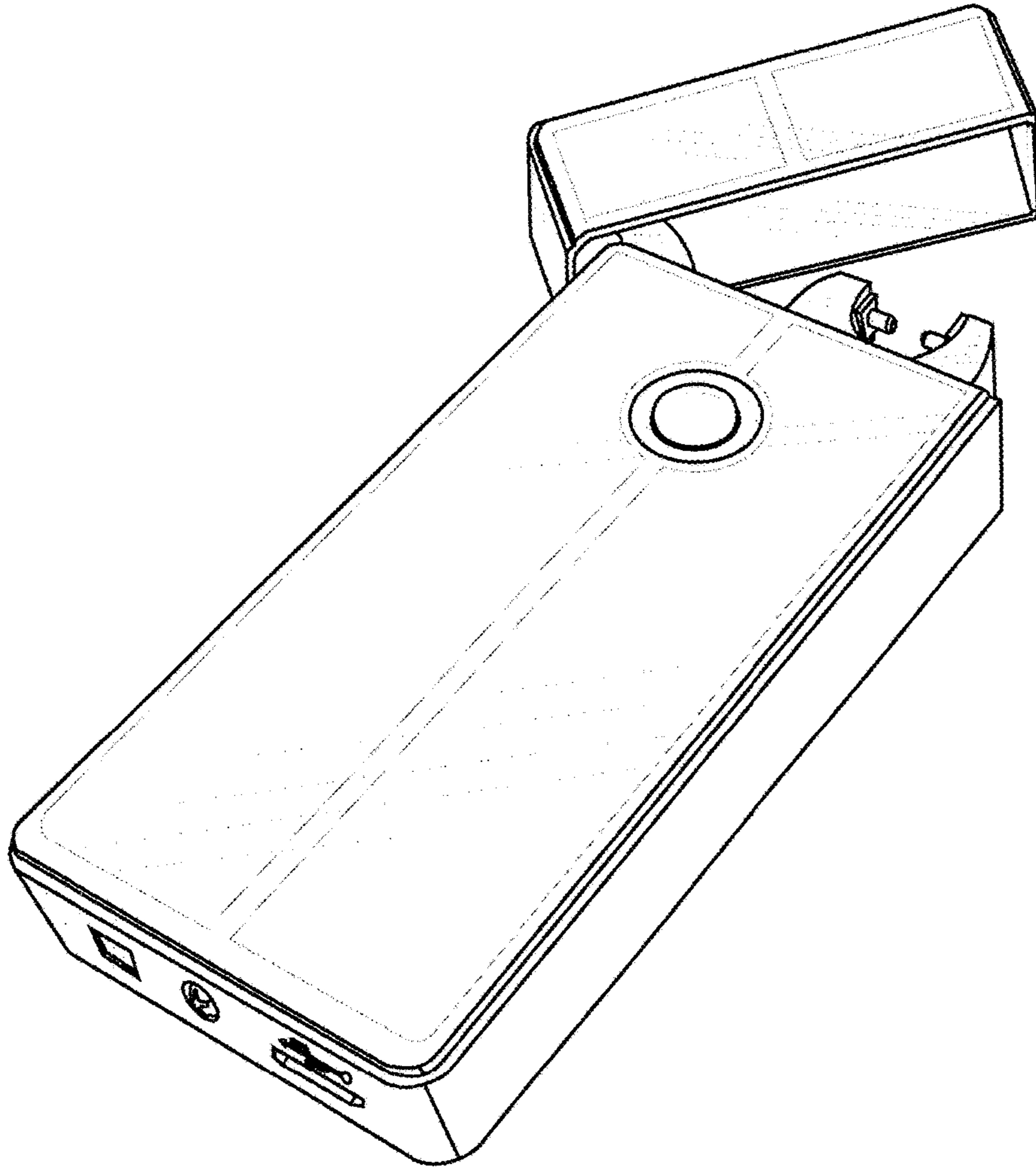


Fig.1

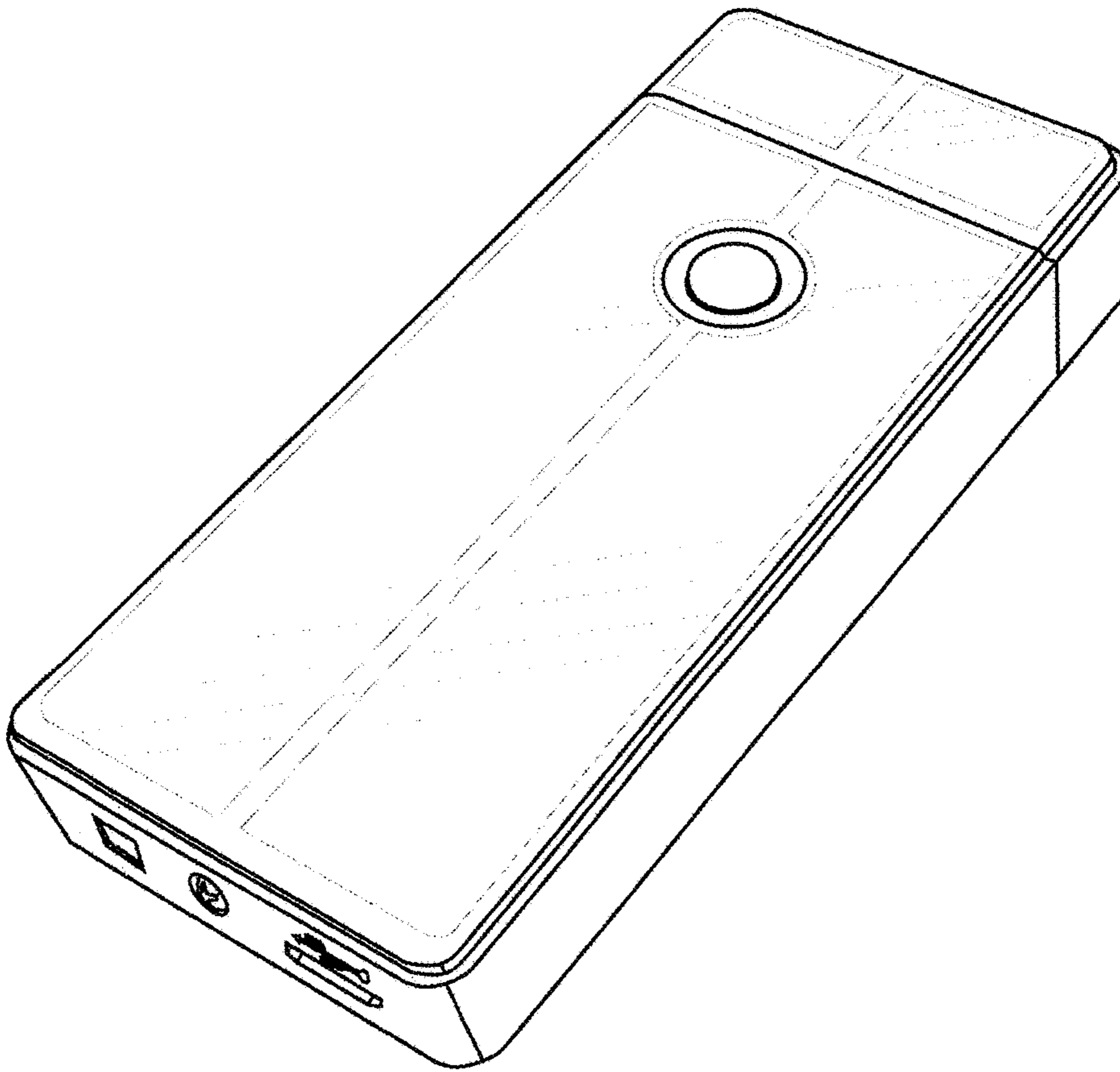


Fig.2

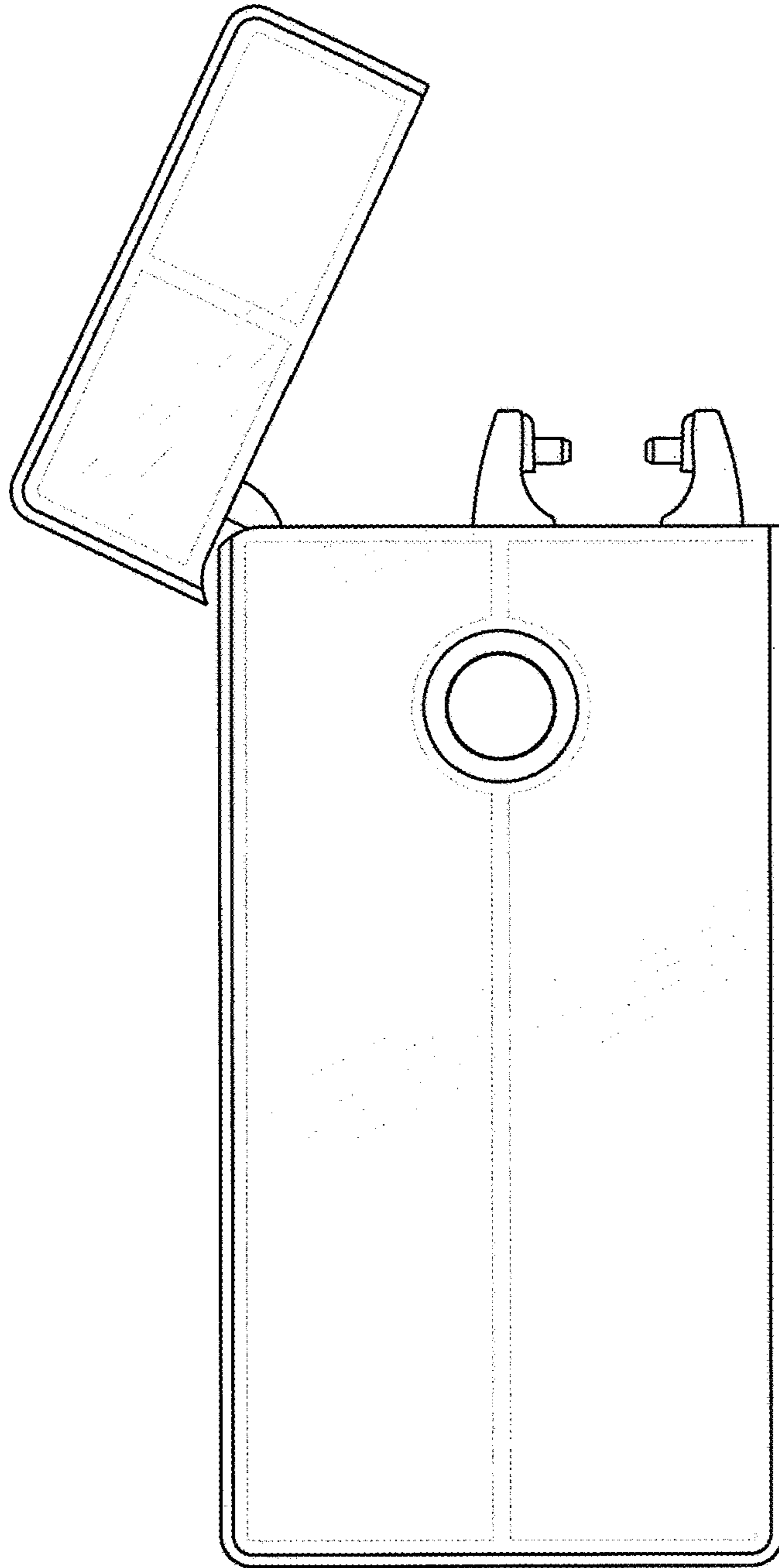


Fig.3

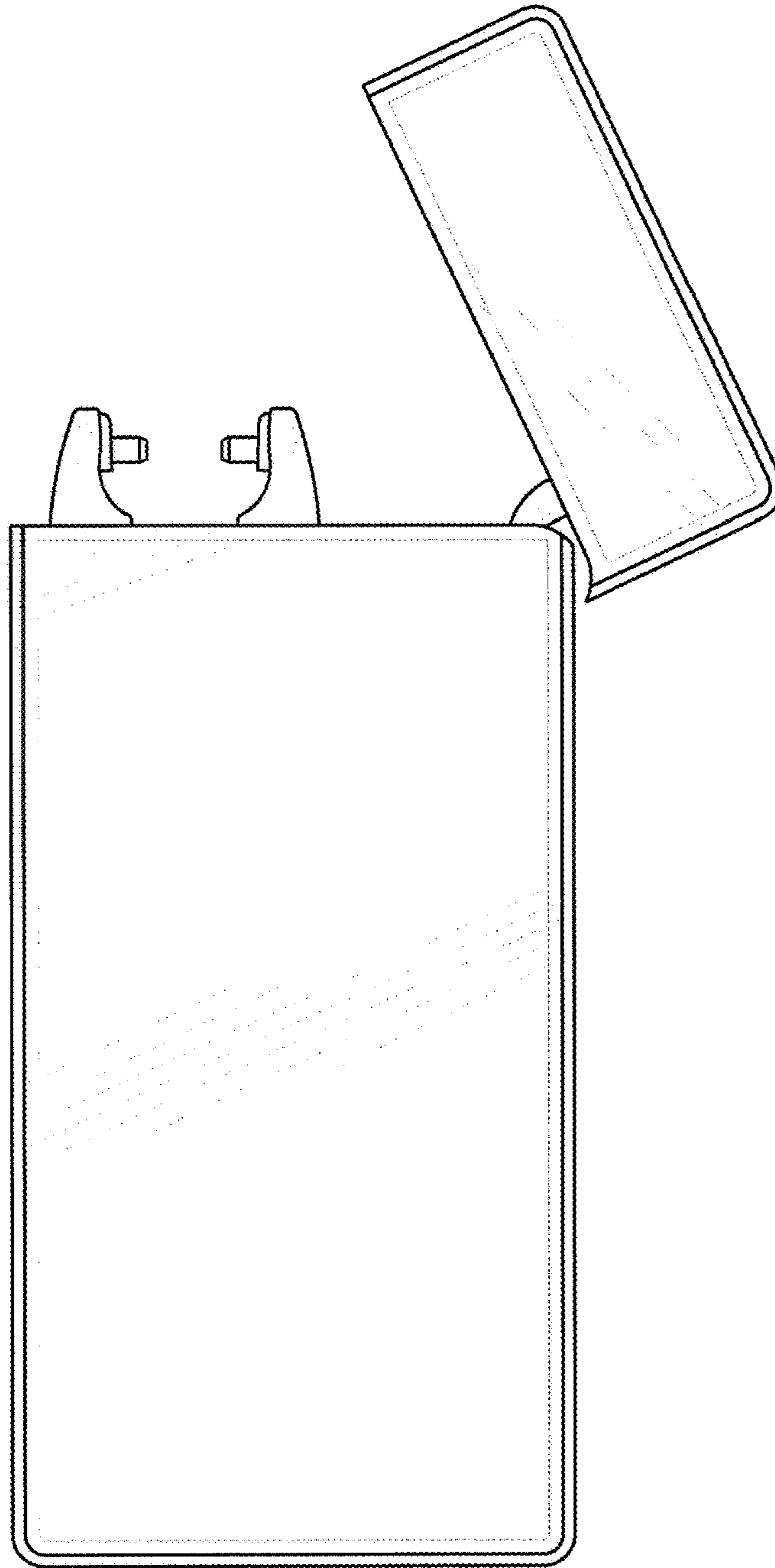


Fig.4

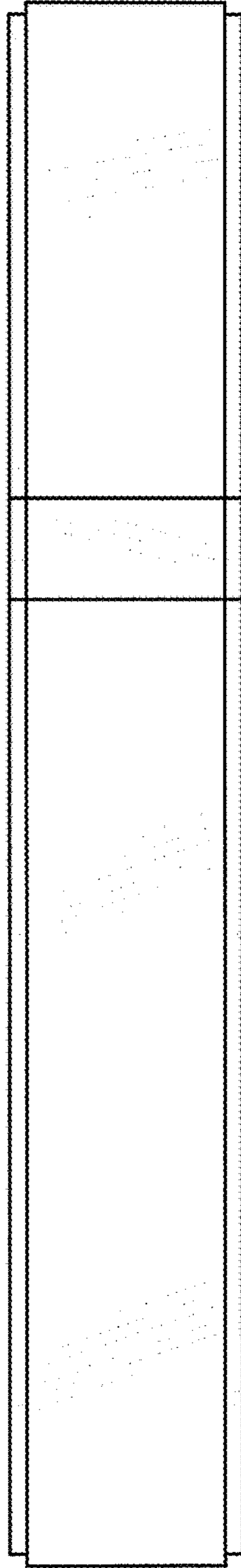


Fig.5

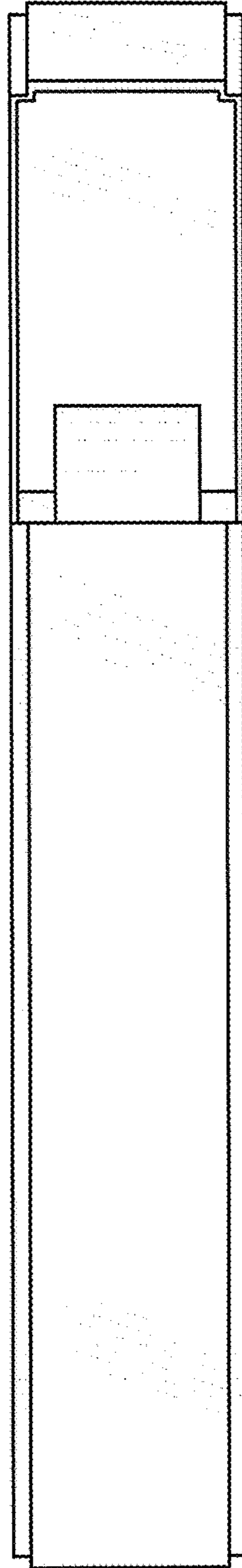


Fig.6

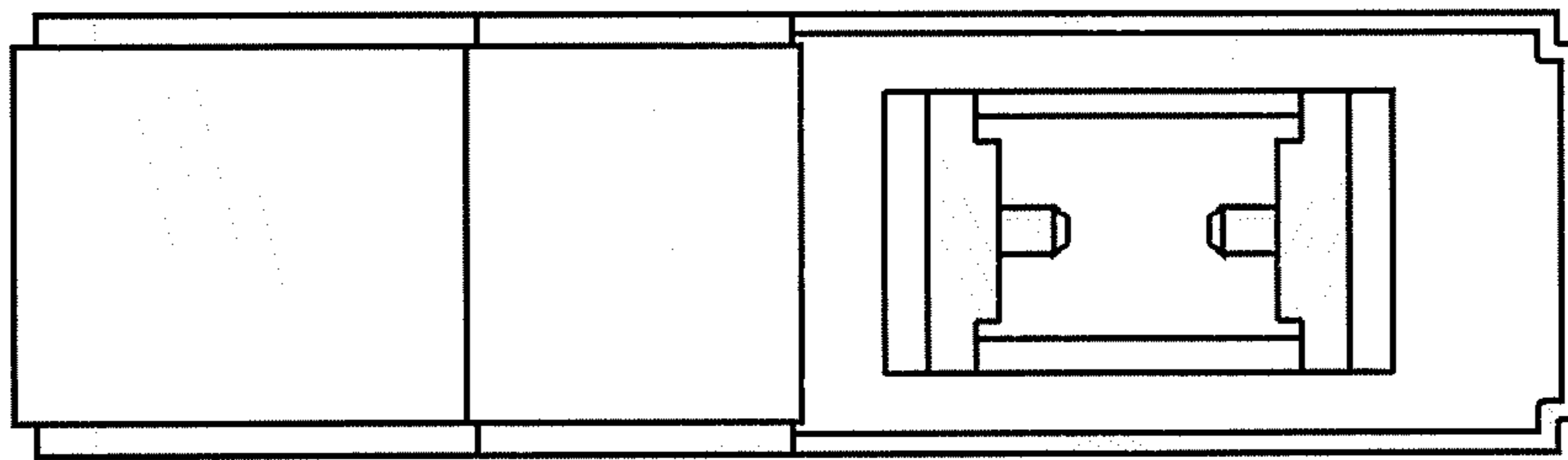


Fig. 7

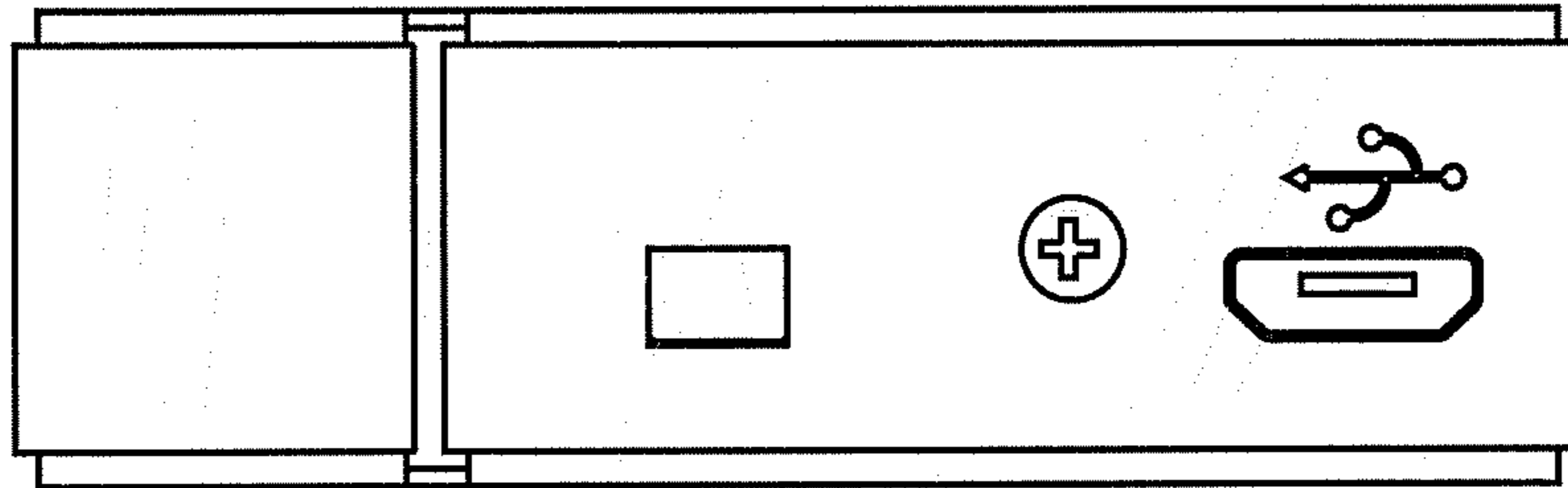


Fig.8

UNITED STATES PATENT AND TRADEMARK OFFICE
CERTIFICATE OF CORRECTION

PATENT NO. : D828,950 S
APPLICATION NO. : 29/606024
DATED : September 18, 2018
INVENTOR(S) : Rongya Gu

Page 1 of 1

It is certified that error appears in the above-identified patent and that said Letters Patent is hereby corrected as shown below:

On the Title Page

Item (73) Assignee should read:

Lianyungang Chudian Network Technology Co., Ltd., Lianyungang (CN)

Descriptions for FIGS. 5-8 should read:

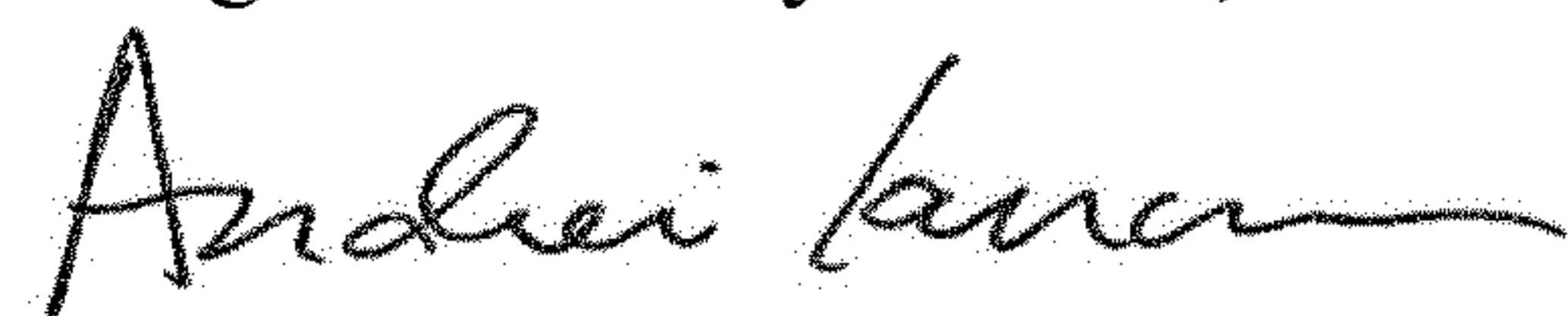
FIG. 5 is a left view of the arc lighter shown in FIG. 1;

FIG. 6 is a right view of the arc lighter shown in FIG. 1;

FIG. 7 is a top view of the arc lighter shown in FIG. 1;

FIG. 8 is a bottom view of the arc lighter shown in FIG. 1.

Signed and Sealed this
Eighteenth Day of June, 2019



Andrei Iancu
Director of the United States Patent and Trademark Office