

US00D828948S

(12) **United States Design Patent** (10) **Patent No.:** **US D828,948 S**
Altamura et al. (45) **Date of Patent:** **** Sep. 18, 2018**

(54) **LIGHT GLOBE AND BASE SOCKET**

(71) Applicant: **Seasonal Specialties, LLC**, Eden Prairie, MN (US)

(72) Inventors: **Steven J. Altamura**, Scarsdale, NY (US); **Weng Yunbing**, Taizhou (CN); **Chen Yongtai**, WenLin (CN)

(73) Assignee: **Seasonal Specialties, LLC**, Eden Prairie, MN (US)

(**) Term: **15 Years**

(21) Appl. No.: **29/591,327**

(22) Filed: **Jan. 19, 2017**

(51) **LOC (11) Cl.** **26-99**

(52) **U.S. Cl.**
USPC **D26/113**

(58) **Field of Classification Search**
USPC D26/24, 60-67, 71, 85, 92, 113, 118, D26/119, 128-134
CPC F21V 21/14; F21V 15/01; F21V 14/02; F21V 21/30; F21V 14/00; F21Y 2105/001; F21S 8/00; F21S 8/081
See application file for complete search history.

(56) **References Cited**

U.S. PATENT DOCUMENTS

5,280,417 A * 1/1994 Hall F21S 8/081 362/153

6,902,292 B2 6/2005 Lai
D632,414 S * 2/2011 Croce D26/63
D652,975 S * 1/2012 Harshaw D26/67
D672,484 S * 12/2012 Chen D26/67
D698,478 S * 1/2014 Randolph D26/67
2016/0025309 A1 1/2016 Zhang

* cited by examiner

Primary Examiner — Brian N. Vinson

(74) *Attorney, Agent, or Firm* — Altera Law Group, LLC

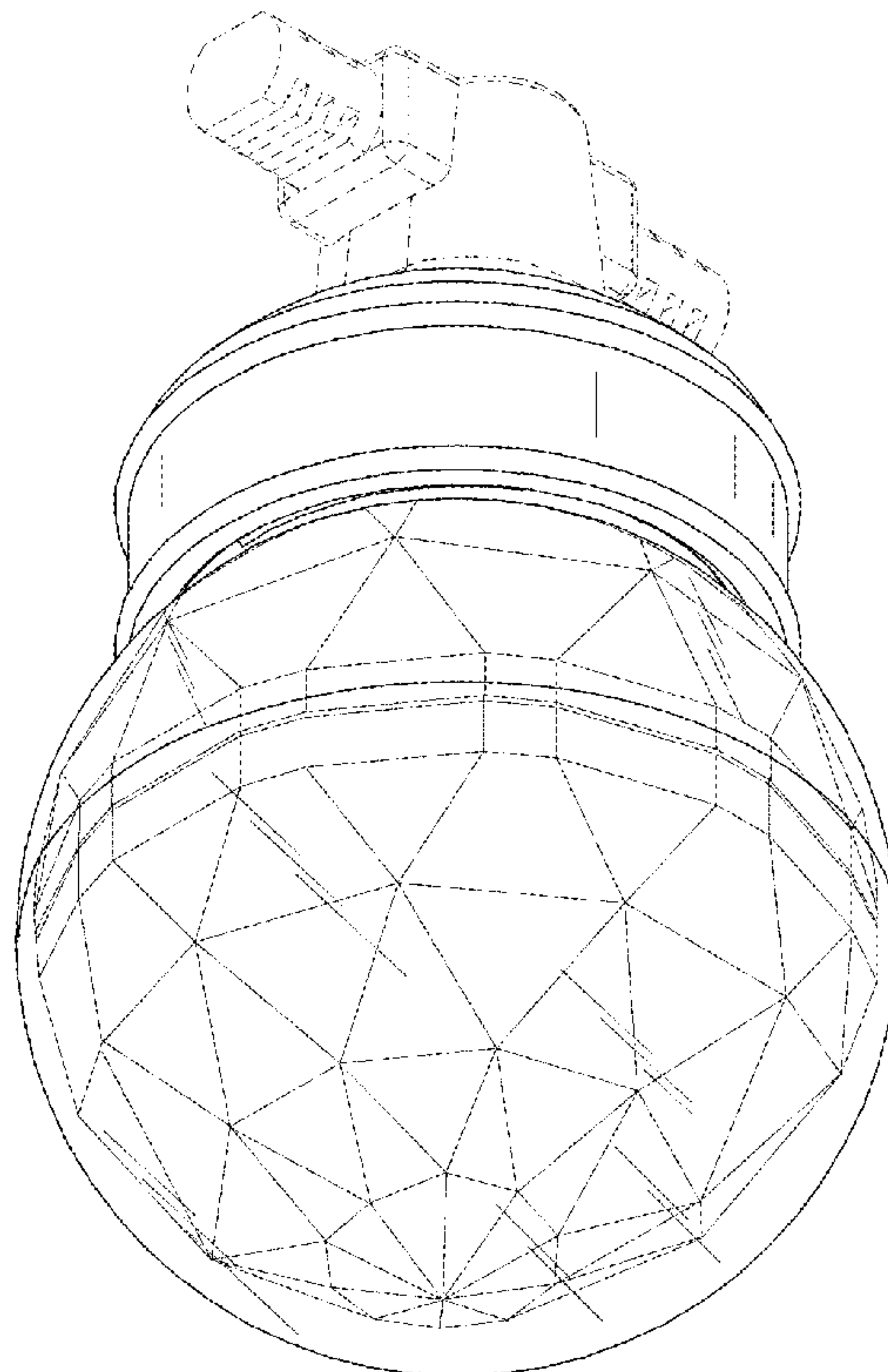
(57) **CLAIM**

The ornamental design for a light globe and base socket, as shown and described.

DESCRIPTION

FIG. 1 is a perspective view of a light globe and base. FIG. 2 is a front/back planar view of FIG. 1 thereof. FIG. 3 is a side planar view of FIG. 1 thereof. FIG. 4 is a top planar view of FIG. 1 thereof; and, FIG. 5 is a bottom planar view of FIG. 1 thereof. The broken line disclosure represents portions of the light globe and base socket which form no part of the claimed design.

1 Claim, 4 Drawing Sheets



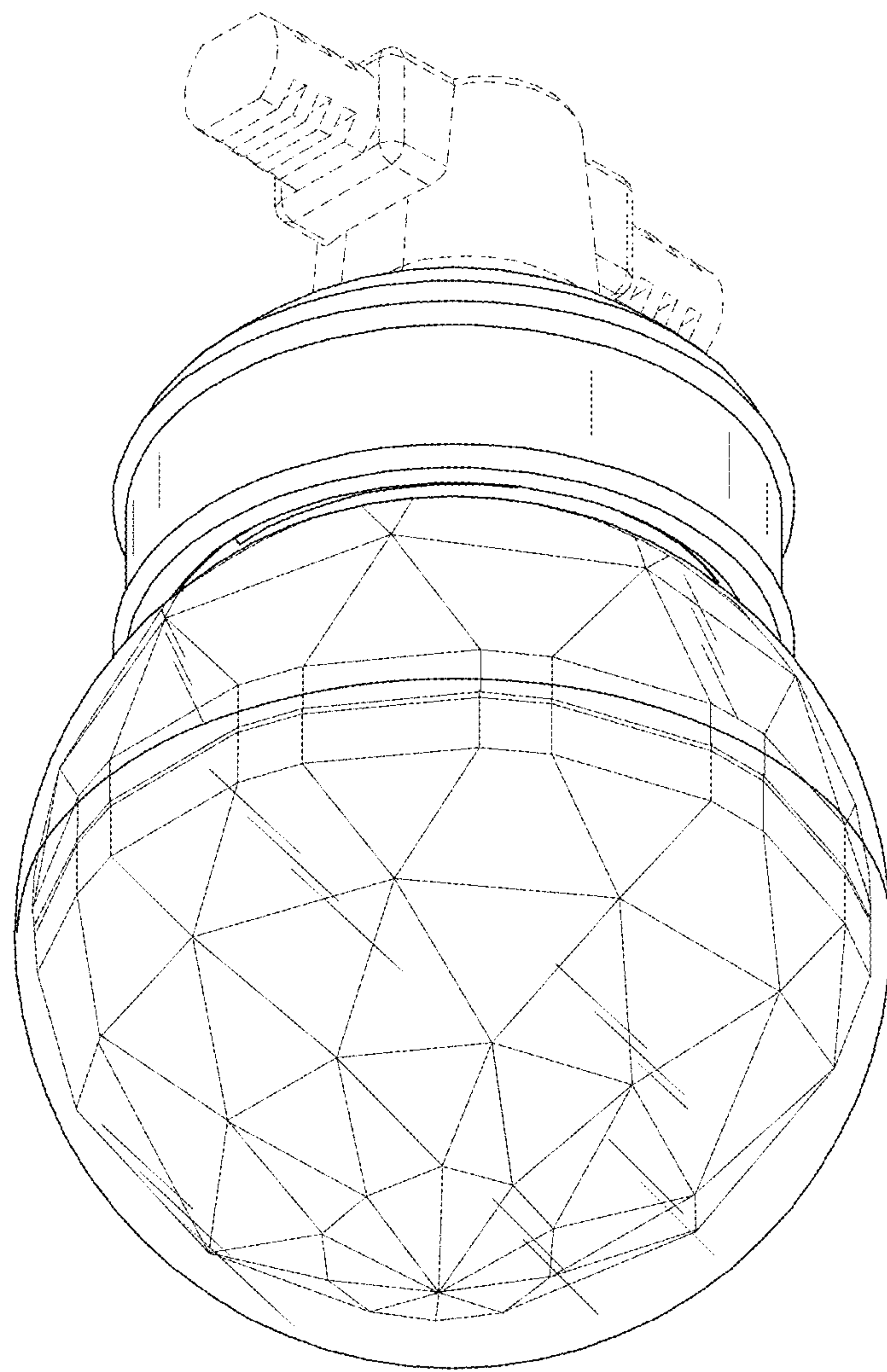


FIG. 1

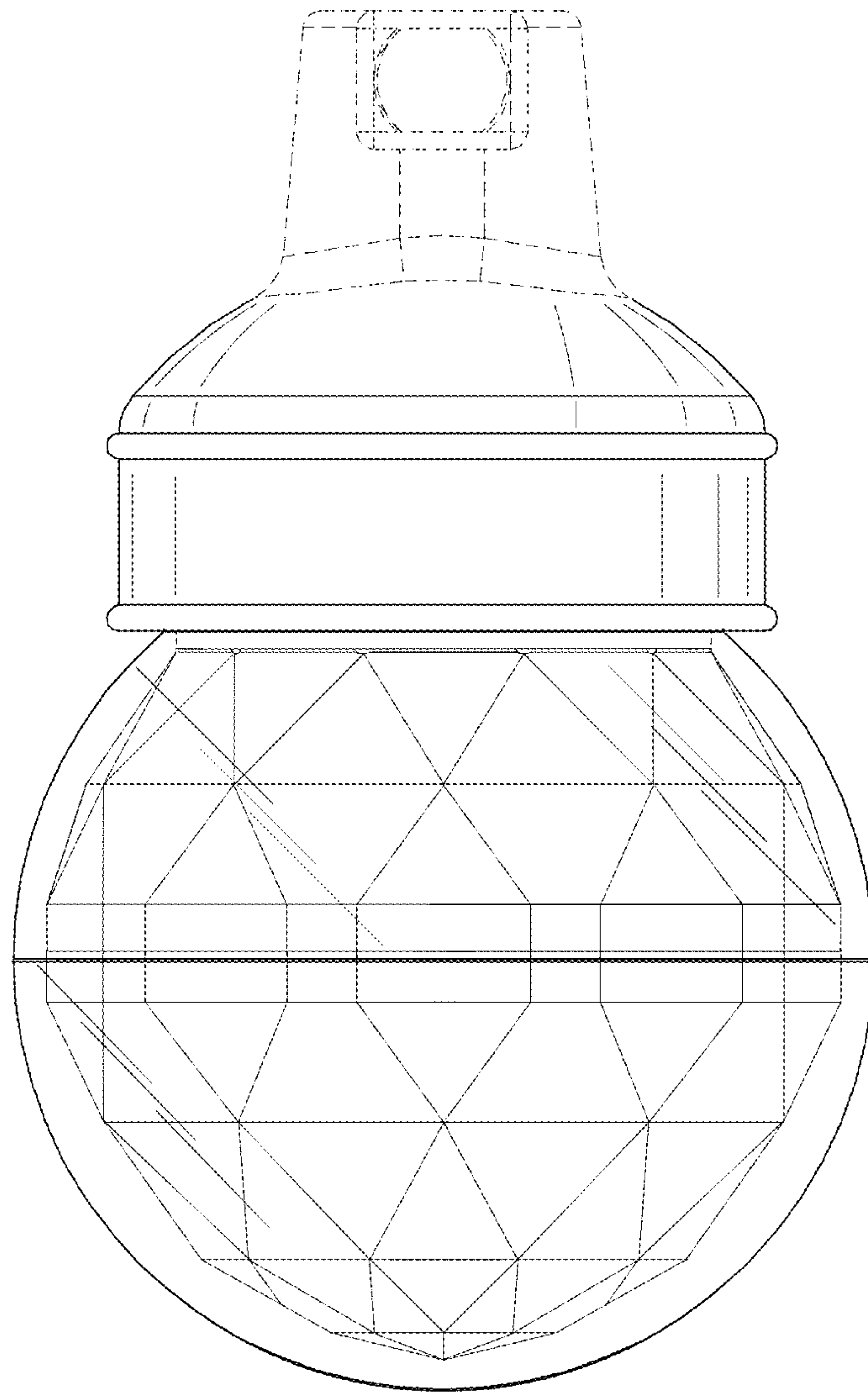


FIG. 2

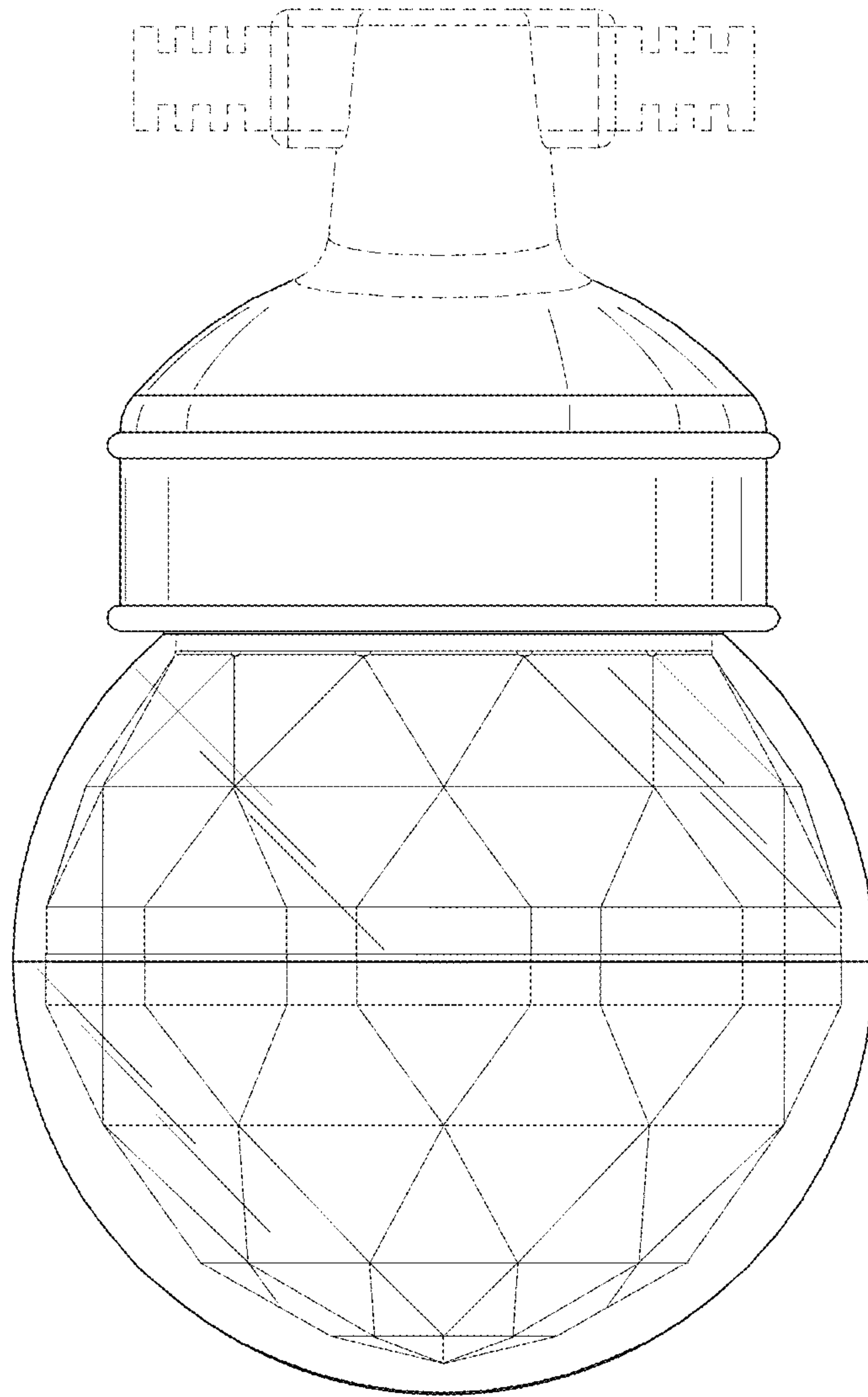


FIG. 3

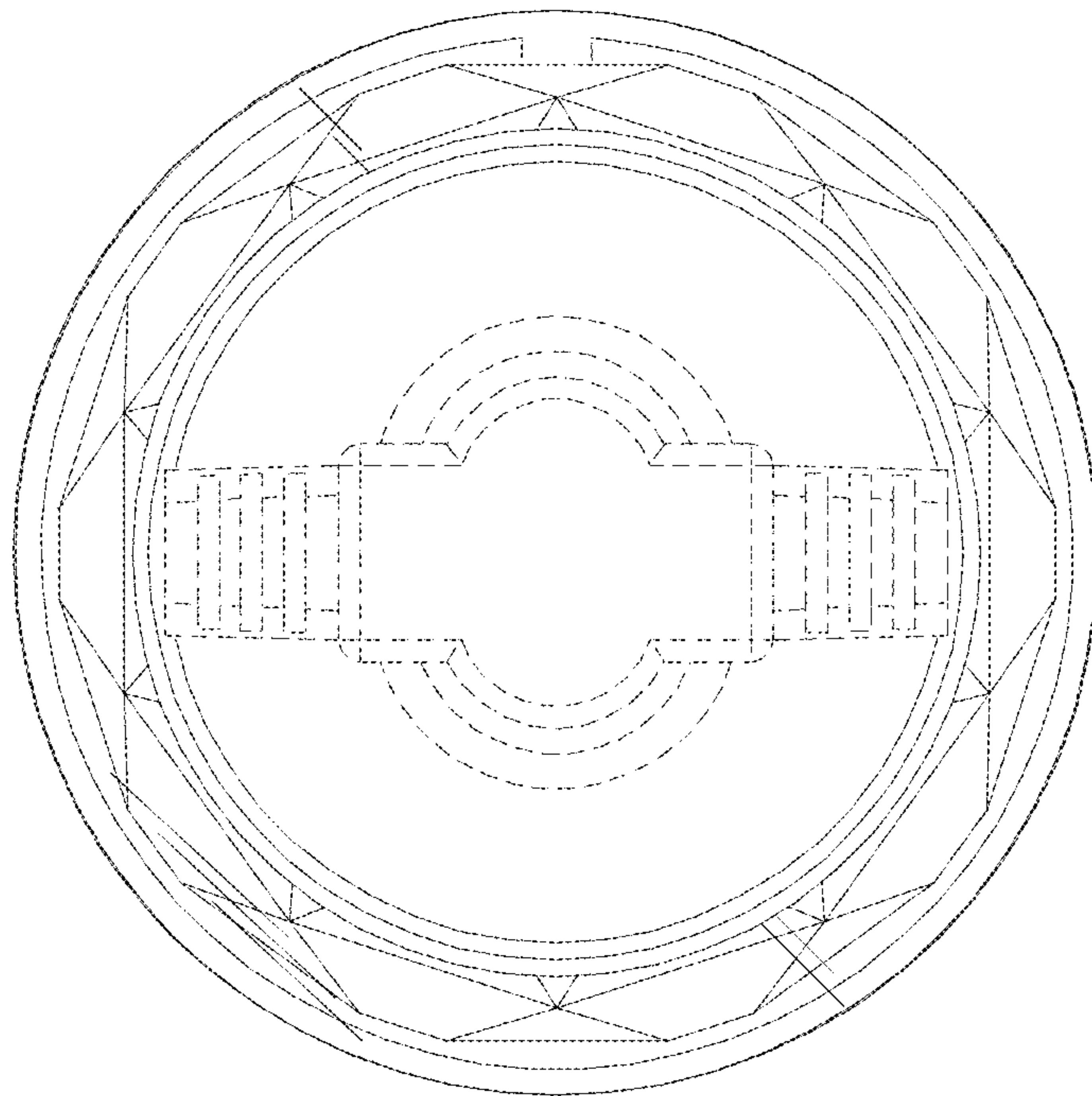


FIG. 4

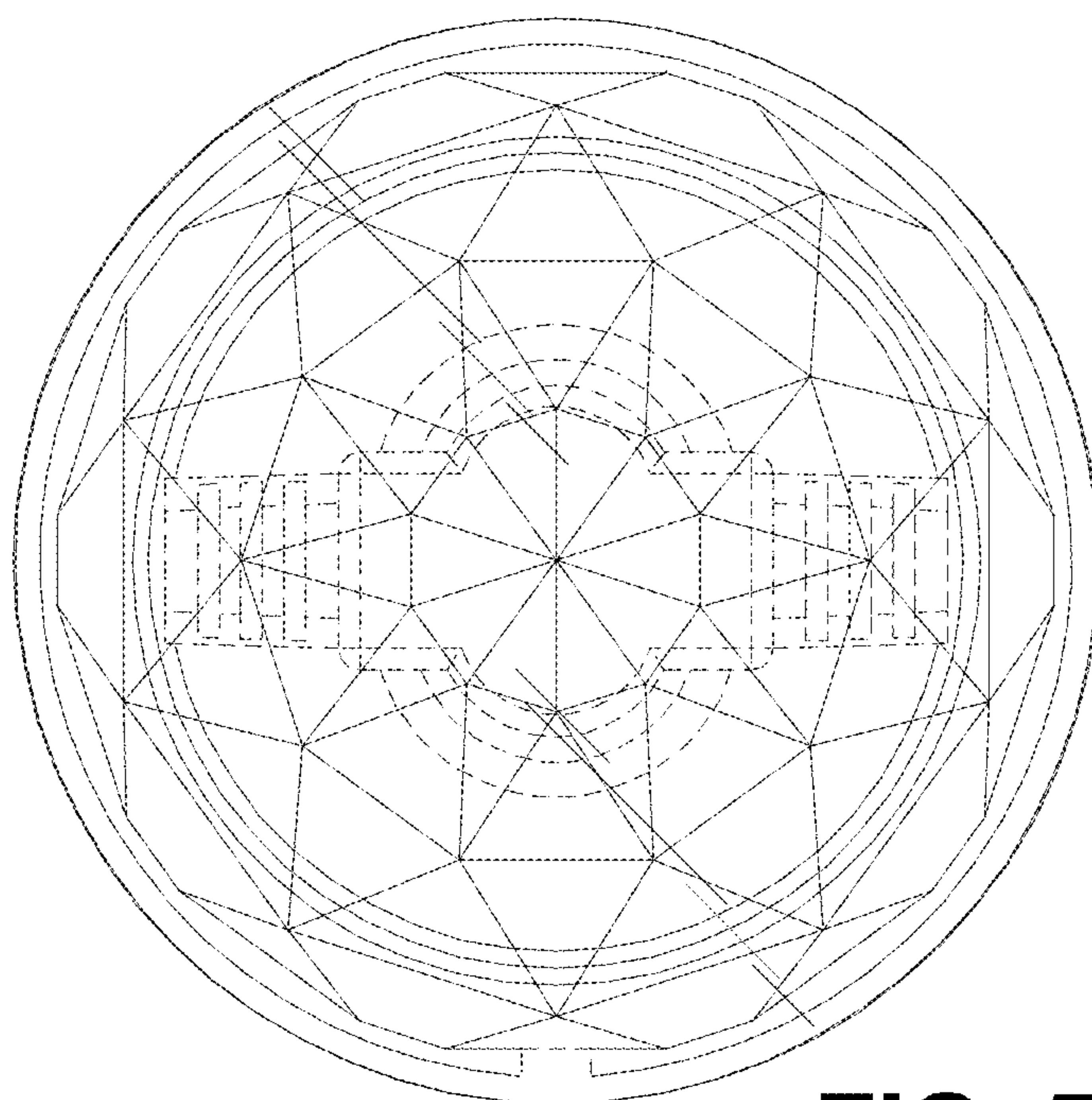


FIG. 5