



US00D828947S

(12) **United States Design Patent** (10) **Patent No.:** **US D828,947 S**
Clark et al. (45) **Date of Patent:** **** Sep. 18, 2018**

(54) **CONTROL MODULE FOR ATTACHMENT TO A LIGHTING FIXTURE**

(71) Applicant: **Hubbell Incorporated**, Shelton, CT (US)

(72) Inventors: **Adam J. Clark**, Bradenton, FL (US);
Perry Romano, Bradenton, FL (US);
Jason Edward Duckworth, Simpsonville, SC (US)

(73) Assignee: **HUBBELL INCORPORATED**, Shelton, CT (US)

(**) Term: **15 Years**

(21) Appl. No.: **29/561,967**

(22) Filed: **Apr. 21, 2016**

(51) **LOC (11) Cl.** **26-99**

(52) **U.S. Cl.**
USPC **D26/113**

(58) **Field of Classification Search**
USPC D26/1-6, 22, 72, 74, 78, 88, 89, 93, 106,
D26/113-116, 118, 120, 121, 138;
D13/169, 174; D22/117; D8/305-312
CPC A01G 13/06; C11C 5/006; F21L 17/00;
F21L 4/005; F23D 3/16; F23D 3/18;
F21V 33/0064; F41B 15/022; F41B
15/025

See application file for complete search history.

(56) **References Cited**

U.S. PATENT DOCUMENTS

D70,135 S * 5/1926 Pacent D8/311
D349,101 S * 7/1994 Schaeffer D13/158
D378,045 S * 2/1997 Lewis D8/307
D438,846 S * 3/2001 Bonn D13/174
D450,997 S * 11/2001 Brady D8/311

D635,104 S * 3/2011 Louise D13/174
D715,126 S * 10/2014 Kim D7/393
D762,593 S * 8/2016 Oneufer D13/174
9,523,491 B2 12/2016 Bailey et al.
D779,303 S * 2/2017 Shoemaker D8/311
D791,088 S * 7/2017 Oneufer D13/174
D793,199 S * 8/2017 Nilssen D8/311
9,890,931 B2 2/2018 Clark
2015/0351205 A1 12/2015 Clark et al.
2016/0320044 A1 11/2016 Romano et al.
2016/0323981 A1 11/2016 Clark et al.

* cited by examiner

Primary Examiner — Brandon M Rosati

Assistant Examiner — John A Voytek

(74) *Attorney, Agent, or Firm* — Dority & Manning, P.A.

(57) **CLAIM**

The ornamental design for a control module for attachment to a lighting fixture, as shown and described.

DESCRIPTION

FIG. 1 is a perspective view of a control module for attachment to a lighting fixture;

FIG. 2 is a side view of a control module for attachment to a lighting fixture;

FIG. 3 is a side view of a control module for attachment to a lighting fixture;

FIG. 4 is a back view of a control module for attachment to a lighting fixture;

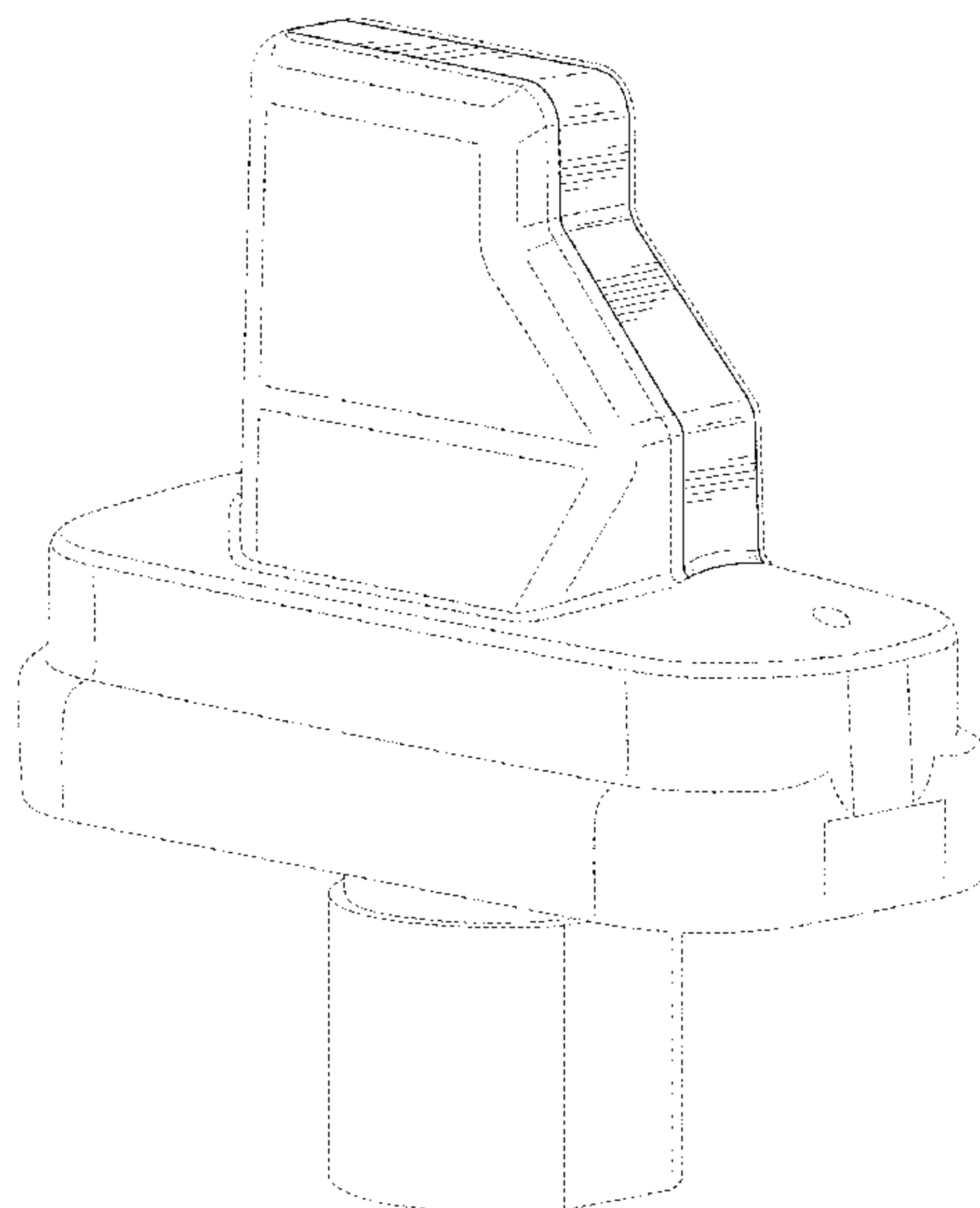
FIG. 5 is a front view of a control module for attachment to a lighting fixture;

FIG. 6 is a top view of a control module for attachment to a lighting fixture; and,

FIG. 7 is a bottom view of a control module for attachment to a lighting fixture.

In the drawings, the broken lines depict environmental subject matter only and form no part of the claimed design.

1 Claim, 7 Drawing Sheets



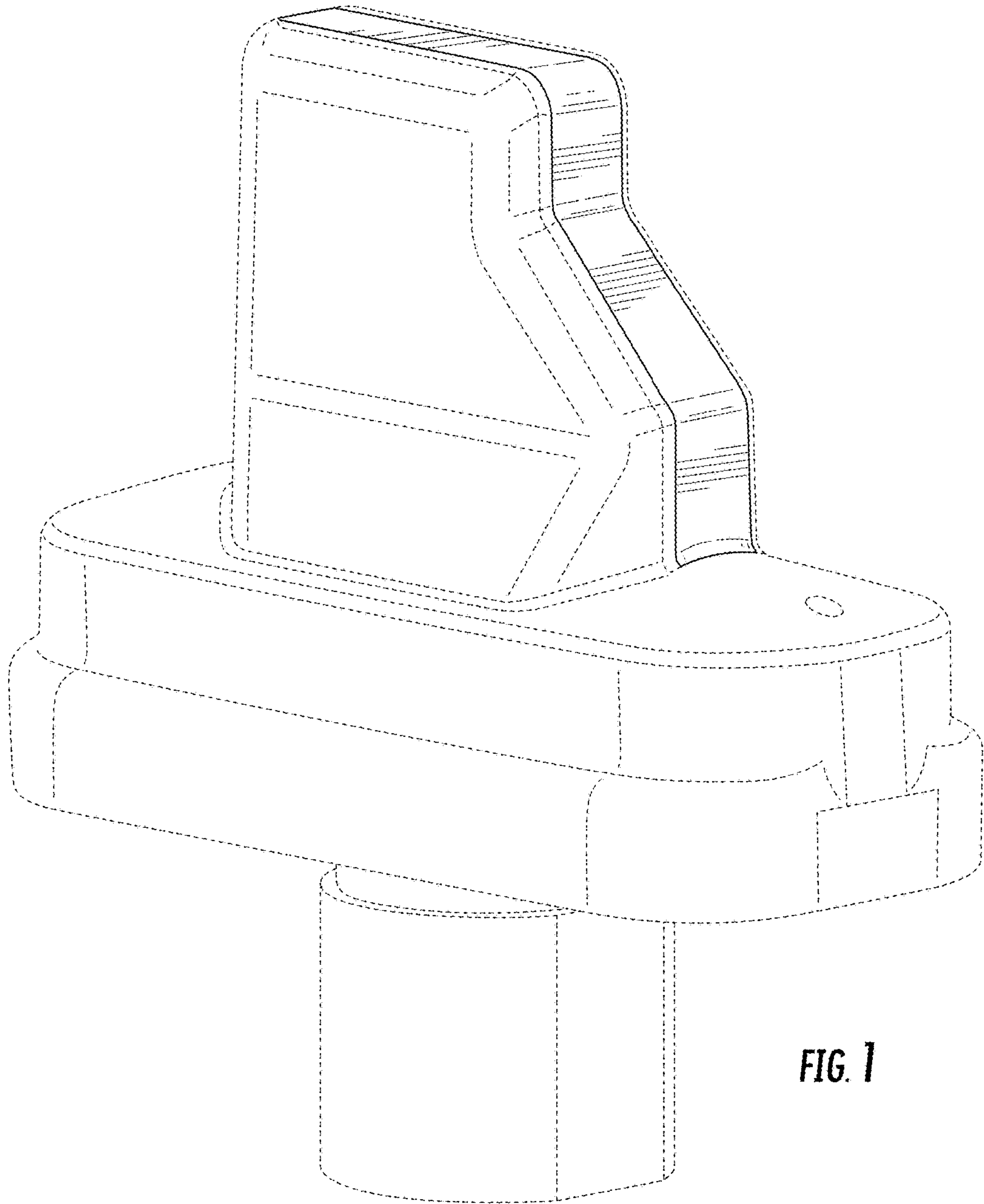


FIG. 1

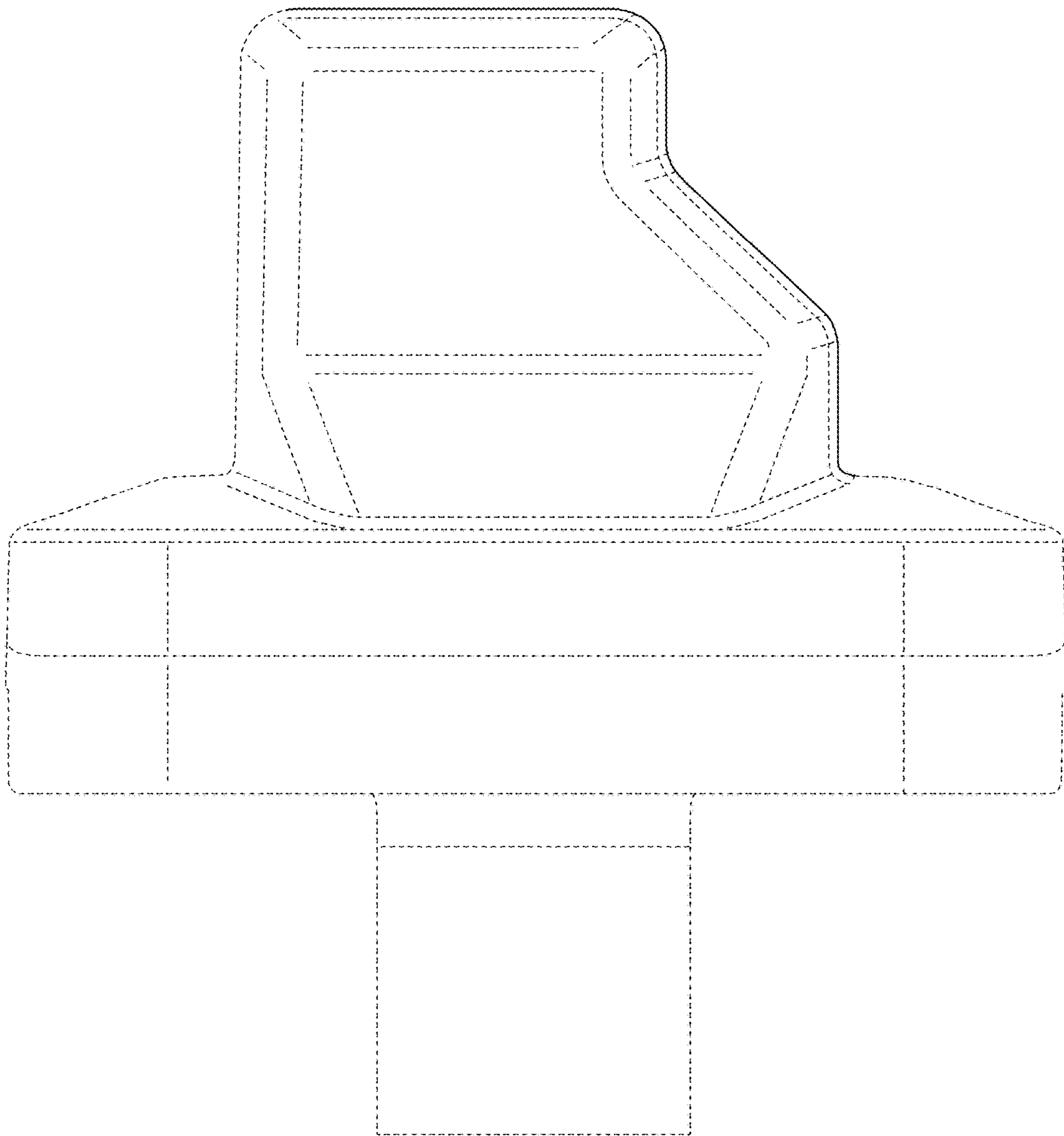


FIG. 2

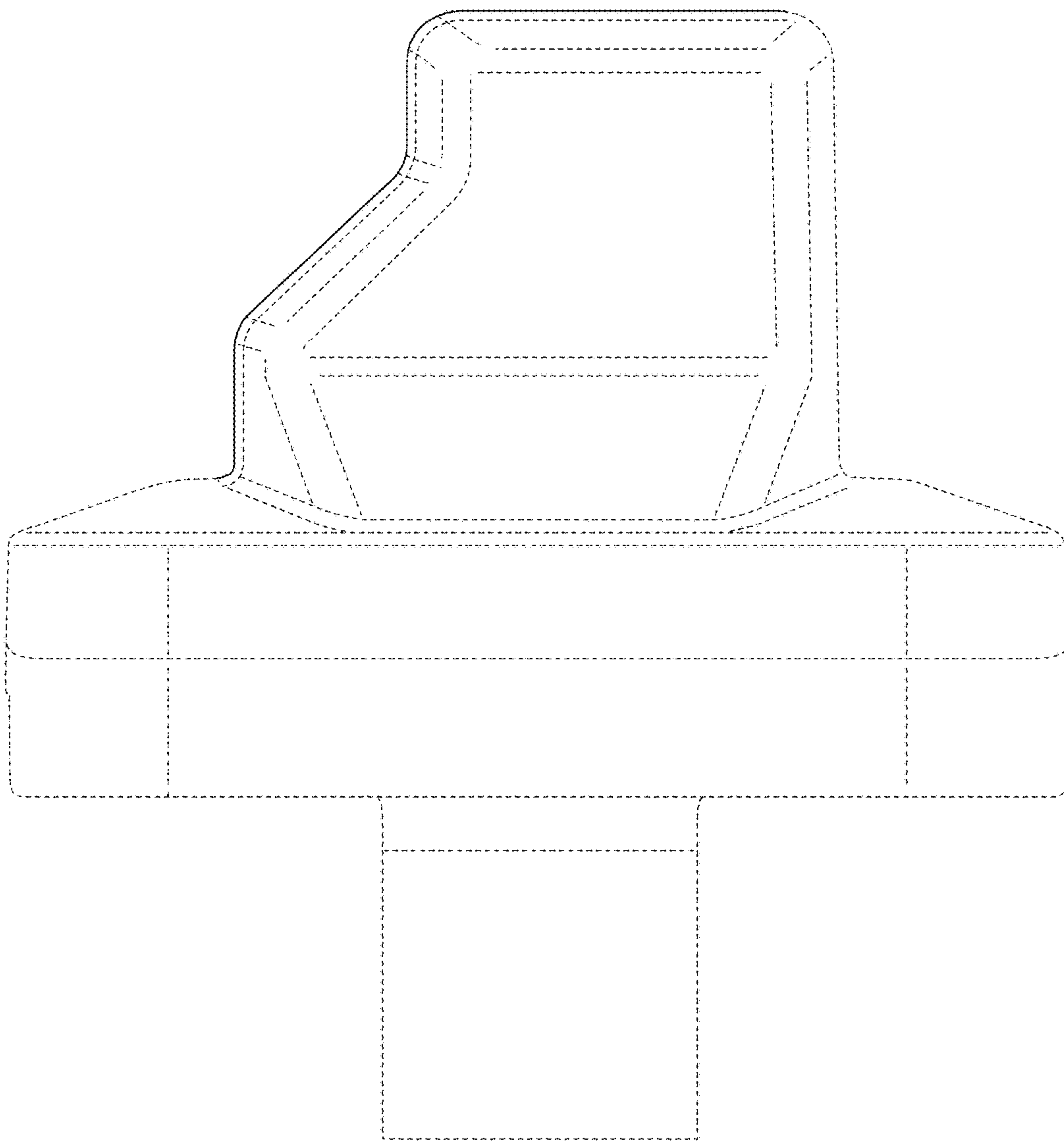


FIG. 3

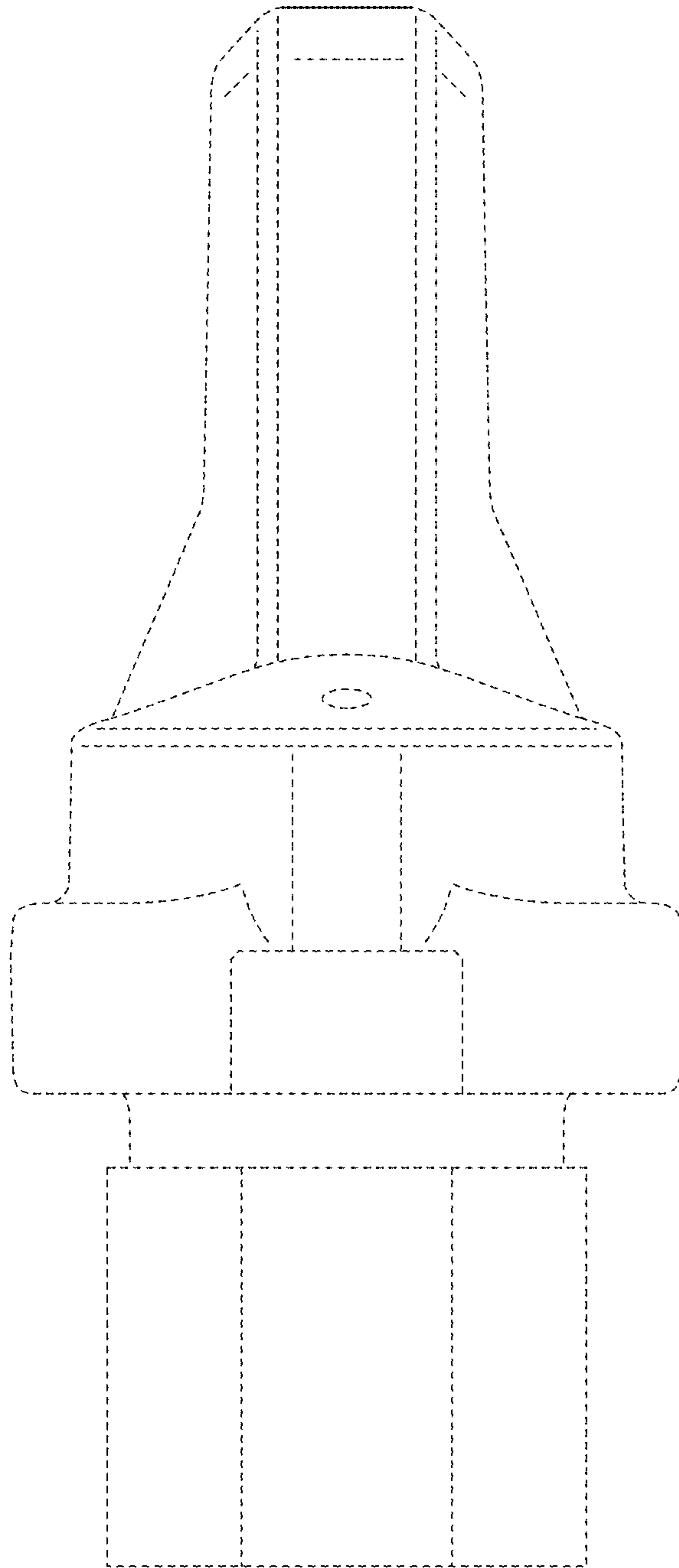


FIG. 4

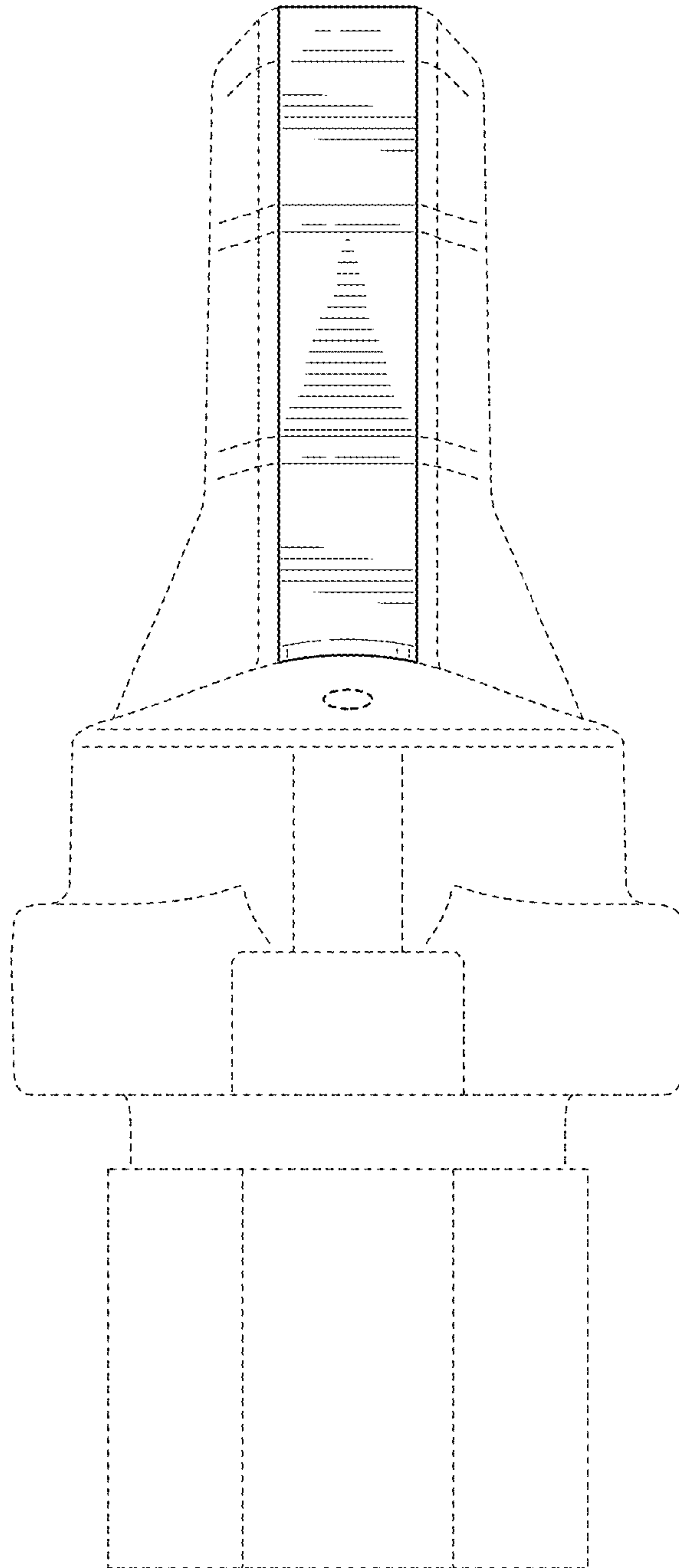


FIG. 5

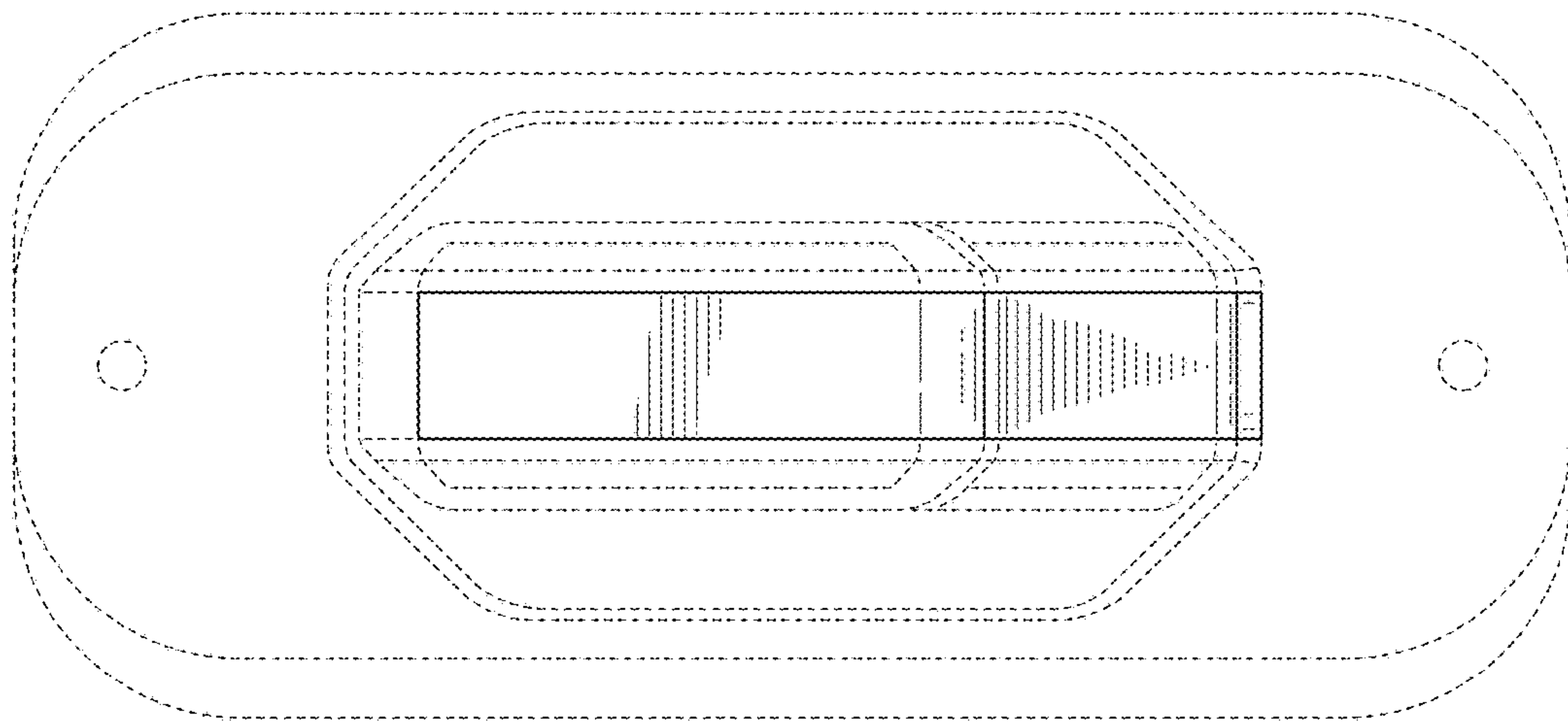


FIG. 6

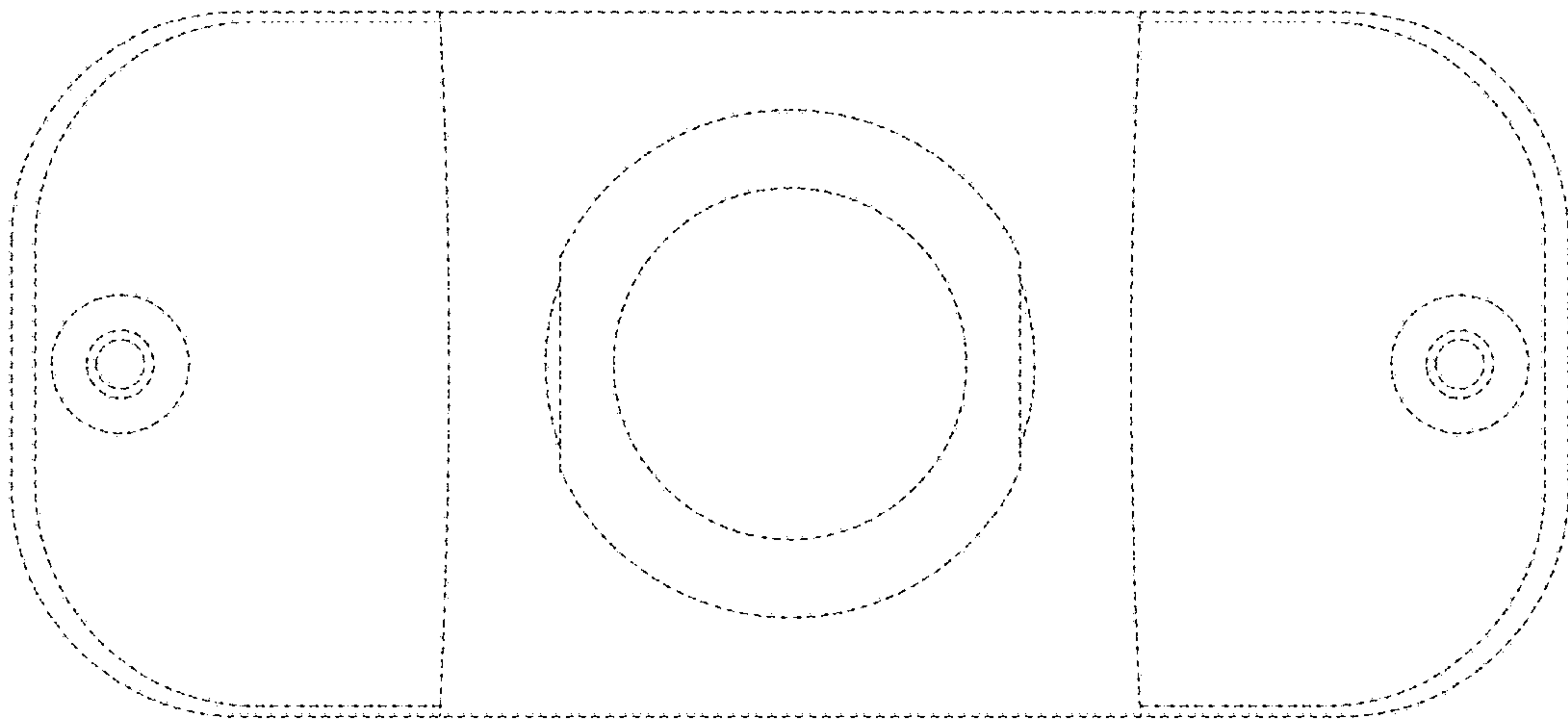


FIG. 7