



US00D828946S

(12) **United States Design Patent**
McVey et al.

(10) **Patent No.:** **US D828,946 S**
(45) **Date of Patent:** **** Sep. 18, 2018**

(54) **MULTI-SEGMENTED CORRIDOR LIGHT**

(71) Applicant: **Rauland-Borg Corporation**, Mount Prospect, IL (US)

(72) Inventors: **Patrick J. McVey**, Palatine, IL (US);
Xinyi Wang, Schaumburg, IL (US)

(73) Assignee: **Rauland-Borg Corporation**, Mount Prospect, IL (US)

(**) Term: **15 Years**

(21) Appl. No.: **29/600,090**

(22) Filed: **Apr. 10, 2017**

Related U.S. Application Data

(62) Division of application No. 29/537,099, filed on Aug. 21, 2015, now Pat. No. Des. 783,880.

(51) **LOC (11) Cl.** **26-03**

(52) **U.S. Cl.**
USPC **D26/85; D26/120**

(58) **Field of Classification Search**
USPC D26/72, 85, 87, 92, 118, 120, 122, 138,
D26/142, 145, 155
CPC F21S 8/03; F21S 8/033; F21S 8/035; F21S
8/036; F21S 8/037; F21V 1/146; F21V
3/0409; F21V 7/041; F21V 7/043; F21V
7/045; F21V 7/046; F21V 7/05; F21V
7/06

See application file for complete search history.

(56) **References Cited**

U.S. PATENT DOCUMENTS

2,293,672 A 8/1942 Bookman
D162,345 S 3/1951 Roney
2,640,913 A 6/1953 Little

(Continued)

OTHER PUBLICATIONS

Lite Source LS-1673 Checks Polished Steel 60-watt Wall Sconce With Frost Glass Shade. Date first available at amazon.com—Apr. 5, 2004. (Year: 2004).*

(Continued)

Primary Examiner — Clare E Heflin

(74) *Attorney, Agent, or Firm* — Leydig, Voit & Mayer, Ltd.

(57) **CLAIM**

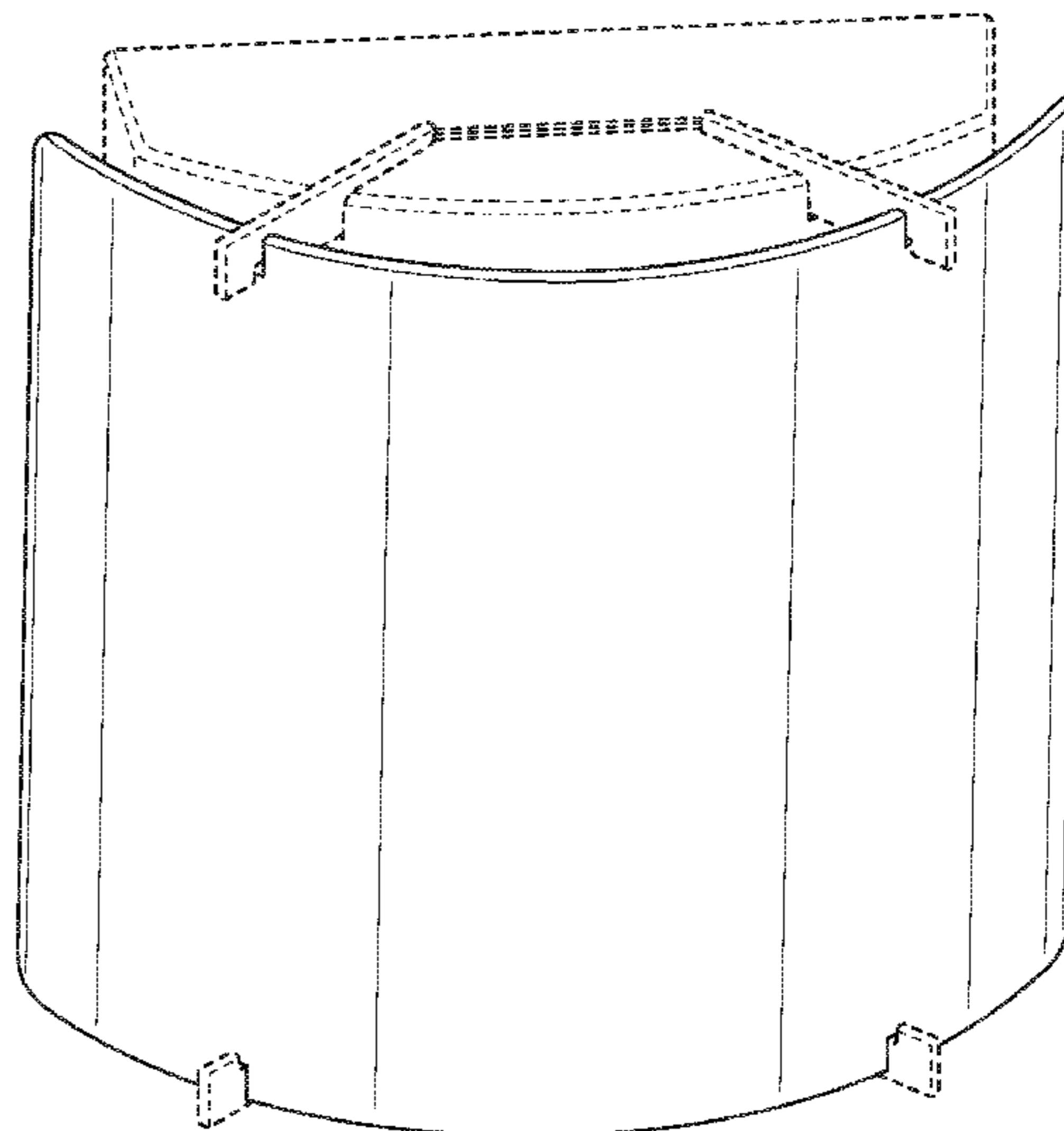
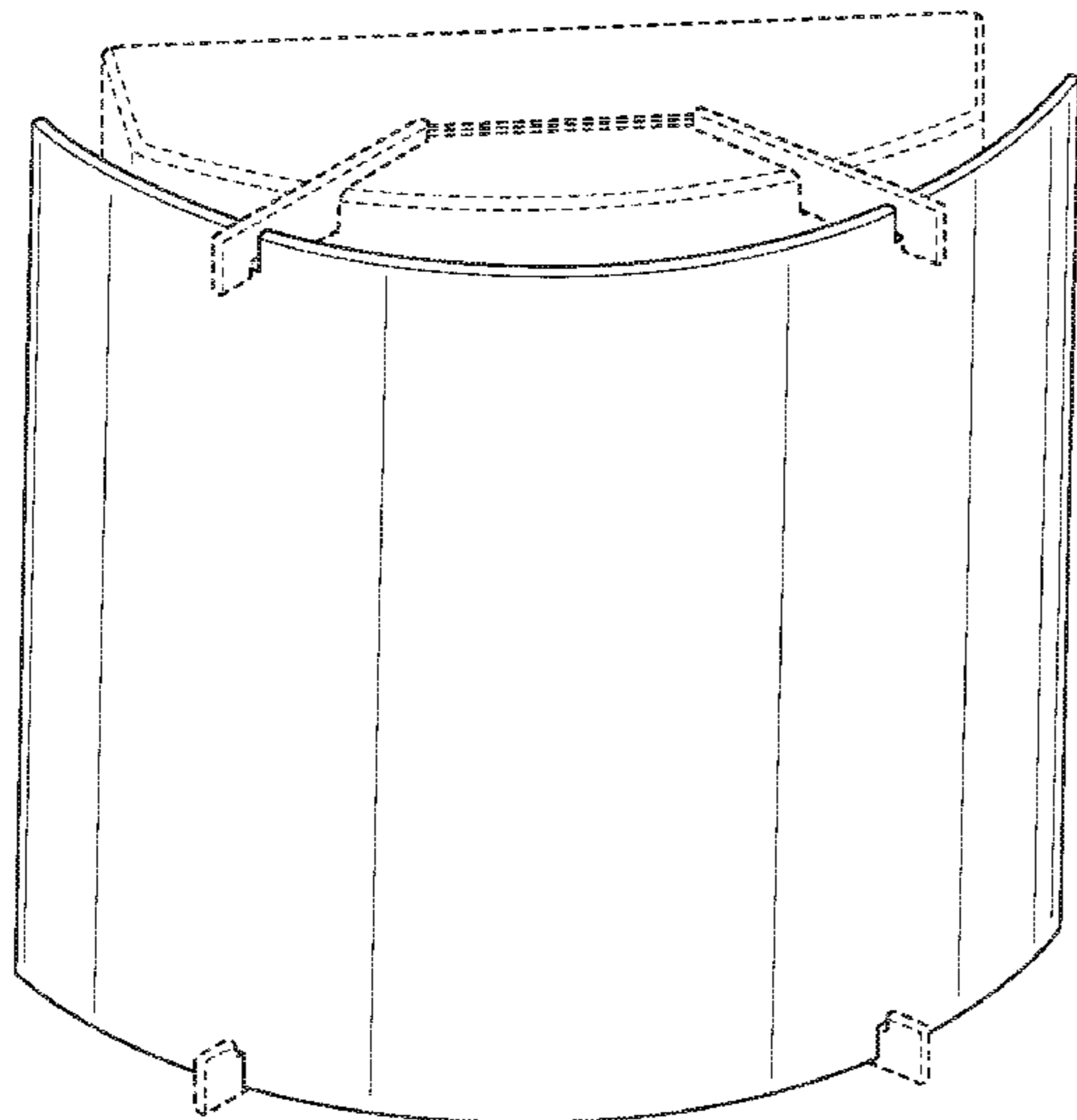
The ornamental design for a multi-segmented corridor light, as shown and described.

DESCRIPTION

FIG. 1 is a front view of a multi-segmented corridor light showing an embodiment of our new design; FIG. 2 is a top side perspective view for the multi-segmented corridor light shown in FIG. 1; FIG. 3 is a bottom side perspective view of the multi-segmented corridor light shown in FIG. 1; FIG. 4 is a left side view of the multi-segmented corridor light shown in FIG. 1, and only the left side view is provided as the right side view is a mirror image; FIG. 5 is a front view of a multi-segmented corridor light showing a second embodiment of our new design; FIG. 6 is a top side perspective view for the multi-segmented corridor light shown in FIG. 5; FIG. 7 is a bottom side perspective view of the multi-segmented corridor light shown in FIG. 5; and, FIG. 8 is a left side view of the multi-segmented corridor light shown in FIG. 5, and only the left side view is provided as the right side view is a mirror image.

The broken lines shown in the drawings represent portions of the multi-segment corridor light in each respective embodiment that form no part of the claimed design. A rear view of both embodiments has been excluded from the figures, as the rear view is flat and devoid of surface ornamentation.

1 Claim, 8 Drawing Sheets



(56)

References Cited

U.S. PATENT DOCUMENTS

2,824,216 A * 2/1958 Brennan F21V 1/00
 362/311.03
 D248,790 S * 8/1978 Castor D26/118
 D286,206 S * 10/1986 Joosten D26/76
 D421,663 S 3/2000 Von Kluck
 D448,106 S * 9/2001 Lin D26/87
 D452,031 S * 12/2001 Brunner D26/87
 D455,223 S 4/2002 Crosby
 D469,910 S * 2/2003 St-Pierre D26/85
 D483,907 S 12/2003 Chandler
 D503,241 S * 3/2005 Crosby D26/118
 D544,131 S * 6/2007 Blackman D26/85
 D589,201 S * 3/2009 Sabernig D26/118
 D601,746 S * 10/2009 Sabernig D26/120
 D609,842 S * 2/2010 Ngai D26/120
 D615,694 S * 5/2010 Boissevain D26/118
 D615,695 S * 5/2010 Boissevain D26/118
 D623,797 S * 9/2010 Boissevain D26/118
 D646,425 S 10/2011 Crosby

D697,656 S * 1/2014 Sabernig D26/122
 D713,088 S * 9/2014 Kitts D26/85
 8,827,505 B1 * 9/2014 Senkyr F21S 8/036
 362/351
 D735,928 S * 8/2015 Hawkins D26/120
 D783,880 S * 4/2017 McVey D26/85
 D796,723 S * 9/2017 Sonneman D26/120
 D796,724 S * 9/2017 Sonneman D26/85
 D797,985 S * 9/2017 Perkins D26/118

OTHER PUBLICATIONS

Eglo Grafik 1-Light Matte Nickel Wall/Ceiling Surface Mount Light Model No. 84028A. At homedepot.com as early as Sep. 30, 2014. (Year: 2014).*

Designers Fountain Lane Collection 1-Light Chrome Wall Mount Sconce With Frosted Glass, Model No. 6040-CH. At homedepot.com as early as Mar. 10, 2016. (Year: 2016).*

Possini Euro Soho 12" Wide Checkered Glass Wall Sconce. Date first available at amazon.com—Sep. 1, 2010. (Year: 2010).*

* cited by examiner

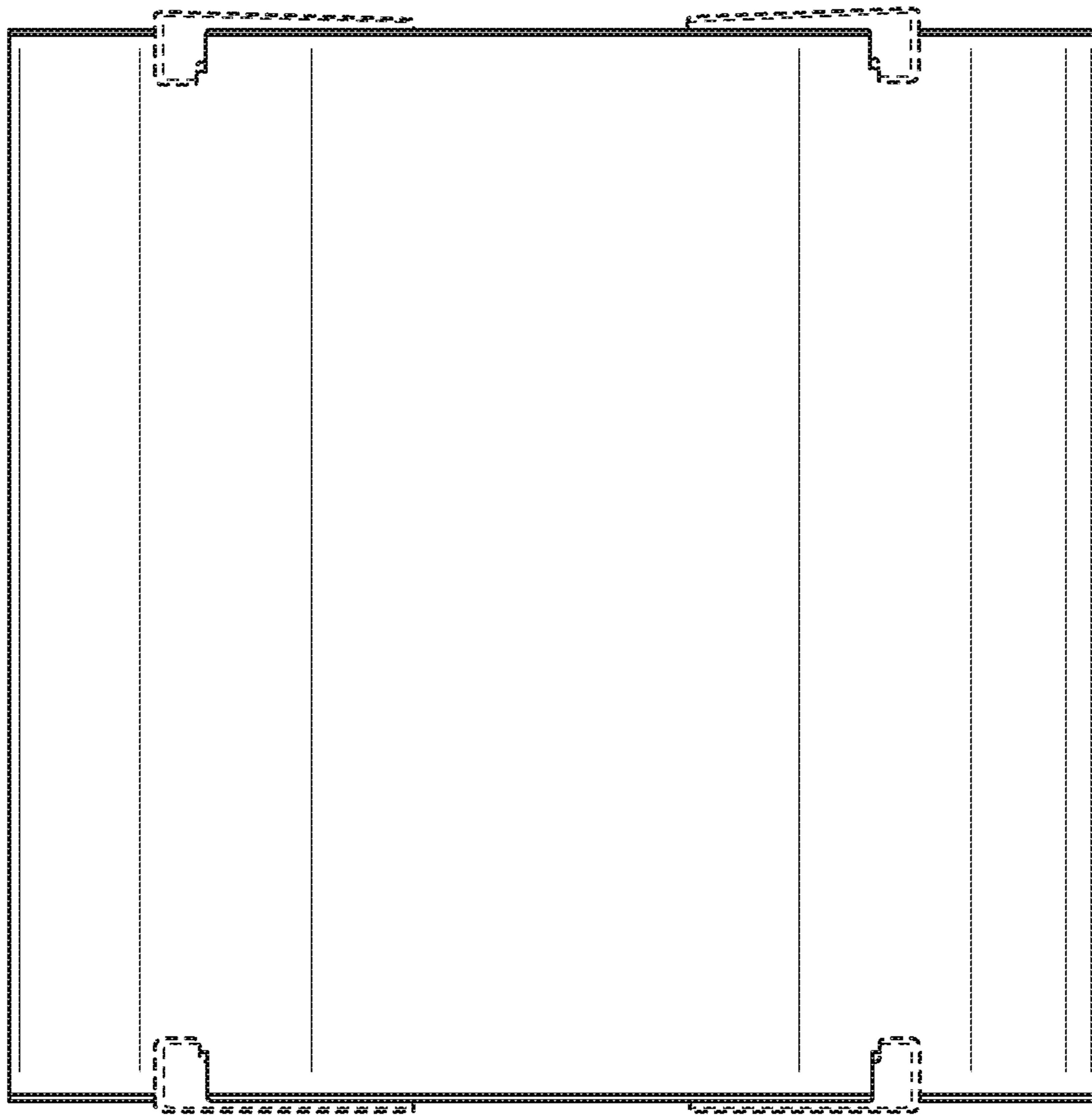


FIG. 1

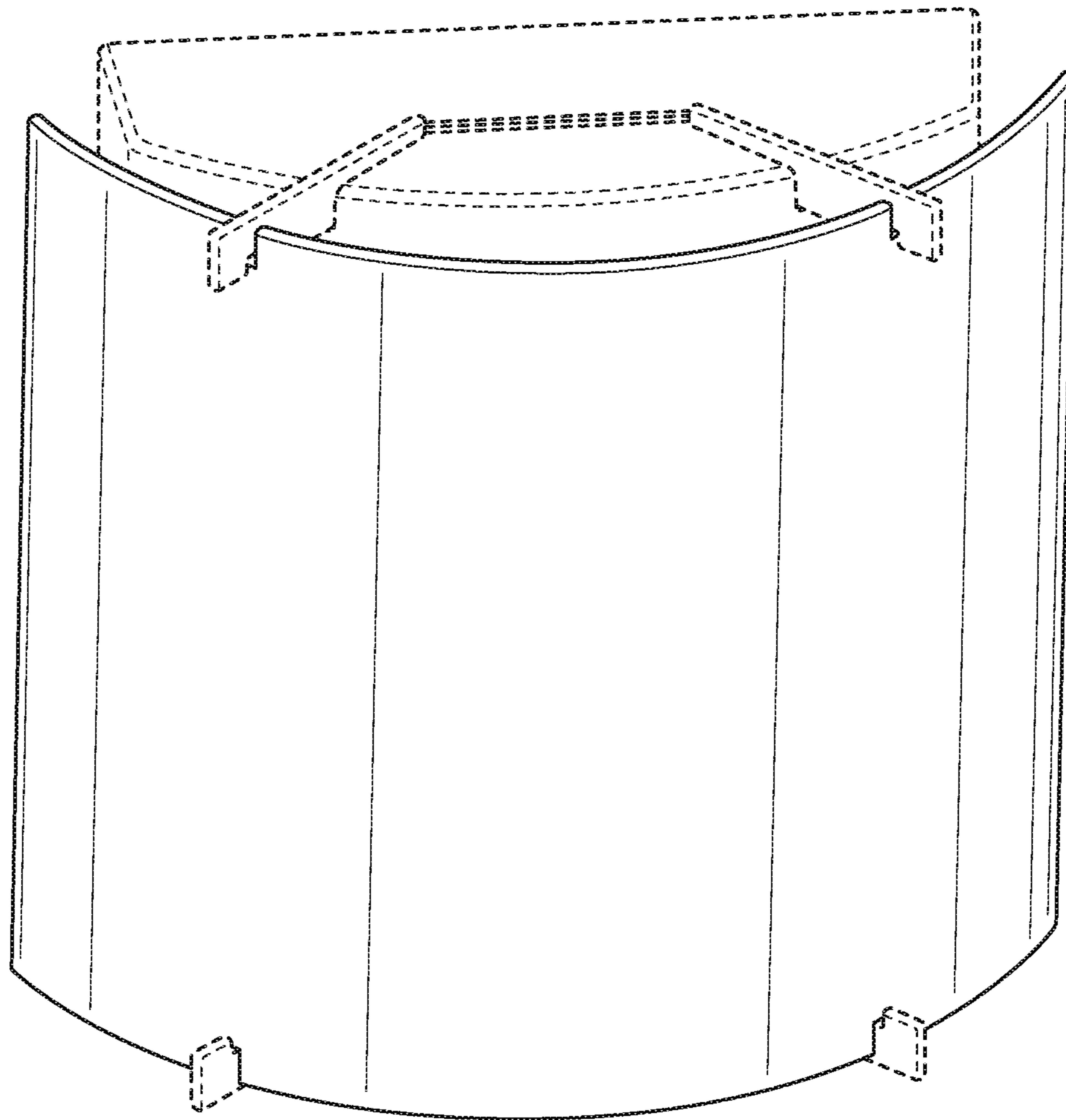


FIG. 2

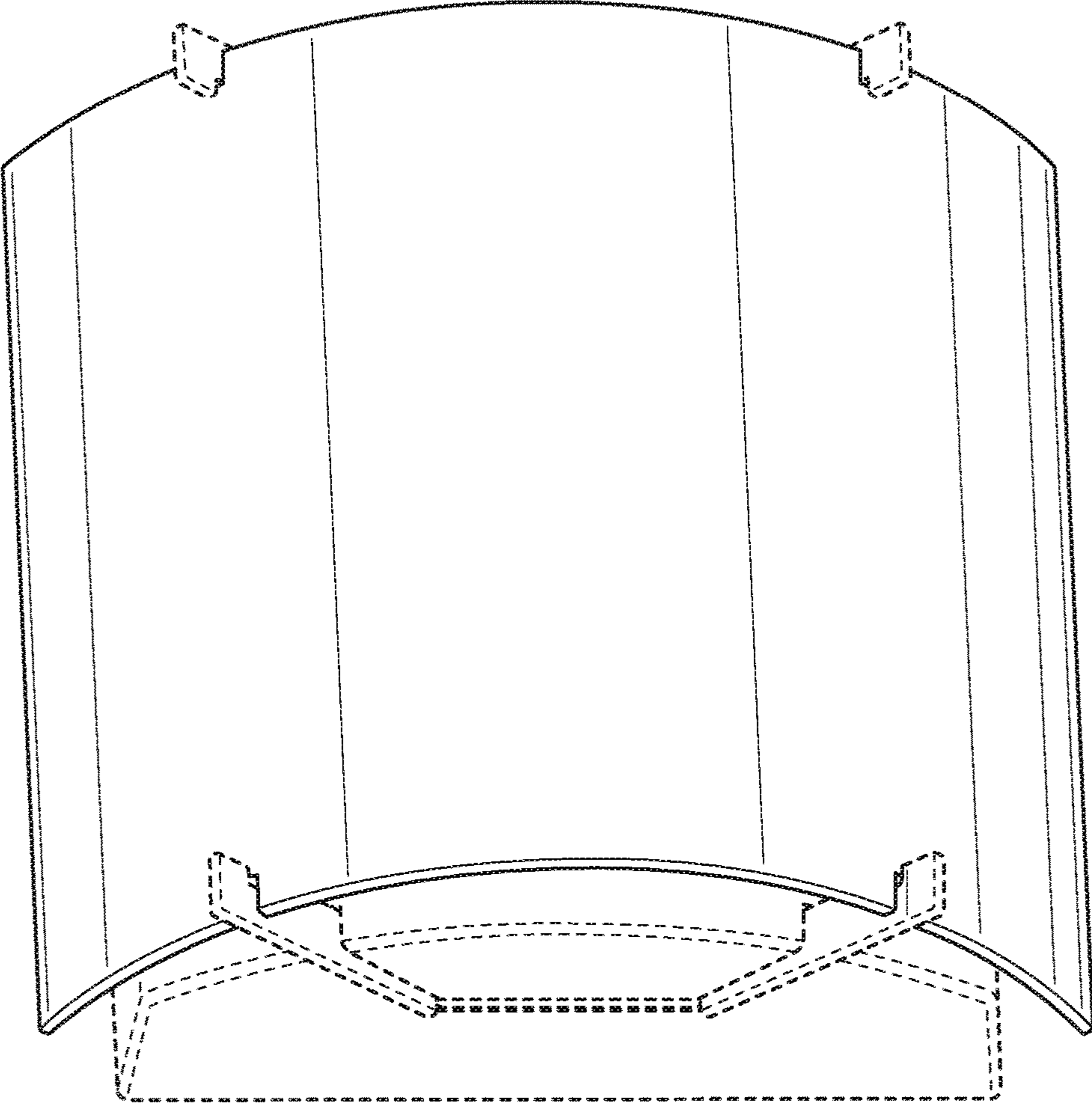


FIG. 3

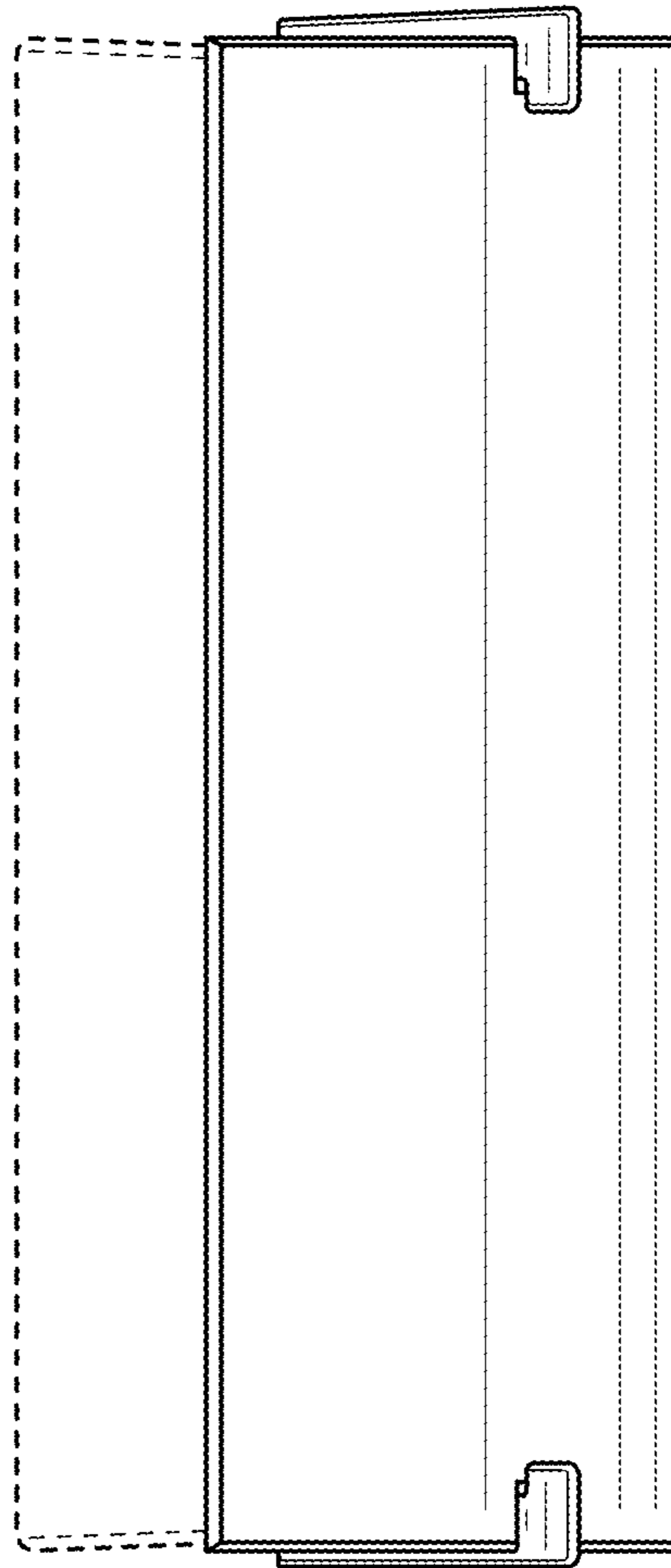


FIG. 4

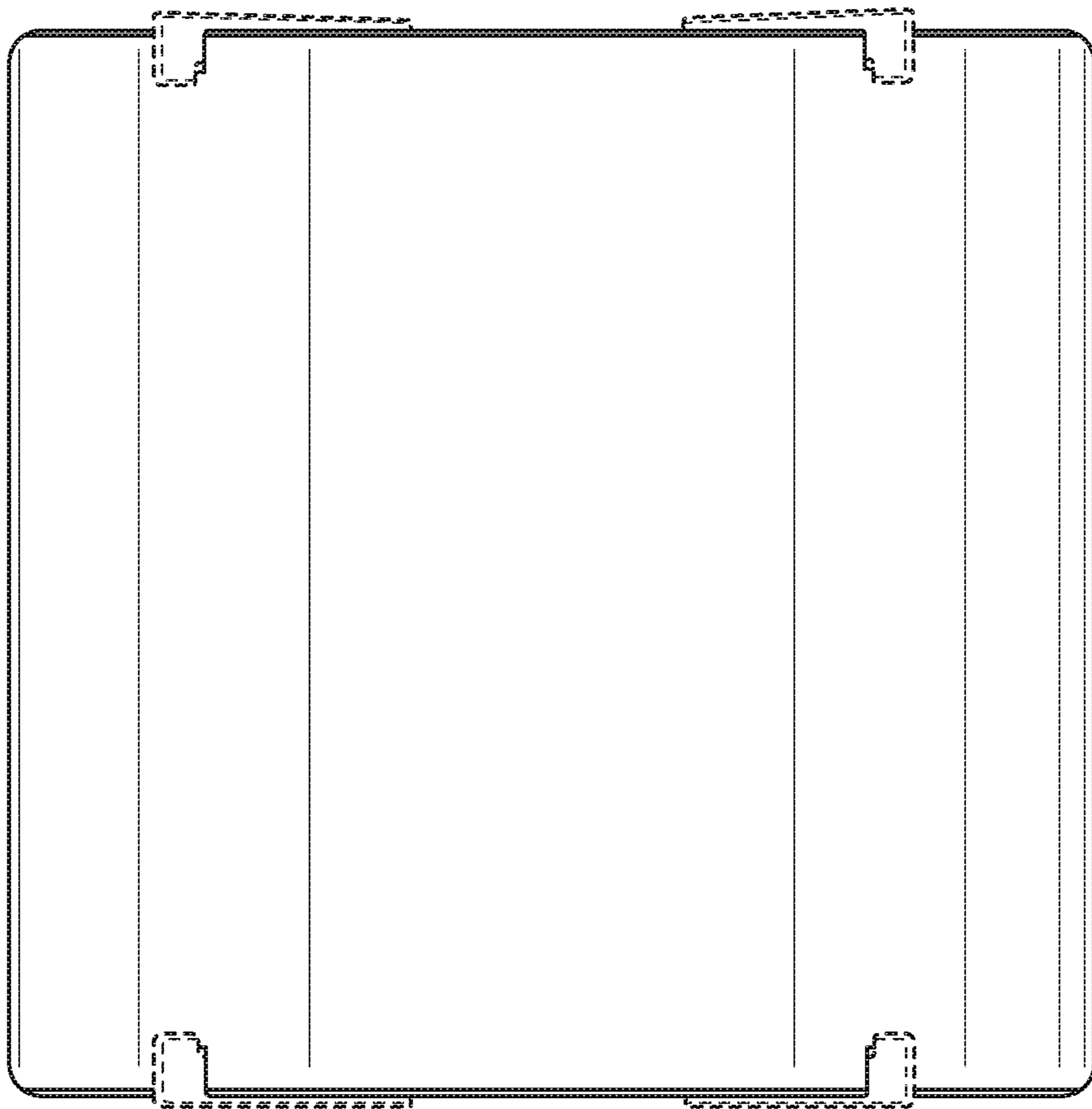


FIG. 5

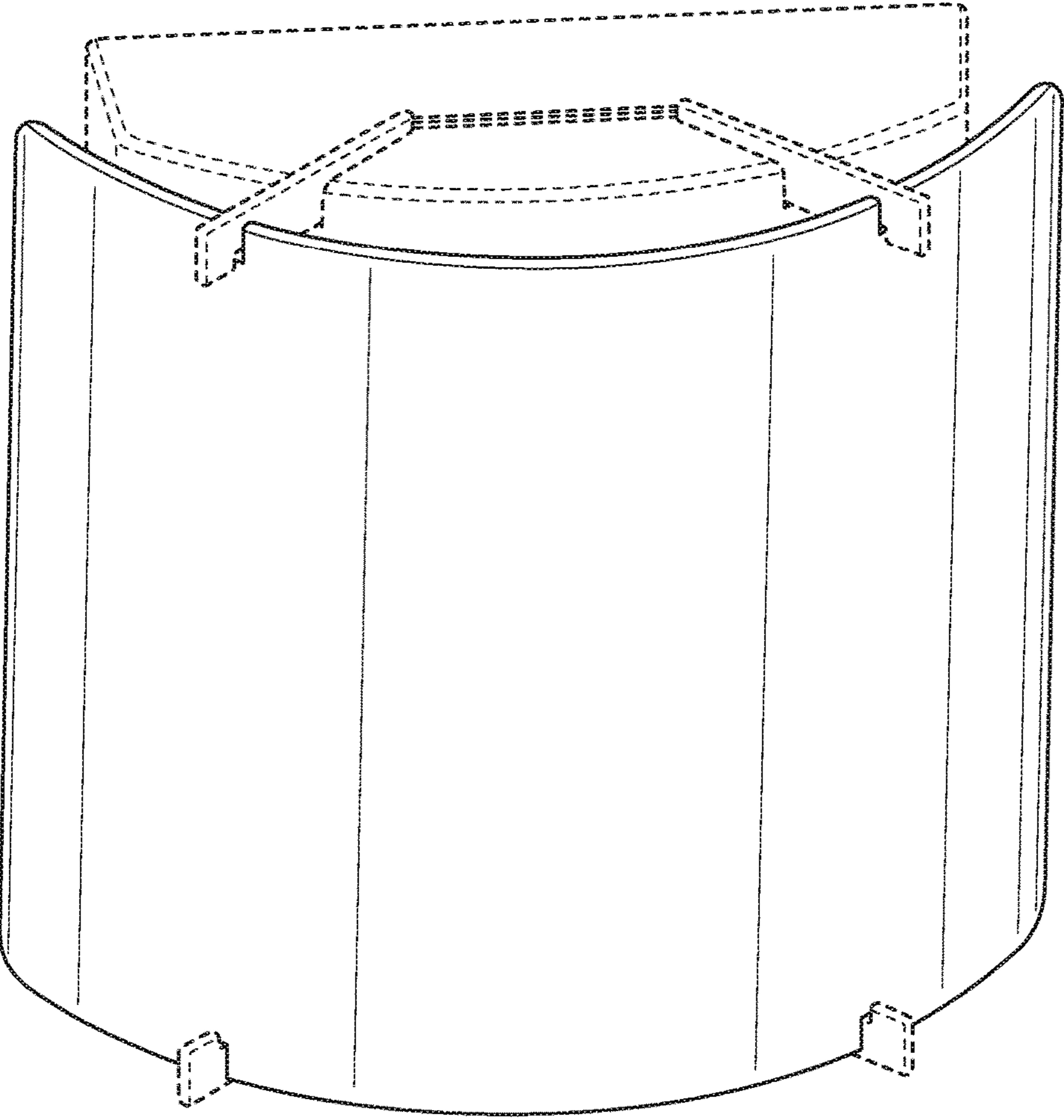


FIG. 6

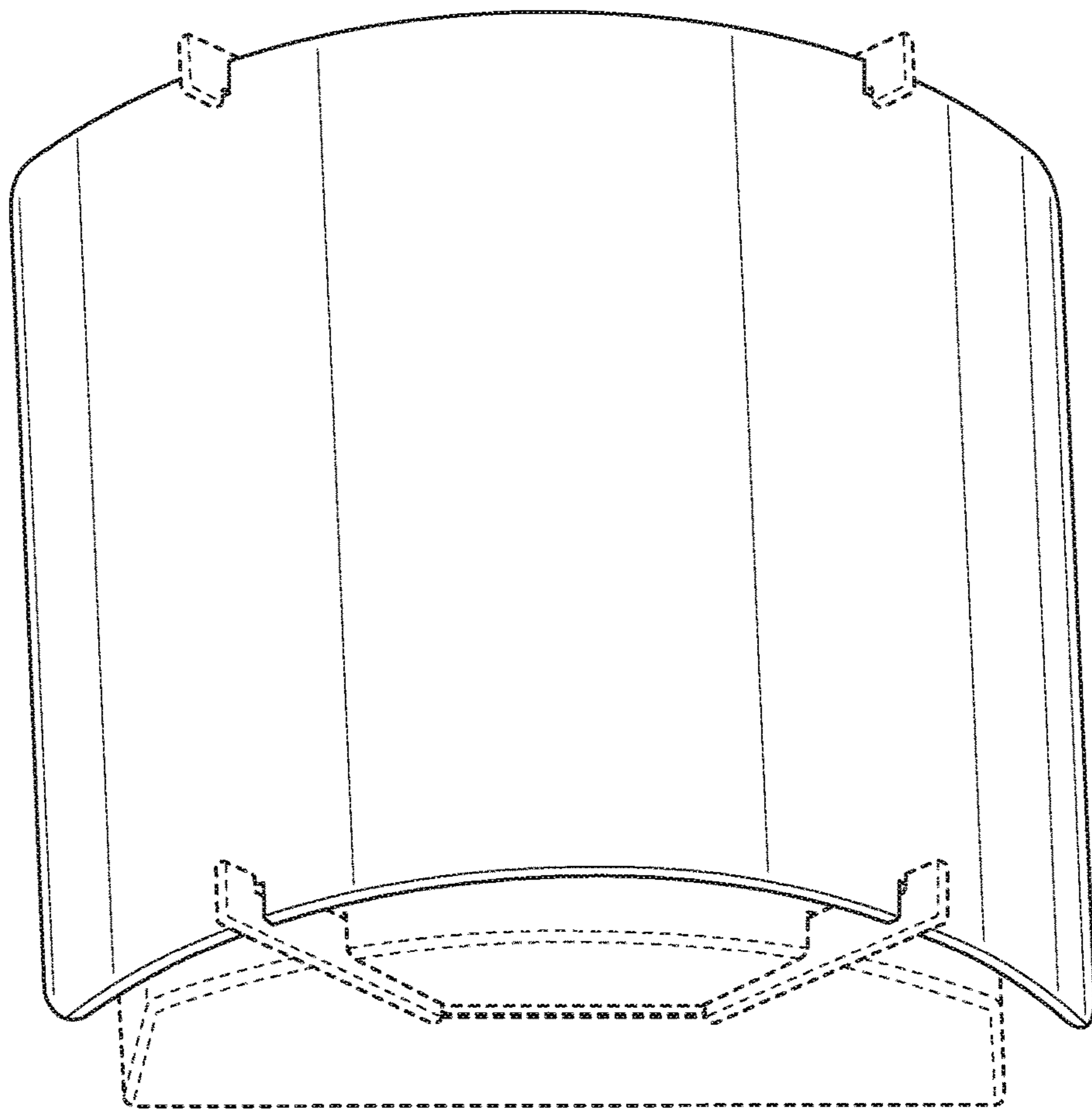


FIG. 7

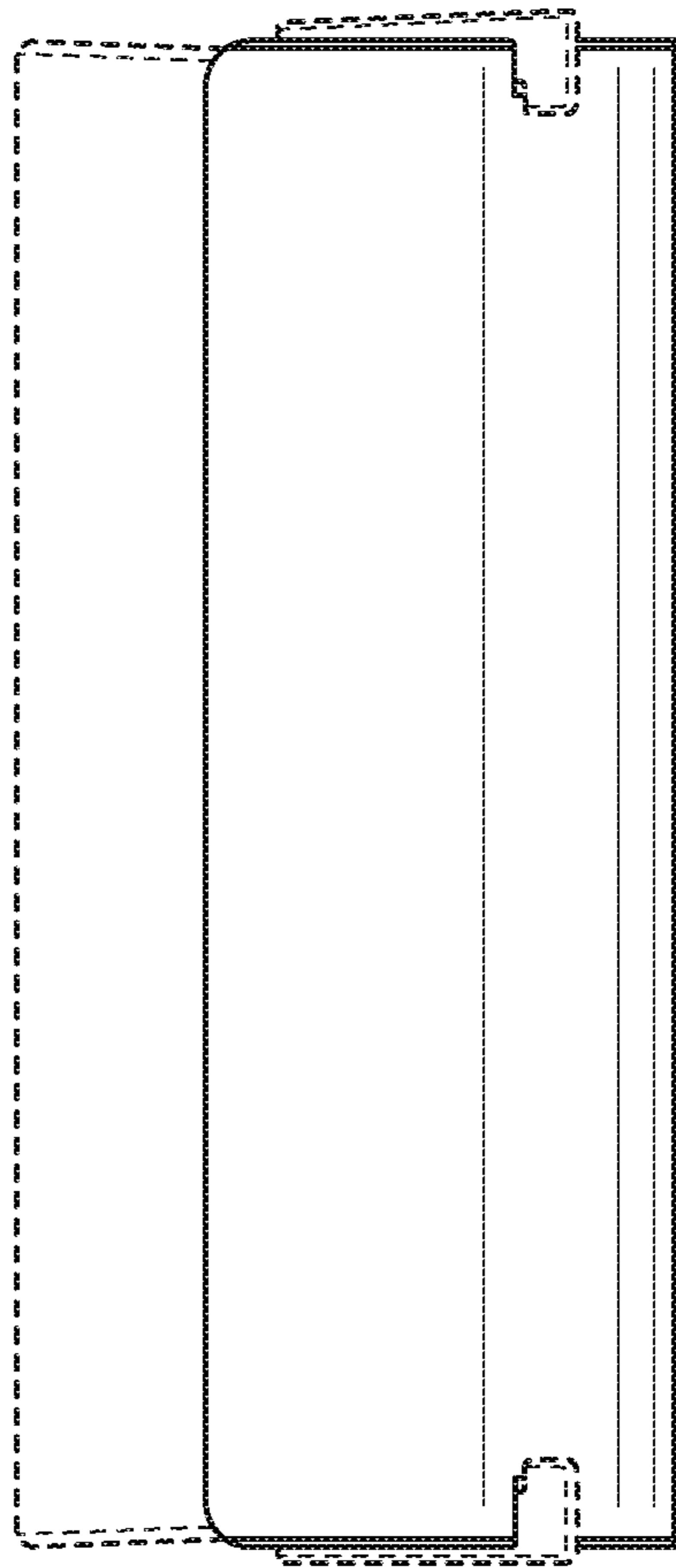


FIG. 8