



US00D828945S

(12) **United States Design Patent**  
**Crocker**

(10) **Patent No.:** **US D828,945 S**

(45) **Date of Patent:** **\*\* Sep. 18, 2018**

(54) **LAMP**

(71) Applicant: **Williams-Sonoma, Inc.**, San Francisco, CA (US)

(72) Inventor: **Justin Crocker**, New York, NY (US)

(73) Assignee: **Williams-Sonoma, Inc.**, San Francisco, CA (US)

(\*\*) Term: **15 Years**

(21) Appl. No.: **29/616,679**

(22) Filed: **Sep. 7, 2017**

(51) **LOC (11) Cl.** ..... **26-03**

(52) **U.S. Cl.**  
USPC ..... **D26/81**

(58) **Field of Classification Search**  
USPC ..... D26/72, 80, 81, 82, 83, 84, 85, 86, 88,  
D26/91

CPC ..... F21S 8/03; F21S 8/04; F21S 8/043; F21S  
8/046; F21S 8/06; F21S 8/061; F21S  
8/063; F21S 8/065

See application file for complete search history.

(56) **References Cited**

**U.S. PATENT DOCUMENTS**

D252,532 S *	7/1979	Glassman	.....	D26/80
4,161,021 A *	7/1979	George, Jr.	.....	H01K 7/06 362/235
D252,594 S *	8/1979	Glassman	.....	D26/80
D541,970 S *	5/2007	Blackman	.....	D26/81
D620,178 S *	7/2010	Sabernig	.....	D26/84
D674,955 S *	1/2013	Sonneman	.....	D26/88

D719,698 S *	12/2014	Mollaghaffari	.....	D26/81
D760,938 S *	7/2016	Dixon	.....	D26/81
D793,605 S *	8/2017	Cartwright	.....	D26/81
D806,304 S *	12/2017	Amato	.....	D26/81
D806,305 S *	12/2017	Amato	.....	D26/81
D812,800 S *	3/2018	Martin	.....	D26/81
D819,866 S *	6/2018	Amato	.....	D26/81

**OTHER PUBLICATIONS**

Replica Jason Miller Modo Chandelier by Lucretia Lighting. Found at theblockshop.com visited Jul. 23, 2018. (Year: 2018).\*

\* cited by examiner

*Primary Examiner* — Clare E Heflin

(74) *Attorney, Agent, or Firm* — Cook Alex Ltd.; R. Blake Johnston

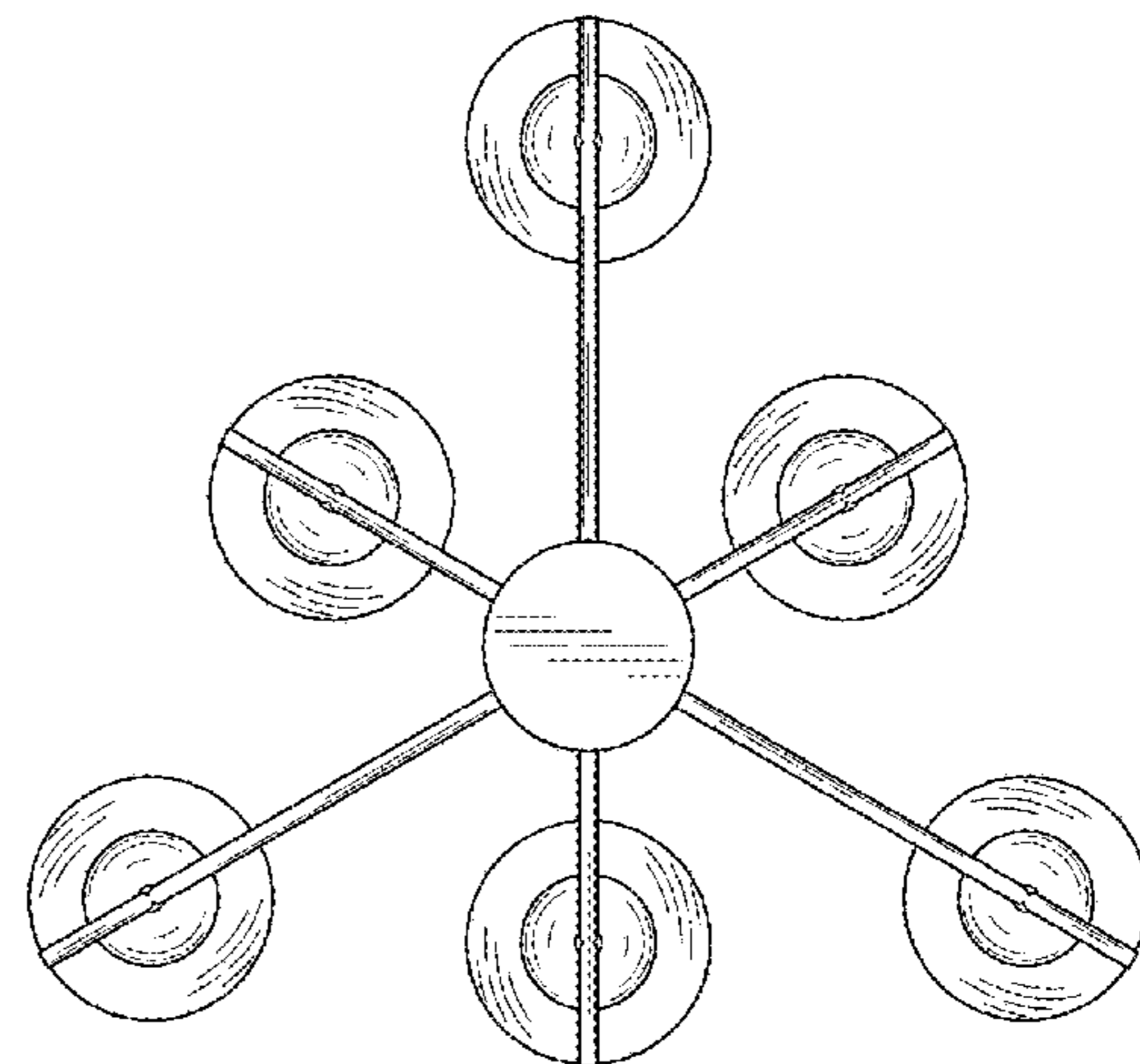
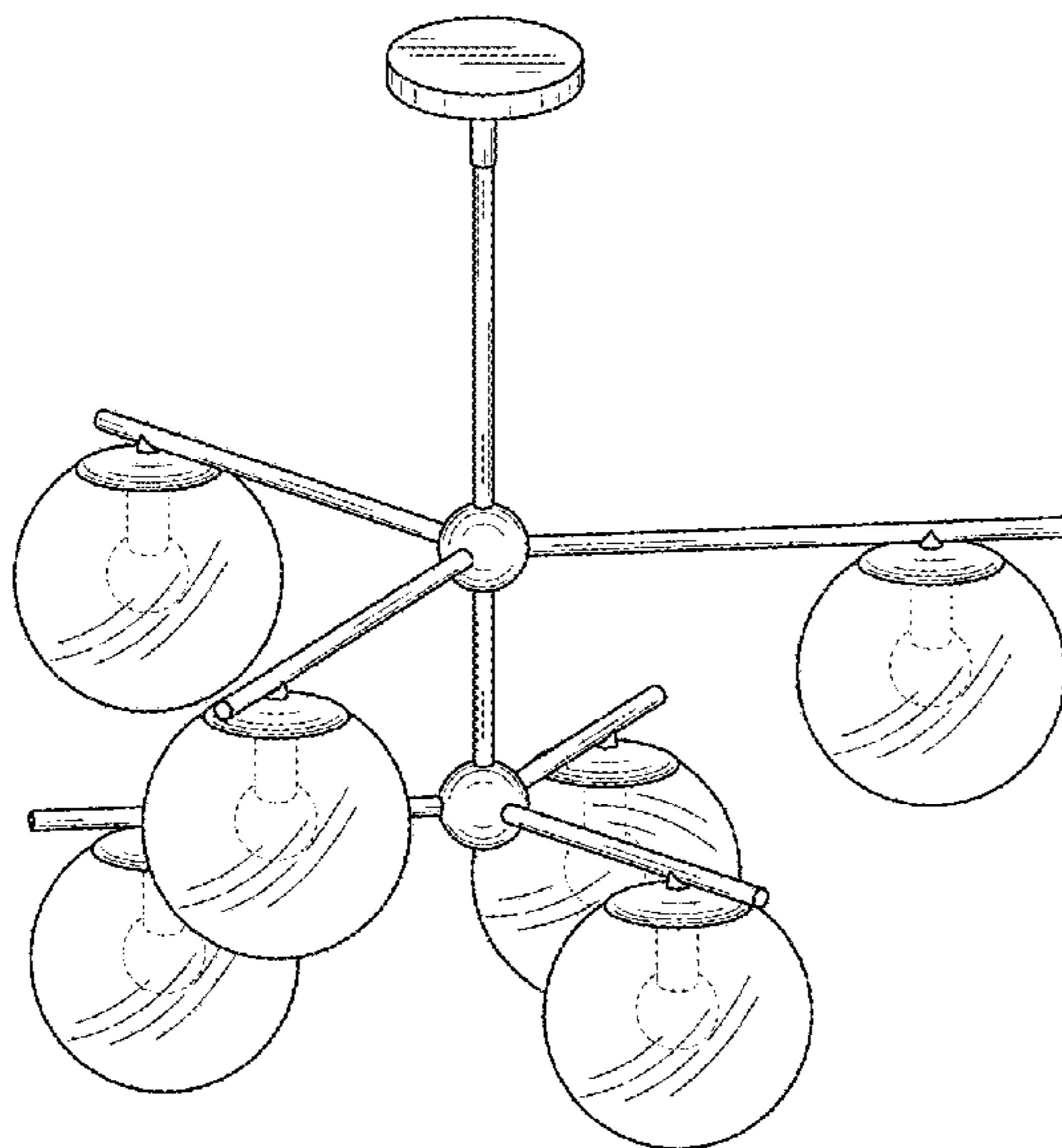
(57) **CLAIM**

The ornamental design for a lamp, as shown and described.

**DESCRIPTION**

FIG. 1 is a perspective view of the lamp;  
FIG. 2 is a front elevational view of the lamp;  
FIG. 3 is a rear elevational view of the lamp;  
FIG. 4 is a left side elevational view of the lamp;  
FIG. 5 is a right side elevational view of the lamp;  
FIG. 6 is a top plan view of the lamp; and,  
FIG. 7 is a bottom plan view of the lamp.  
The broken lines shown in the drawings are for illustrative purposes only and form no part of the claimed design.

**1 Claim, 4 Drawing Sheets**



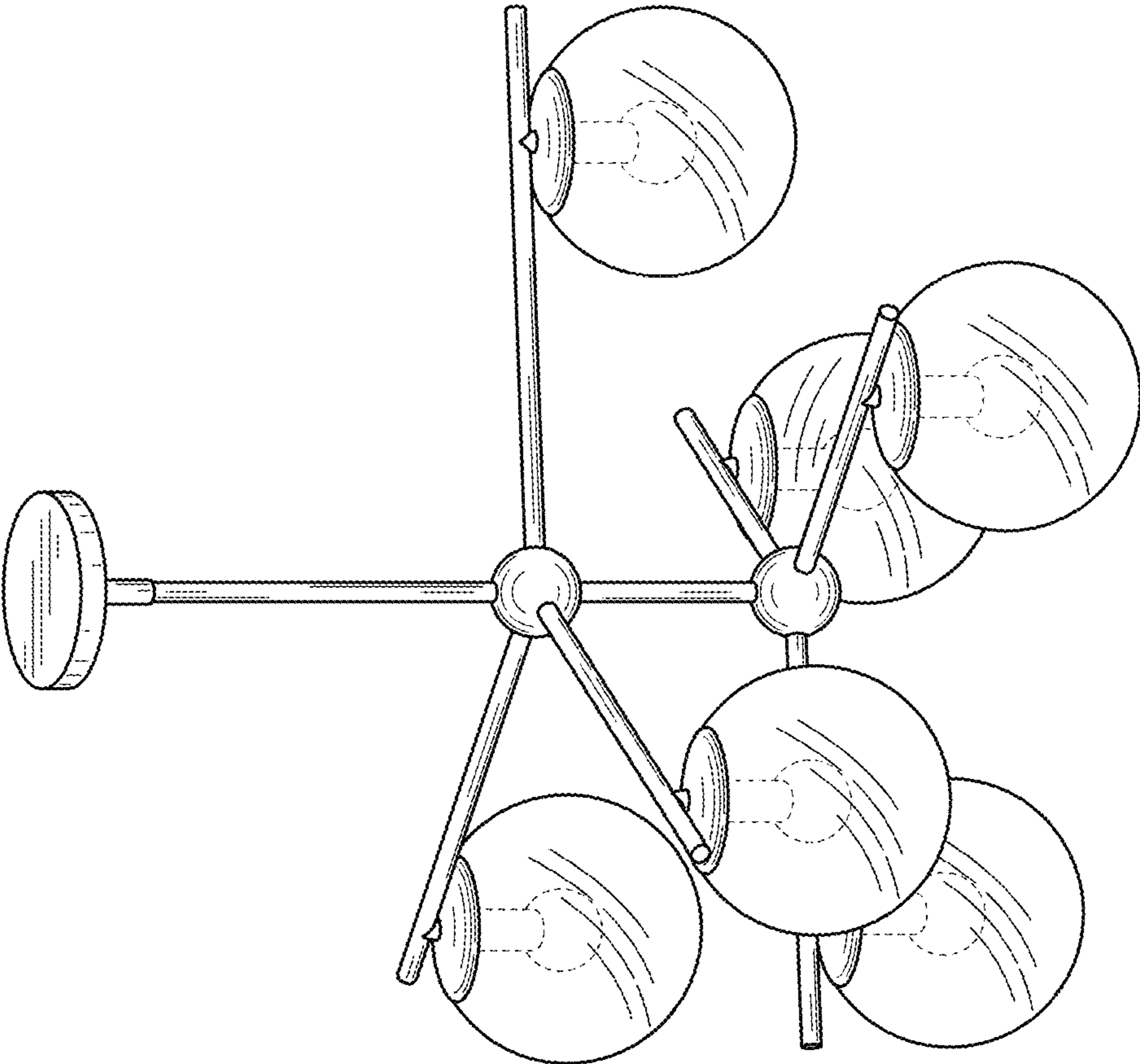


FIG. 1

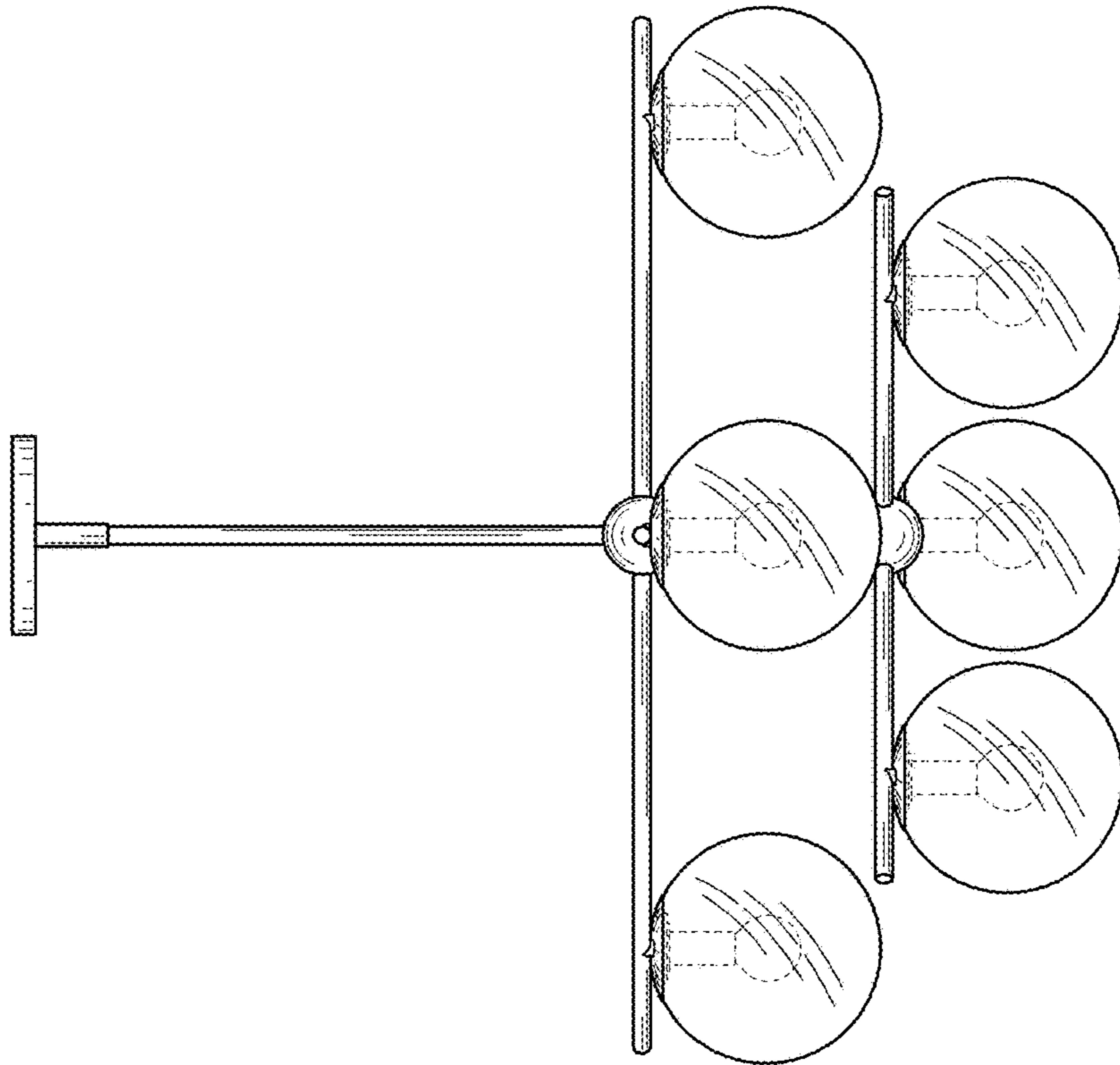


FIG. 3

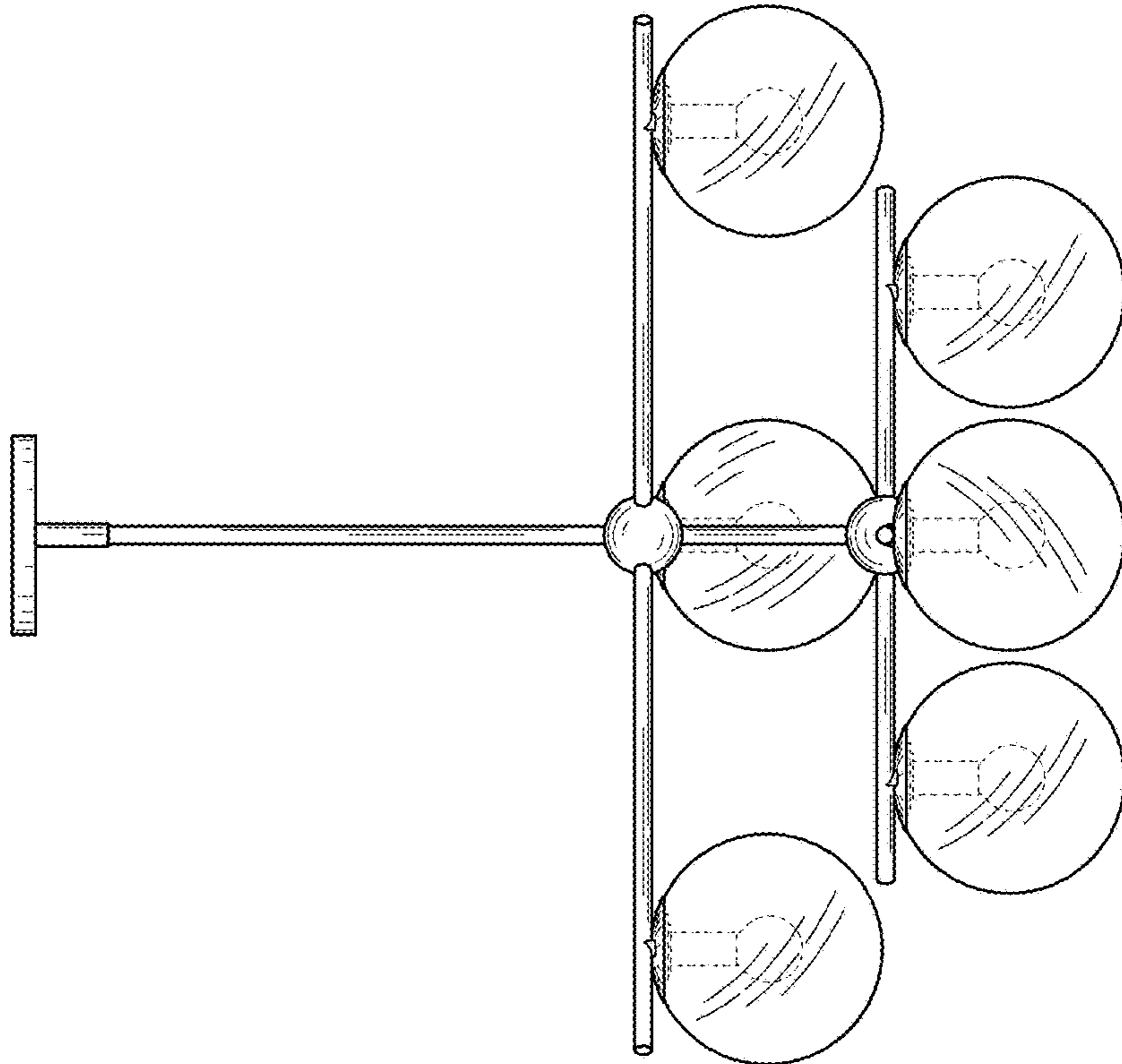


FIG. 2

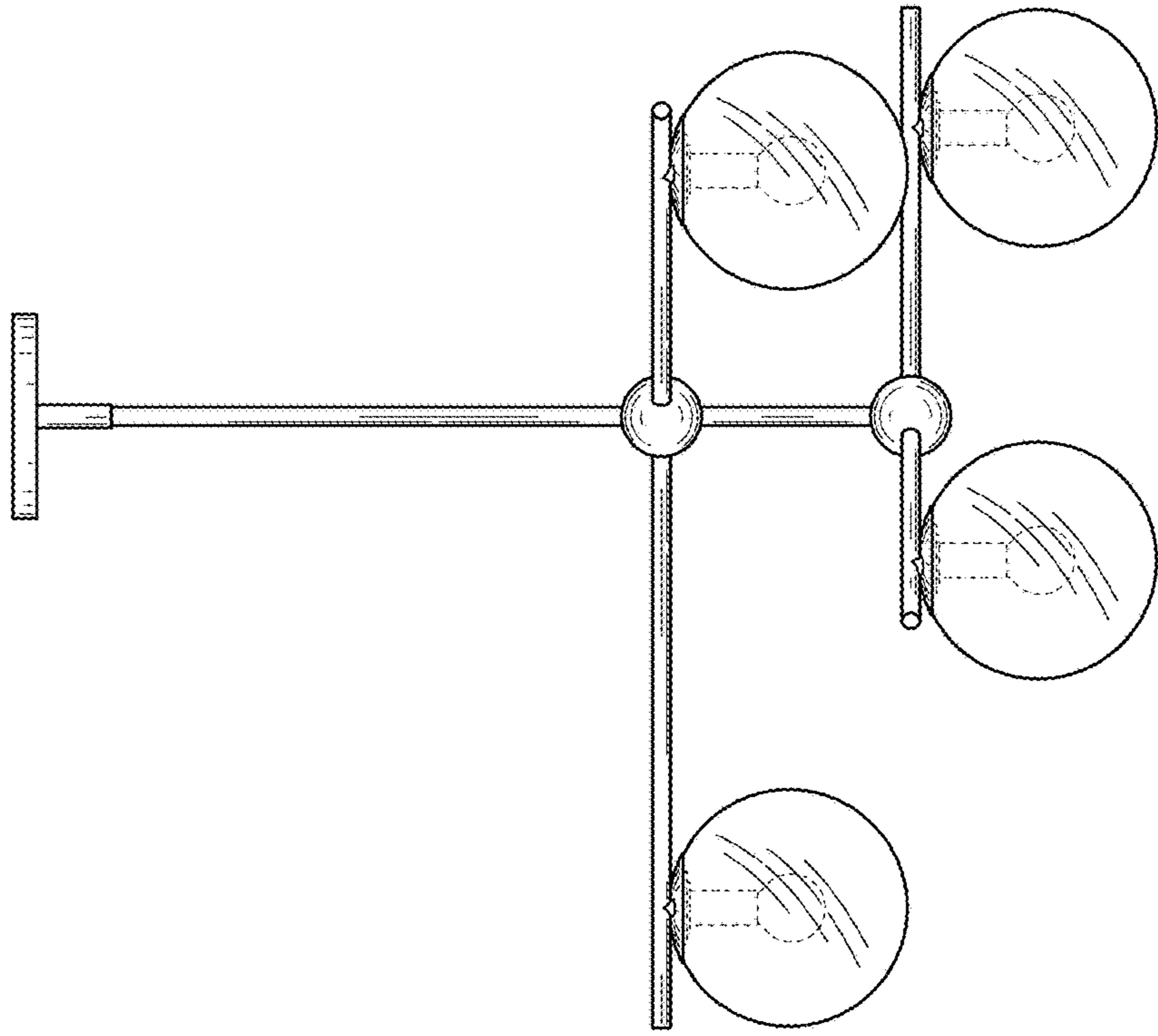


FIG. 5

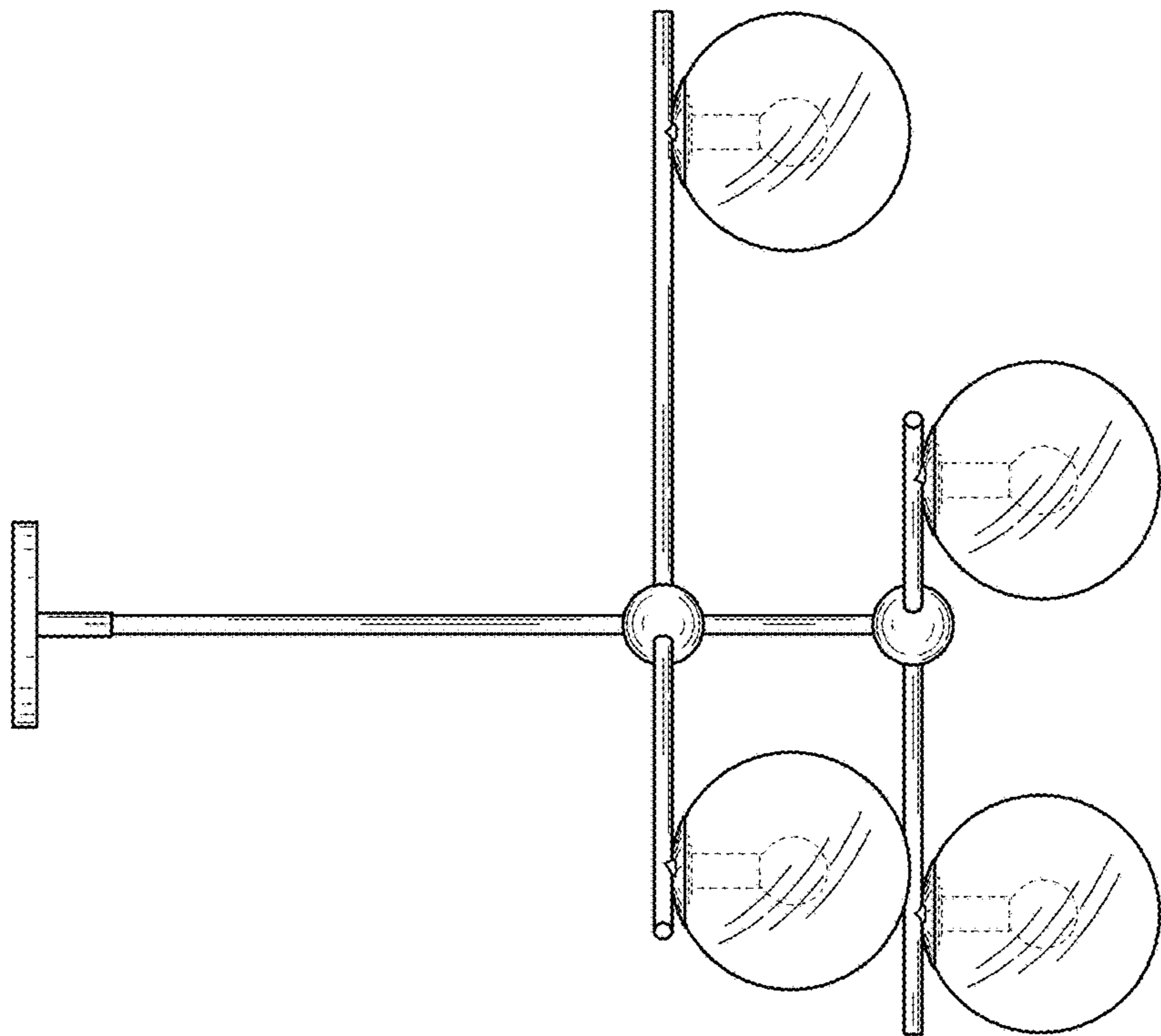


FIG. 4

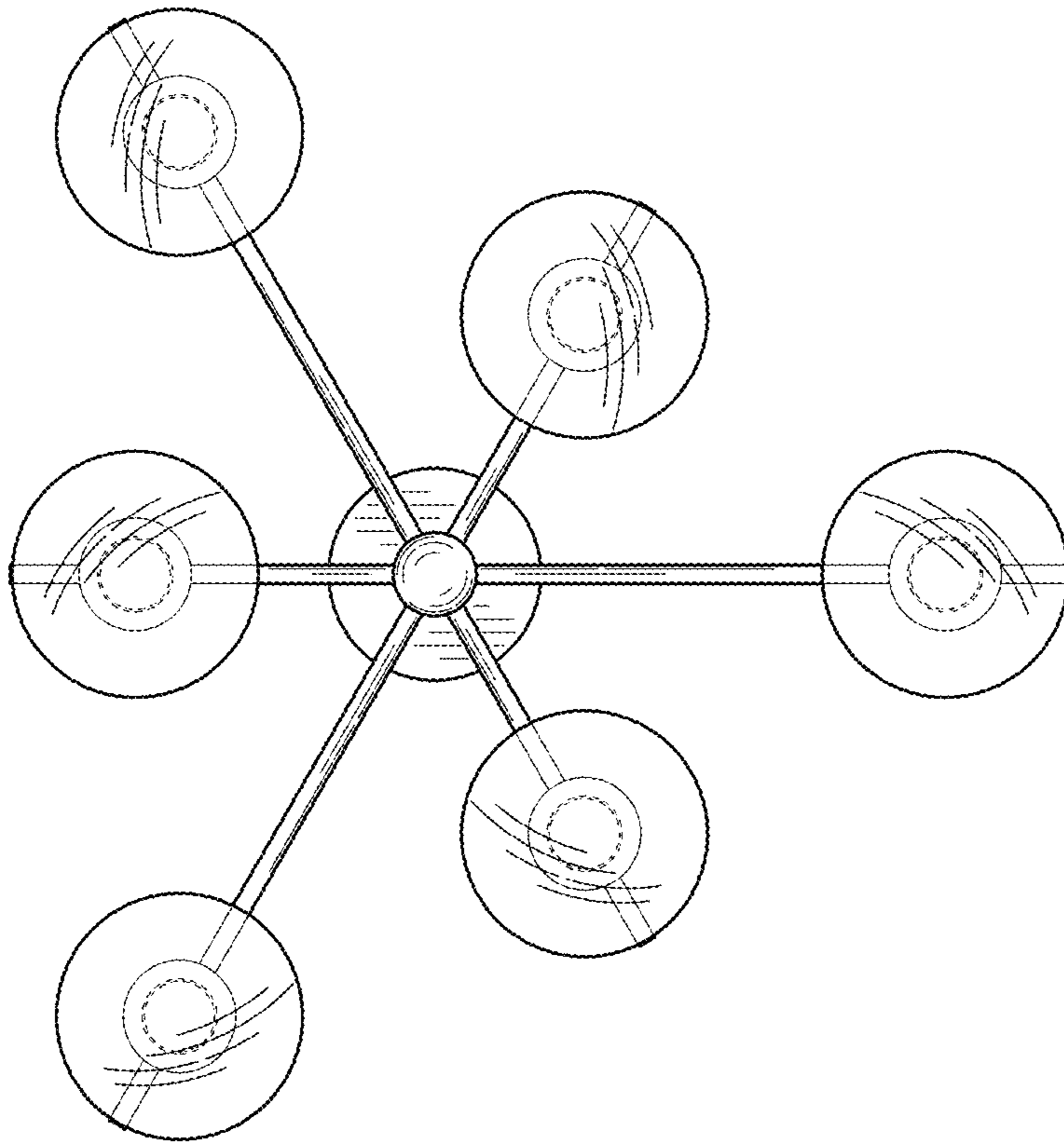


FIG. 7

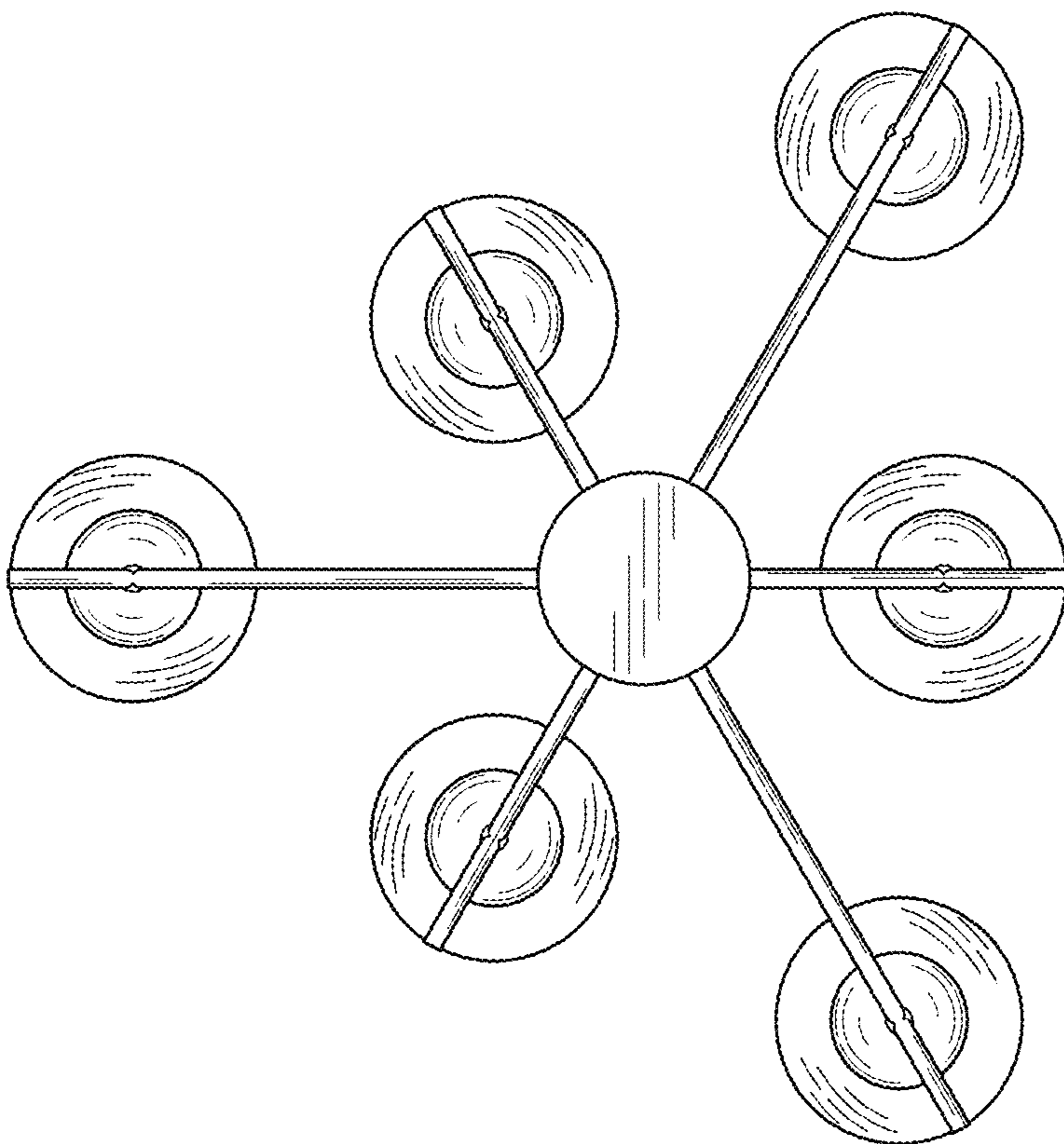


FIG. 6