



US00D828944S

(12) **United States Design Patent**
Xie

(10) **Patent No.:** **US D828,944 S**

(45) **Date of Patent:** **** Sep. 18, 2018**

(54) **LED PANEL LIGHT**

(71) Applicant: **Peizhu Xie**, Shenzhen (CN)

(72) Inventor: **Peizhu Xie**, Shenzhen (CN)

(**) Term: **15 Years**

(21) Appl. No.: **29/608,732**

(22) Filed: **Jun. 26, 2017**

(51) **LOC (11) Cl.** **26-05**

(52) **U.S. Cl.**
USPC **D26/74**

(58) **Field of Classification Search**
USPC D26/74, 72, 75, 76, 77, 78, 85, 88, 89,
D26/118, 138, 141; 362/364, 365, 373,
362/145, 146, 147, 148, 150, 153, 153.1,
362/294, 296.01, 296.07, 296.08
See application file for complete search history.

(56) **References Cited**

U.S. PATENT DOCUMENTS

D544,979 S *	6/2007	Hartmann, Jr.	D26/74
D609,840 S *	2/2010	Tang	D26/74
D622,434 S *	8/2010	Ward	F21S 8/026
				D26/74
D668,372 S *	10/2012	Renshaw	D26/74
D698,070 S *	1/2014	Messisaen	D26/74

D712,082 S *	8/2014	Harpenau	D26/74
D726,950 S *	4/2015	Serwacki	D26/74
D726,951 S *	4/2015	Serwacki	D26/74
D773,097 S *	11/2016	Zhao	D26/74
D797,977 S *	9/2017	Farzan	D26/74
D802,179 S *	11/2017	Zeng	D26/2
D809,698 S *	2/2018	Benghozi	D26/74

* cited by examiner

Primary Examiner — Angela J Lee

(74) *Attorney, Agent, or Firm* — Prakash Nama; Global IP Services, PLLC

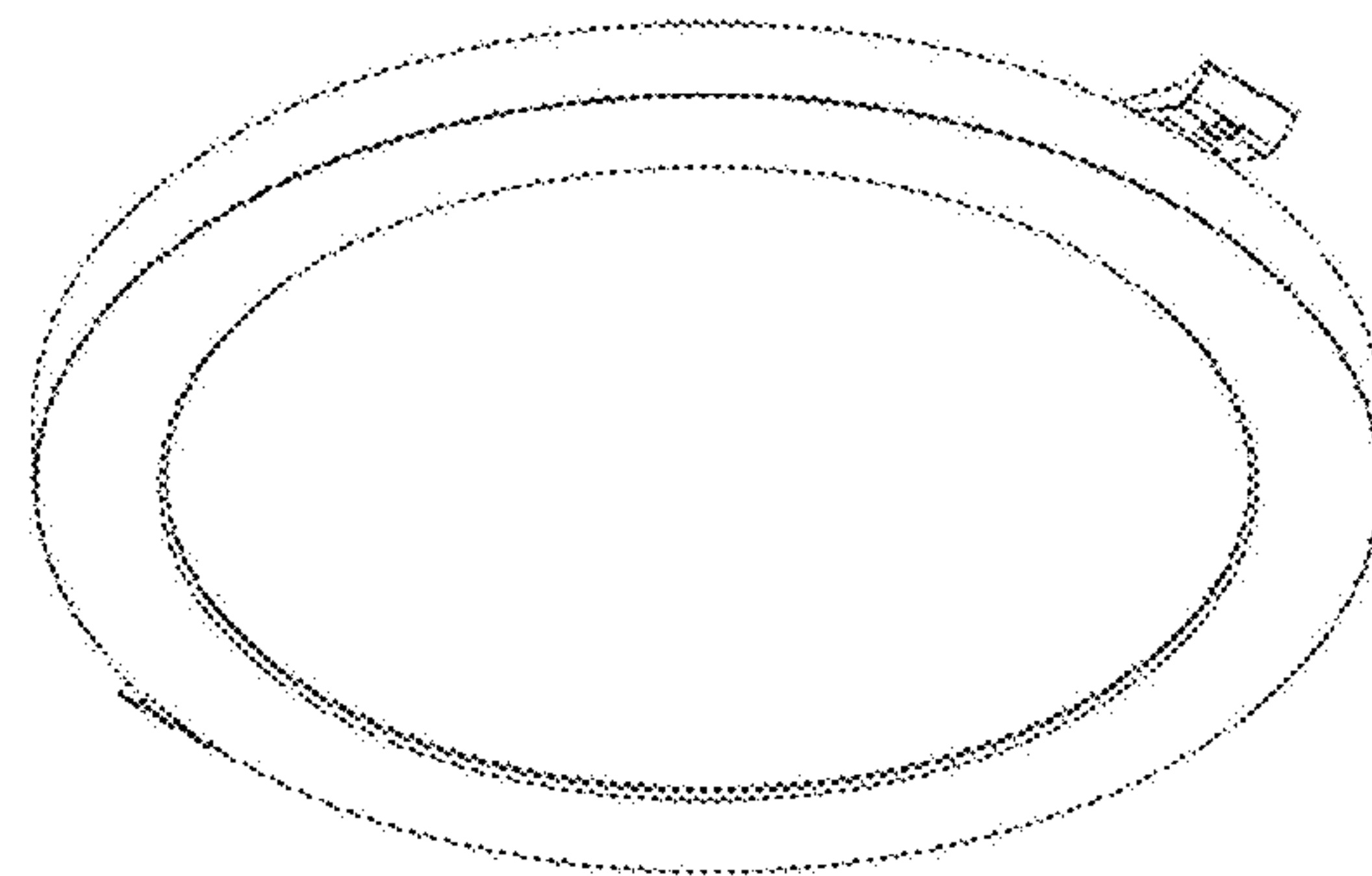
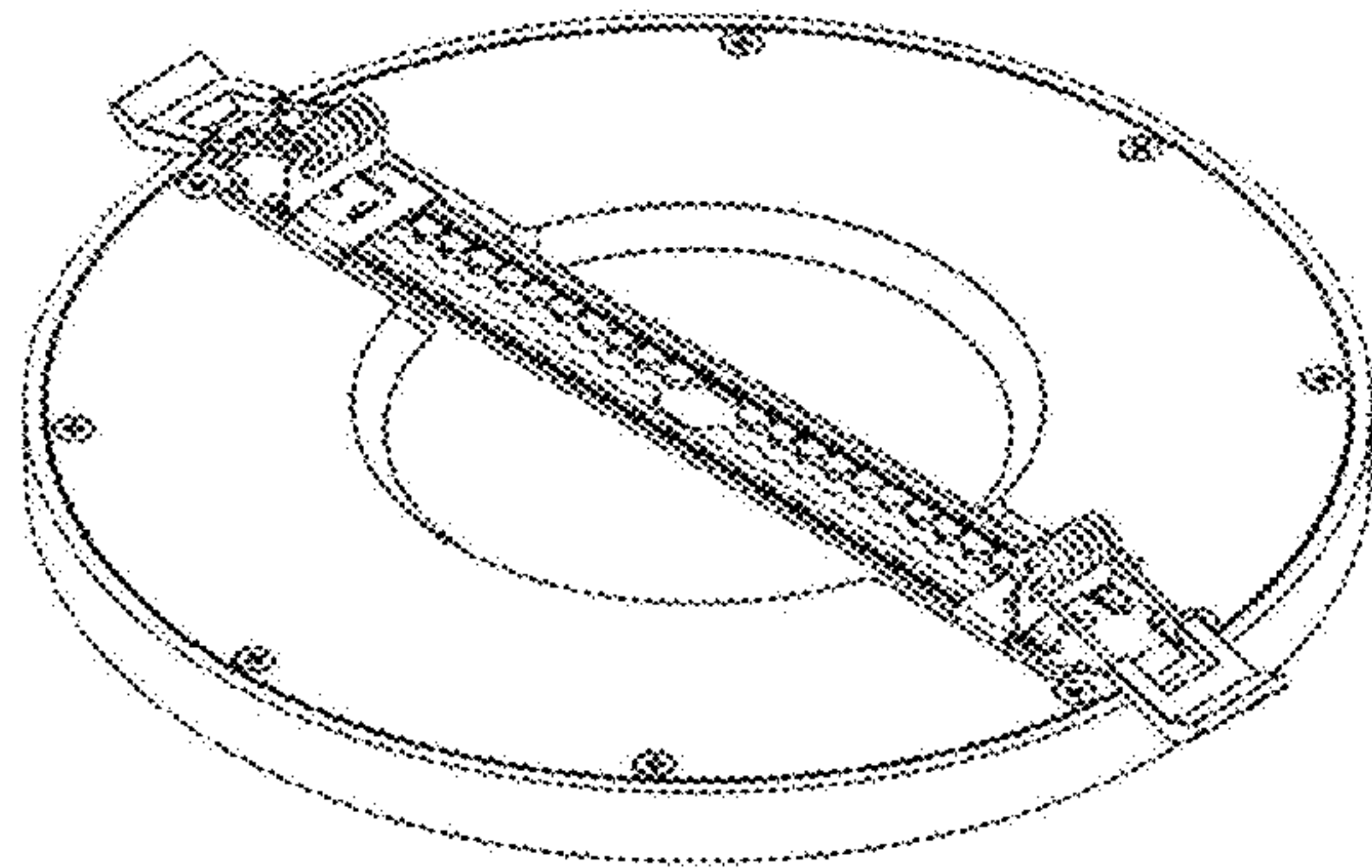
(57) **CLAIM**

The ornamental design for a LED panel light, as shown and described.

DESCRIPTION

FIG. 1 is a front elevational view of the LED panel light showing our new design;
 FIG. 2 is a rear elevational view thereof;
 FIG. 3 is a left side elevational view thereof;
 FIG. 4 is a right side elevational view thereof;
 FIG. 5 is a top plan view thereof;
 FIG. 6 is a bottom plan view thereof;
 FIG. 7 is a perspective view projecting toward the rear thereof; and,
 FIG. 8 is a perspective view projecting toward the front thereof.

1 Claim, 8 Drawing Sheets



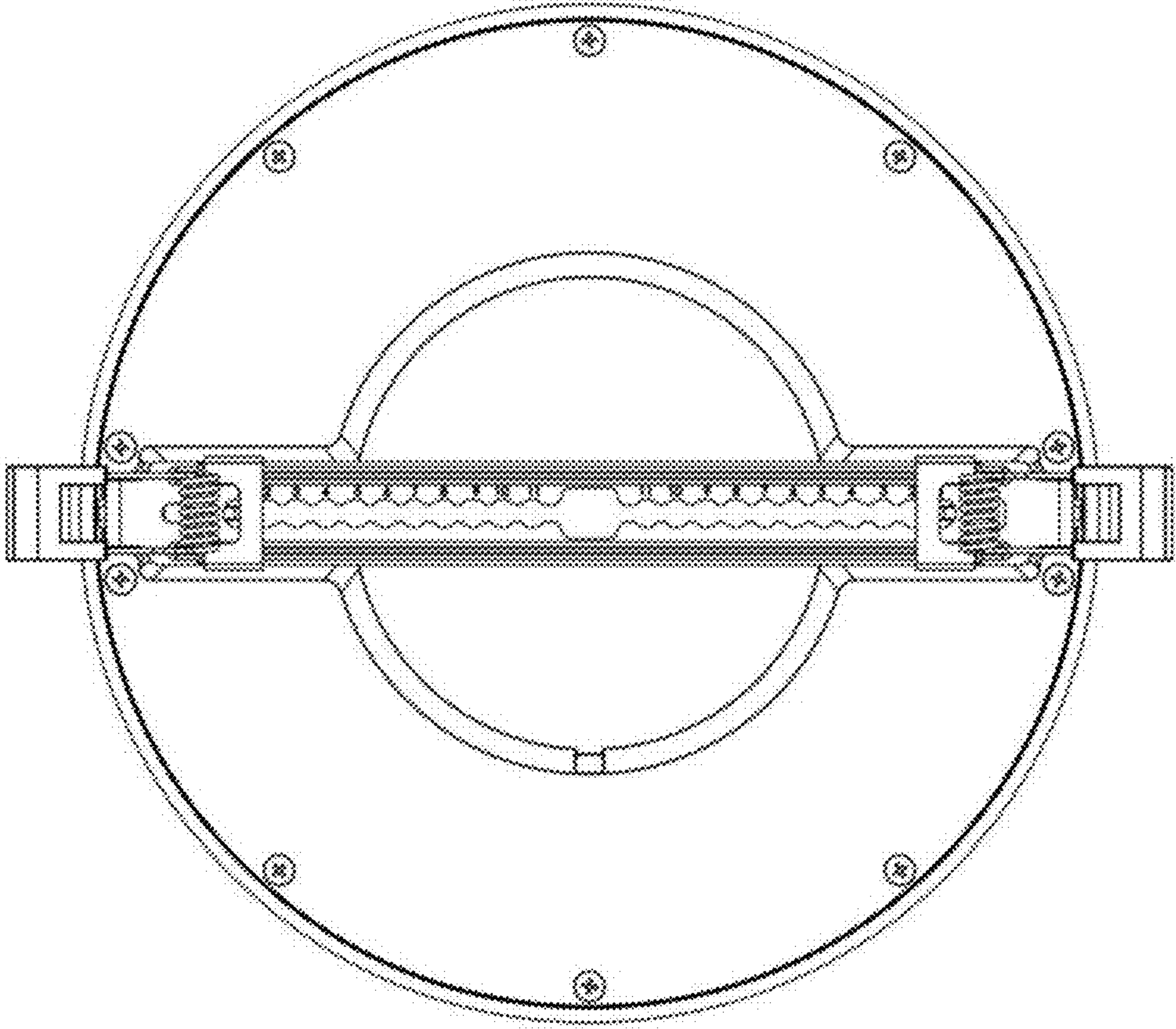


Fig. 1

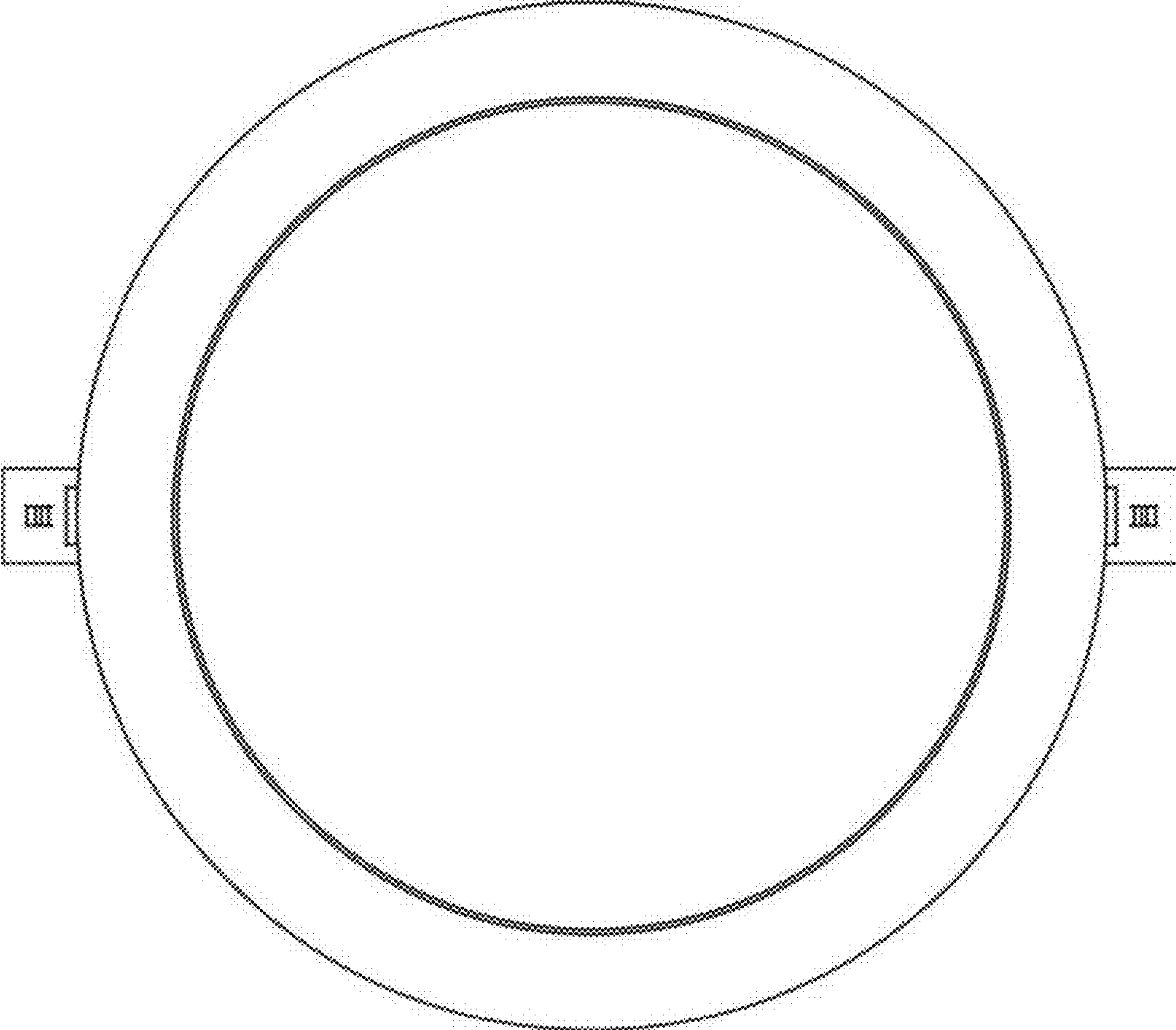


Fig.2

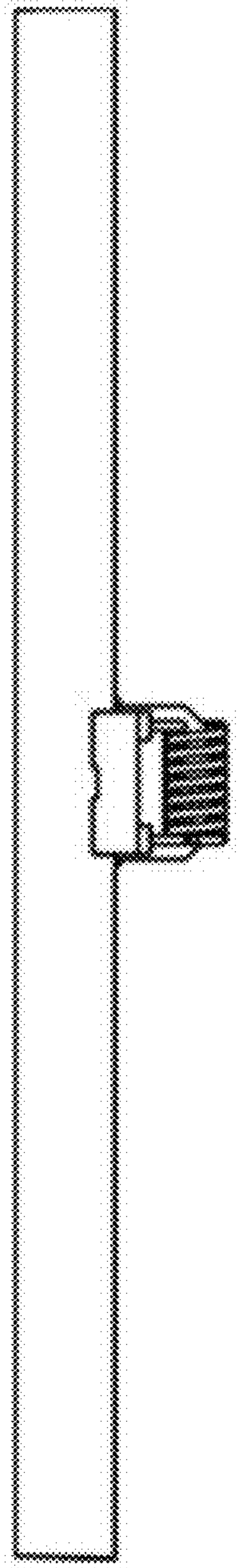


Fig.3

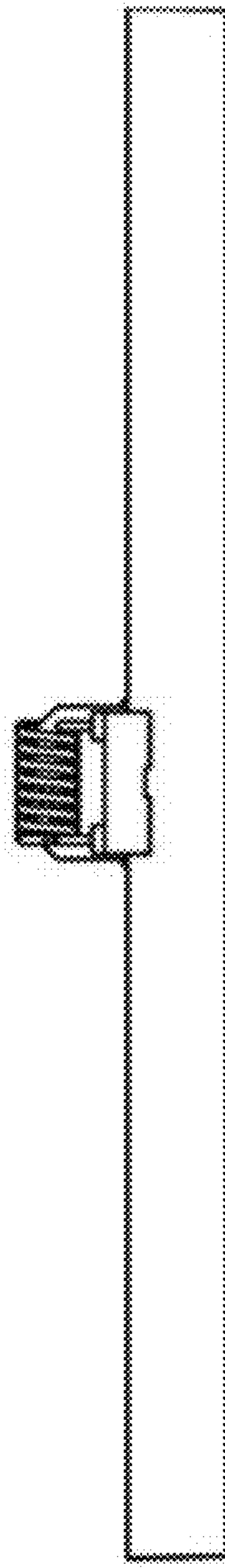


Fig.4

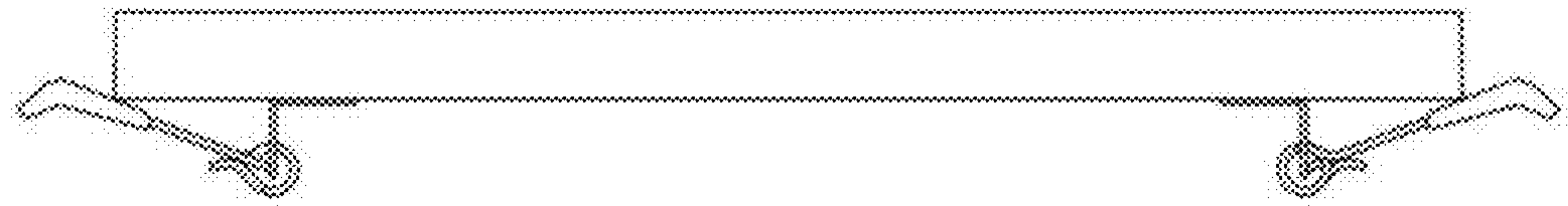


Fig.5

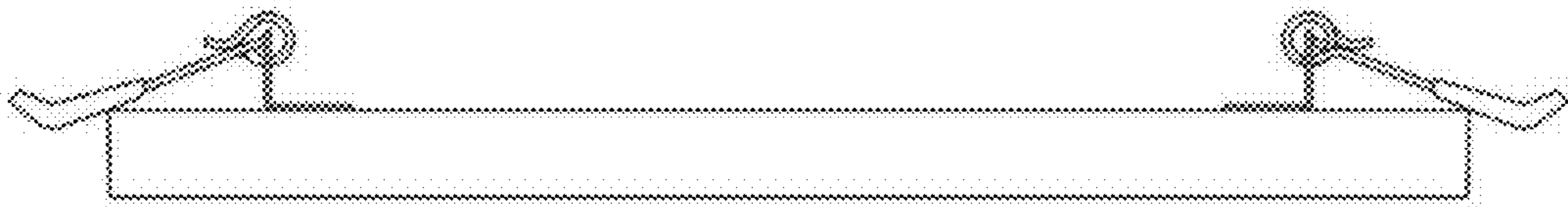


Fig.6

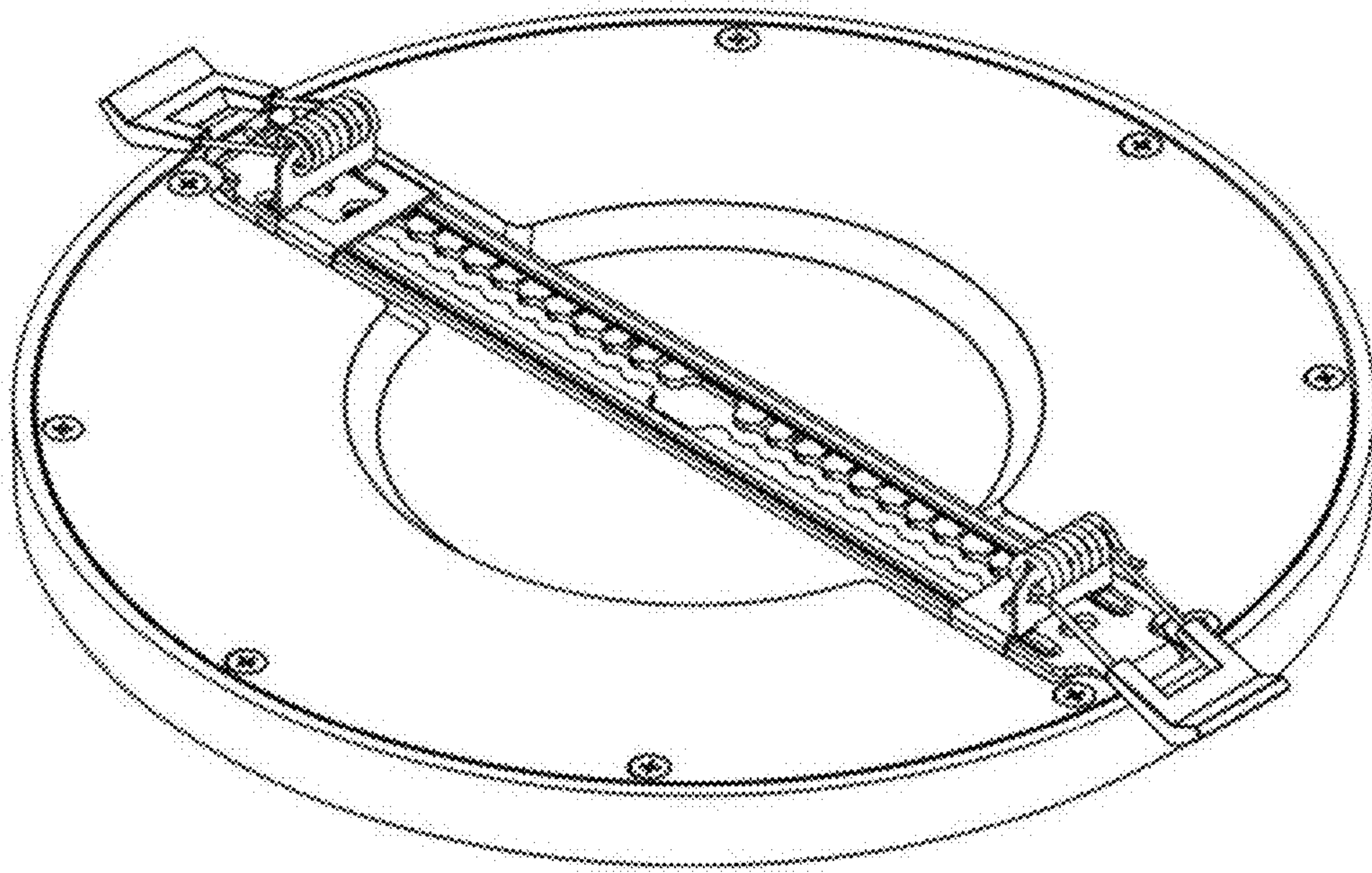


Fig.7

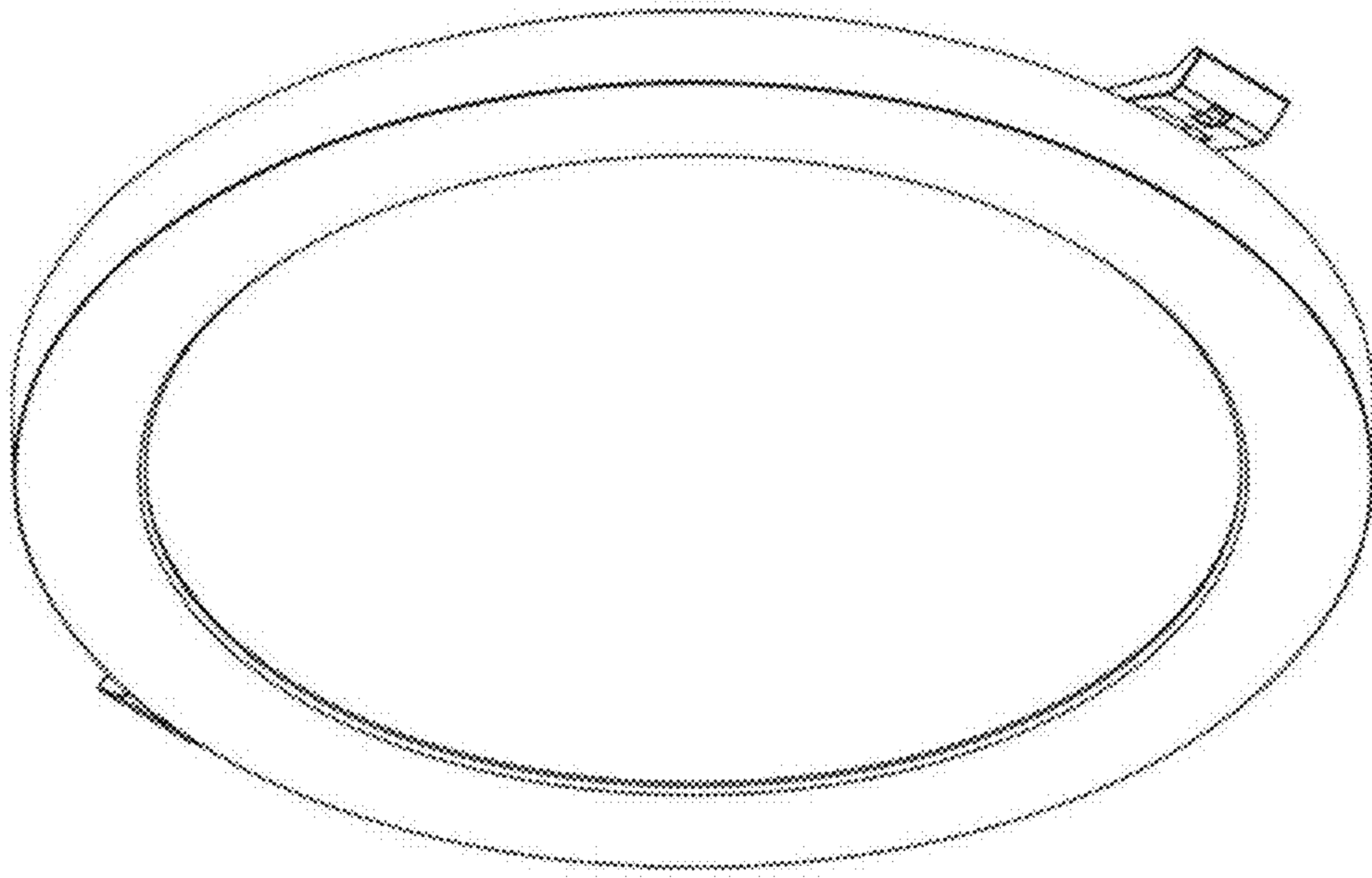


Fig.8