



US00D828943S

(12) **United States Design Patent**
Yang

(10) **Patent No.:** **US D828,943 S**

(45) **Date of Patent:** **** Sep. 18, 2018**

(54) **LASER LIGHT**

(71) Applicant: **Ruishi Yang**, Shenzhen (CN)

(72) Inventor: **Ruishi Yang**, Shenzhen (CN)

(**) Term: **15 Years**

(21) Appl. No.: **29/604,877**

(22) Filed: **May 22, 2017**

(51) **LOC (11) Cl.** **26-05**

(52) **U.S. Cl.**
USPC **D26/63; D26/67**

(58) **Field of Classification Search**
USPC D10/111-115; D26/7, 8, 10, 11, 12, 14,
D26/19, 60, 61, 63-69, 71, 92, 93
CPC F21S 8/081; F21S 8/08; F21S 6/00
See application file for complete search history.

(56) **References Cited**

U.S. PATENT DOCUMENTS

D157,801 S *	3/1950	Stone	D26/138
D172,523 S *	6/1954	Stone	D26/138
D264,386 S *	5/1982	Heritage	D26/63
D272,659 S *	2/1984	Medley	D13/134
D340,305 S *	10/1993	Hall	D26/68
D389,935 S *	1/1998	Pink	D26/63
D771,297 S *	11/2016	Kim	D26/63
D773,707 S *	12/2016	Lentine	D26/63
D777,965 S *	1/2017	Mirchandani	D26/63

D779,098 S *	2/2017	Tsai	D26/63
D797,975 S *	9/2017	Lentine	D26/63
9,879,847 B2 *	1/2018	Khubani	F21V 29/503

OTHER PUBLICATIONS

Star Night Laser Dancers (available online) Retrieved from the internet Apr. 10, 2018 from URL: <https://www.asseenontvwebstore.com/star-night-laser-p/star-night-dancer.htm>.*

* cited by examiner

Primary Examiner — Kevin K Rudzinski

Assistant Examiner — Richard Kearney

(74) *Attorney, Agent, or Firm* — Muncy, Geissler, Olds & Lowe, P.C.

(57) **CLAIM**

The ornamental design for a laser light as shown and described.

DESCRIPTION

FIG. 1 is a top, front, right side perspective view of a laser light showing my new design

FIG. 2 is a top, front, left perspective view thereof;

FIG. 3 is a top, rear, left perspective view thereof;

FIG. 4 is a front elevational view thereof;

FIG. 5 is a rear elevational view thereof;

FIG. 6 is a right side view thereof;

FIG. 7 is a left side view thereof; and,

FIG. 8 is a top plan view thereof.

1 Claim, 8 Drawing Sheets

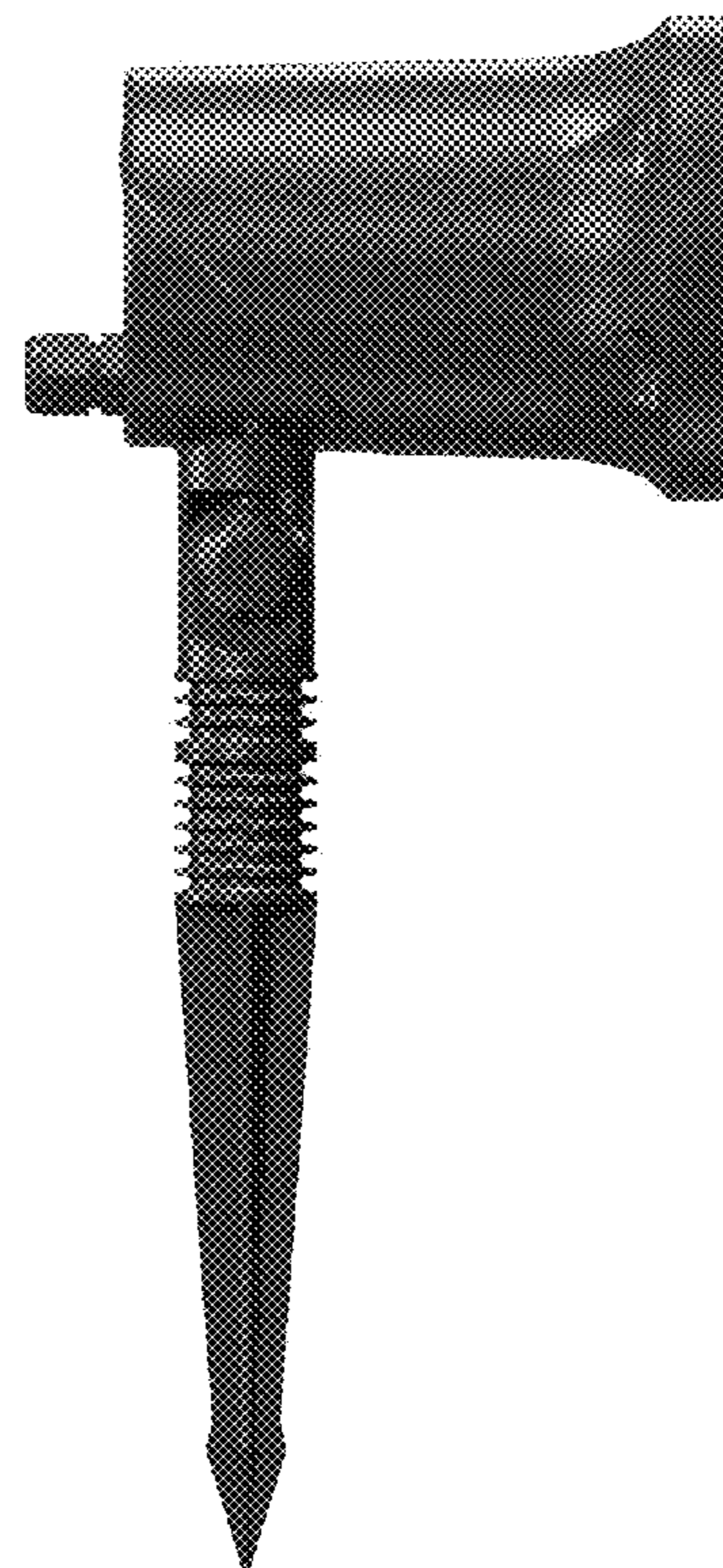




FIG. 1



FIG. 2



FIG. 3

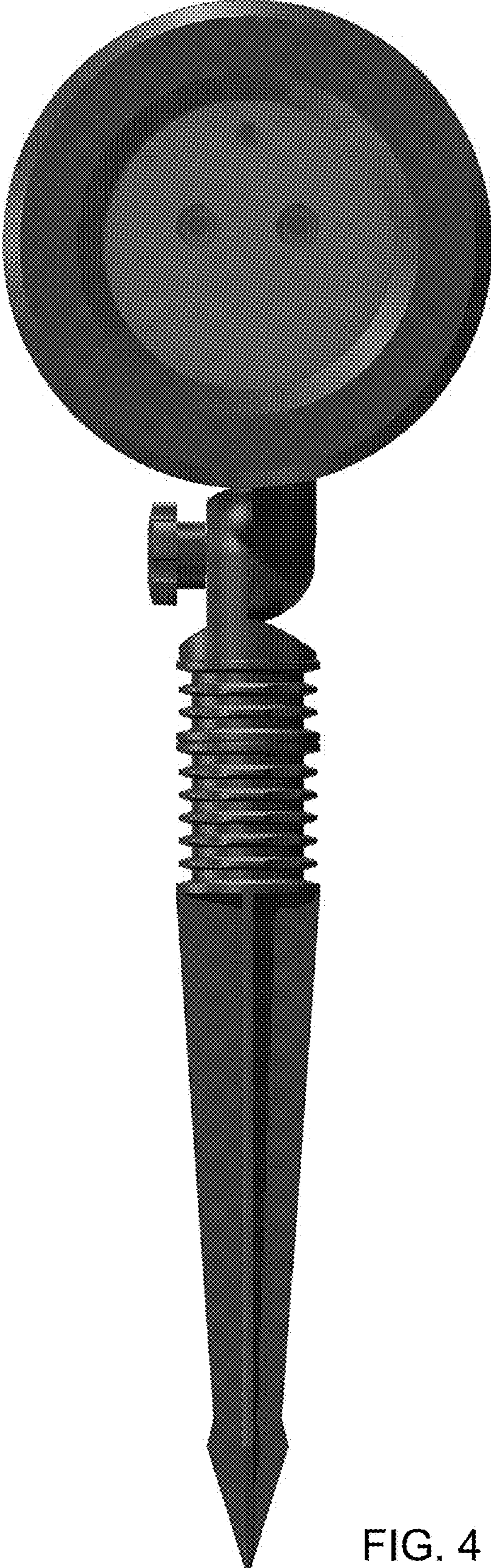


FIG. 4



FIG. 5



FIG. 6



FIG. 7



FIG. 8