



US00D828942S

(12) **United States Design Patent** (10) **Patent No.:** **US D828,942 S**  
**Fissell et al.** (45) **Date of Patent:** **\*\* Sep. 18, 2018**

(54) **LIGHT** 8,226,265 B2 7/2012 Czajkowski et al.  
D707,868 S \* 6/2014 Lee ..... D26/39  
(71) Applicant: **FISSELL BROS, INC.**, San Luis Obispo, CA (US) 8,752,974 B2 6/2014 Leibowitz  
(Continued)

(72) Inventors: **Jeremy Fissell**, San Luis Obispo, CA (US); **Nathan Fissell**, North Hollywood, CA (US)

**FOREIGN PATENT DOCUMENTS**

CN 204062513 U 12/2014  
WO WO 2007/103979 A1 9/2007

(73) Assignee: **FISSELL BROS, INC.**, San Luis Obispo, CA (US)

**OTHER PUBLICATIONS**

(\*\*) Term: **15 Years**  
(21) Appl. No.: **29/611,335**  
(22) Filed: **Jul. 20, 2017**

RGB Disco DJ Stage Light Club Party DMX512 LED Crystal Ball Effect Lighting by penny buying, <http://www.ebay.co.uk/itm/RGB-Disco-DJ-Stage-Light-Club-Party-DMX512-LED-Crystal-Ball-Effect-Lighting-/181909070738> depicting RGB Disco DJ Stage Light Christmas Party DMX512 LED Crystal Ball Effect Lighting, <https://www.youtube.com/watch?v=B56u9pgXmPw>, posted Jul. 4, 2013.

**Related U.S. Application Data**

(62) Division of application No. 29/582,006, filed on Oct. 24, 2016, now Pat. No. Des. 795,477.

(Continued)

*Primary Examiner* — Brian N Vinson  
(74) *Attorney, Agent, or Firm* — Morgan, Lewis & Bockius LLP; Brett A. Lovejoy

(30) **Foreign Application Priority Data**

Apr. 24, 2017 (EM) ..... 003870773

(57) **CLAIM**

(51) **LOC (11) Cl.** ..... **26-03**

An ornamental design for a light, as shown and described.

(52) **U.S. Cl.**  
USPC ..... **D26/60**

**DESCRIPTION**

(58) **Field of Classification Search**  
USPC ..... D26/37, 39, 38, 46, 60  
CPC ..... F21V 33/00; F21V 14/025; F21V 21/406;  
F21Y 2101/02; F21L 17/00; F21L 13/08  
See application file for complete search history.

FIG. 1 is a front perspective view of a light showing our new design;  
FIG. 2 is a rear perspective view thereof;  
FIG. 3 is a first side view thereof;  
FIG. 4 is a second side view thereof;  
FIG. 5 is a front view thereof;  
FIG. 6 is a rear view thereof;  
FIG. 7 is a top view thereof; and,  
FIG. 8 is a bottom view thereof.

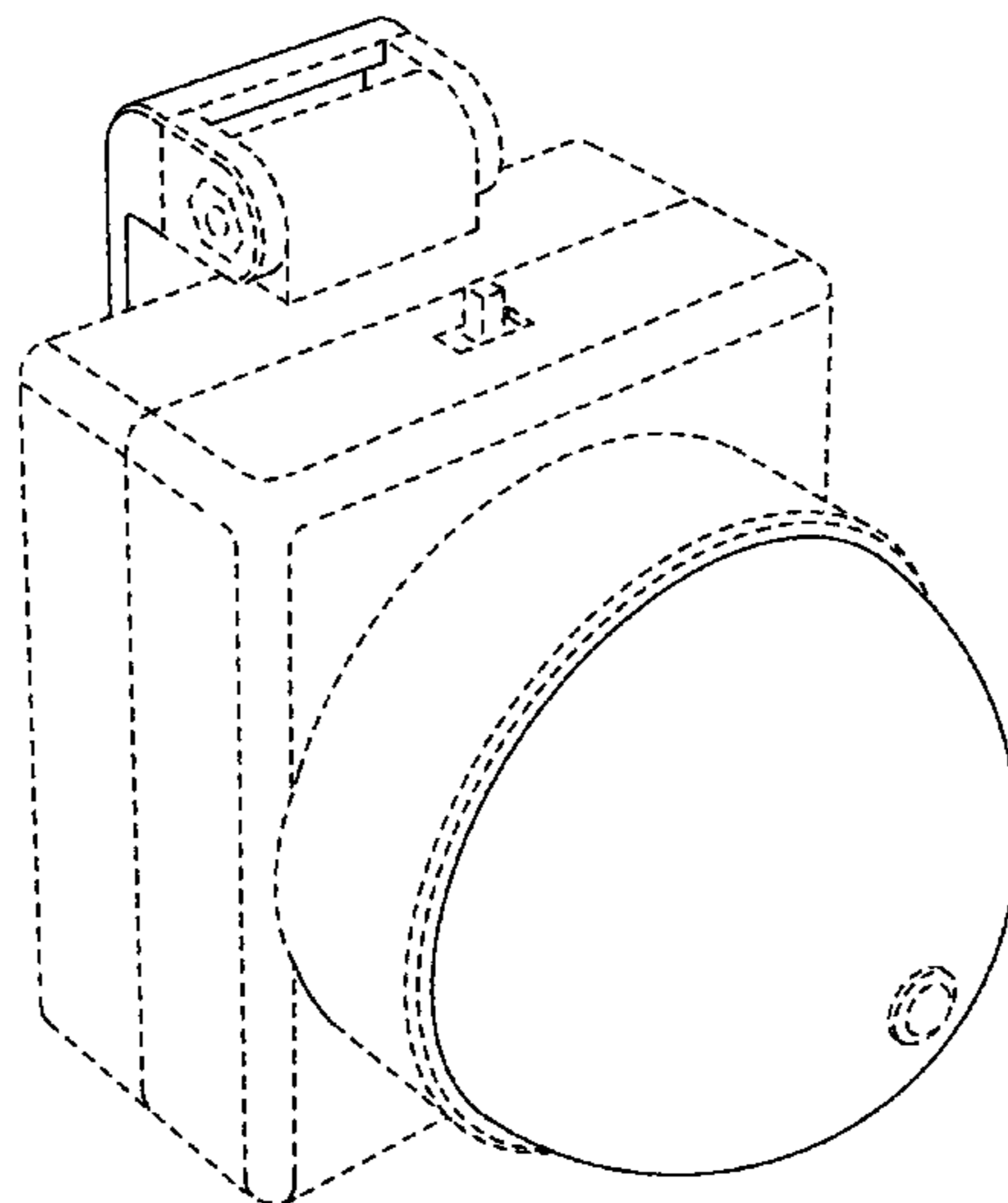
(56) **References Cited**

**U.S. PATENT DOCUMENTS**

D363,803 S \* 10/1995 Kelly ..... D26/60  
6,644,834 B2 11/2003 Christen  
7,562,995 B1 7/2009 Levine  
D608,038 S \* 1/2010 Chan ..... D26/60  
D633,635 S \* 3/2011 Poon ..... D26/60

The broken line disclosure represents portions of the light which form no part of the claimed design.

**1 Claim, 8 Drawing Sheets**



(56)

**References Cited**

U.S. PATENT DOCUMENTS

D765,296 S \* 8/2016 Wei ..... D26/60  
D766,480 S \* 9/2016 Bo ..... D26/60  
2007/0097681 A1 5/2007 Chich et al.  
2015/0189704 A1 7/2015 Williams et al.

OTHER PUBLICATIONS

3W RGB Magic Rotating Ball Effect Led Stage Lights KTV Party Club Bar Disco DJ by Saance US, <http://www.ebay.com/itm/3W-RGB-Magic-Rotating-Ball-Effect-Led-Stage-Lights-KTV-Party-Club-Bar-Disco-DJ-/152016069036>, accessed Aug. 8, 2016.

Ave LED—Dance Jelly Ball Disco Light by DJ City, <https://djcity.com.au/product/led-dance/>, accessed Aug. 8, 2016.

Velcro LED Pod Light, Remote Controlled Multi Colored, Waterproof by GlowCity LLC, <https://www.amazon.com/Velcro-Remote-Controlled-Colored-Waterproof/dp/B00ZWP3F0A>, accessed Aug. 8, 2016.

\* cited by examiner

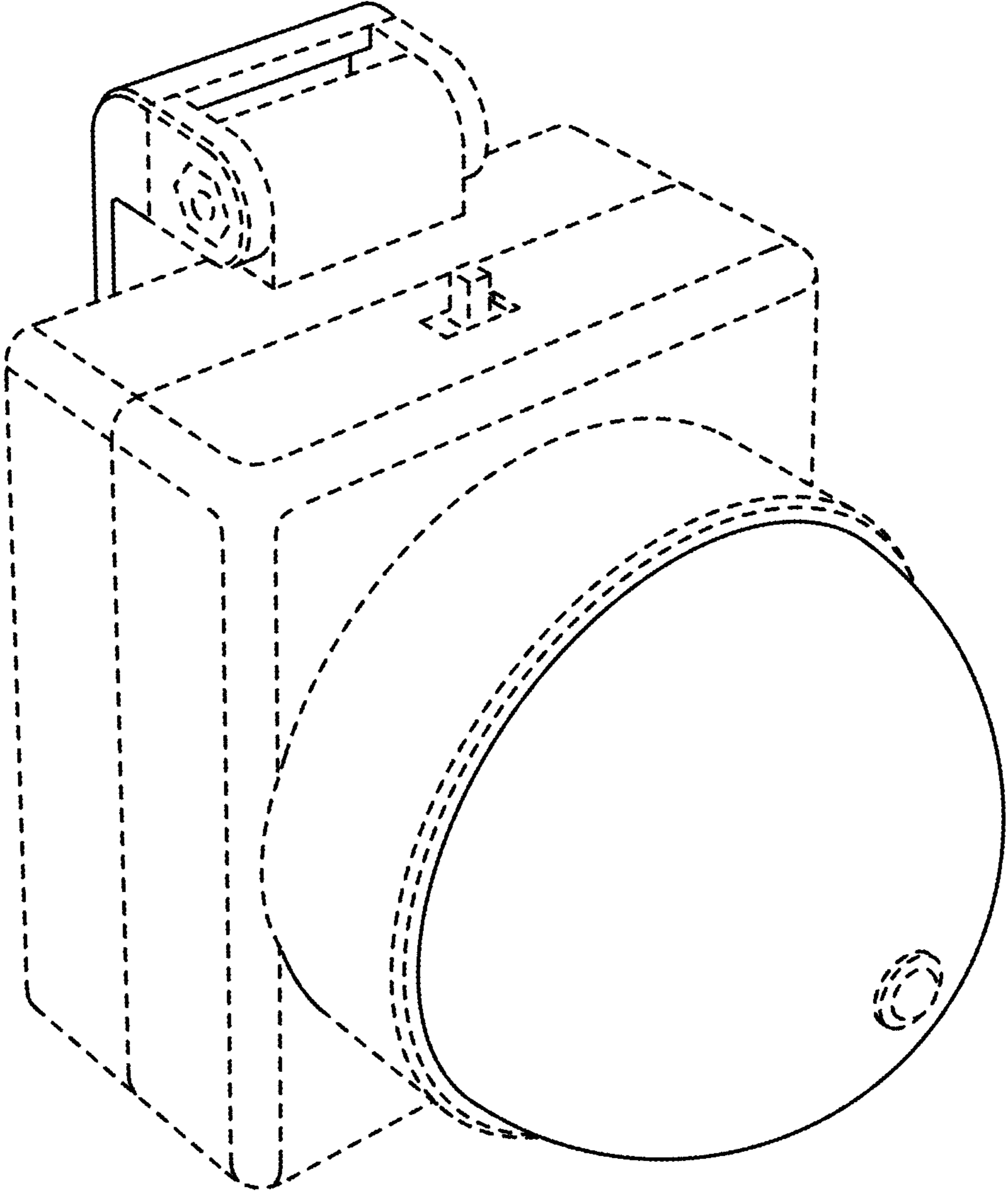


FIG. 1

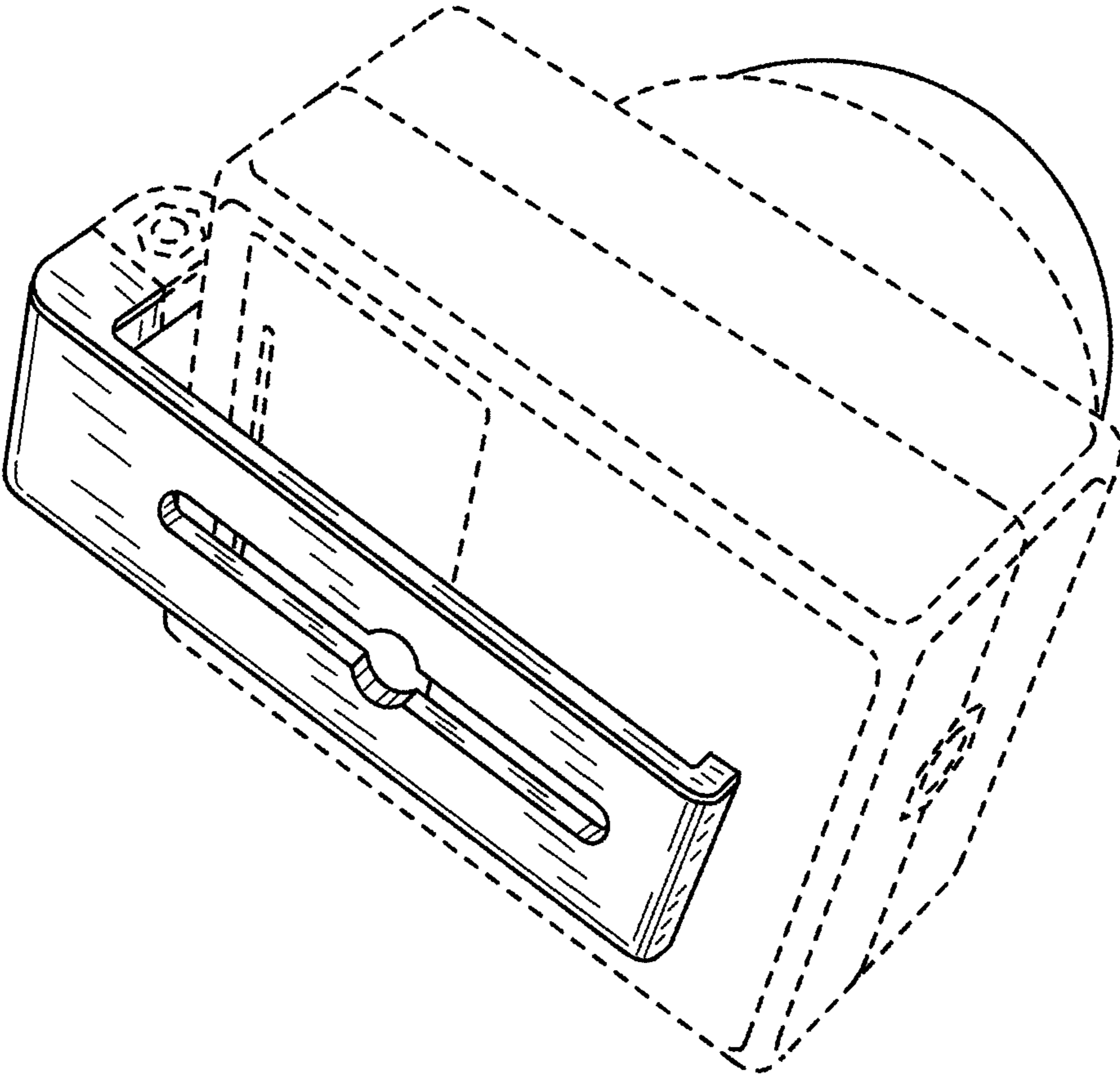


FIG. 2

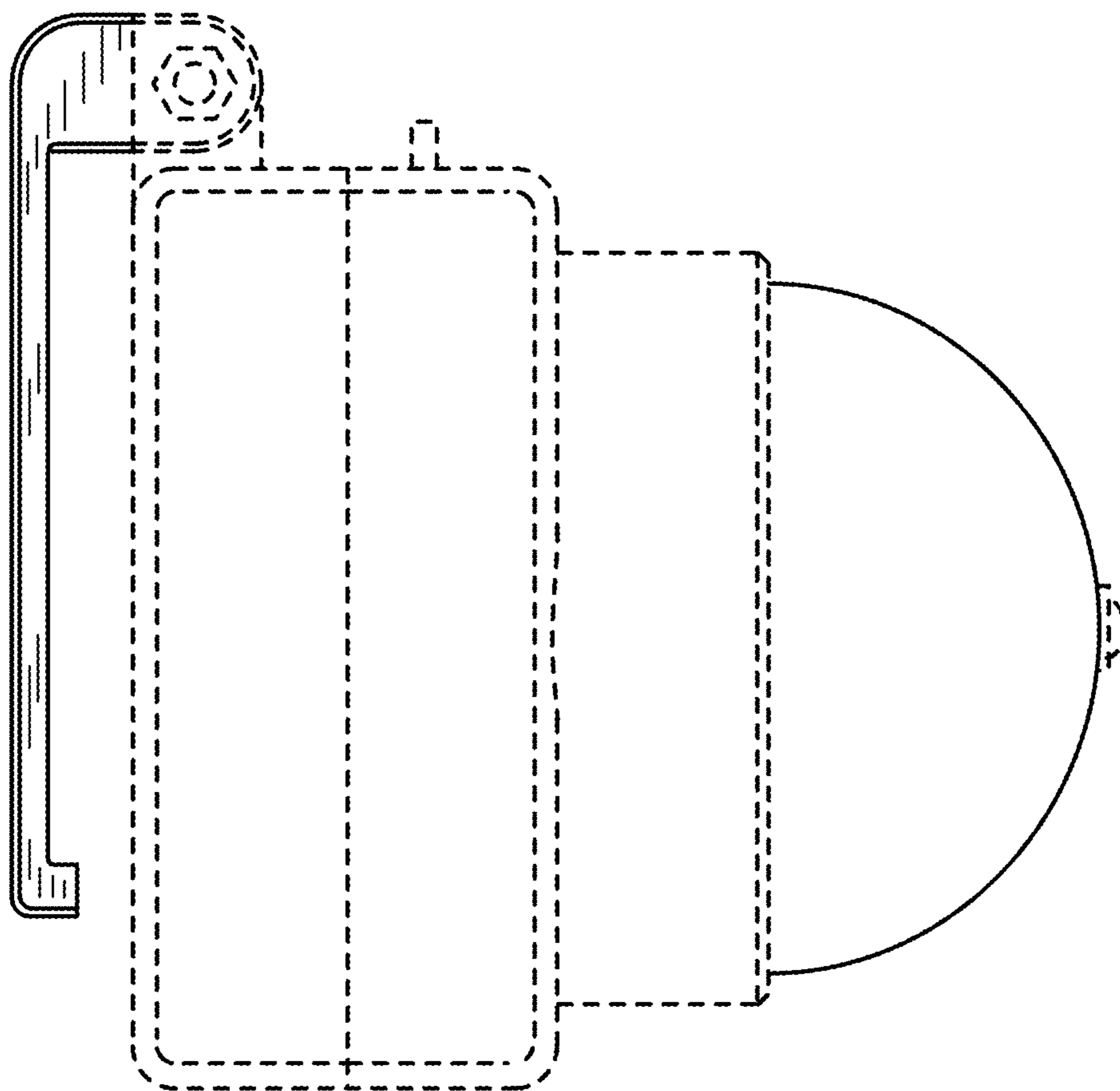


FIG. 3

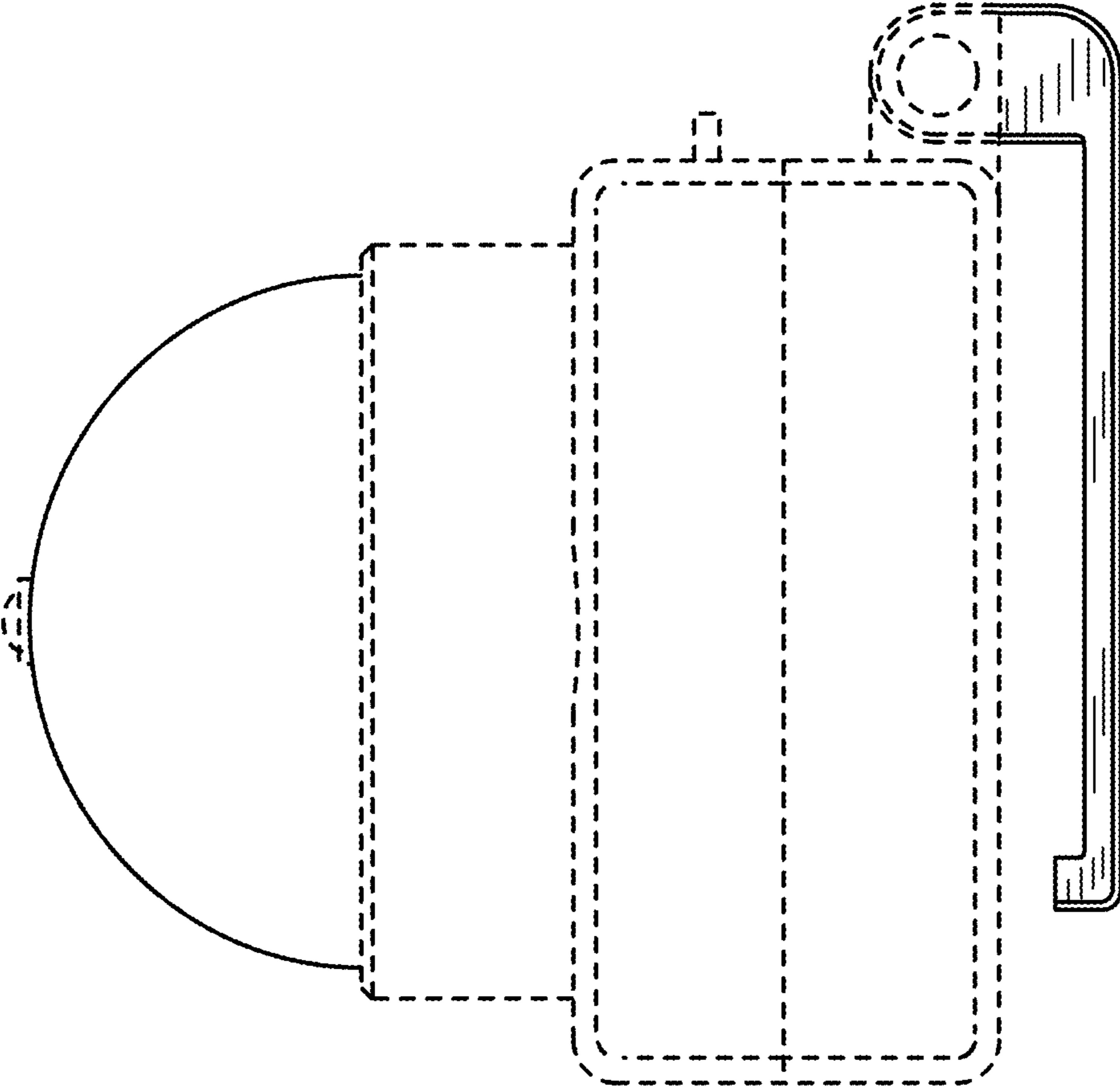


FIG. 4

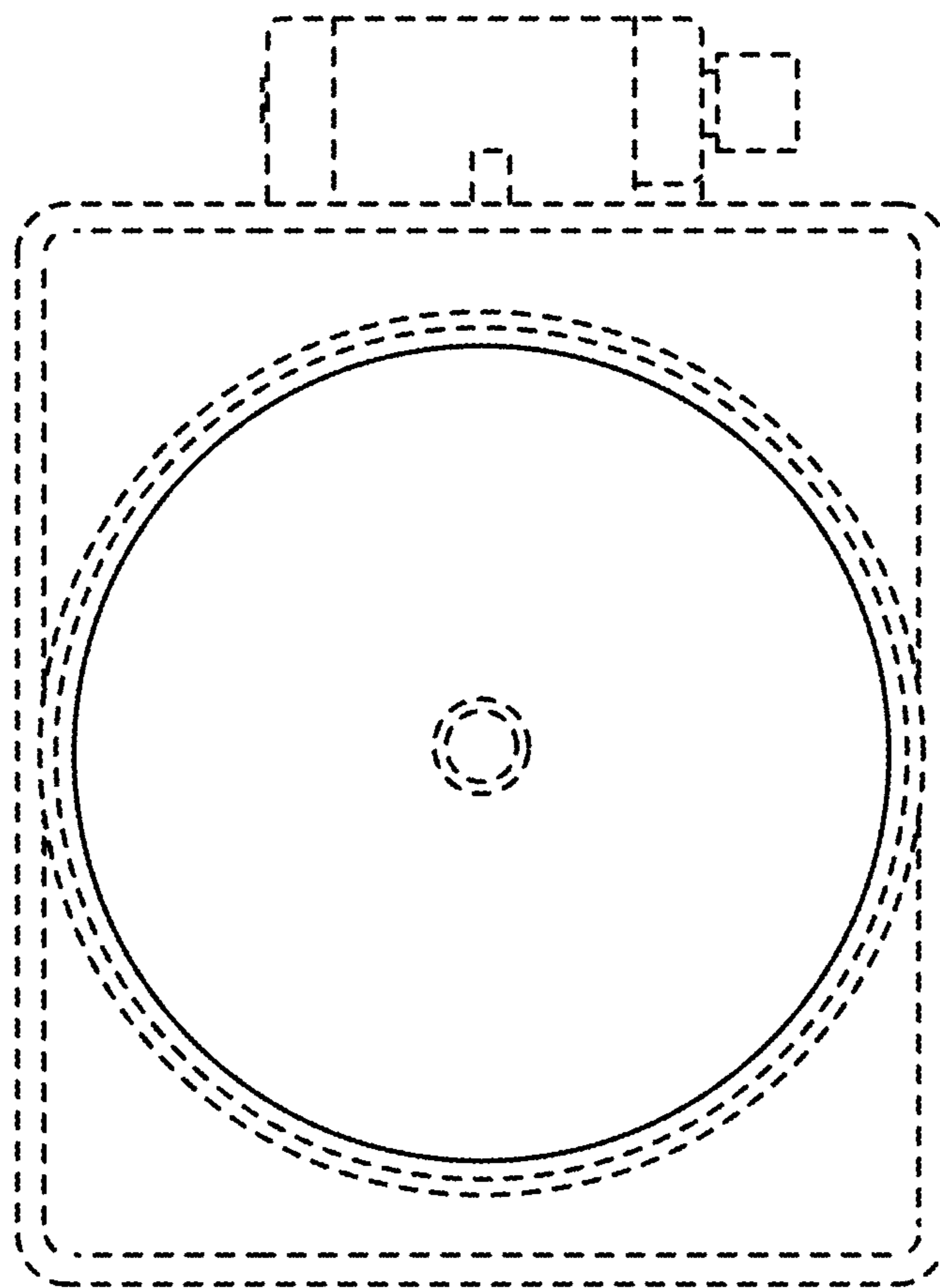


FIG. 5

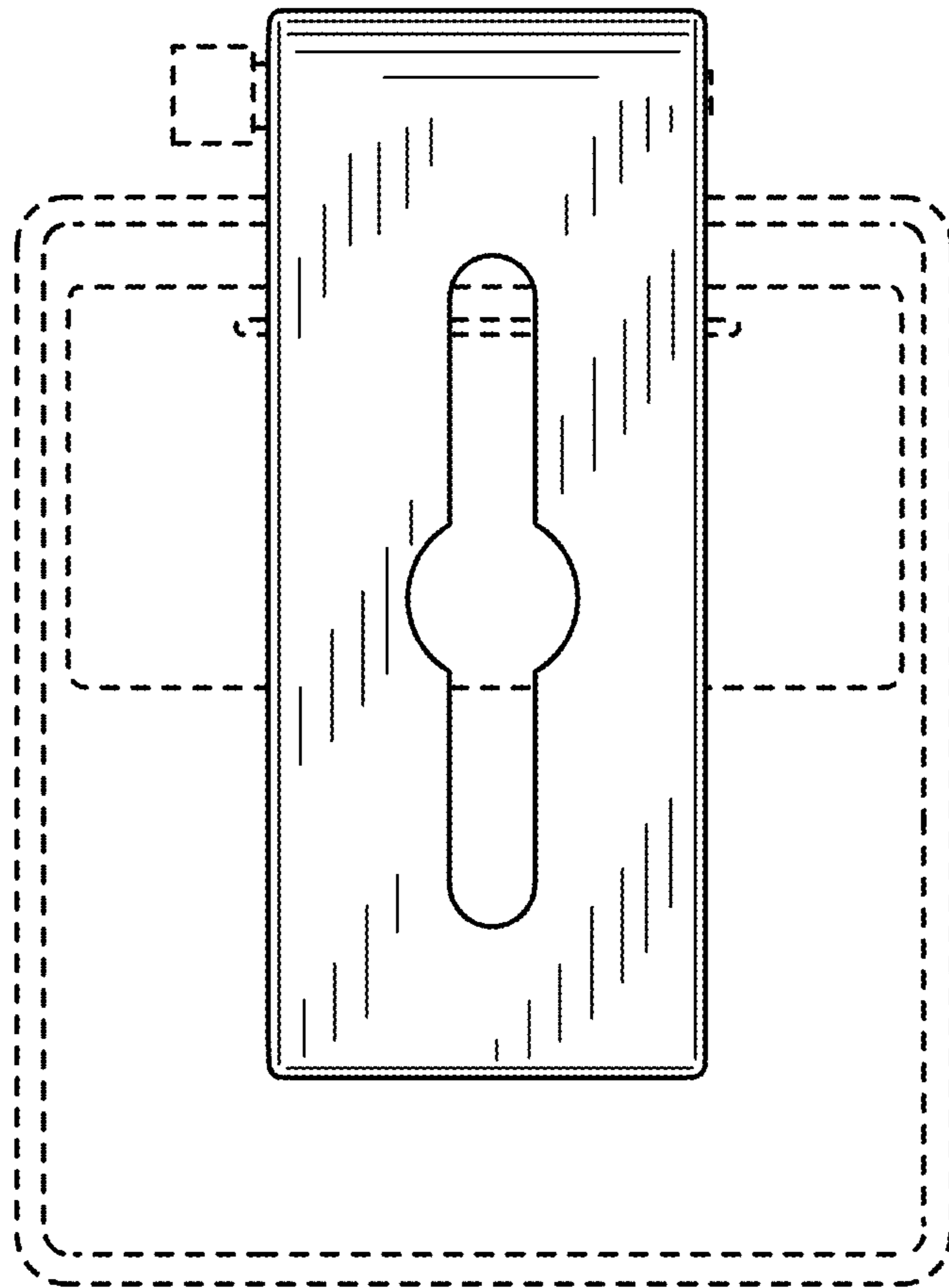


FIG. 6



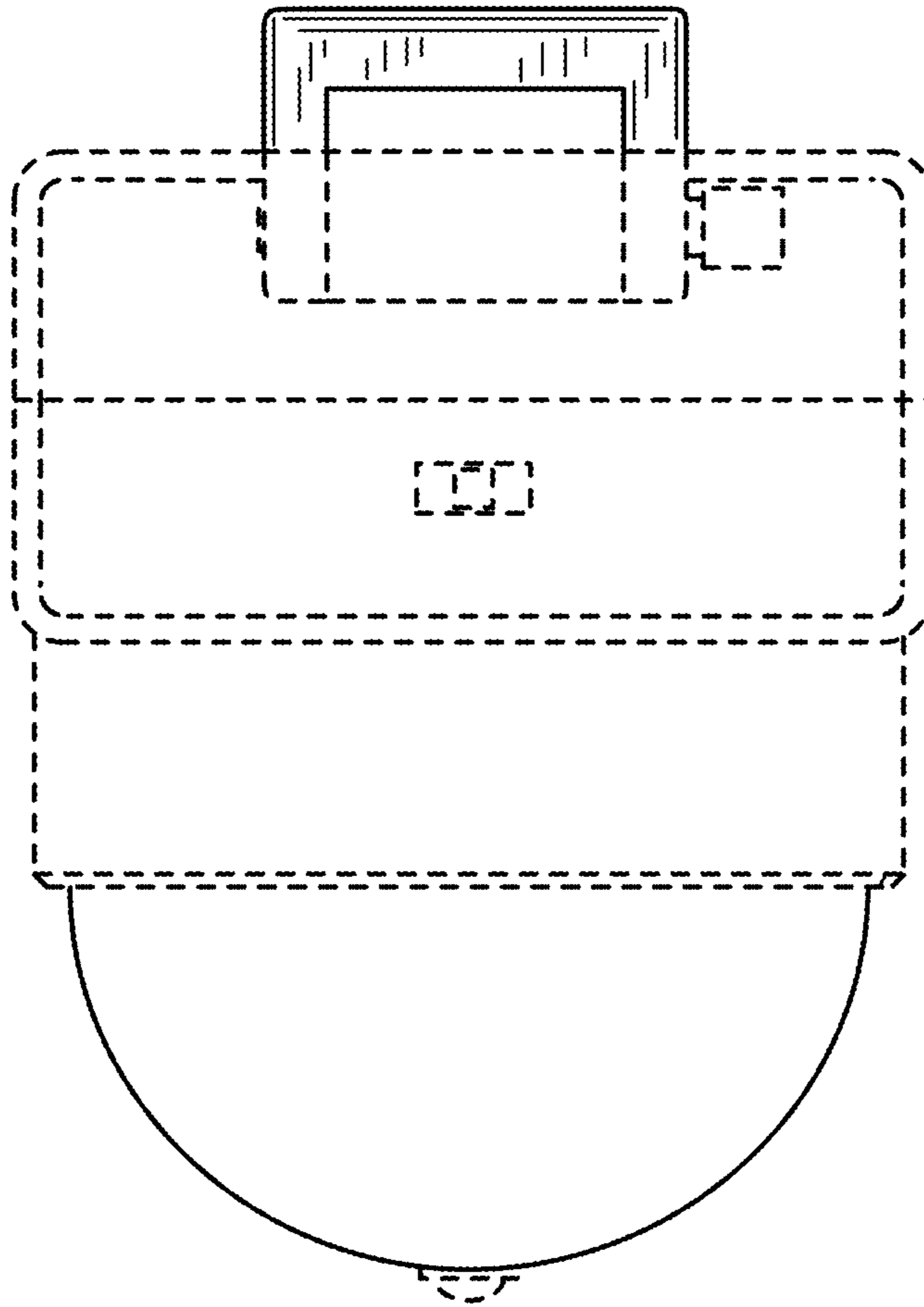


FIG. 7

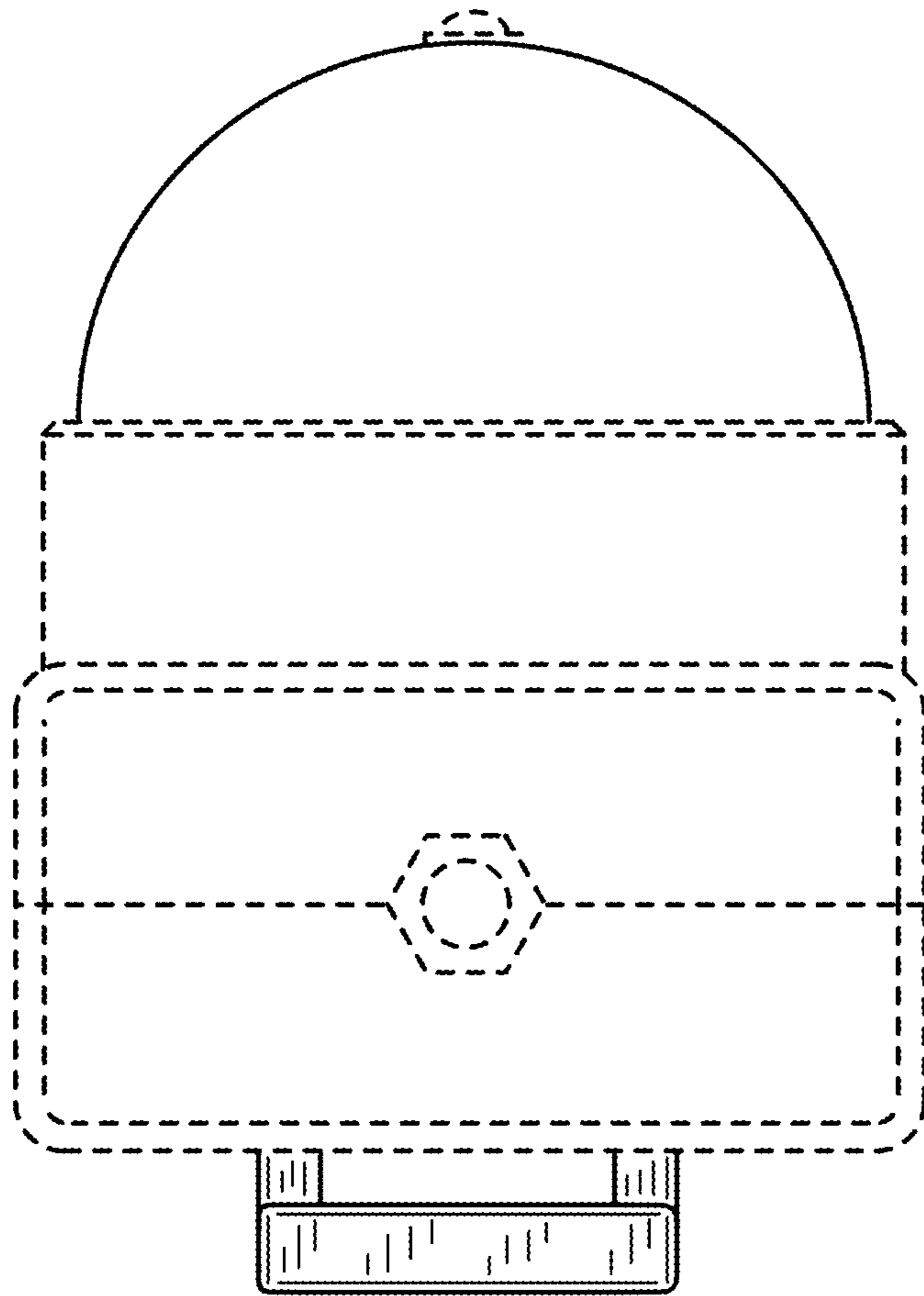


FIG. 8