



US00D828941S

(12) **United States Design Patent**  
**Holmes**

(10) **Patent No.:** **US D828,941 S**

(45) **Date of Patent:** **\*\* Sep. 18, 2018**

(54) **CEILING FAN LIGHT KIT**

(71) Applicant: **HUNTER FAN COMPANY**,  
Memphis, TN (US)

(72) Inventor: **Christine Holmes**, Memphis, TN (US)

(73) Assignee: **Hunter Fan Company**, Memphis, TN  
(US)

(\*\*) Term: **15 Years**

(21) Appl. No.: **29/615,287**

(22) Filed: **Aug. 28, 2017**

**Related U.S. Application Data**

(62) Division of application No. 29/556,987, filed on Mar. 4, 2016, now Pat. No. Des. 803,380.

(51) **LOC (11) Cl.** ..... **26-05**

(52) **U.S. Cl.**  
USPC ..... **D26/59**; D26/89

(58) **Field of Classification Search**  
USPC ..... D23/335-337, 355, 370-385, 411-414;  
D26/59, 67, 72, 80-89, 92, 104-105, 110,  
D26/113, 118-119, 128-137

(Continued)

(56) **References Cited**

**U.S. PATENT DOCUMENTS**

D62,666 S \* 7/1923 Adam ..... D26/89  
1,581,781 A \* 4/1926 Bridges ..... F21V 17/12  
362/311.09

(Continued)

**OTHER PUBLICATIONS**

<http://www.craftmade.com/Craftmade-B568C-SE1-Walnut-Ceiling-Fan-Blades.HTM>, Item Specification for the 68" Custom Carved Blade in Seville Walnut, Product # B568C - SE1, accessed Mar. 3, 2016.

(Continued)

*Primary Examiner* — Cathron C Brooks

*Assistant Examiner* — Sharon S Oum

(74) *Attorney, Agent, or Firm* — McGarry Bair PC

(57) **CLAIM**

The ornamental design for a ceiling fan light kit, as shown and described.

**DESCRIPTION**

FIG. 1 is a bottom perspective view of a ceiling fan light kit according to a first embodiment of the invention;

FIG. 2 is a top perspective view of the ceiling fan light kit of FIG. 1;

FIG. 3 is a top view of the ceiling fan light kit of FIG. 1; FIG. 4 is a bottom view of the ceiling fan light kit of FIG. 1;

FIG. 5 is a front side view of the ceiling fan light kit of FIG. 1 with rear, left and right side views being mirror images thereof;

FIG. 6 is a bottom perspective view of a ceiling fan light kit of FIG. 1 having transparent glass according to a second embodiment of the invention.

FIG. 7 is a top perspective view of the ceiling fan light kit of FIG. 6;

FIG. 8 is a top view of the ceiling fan light kit of FIG. 6; FIG. 9 is a bottom view of the ceiling fan light kit of FIG. 6;

FIG. 10 is a front side view of the ceiling fan light kit of FIG. 6;

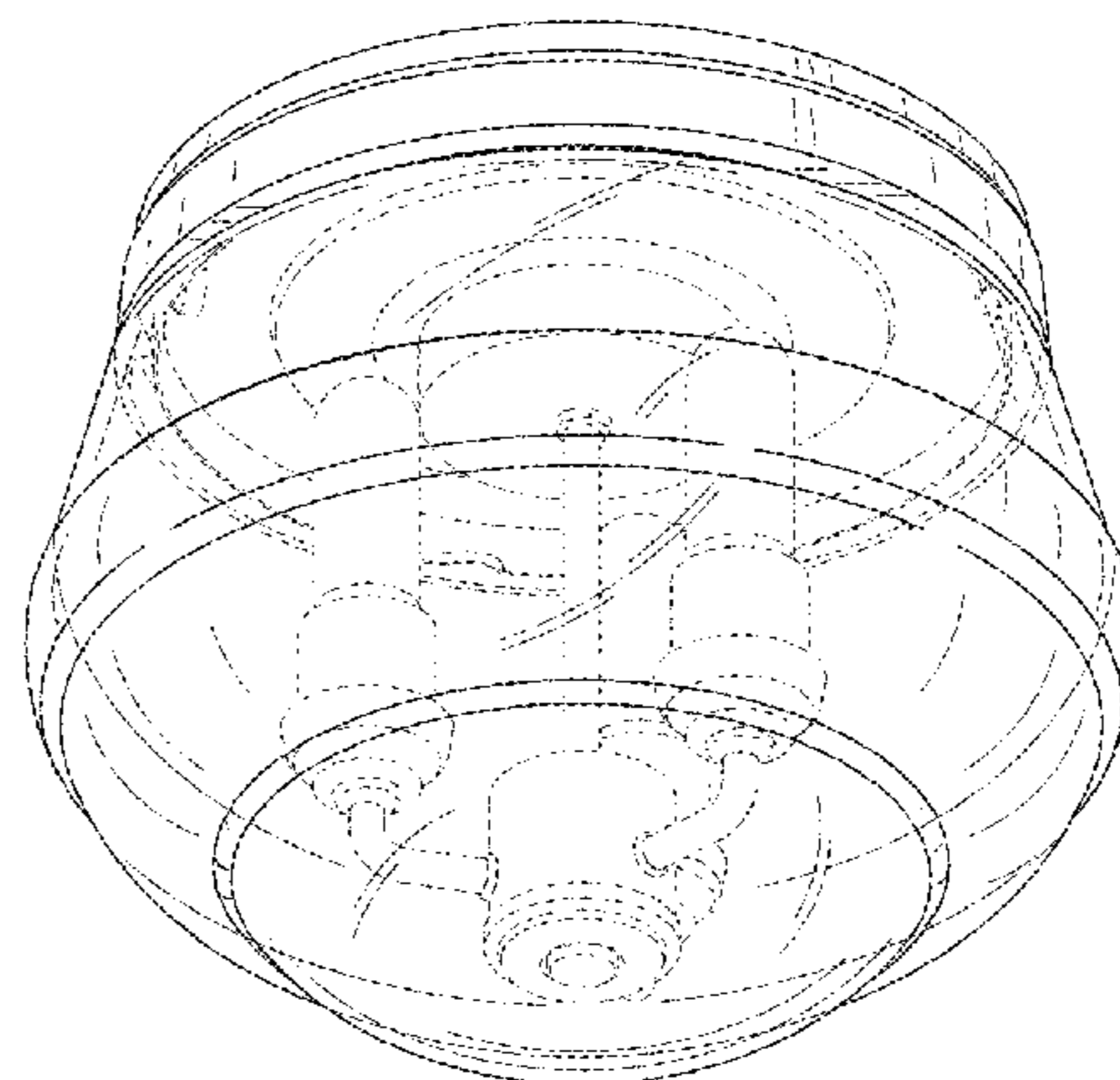
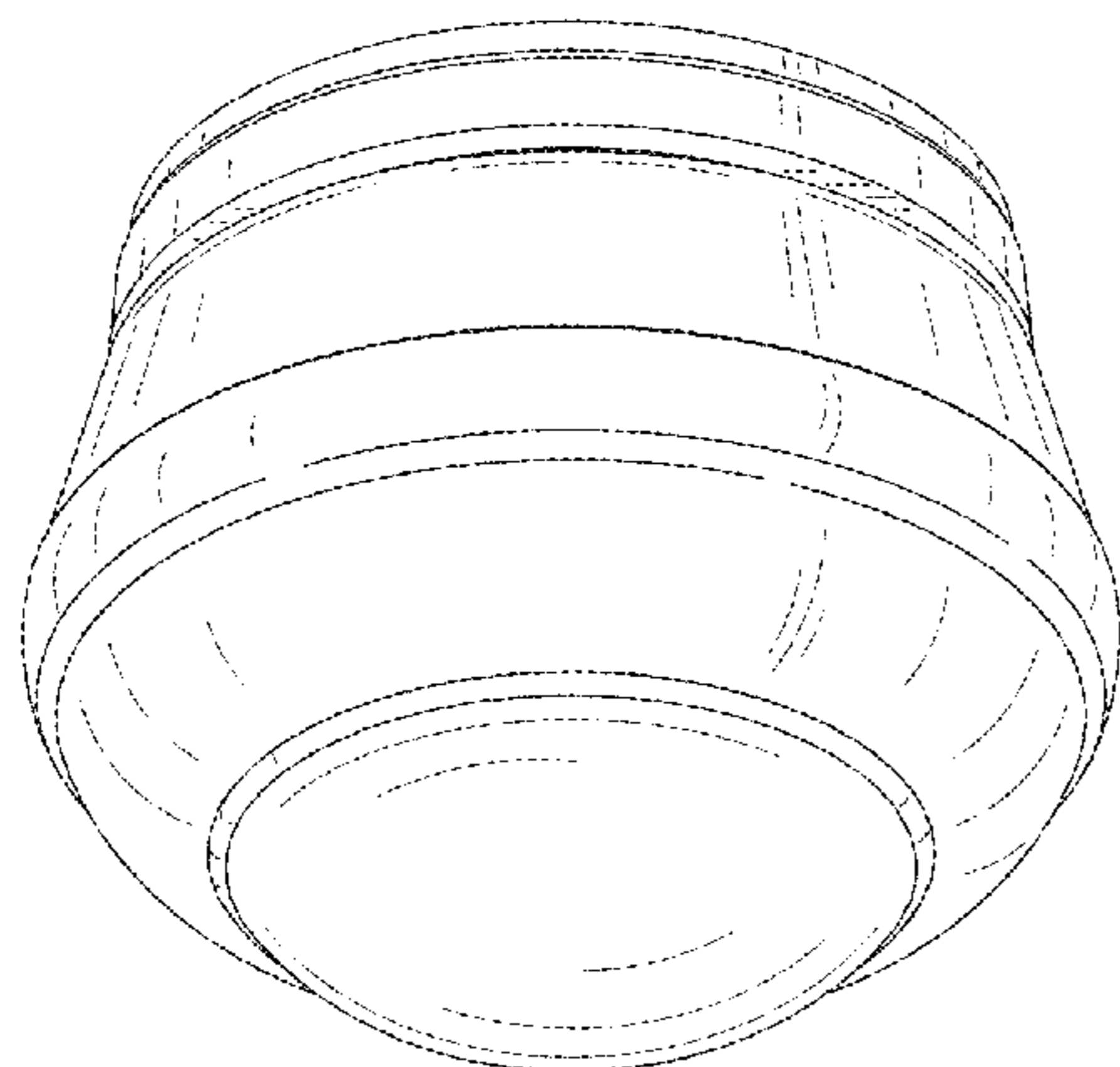
FIG. 11 is a rear side view of the ceiling fan light kit of FIG. 6;

FIG. 12 is a right side view of the ceiling fan light kit of FIG. 6; and,

FIG. 13 is a left side view of the ceiling fan light kit of FIG. 6.

The broken lines illustrate portions of the ceiling fan light kit and form no part of the claimed design.

**1 Claim, 7 Drawing Sheets**



- (58) **Field of Classification Search**  
 CPC .... F04D 25/088; F21V 33/0096; F21V 21/03;  
 F21V 17/002; F21V 23/007; F21V 23/04;  
 F21V 23/0485; F21V 15/01; F21V  
 19/006; F21V 19/04; F21V 21/02; F21V  
 23/002; F21V 23/005; F21V 33/0052;  
 F21V 7/22

See application file for complete search history.

D743,528 S	11/2015	Wang	
D744,633 S	12/2015	Wang	
D770,672 S *	11/2016	Ju	D26/128
D774,237 S *	12/2016	Stolte	D26/89
D776,326 S *	1/2017	Van Winkle	D26/89
D803,380 S *	11/2017	Holmes	D23/377
2003/0219340 A1 *	11/2003	Hidalgo	F04D 25/088 416/206

(56) **References Cited**

U.S. PATENT DOCUMENTS

D94,686 S *	2/1935	Guild et al.	D26/88
4,076,598 A	2/1978	Lemer et al.	
D270,942 S	10/1983	McCain	
D328,951 S *	8/1992	Scofield	D23/411
5,151,011 A	9/1992	Rezek	
D339,204 S *	9/1993	Holbrook	D26/85
D344,606 S *	2/1994	Fouke	D26/130
D346,439 S	4/1994	Liu	
D393,902 S	4/1998	Pickett	
D406,377 S *	3/1999	Pearce	D26/135
D407,814 S	4/1999	Lin	
D426,339 S *	6/2000	Chen	D26/142
D427,672 S	7/2000	Lee	
D428,485 S	7/2000	Dolan	
D442,275 S	5/2001	Dolan	
D447,829 S *	9/2001	Bradford	D26/85
D449,372 S	10/2001	Gajewski	
D449,682 S	10/2001	Gajewski	
D454,633 S	3/2002	Young	
D466,206 S	11/2002	Gajewski	
D468,049 S *	12/2002	Ries	D26/89
D475,782 S	6/2003	Hidalgo	
D476,408 S	6/2003	Hidalgo	
D477,068 S *	7/2003	Hsieh	D23/377
D477,397 S	7/2003	Chen	
D478,974 S	8/2003	Hidalgo	
D478,980 S	8/2003	Hidalgo	
D480,133 S	9/2003	Chen	
D485,903 S	1/2004	Hsu	
D492,762 S	7/2004	Young	
D505,196 S *	5/2005	Bacon	D23/411
D512,139 S	11/2005	Hidalgo	
D531,306 S	10/2006	Badarello	
D532,104 S	11/2006	Pickett	
D534,268 S	12/2006	Young	
D536,085 S *	1/2007	Clymer	D23/377
D551,753 S	9/2007	Ertze	
D553,731 S	10/2007	Bucher et al.	
D566,259 S	4/2008	Bucher et al.	
D572,814 S	7/2008	Bucher et al.	
D576,265 S *	9/2008	Bucher	D23/377
D583,493 S	12/2008	Bucher et al.	
D607,096 S *	12/2009	Searle	D23/377
D618,849 S	6/2010	Allegretti	
D627,054 S	11/2010	Pan	
D630,312 S	1/2011	Spaulding	
D645,135 S	9/2011	Orozco	
D645,583 S *	9/2011	Kim	D26/2
D671,632 S	11/2012	Jones et al.	
D694,463 S *	11/2013	Sieczkowski	D26/124
D700,983 S	3/2014	Ertze	
D706,410 S	6/2014	Pan	

OTHER PUBLICATIONS

<http://www.fanimation.com/products/index.php/fans/crestford.html>, Item Specification for the Fanimation Crestford Model No: FP7954, accessed Mar. 3, 2016.

<http://www.craftmade.com/Craftmade-FB60OBG5-Oiled-Bronze-Gilded-Outdoor-Ceiling-Fan.HTM>, Item Specification for the Craftmade Fredericksburg 60" Ceiling Fan Blades Included in Oiled Bronze Gilded with Clear See Product #: FB60OBG5, accessed Mar. 3, 2016.

<http://www.modernfan.com/products/cloud.html>, Item Specification for the Modern Fan Cloud, accessed Mar. 3, 2016.

<http://www.kichler.com/products/product/maor-patio-65-ceiling-fan-weathered-zinc-wzc-31013.aspx>, Item Specification for the Kichler Maor Patio Collection, Maor Patio 65" Ceiling Fan—Weathered Zinc WZC 310136WZC, accessed Mar. 3, 2016.

<http://www.kichler.com/products/product/54-inch-porters-lake-fan-mdw-310110mdw.aspx>, Item Specification for the Kichler Porters Lake Fan, 54 Inch Porters Lake Fan MDW 310110MDW (Mediterranean Walnut), accessed Mar. 3, 2016.

<http://www.fanimation.com/products/crestford>, Item Specification for the Fanimation Crestford Model No. FP7954, accessed Mar. 3, 2016.

<http://www.craftmade.com/Craftmade-FB60OBG5-Oiled-Bronze-Gilded-Outdoor-Ceiling-Fan.HTM>, Item Specification for the Craftmade Fredericksburg 60" Ceiling Fan Blades Included in Oiled Bronze Gilded with Clear See Product #: FB60OBG5 (647881105471-167849), accessed Mar. 3, 2016.

<http://www.craftmade.com/Craftmade-B556C-SE1-Walnut-Ceiling-Fan-Blades.HTM>, Item Specification for the Craftmade B556C Blades 56" Custom Carved Blade in Seville Walnut (Blades Sold Separately) Product #: B556C-SE1, accessed Mar. 3, 2016.

Minka Aire F577-BNW Concept I Outdoor Ceiling Fan, date first available Jan. 18, 2010, amazon.com, site visited Jul. 14, 2017, Copyright 1996-2017, Available from Internet, [https://amazon.com/577-BNW-Concept-Outdoor-Ceiling-Integrated/dp/B003V6PN6Q/ref=sr\\_1\\_1?ie=UTF8&qid=1498058930&sr=8-1-spons&keywords=minka+aire+](https://amazon.com/577-BNW-Concept-Outdoor-Ceiling-Integrated/dp/B003V6PN6Q/ref=sr_1_1?ie=UTF8&qid=1498058930&sr=8-1-spons&keywords=minka+aire+).

Hampton Bay 184595 Sovana Ceiling Fan with Remote Control and Light Kit, date first available Dec. 26, 2013, amazon.com, site visited Jul. 14, 2017, Copyright 1996-2017, Available from Internet, [https://www.amazon.com/Hampton-Bay-184595-ceiling-Control/dp/B00HJC5TNU/ref=sr\\_1\\_1?ie=UTF8&qid=1500038544&sr=8-1&keywords=ha](https://www.amazon.com/Hampton-Bay-184595-ceiling-Control/dp/B00HJC5TNU/ref=sr_1_1?ie=UTF8&qid=1500038544&sr=8-1&keywords=ha).

Monte Carlo 4DDR52PND Ceiling Fans Diamond, date first available Mar. 25, 2014, amazon.com, site visited Jul. 14, 2017, Copyright 1996-2017, Available from Internet, [https://amazon.com/Monte-Carlo-4DDR52PND-Ceiling-Diamond/dp/B00VNVKVR4/ref=sr\\_1\\_1?ie=UTF8&qid=1500038684&sr=8-1&keywords=monte+carlo+diamond](https://amazon.com/Monte-Carlo-4DDR52PND-Ceiling-Diamond/dp/B00VNVKVR4/ref=sr_1_1?ie=UTF8&qid=1500038684&sr=8-1&keywords=monte+carlo+diamond).

\* cited by examiner



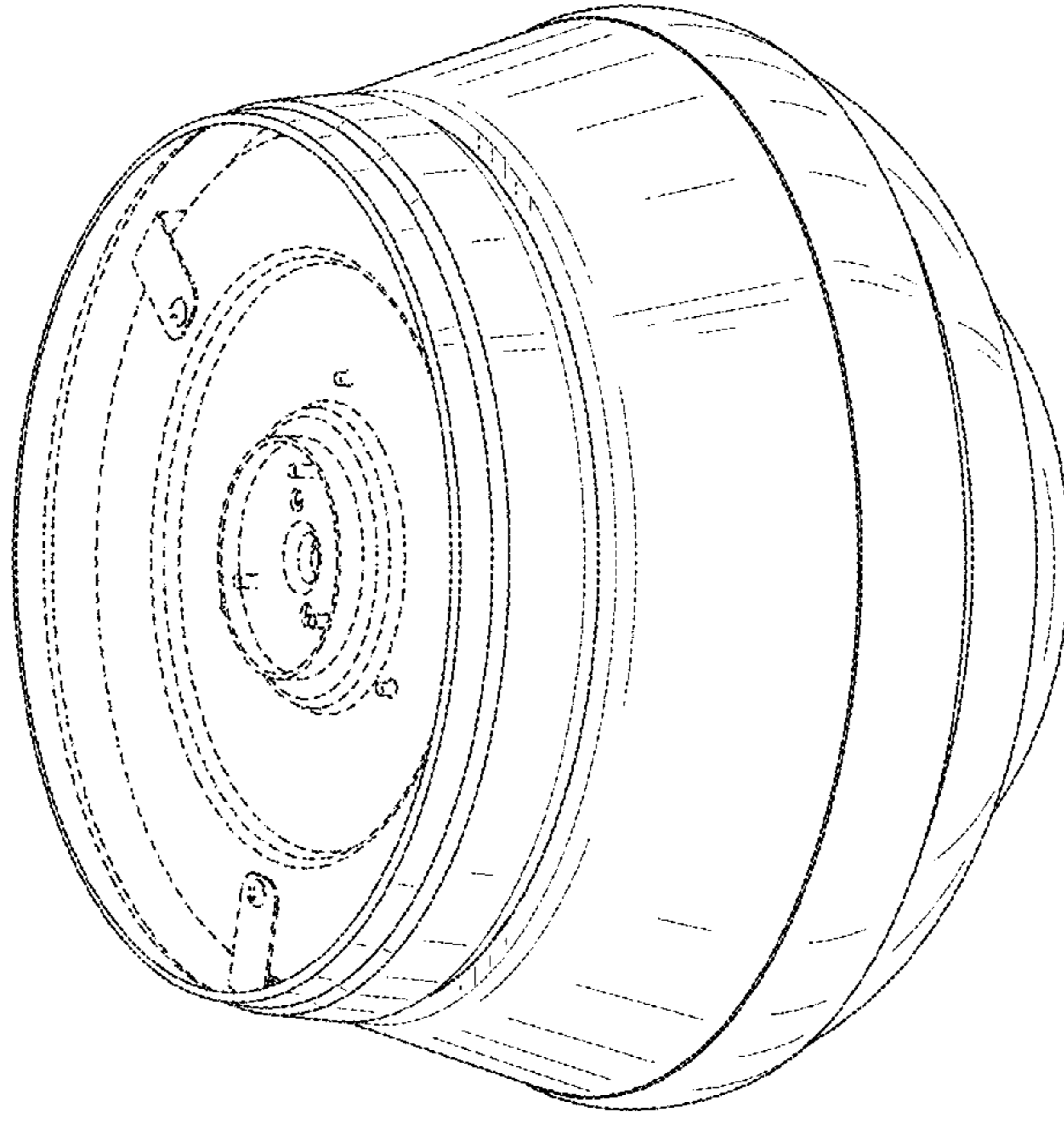


FIG. 2

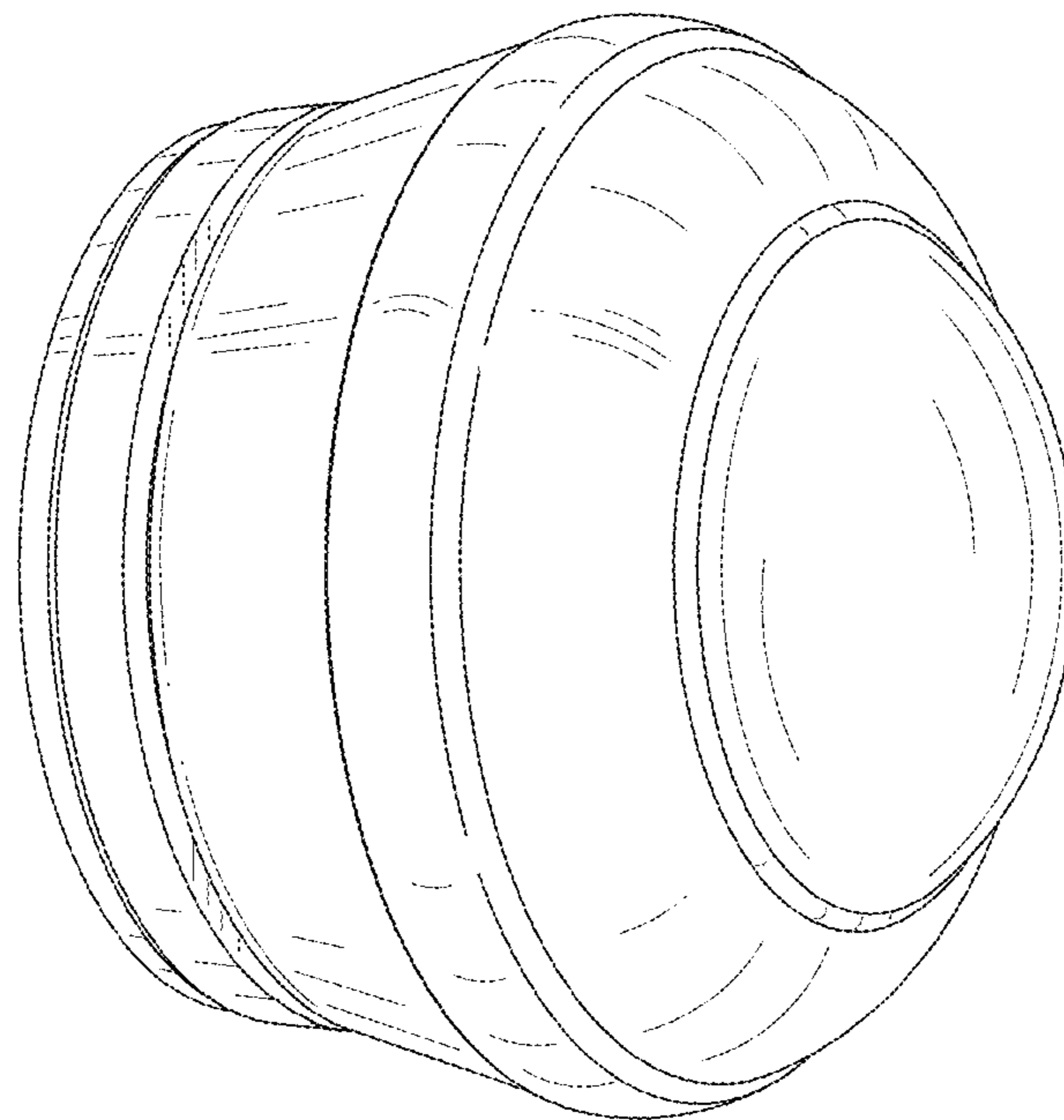


FIG. 1

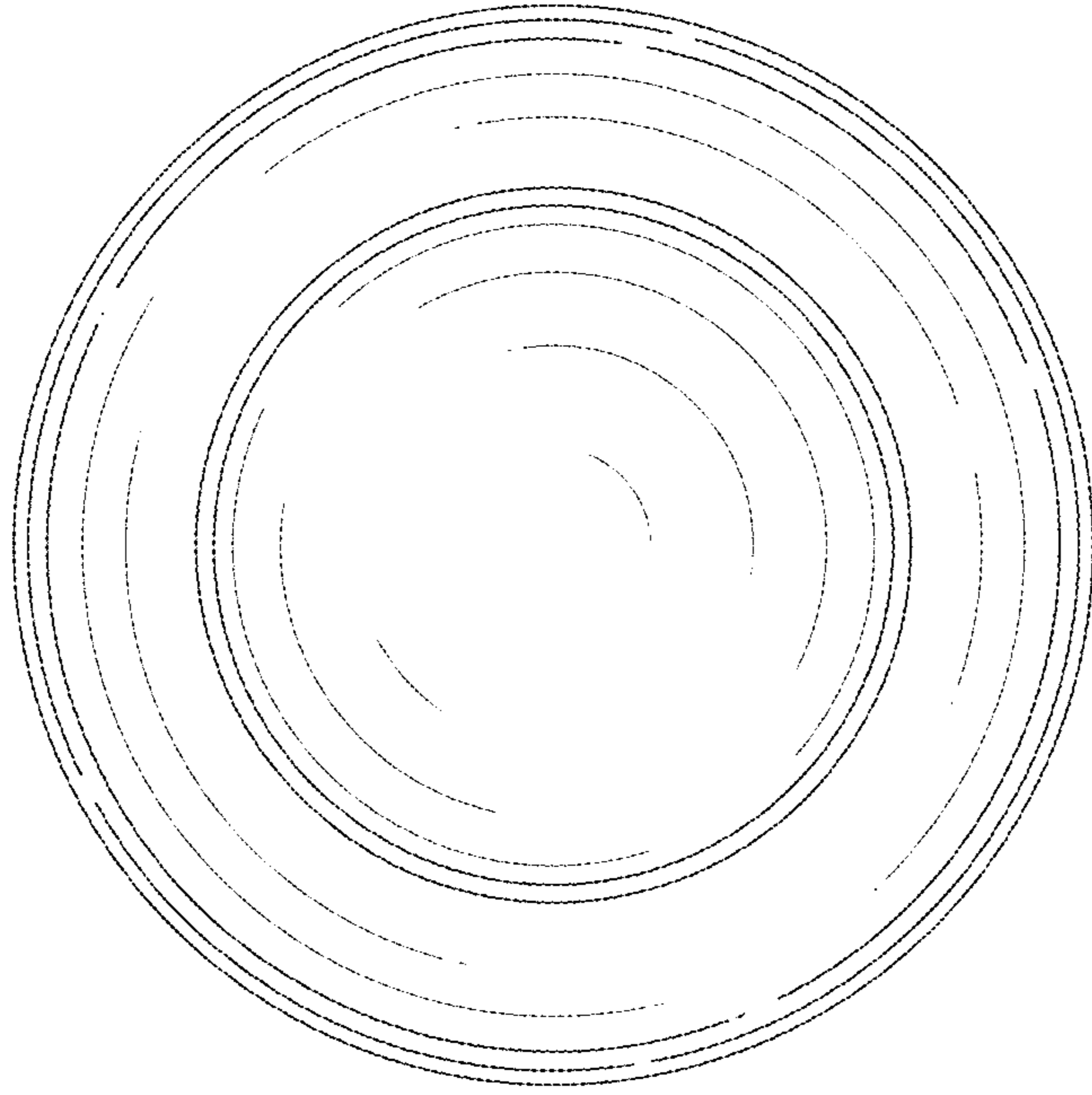


FIG. 4

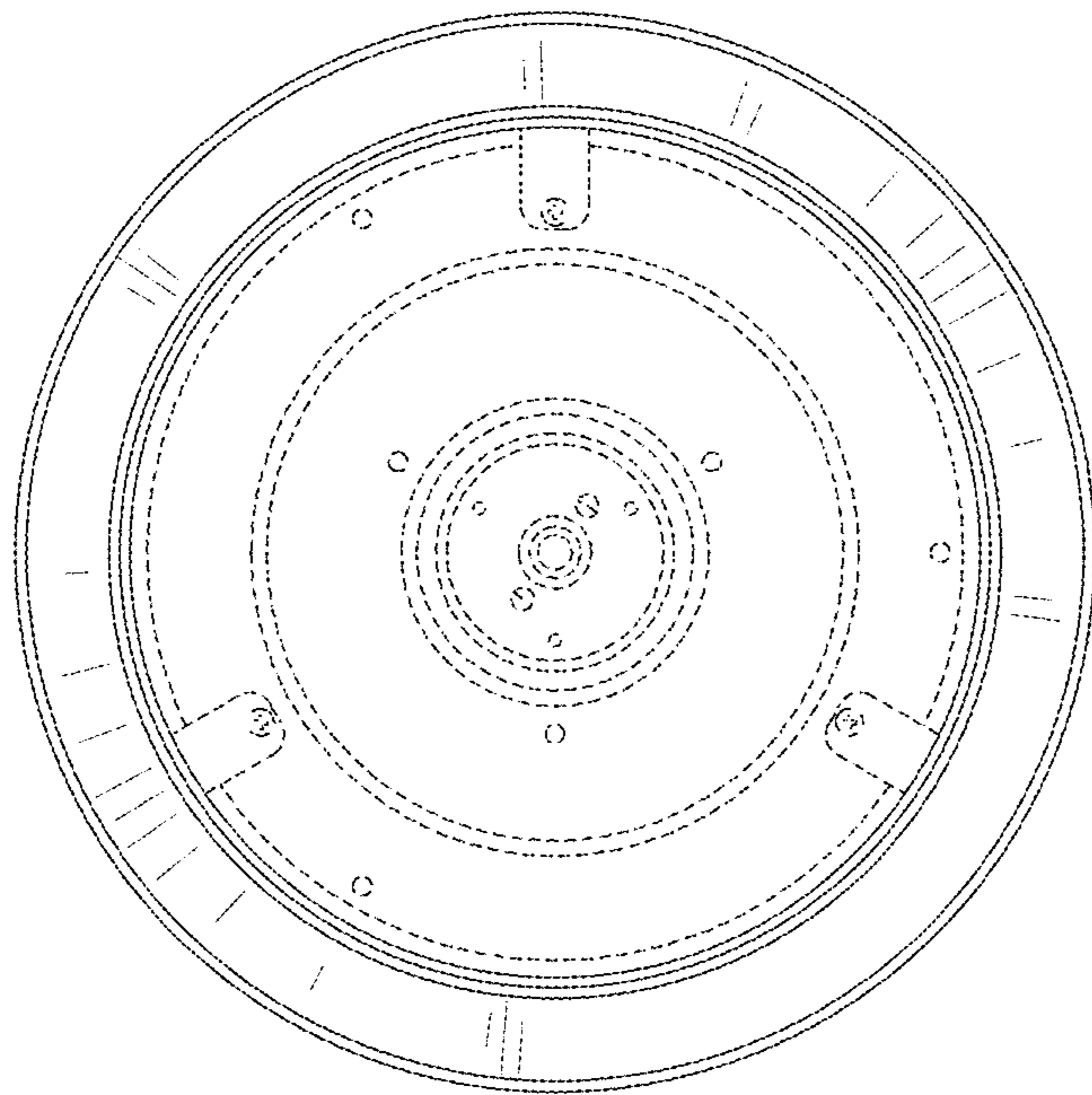


FIG. 3

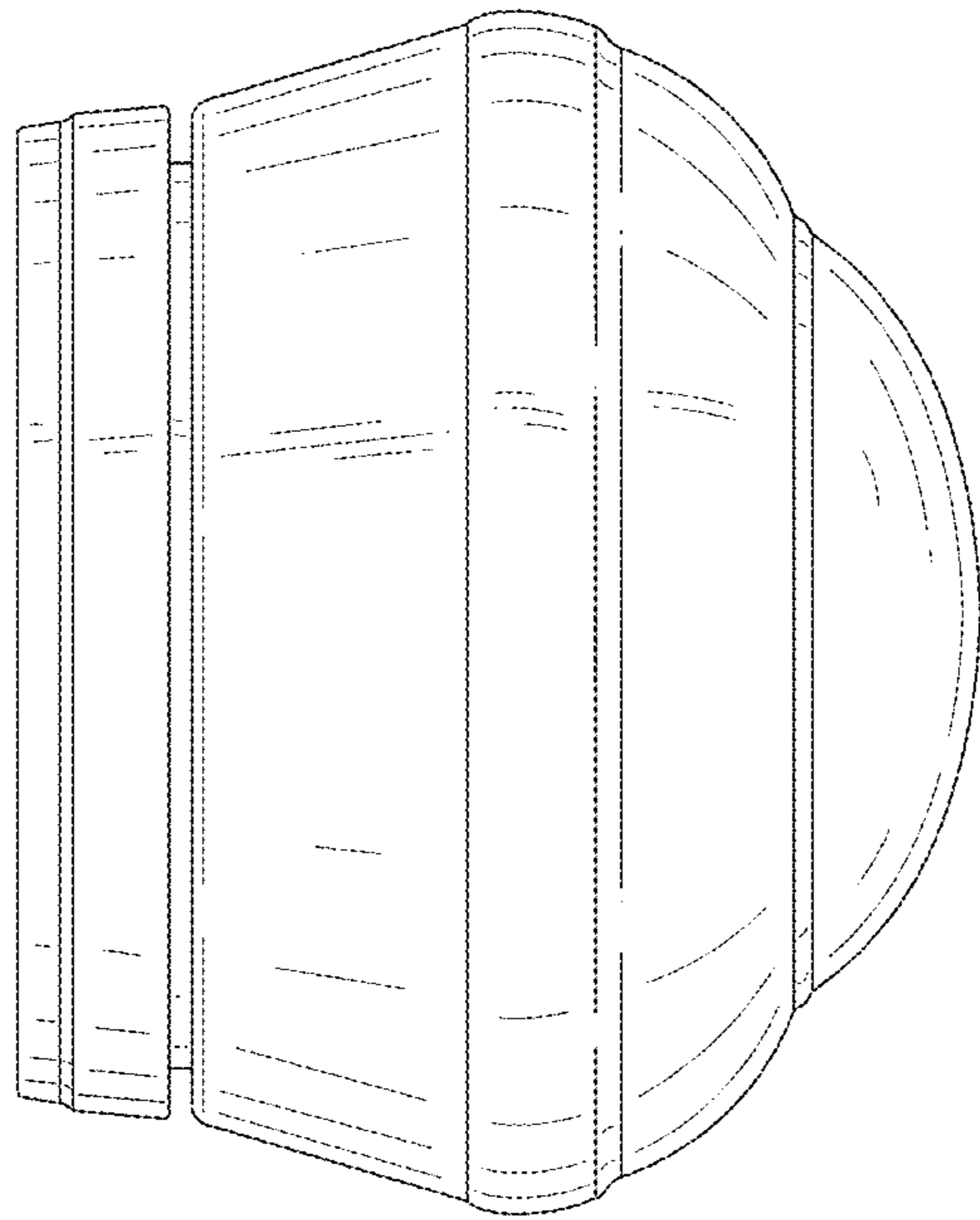


FIG. 5

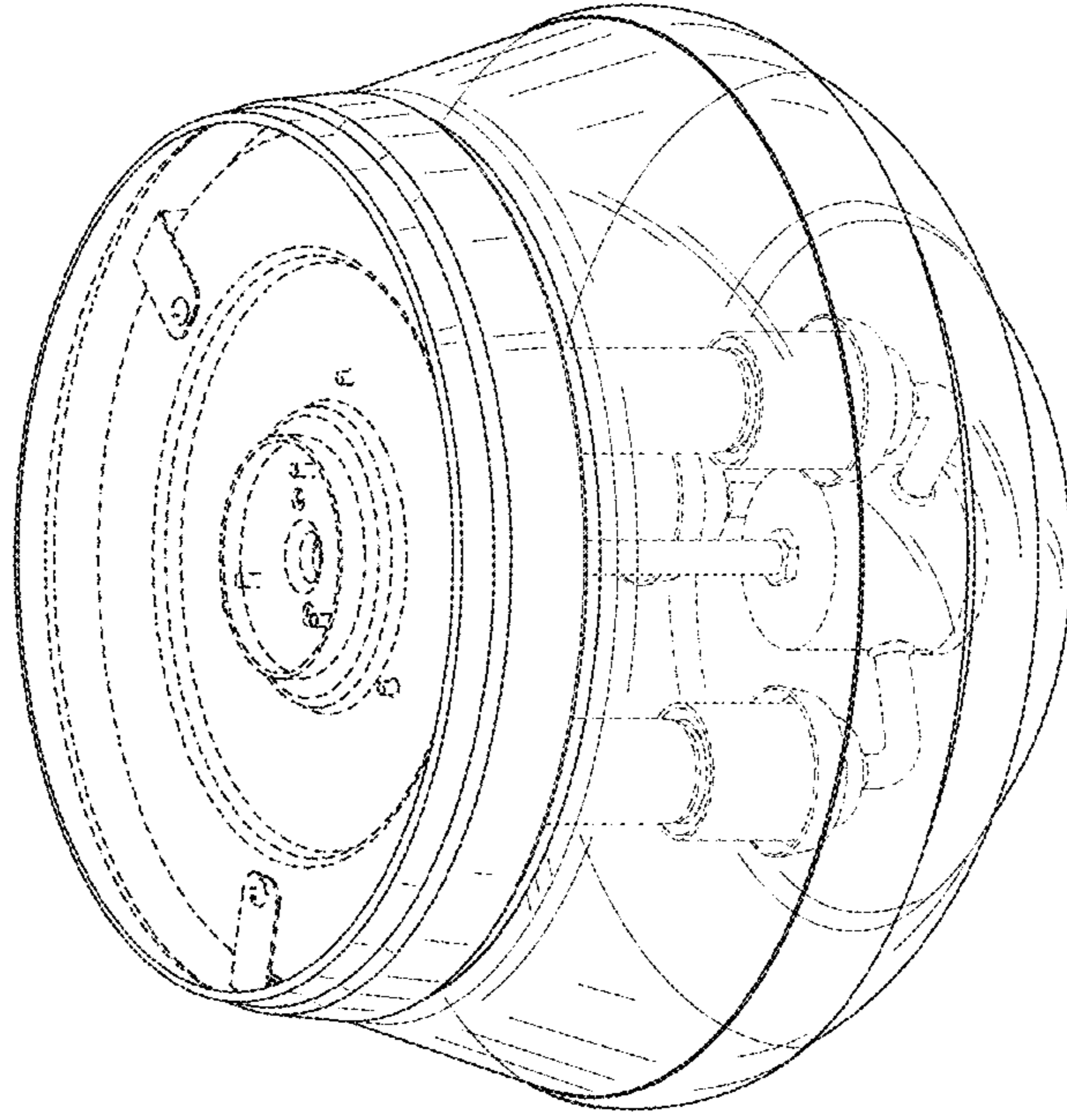


FIG. 7

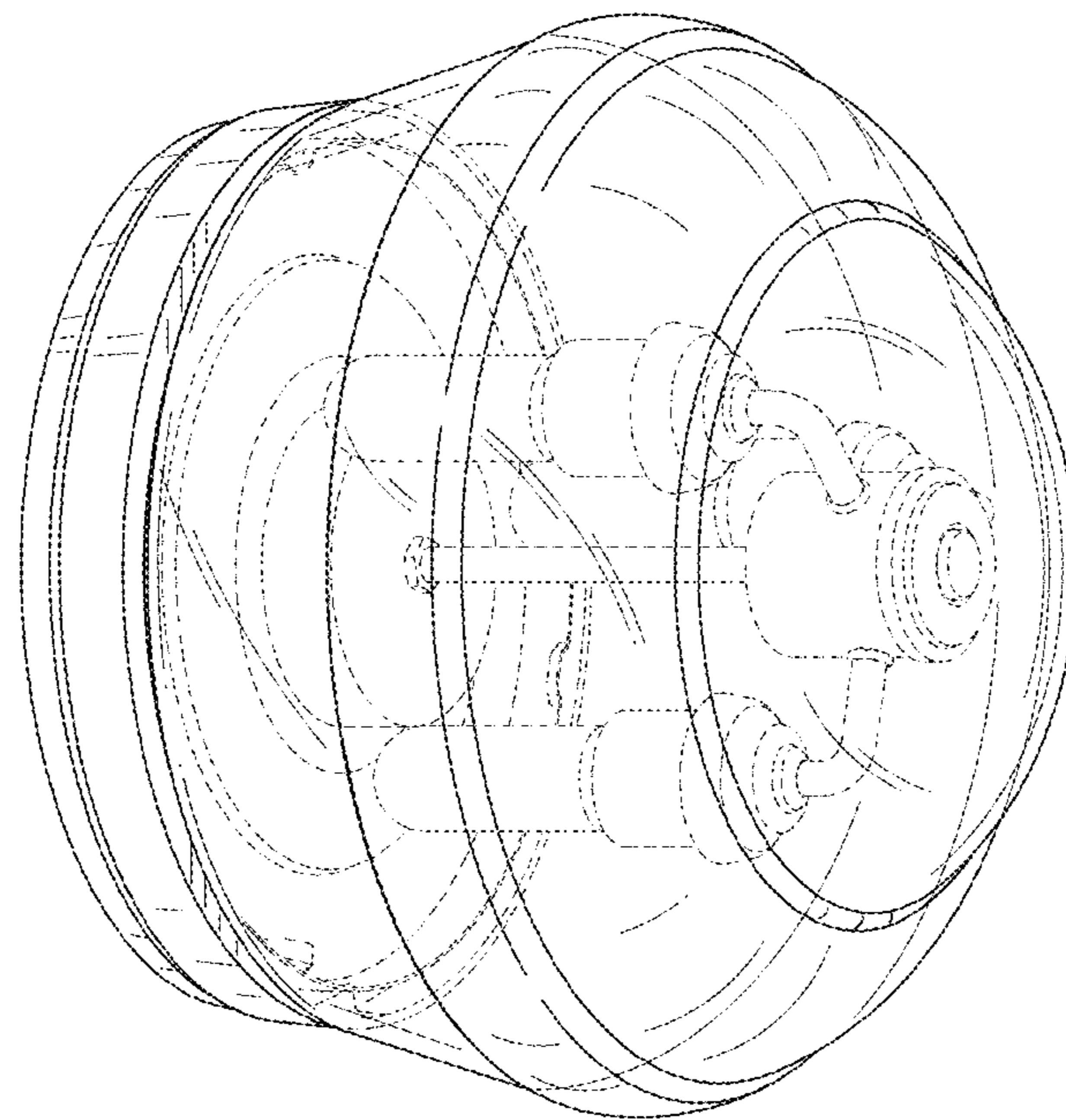


FIG. 6



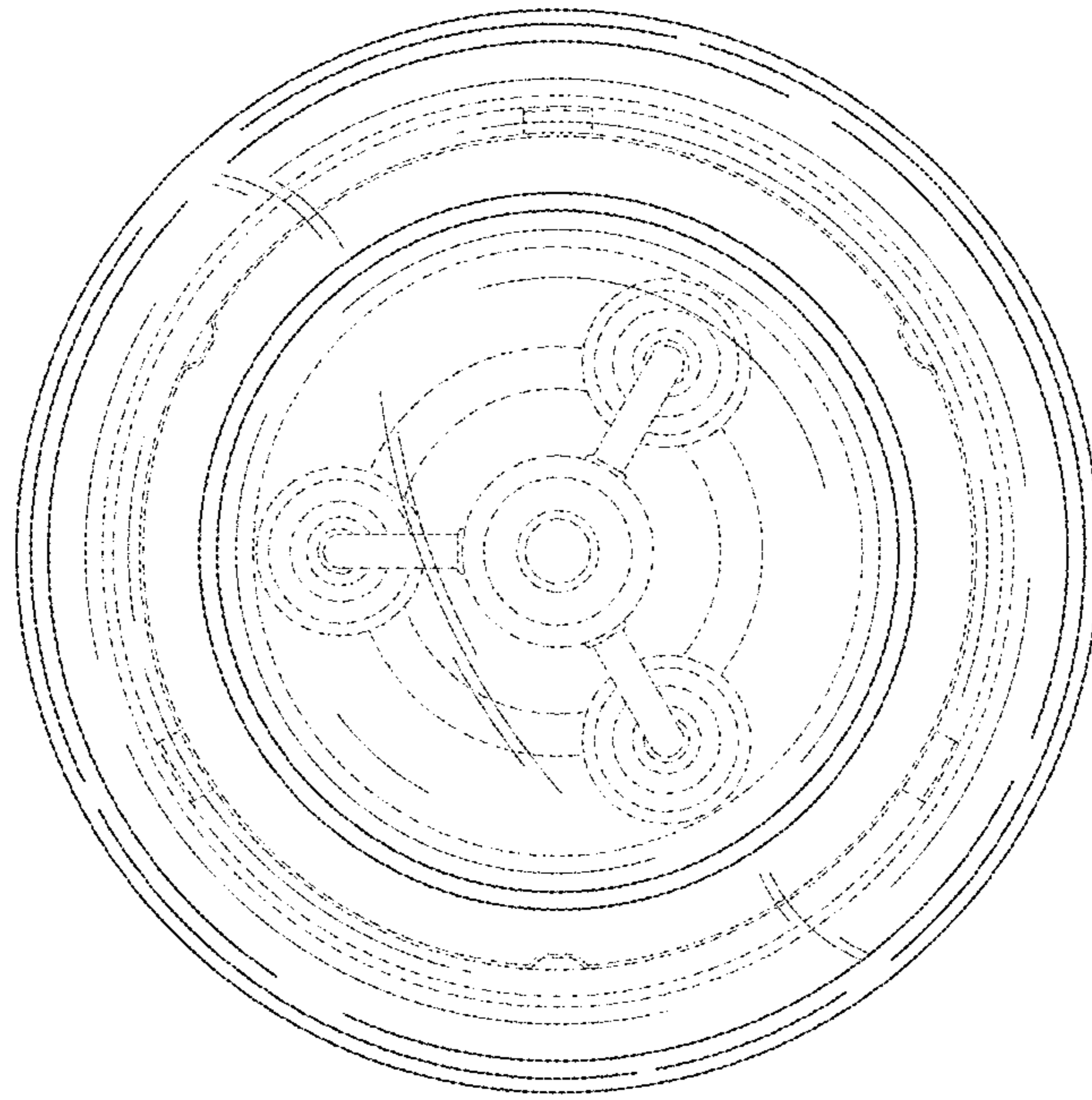


FIG. 9

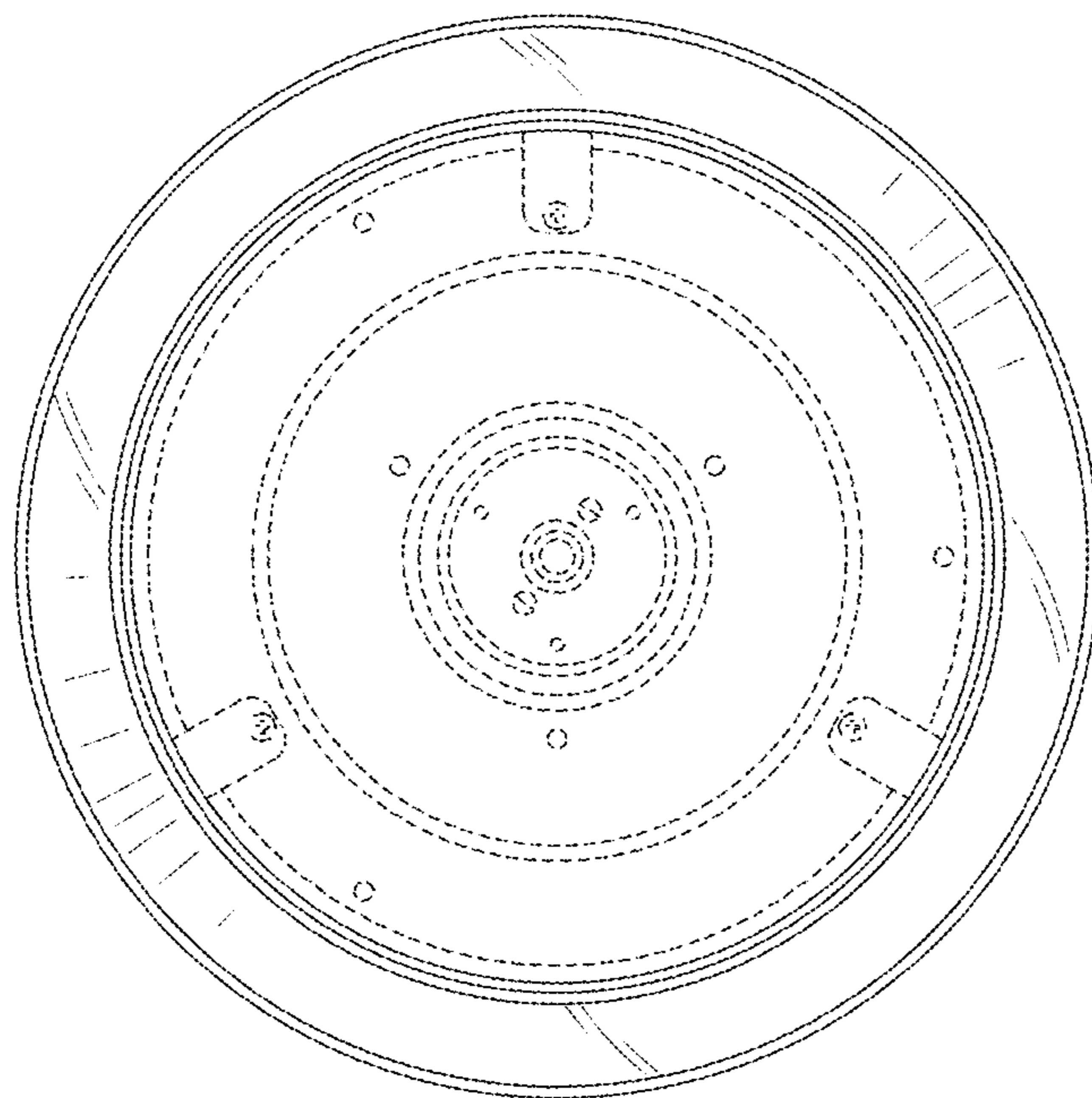


FIG. 8

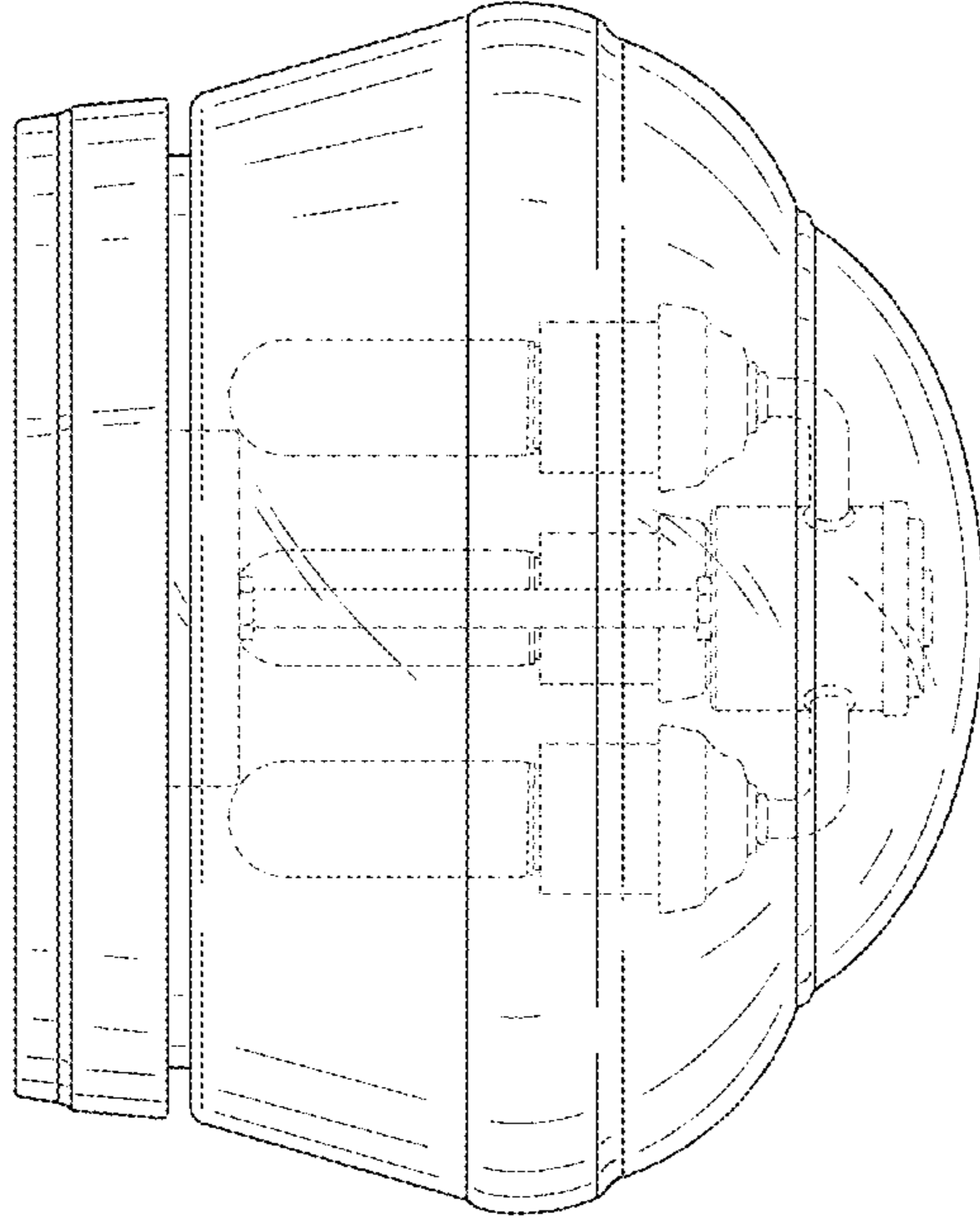


FIG. 10

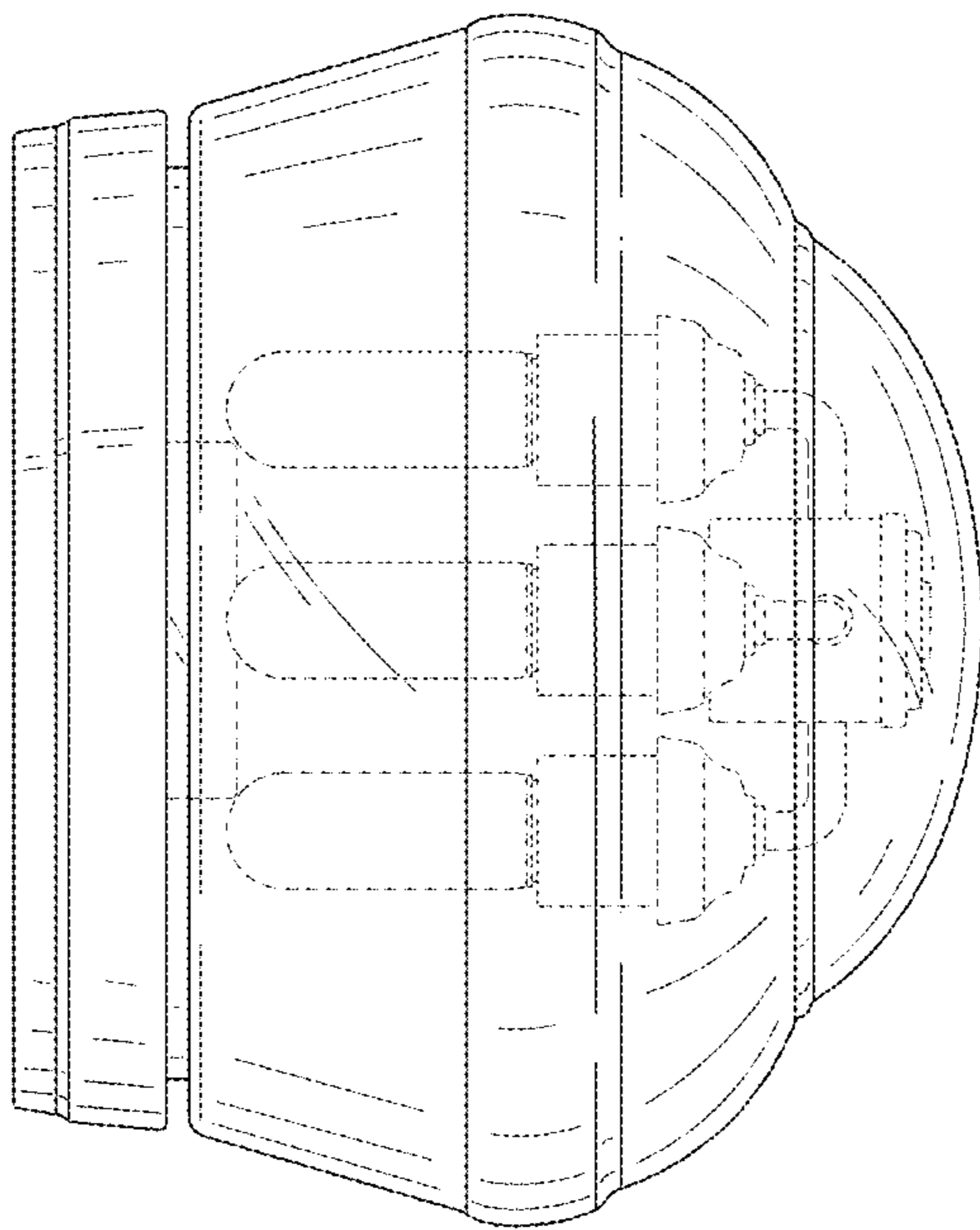


FIG. 11



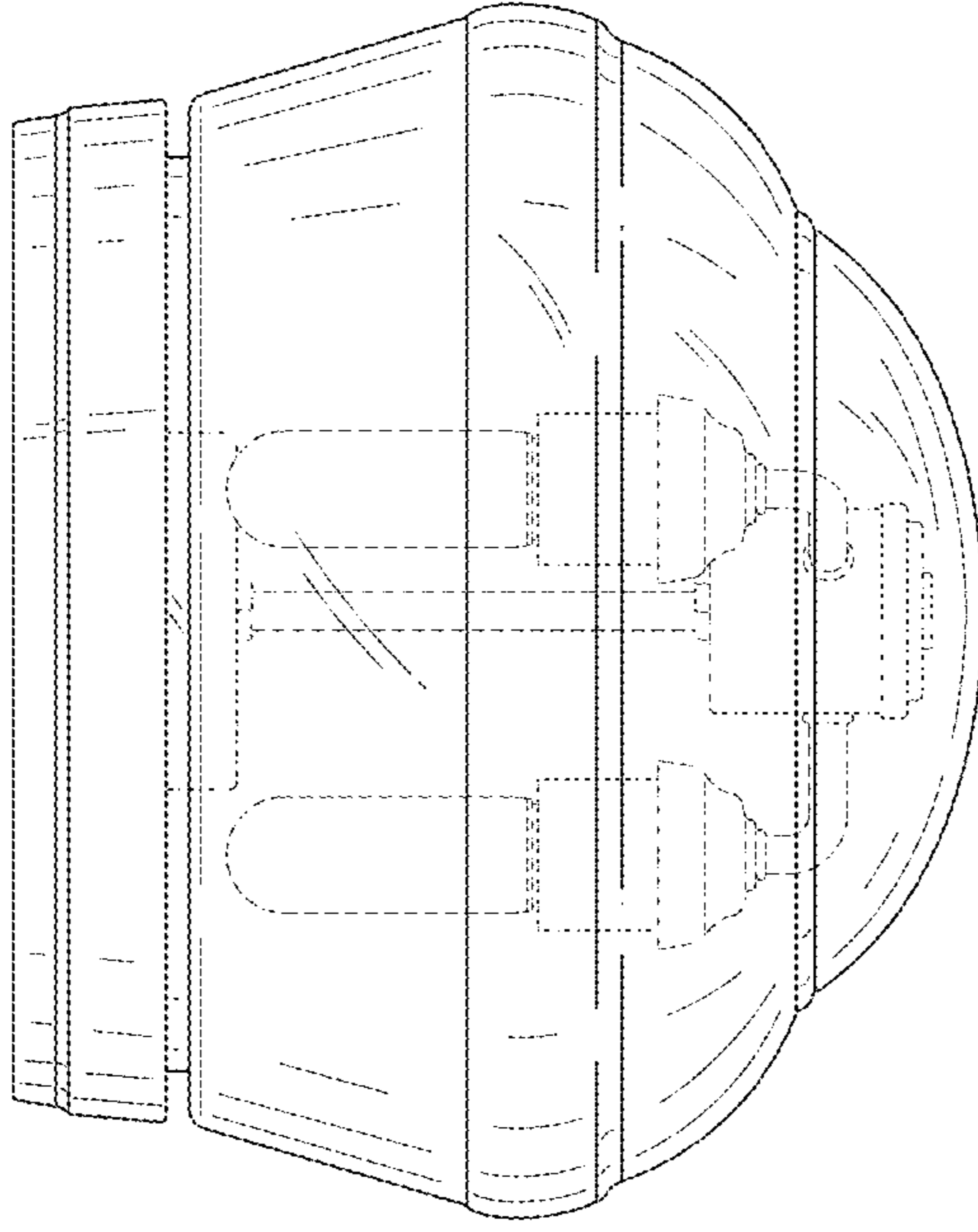


FIG. 13

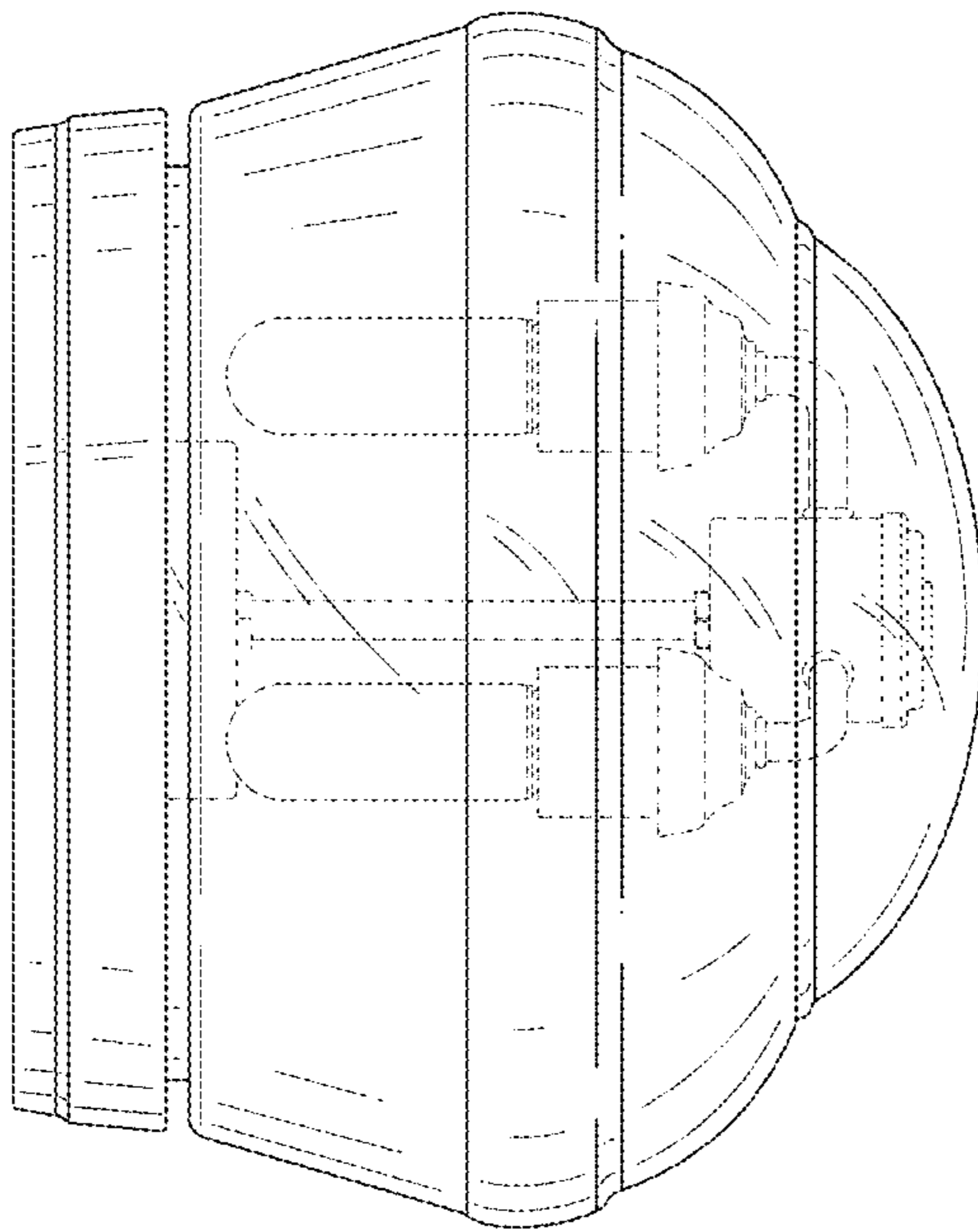


FIG. 12