



US00D828940S

(12) **United States Design Patent** (10) **Patent No.:** **US D828,940 S**  
**Qiu** (45) **Date of Patent:** **\*\* \*Sep. 18, 2018**

(54) **FLASHLIGHT**

(71) Applicant: **Ningbo Futai Electric Limited,**  
Ningbo, Zhejiang (CN)

(72) Inventor: **Fujun Qiu,** Ningbo (CN)

(73) Assignee: **Ningbo Futai Electric Limited,**  
Ningbo, Zhejiang (CN)

(\* ) Notice: This patent is subject to a terminal disclaimer.

(\*\*) Term: **15 Years**

(21) Appl. No.: **29/589,324**

(22) Filed: **Dec. 30, 2016**

(30) **Foreign Application Priority Data**

Jun. 30, 2016 (CN) ..... 2016 3 0293002

(51) **LOC (11) Cl.** ..... **26-02**

(52) **U.S. Cl.**  
USPC ..... **D26/49**

(58) **Field of Classification Search**  
USPC ..... D26/37-51  
CPC ..... F21L 2003/00; F21L 4/00; F21L 4/005;  
F21L 4/02; F21L 4/025; F21L 4/027;  
F21L 4/04; F21L 4/08; F21L 2005/00;  
F21L 7/00; F21L 11/00; F21L 13/00;  
F21L 13/04;

(Continued)

(56) **References Cited**

**U.S. PATENT DOCUMENTS**

D565,769 S \* 4/2008 Shiu ..... D26/49  
D671,249 S \* 11/2012 Sheikh ..... D26/38  
D674,943 S \* 1/2013 Sheikh ..... D22/117

(Continued)

*Primary Examiner* — Lakiya G Rogers

*Assistant Examiner* — Carissa C Fitts

(74) *Attorney, Agent, or Firm* — Raymond Y. Chan;  
David and Raymond Patent Firm

(57) **CLAIM**

The ornamental design for a flashlight, as shown and described.

**DESCRIPTION**

FIG. 1 is a front view of the flashlight showing my new design.

FIG. 2 is a rear view of the flashlight.

FIG. 3 is a left view of the flashlight.

FIG. 4 is a top view of the flashlight.

FIG. 5 is a bottom view of the flashlight.

FIG. 6 is a front perspective view of the flashlight.

FIG. 7 is a front perspective view of the flashlight, illustrating the elongated body of the flashlight.

FIG. 8 is a front view of a second embodiment of the flashlight.

FIG. 9 is a rear view of the second embodiment.

FIG. 10 is a left view of the second embodiment.

FIG. 11 is a top view of the second embodiment.

FIG. 12 is a bottom view of the second embodiment.

FIG. 13 is a front perspective view of the second embodiment.

FIG. 14 is a front perspective view of the second embodiment, illustrating the elongated body of the flashlight.

FIG. 15 is a front view of a third embodiment of the flashlight.

FIG. 16 is a rear view of the third embodiment.

FIG. 17 is a left view of the third embodiment.

FIG. 18 is a top view of the third embodiment.

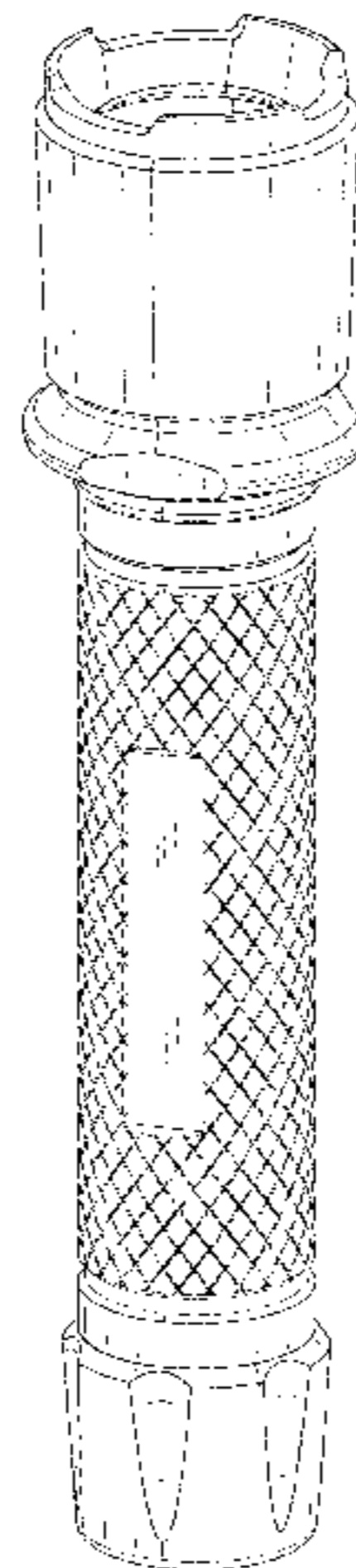
FIG. 19 is a bottom view of the third embodiment.

FIG. 20 is a front perspective view of the third embodiment; and,

FIG. 21 is a front perspective view of the third embodiment, illustrating the elongated body of the flashlight.

The broken lines shown unclaimed portions of the flashlight and form no part of the claimed design.

**1 Claim, 21 Drawing Sheets**



(58) **Field of Classification Search**

CPC . F21L 13/08; F21L 14/02; F21L 17/00; F21L  
19/00

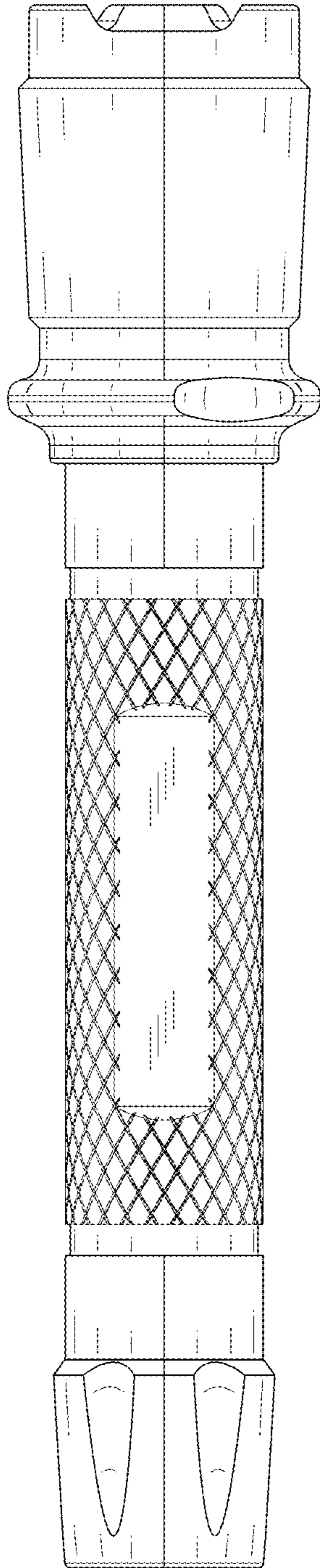
See application file for complete search history.

(56) **References Cited**

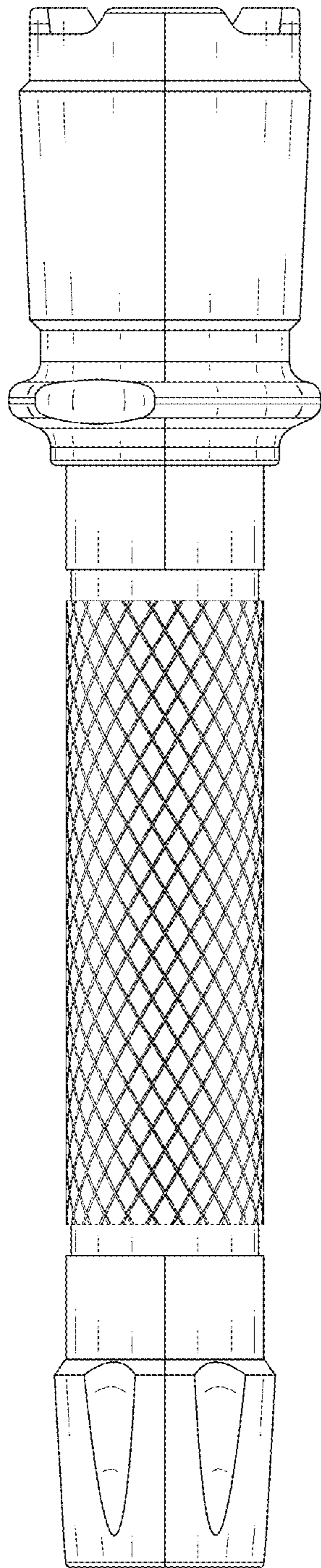
U.S. PATENT DOCUMENTS

D675,357	S	*	1/2013	Shi	.....	D26/49
D675,358	S	*	1/2013	Brands	.....	D26/49
D685,940	S	*	7/2013	Lee	.....	D26/49
D709,231	S	*	7/2014	Nguyen	.....	D26/49
D725,302	S	*	3/2015	Popper	.....	D26/49
D732,721	S	*	6/2015	Popper	.....	D26/49
D743,600	S	*	11/2015	Robinson	.....	D26/49
D745,200	S	*	12/2015	Inskeep	.....	D26/49
D745,732	S	*	12/2015	Inskeep	.....	D26/49
D747,024	S	*	1/2016	Windom	.....	D26/49
D750,306	S	*	2/2016	Windom	.....	D26/49
D757,319	S	*	5/2016	Green	.....	D26/49
D767,805	S	*	9/2016	Son	.....	D26/49
D770,071	S	*	10/2016	Windom	.....	D26/49
D783,193	S	*	4/2017	Kao	.....	D26/49
D785,842	S	*	5/2017	Huang	.....	D26/49
D794,237	S	*	8/2017	Christensen	.....	D26/49
D794,857	S	*	8/2017	Sharrah	.....	D26/49
D799,090	S	*	10/2017	Green	.....	D26/49

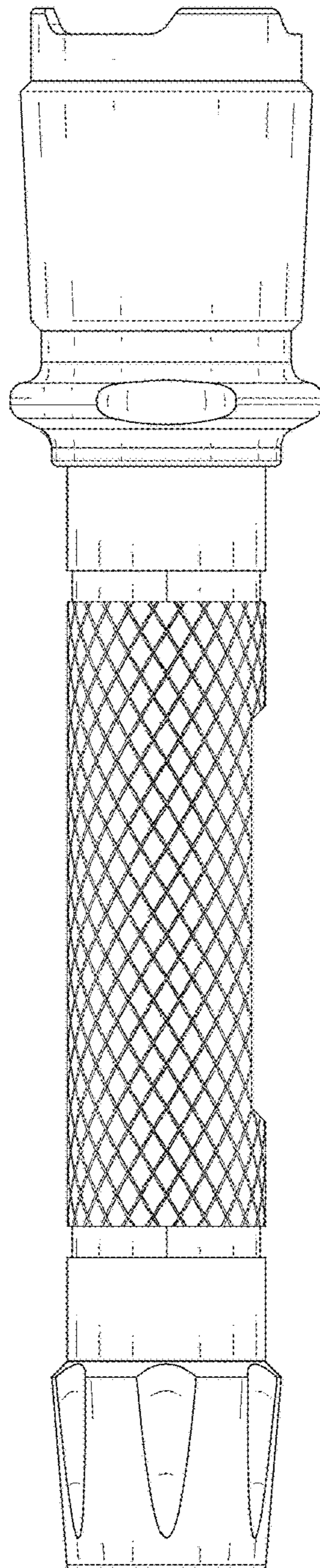
\* cited by examiner



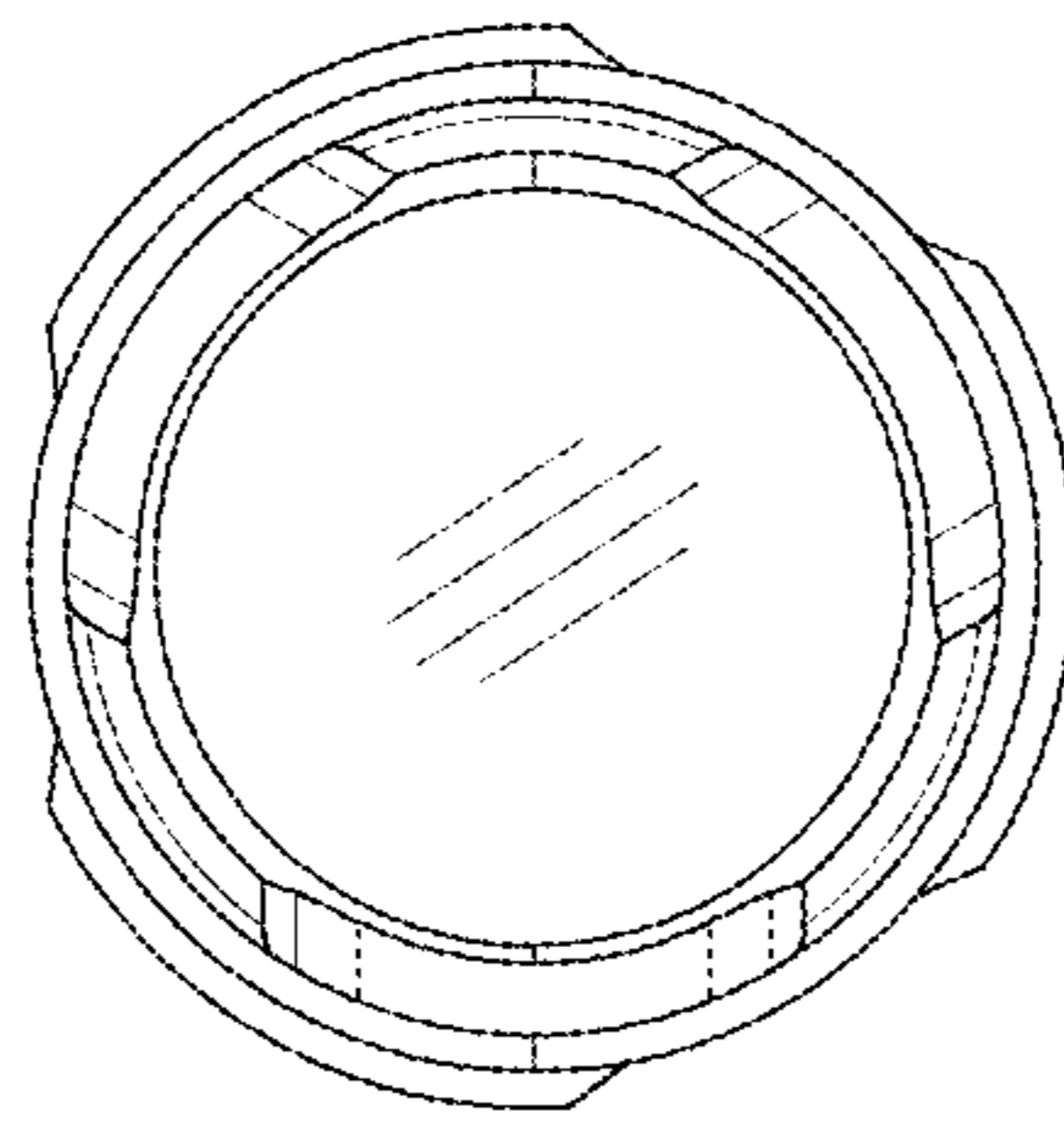
**FIG. 1**



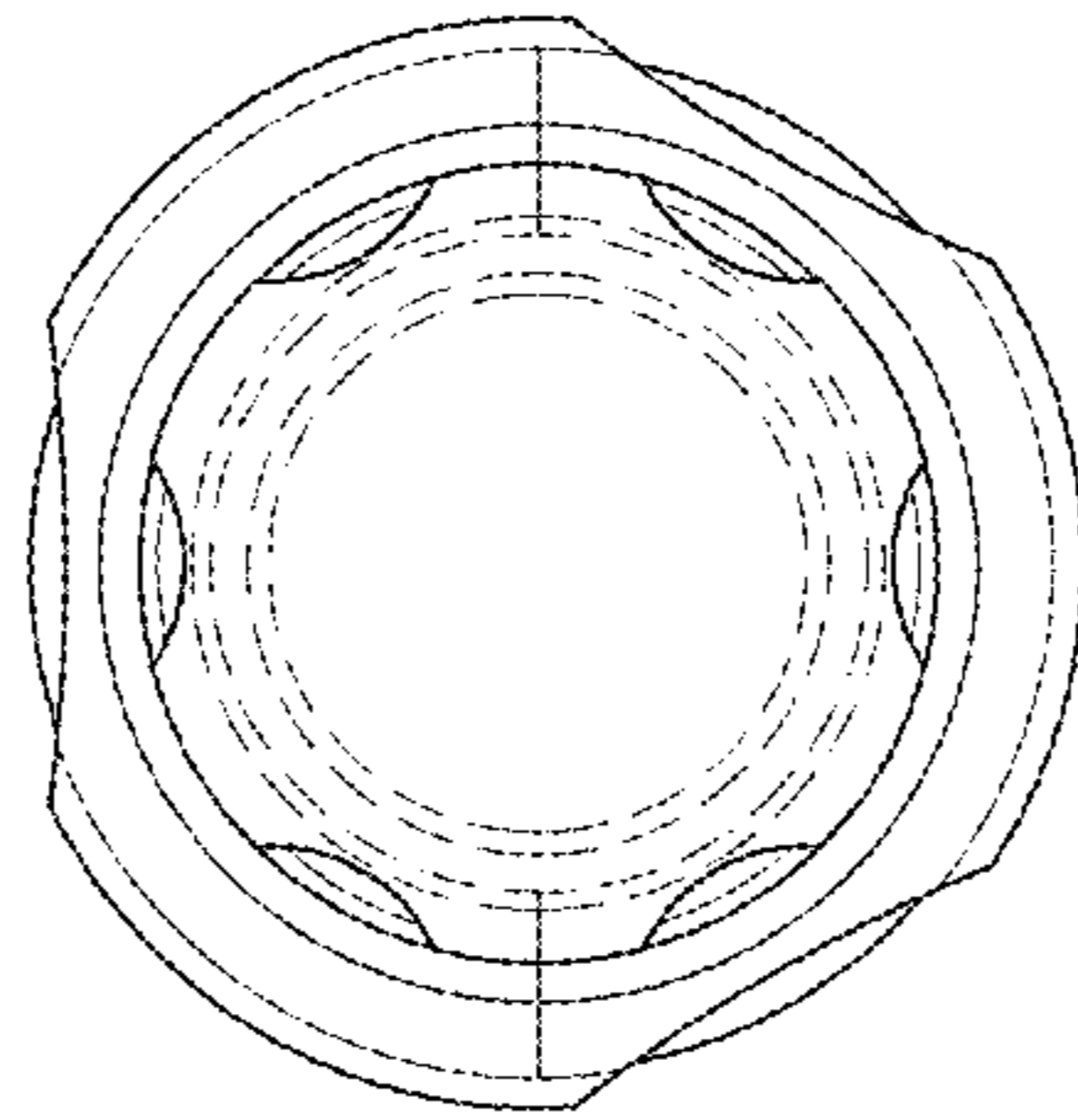
**FIG. 2**



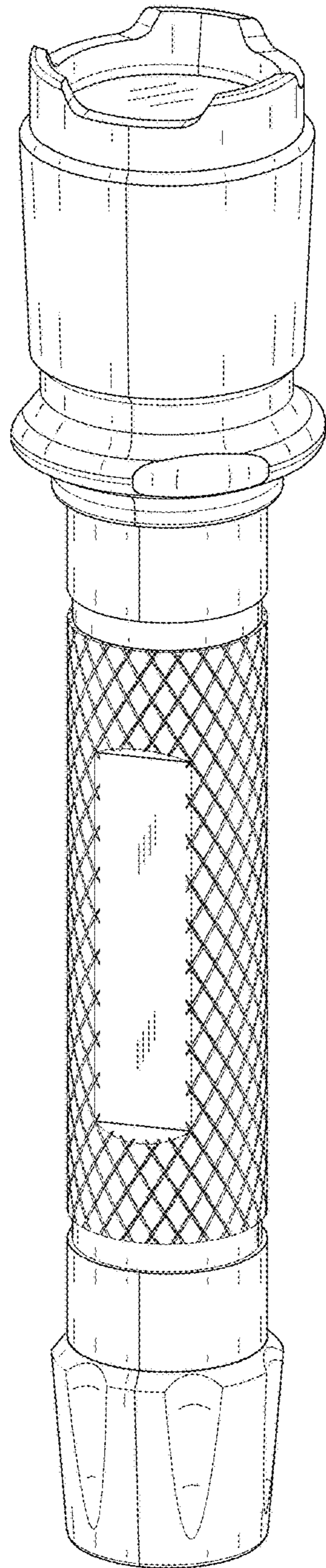
**FIG. 3**



*FIG. 4*

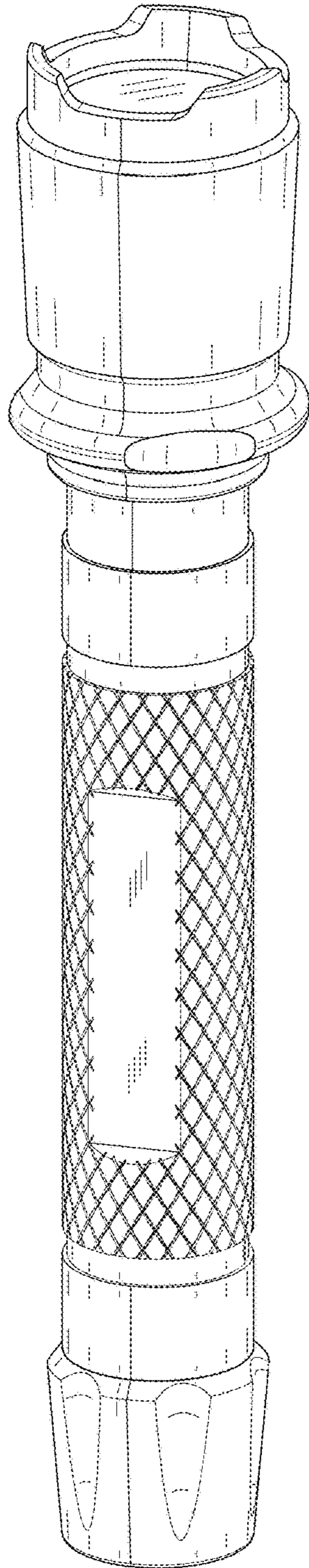


*FIG. 5*

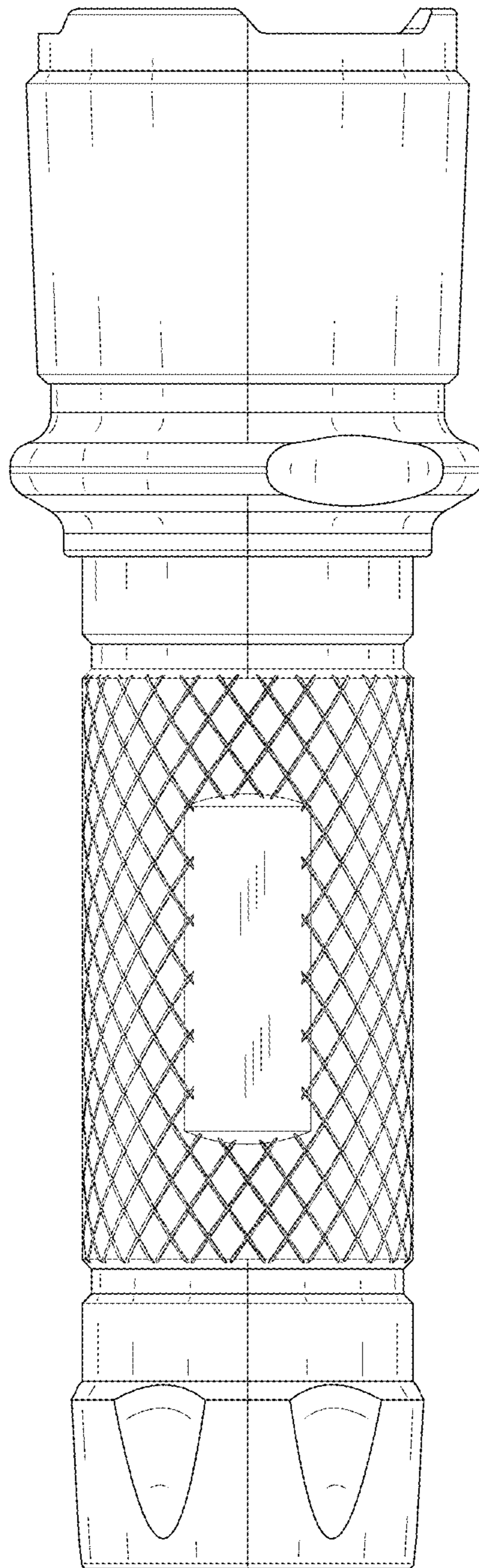


**FIG. 6**

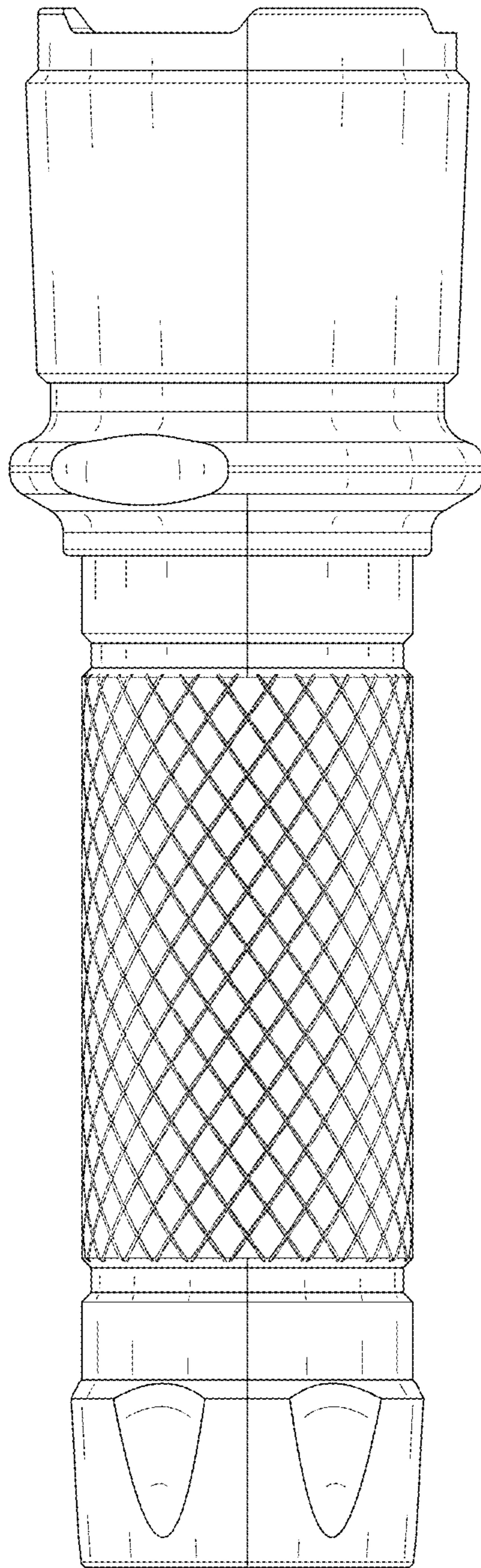




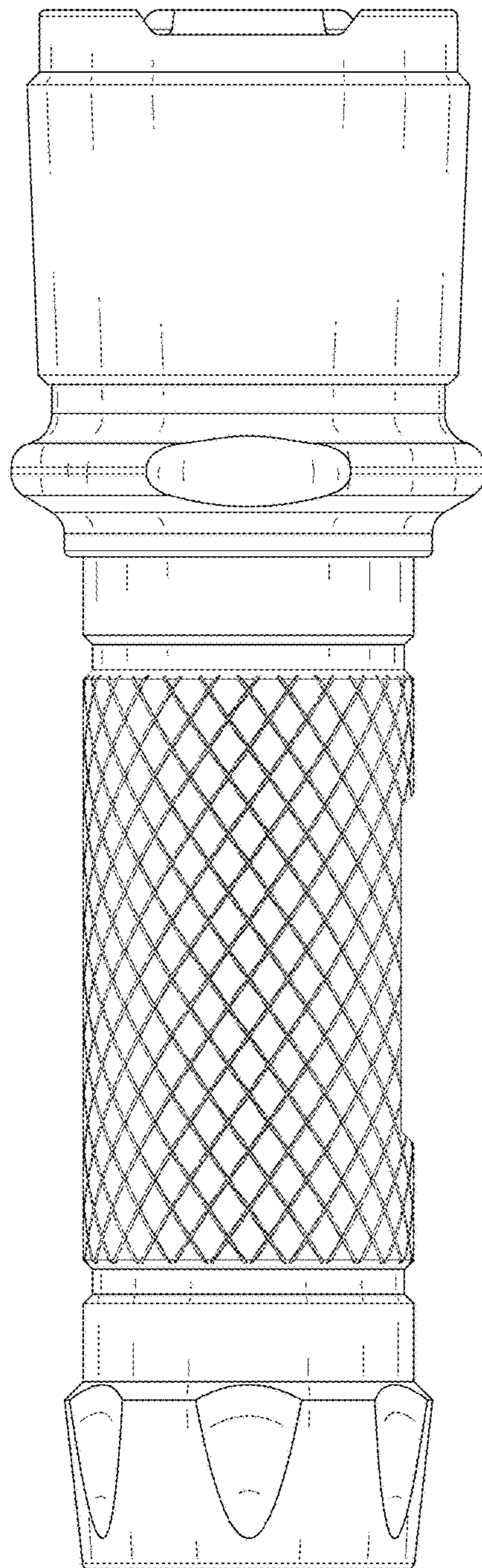
**FIG. 7**



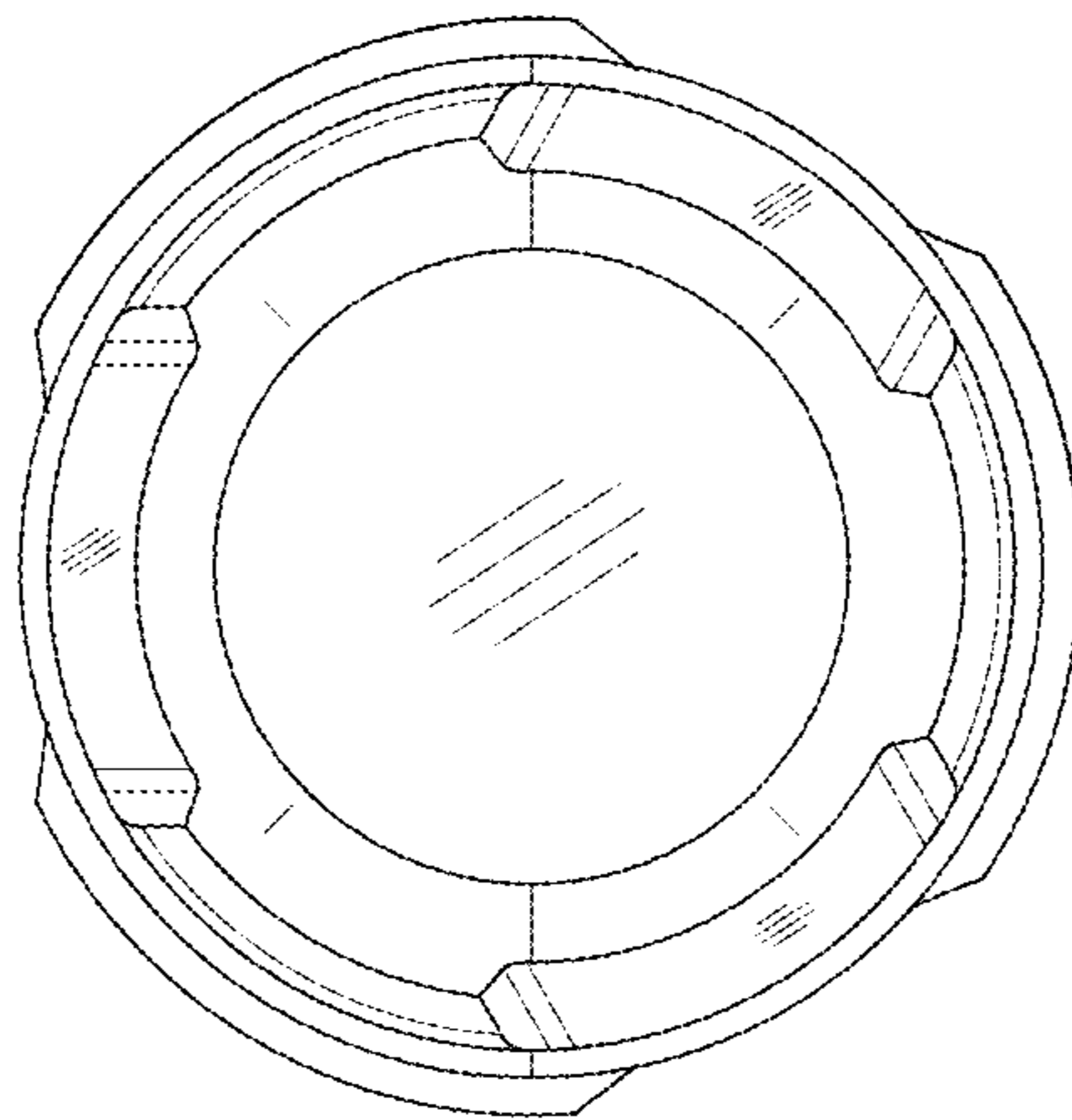
**FIG. 8**



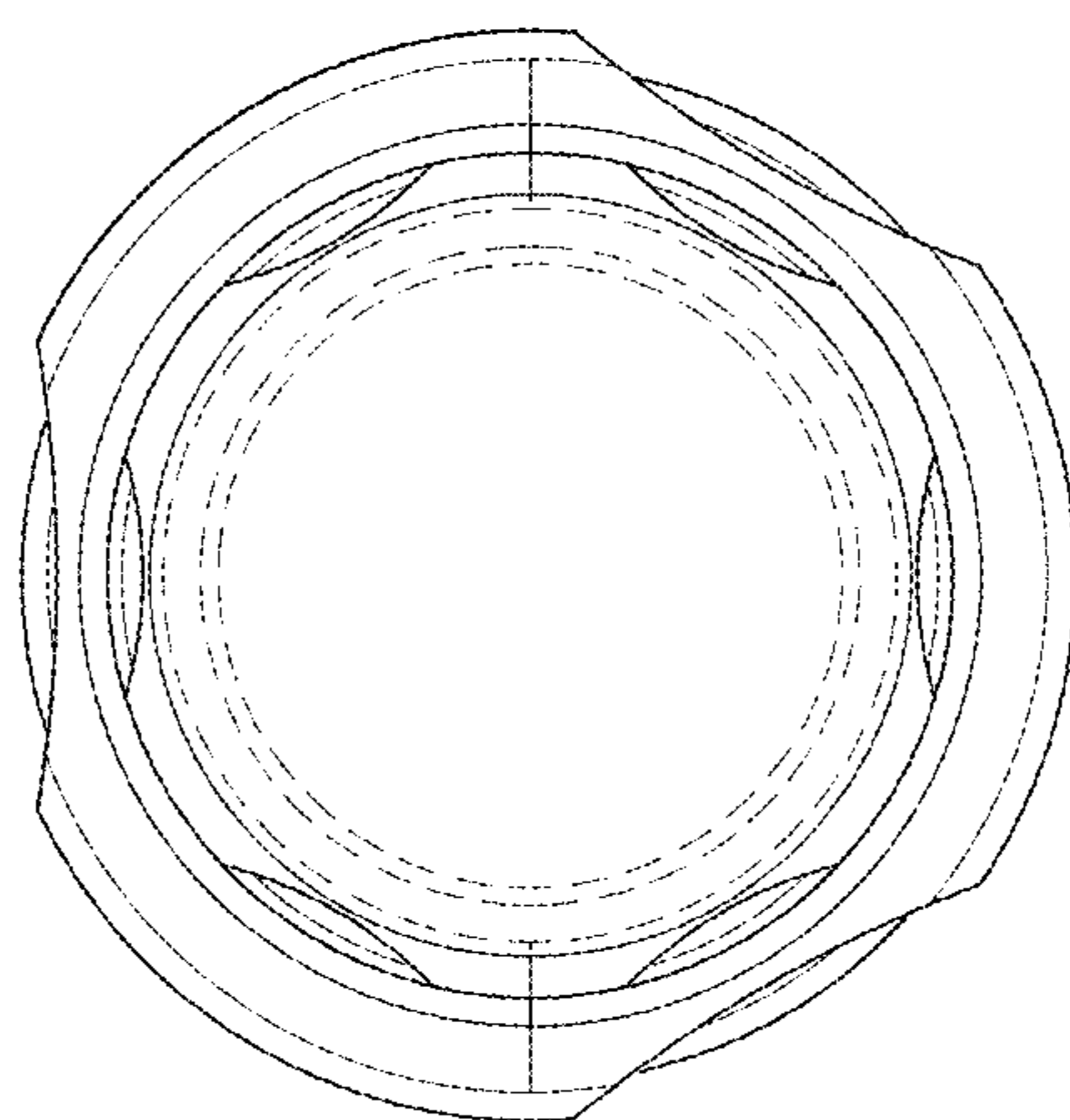
**FIG. 9**



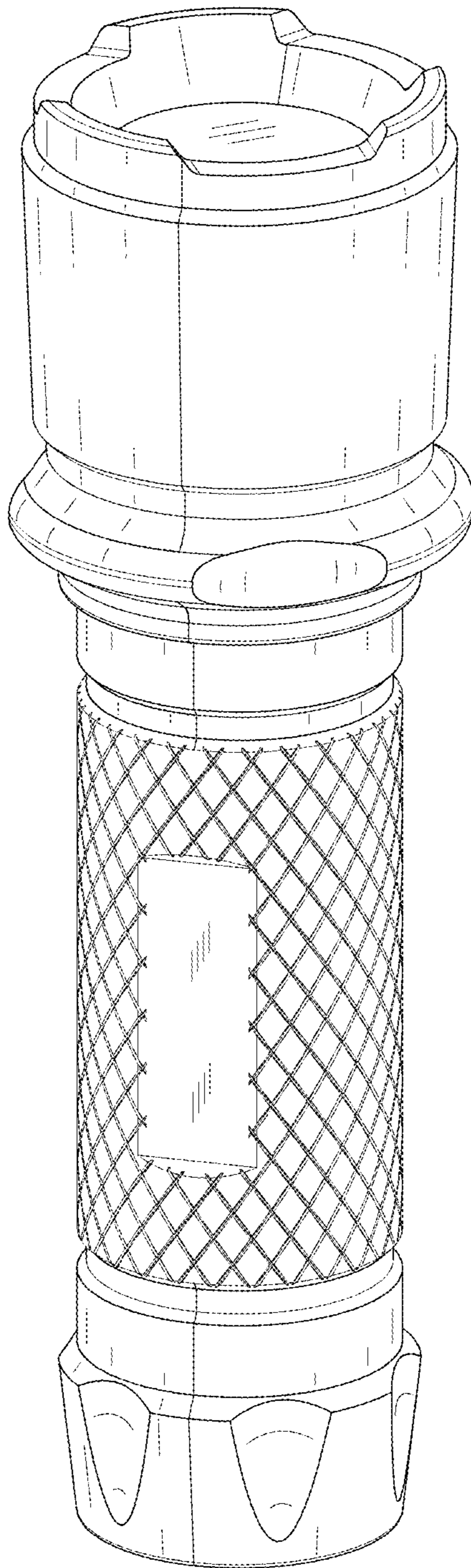
**FIG. 10**



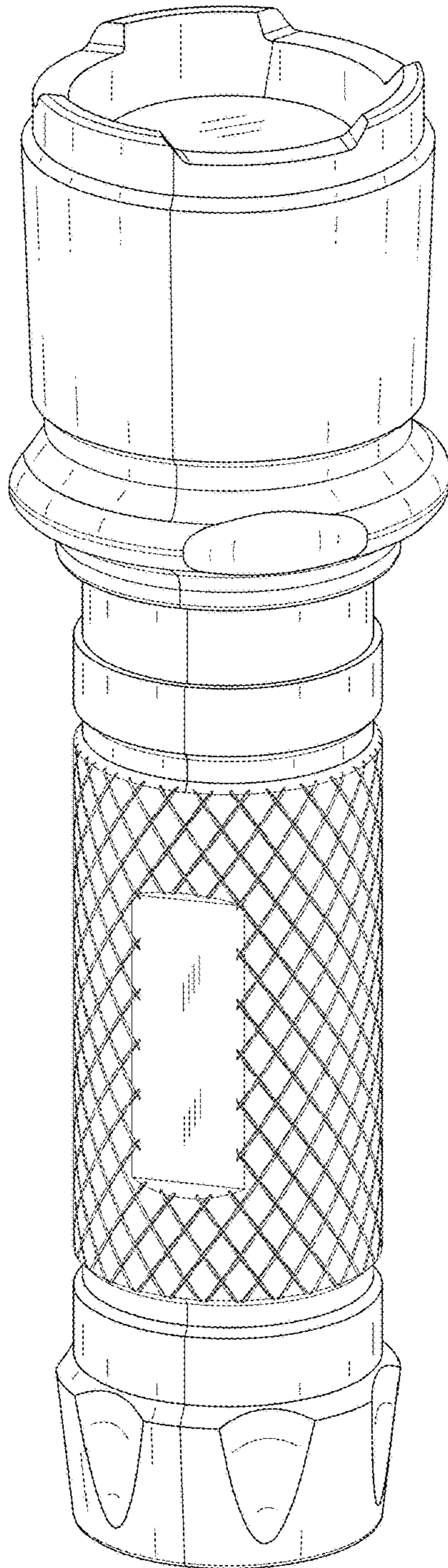
**FIG. 11**



**FIG. 12**

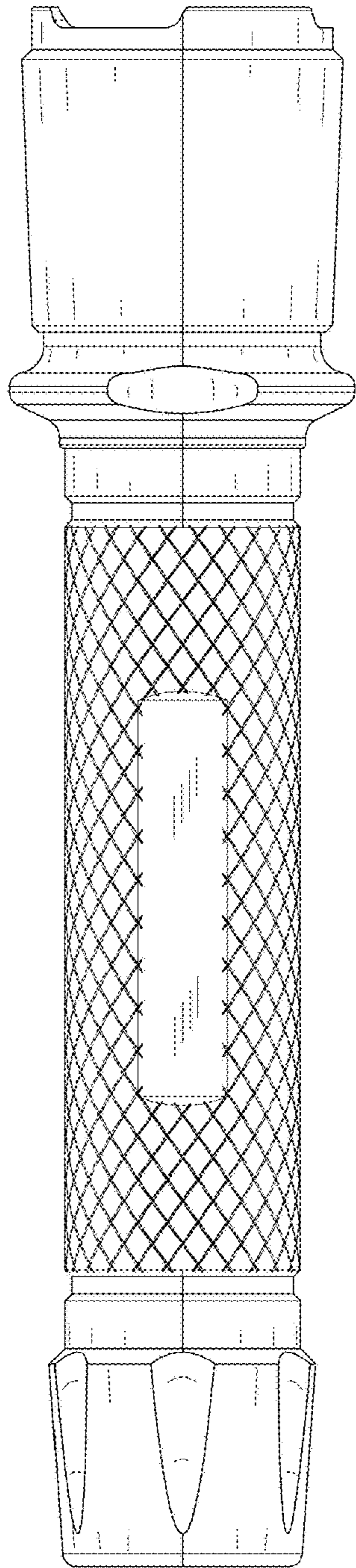


**FIG. 13**

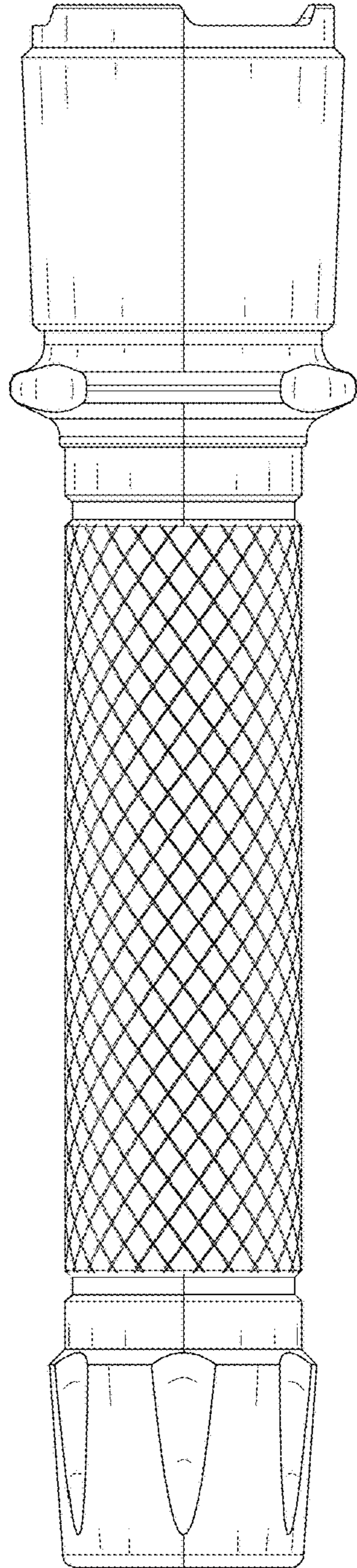


**FIG. 14**

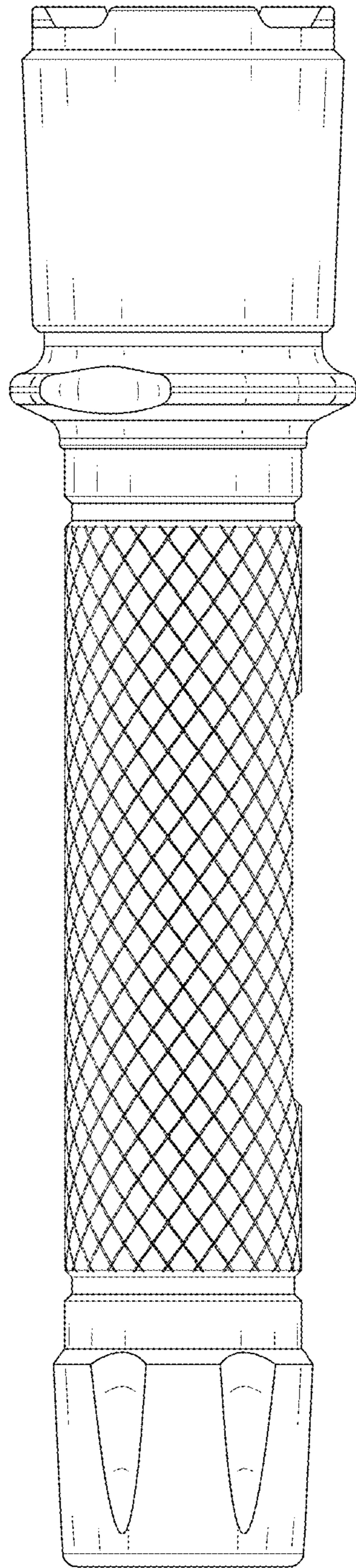




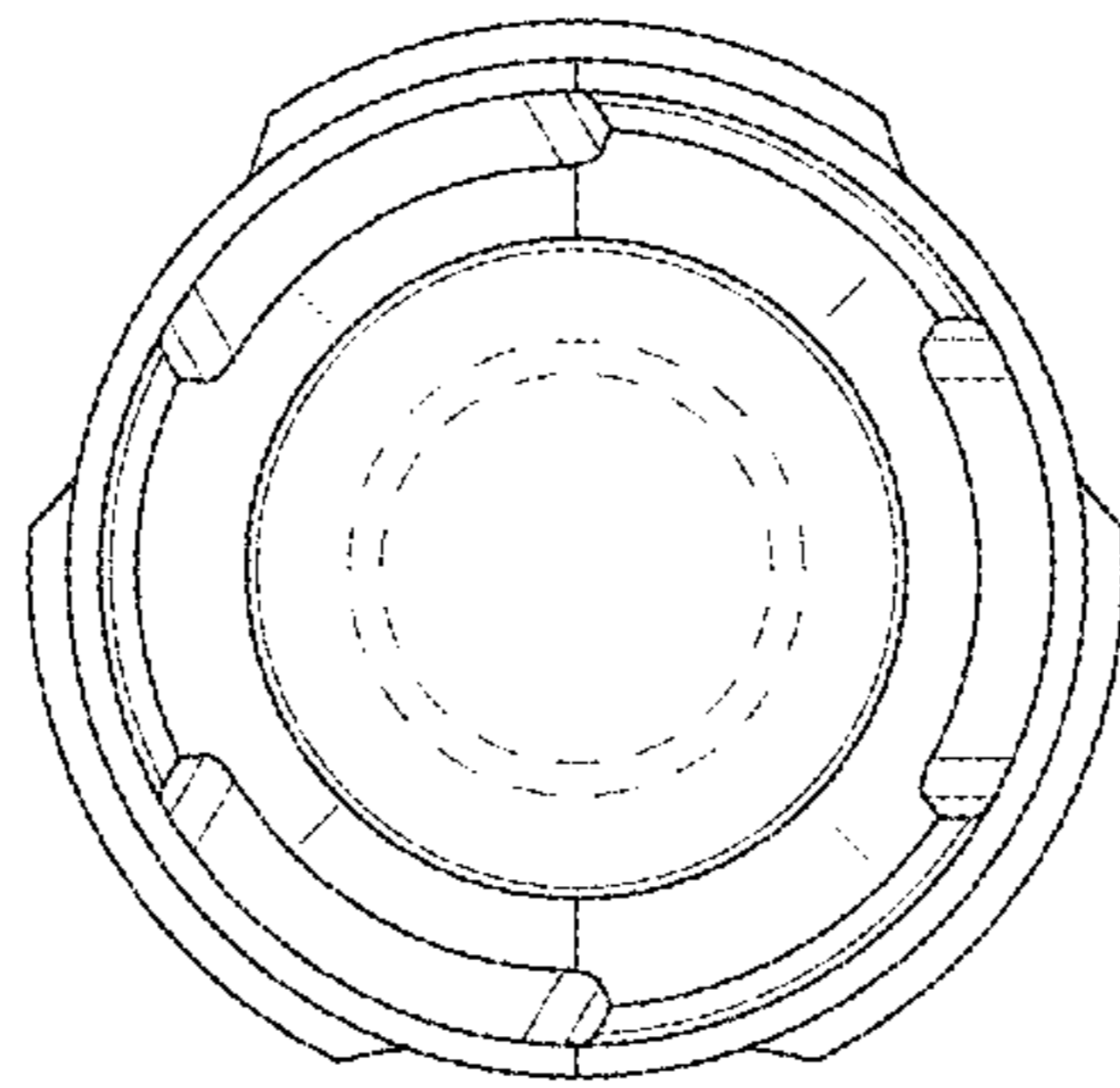
**FIG. 15**



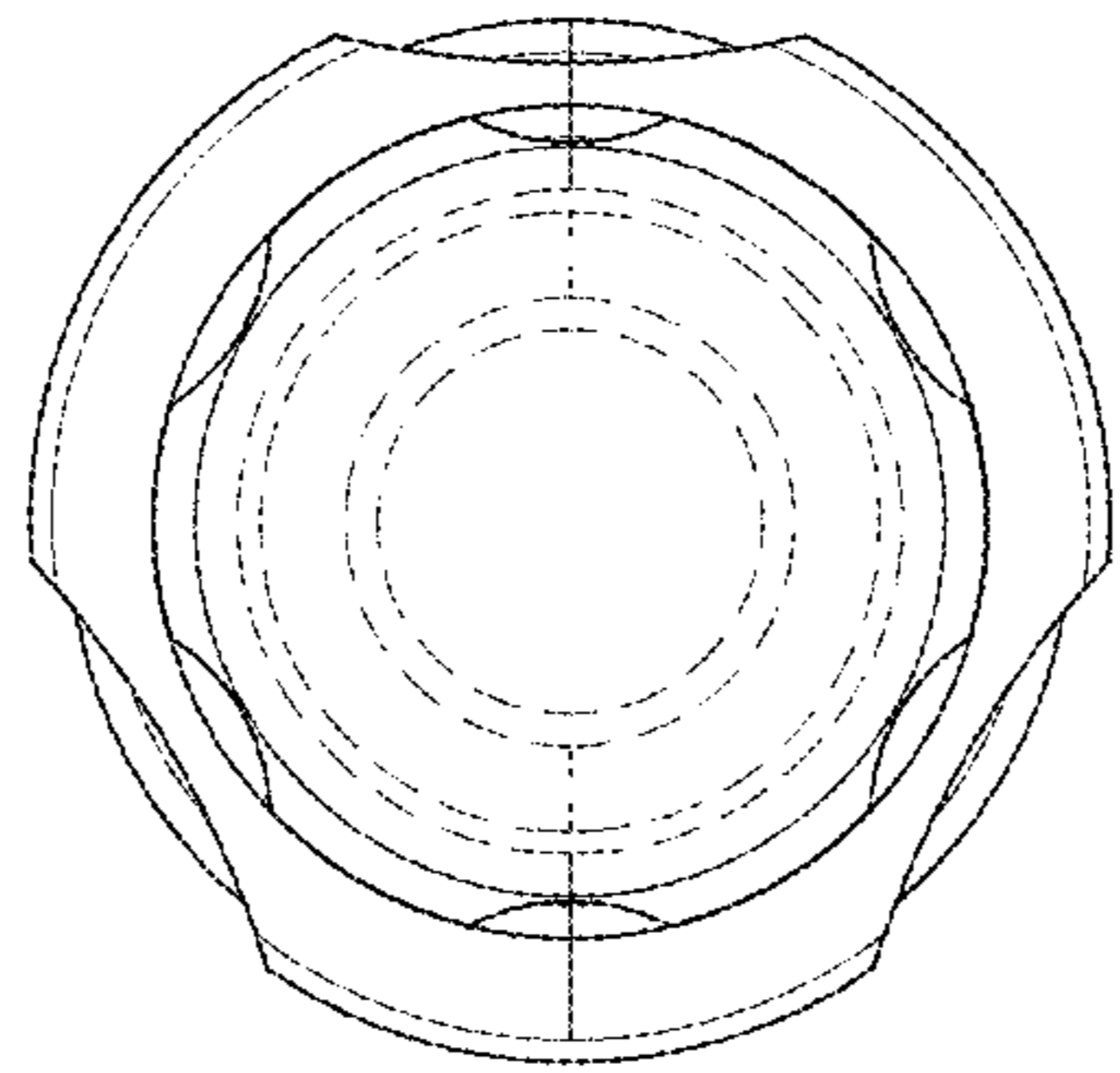
*FIG. 16*



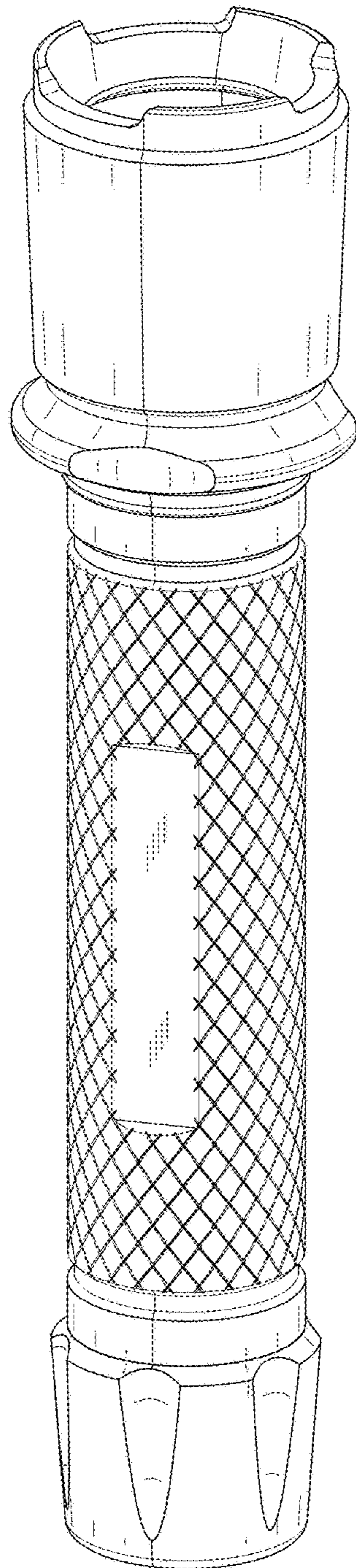
**FIG. 17**



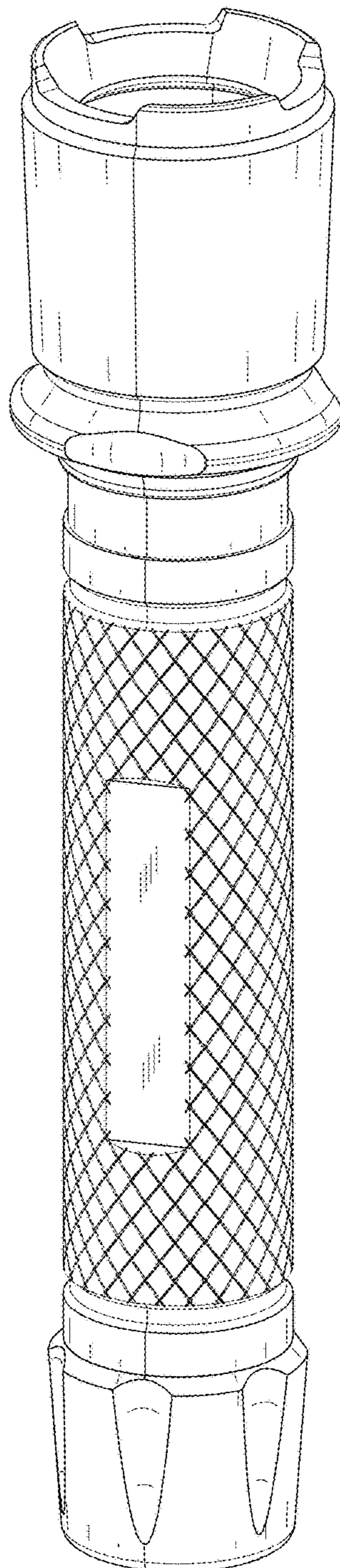
*FIG. 18*



**FIG. 19**



**FIG. 20**



**FIG. 21**