



US00D828939S

(12) **United States Design Patent** (10) **Patent No.:** **US D828,939 S**
Bo (45) **Date of Patent:** **** Sep. 18, 2018**

(54) **MULTI COB LIGHT WITH CARABINER**

(71) Applicant: **Anhui Inno-Sign International Co., Ltd.**, Hefei (CN)

(72) Inventor: **Jin Bo**, Hefei (CN)

(73) Assignee: **Anhui Inno-Sign International Co., Ltd.**, Hefei (CN)

(**) Term: **15 Years**

(21) Appl. No.: **29/594,208**

(22) Filed: **Feb. 16, 2017**

(51) **LOC (11) Cl.** **26-02**

(52) **U.S. Cl.**
USPC **D26/38**

(58) **Field of Classification Search**
USPC D26/37-51
CPC F21L 2003/00; F21L 4/00; F21L 4/005;
F21L 4/02; F21L 4/025; F21L 4/027;
F21L 4/04; F21L 4/08; F21L 2005/00;
F21L 7/00; F21L 11/00; F21L 13/00;
F21L 13/04; F21L 13/08; F21L 14/02;
F21L 17/00; F21L 19/00
See application file for complete search history.

(56) **References Cited**

U.S. PATENT DOCUMENTS

D495,073 S * 8/2004 Kumthampinij D26/37
D501,266 S * 1/2005 Harris, Jr. D26/37

D546,490 S * 7/2007 Brown D26/42
D642,311 S * 7/2011 Ma D26/41
D728,837 S * 5/2015 Ormsbee D26/38
D738,554 S * 9/2015 Dalton D26/38
D743,595 S * 11/2015 Fischer D26/38
D750,822 S * 3/2016 Hernandez D26/38
D759,867 S * 6/2016 Grandadam D26/37
D760,414 S * 6/2016 Brown D26/37
D777,962 S * 1/2017 Scott D26/38
2005/0018421 A1 * 1/2005 Parsons A44B 15/005
362/196

* cited by examiner

Primary Examiner — Eric L Goodman

Assistant Examiner — Carissa C Fitts

(74) *Attorney, Agent, or Firm* — Richards Patent Law P.C.

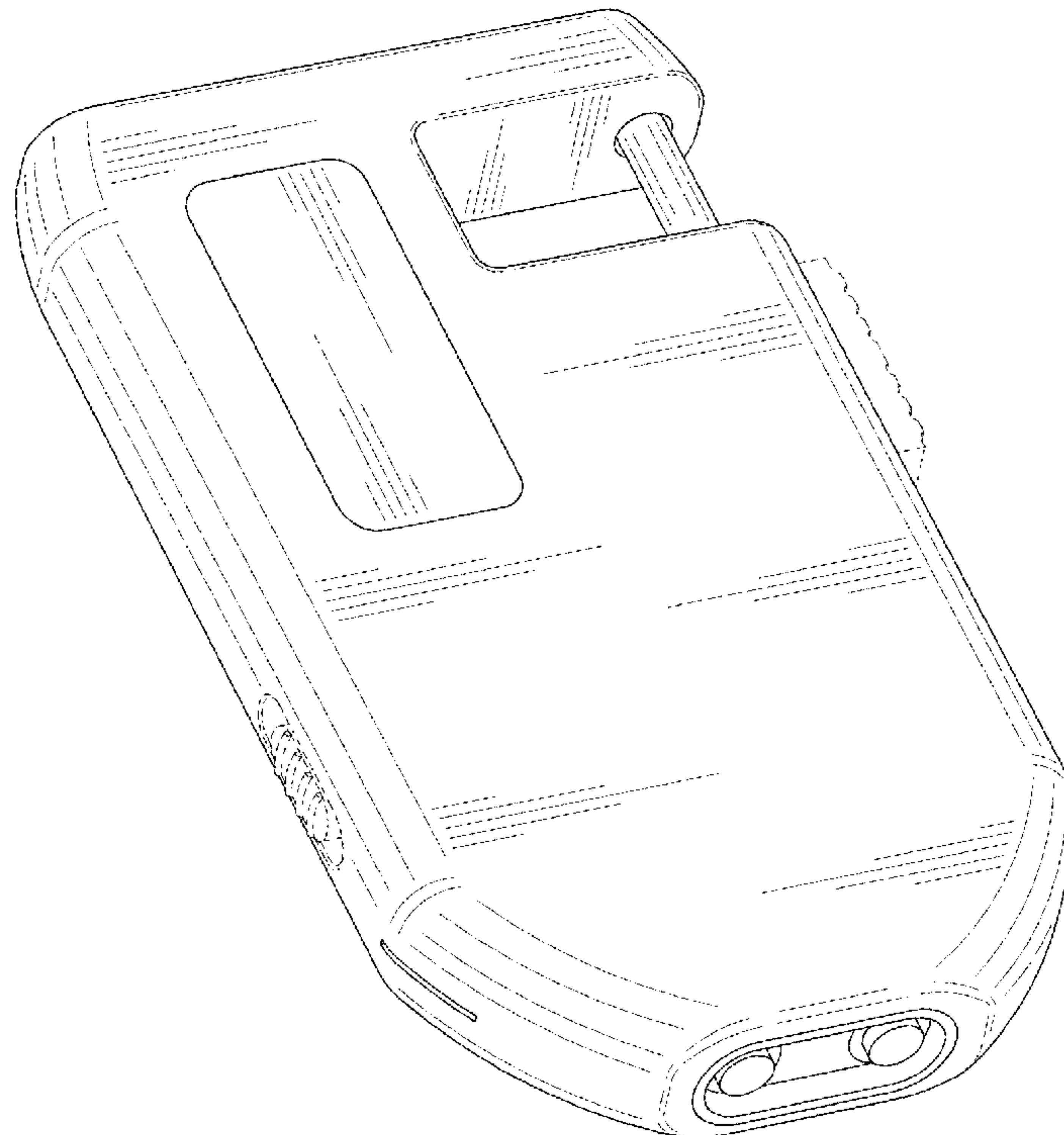
(57) **CLAIM**

The ornamental design for a light with carabiner, as shown and described.

DESCRIPTION

FIG. 1 is an isometric view of a light with carabiner showing my new design;
FIG. 2 is a front view thereof;
FIG. 3 is a back view thereof;
FIG. 4 is a left side view thereof;
FIG. 5 is a right side view thereof;
FIG. 6 is a top view thereof; and,
FIG. 7 is a bottom view thereof.
The broken lines show portions of the article not claimed and form no part of the claimed design.

1 Claim, 5 Drawing Sheets



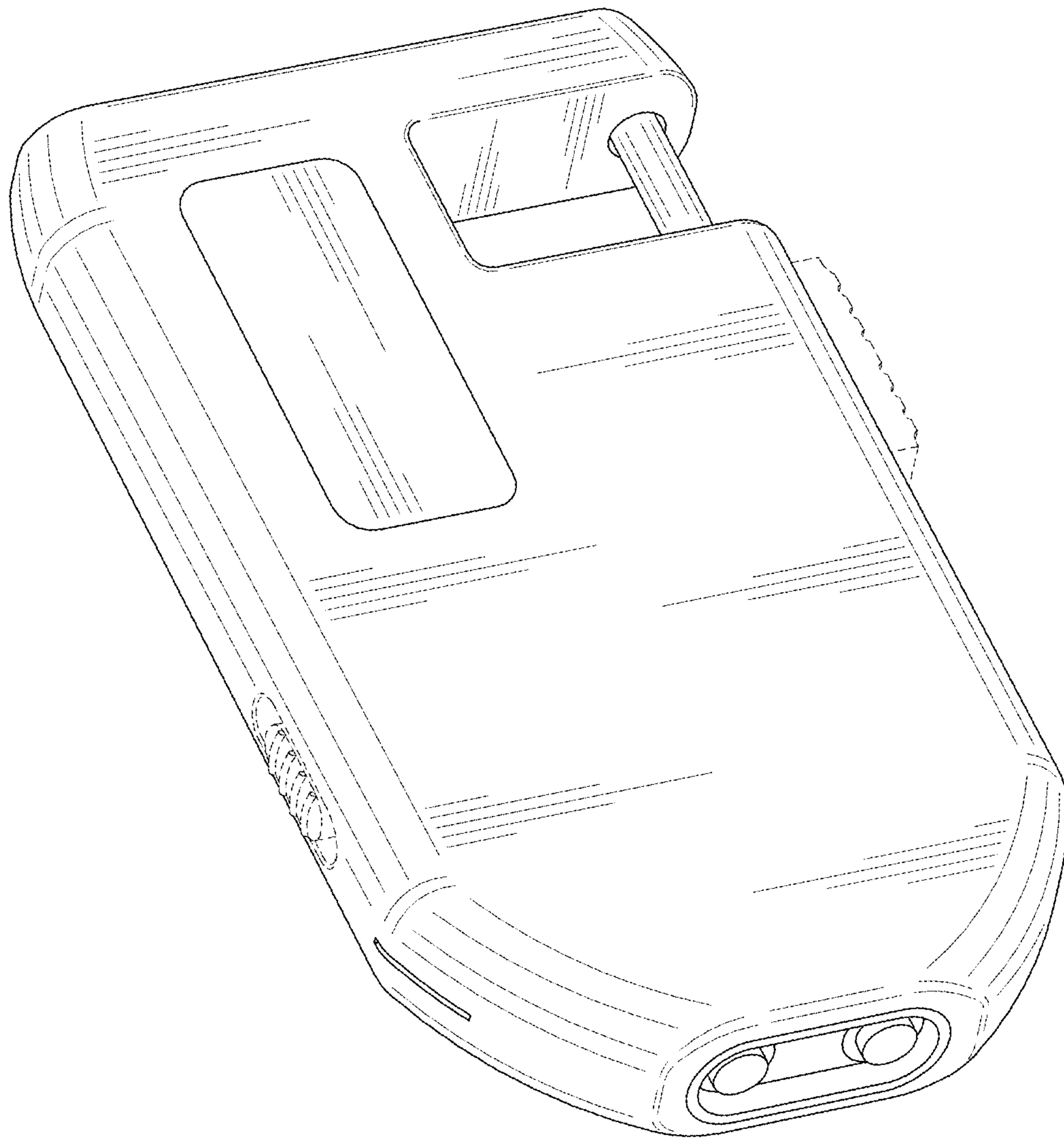


FIG. 1

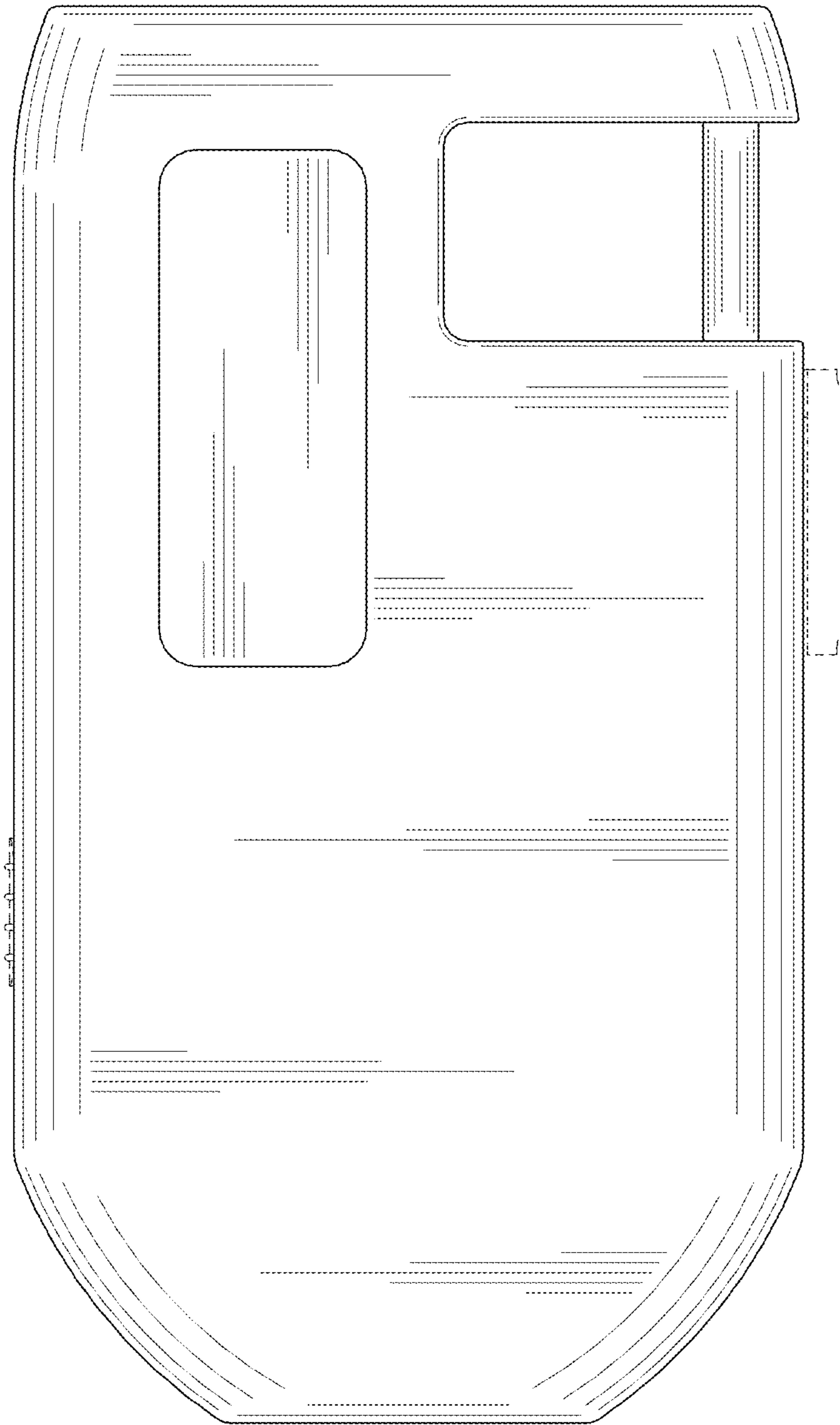


FIG. 2

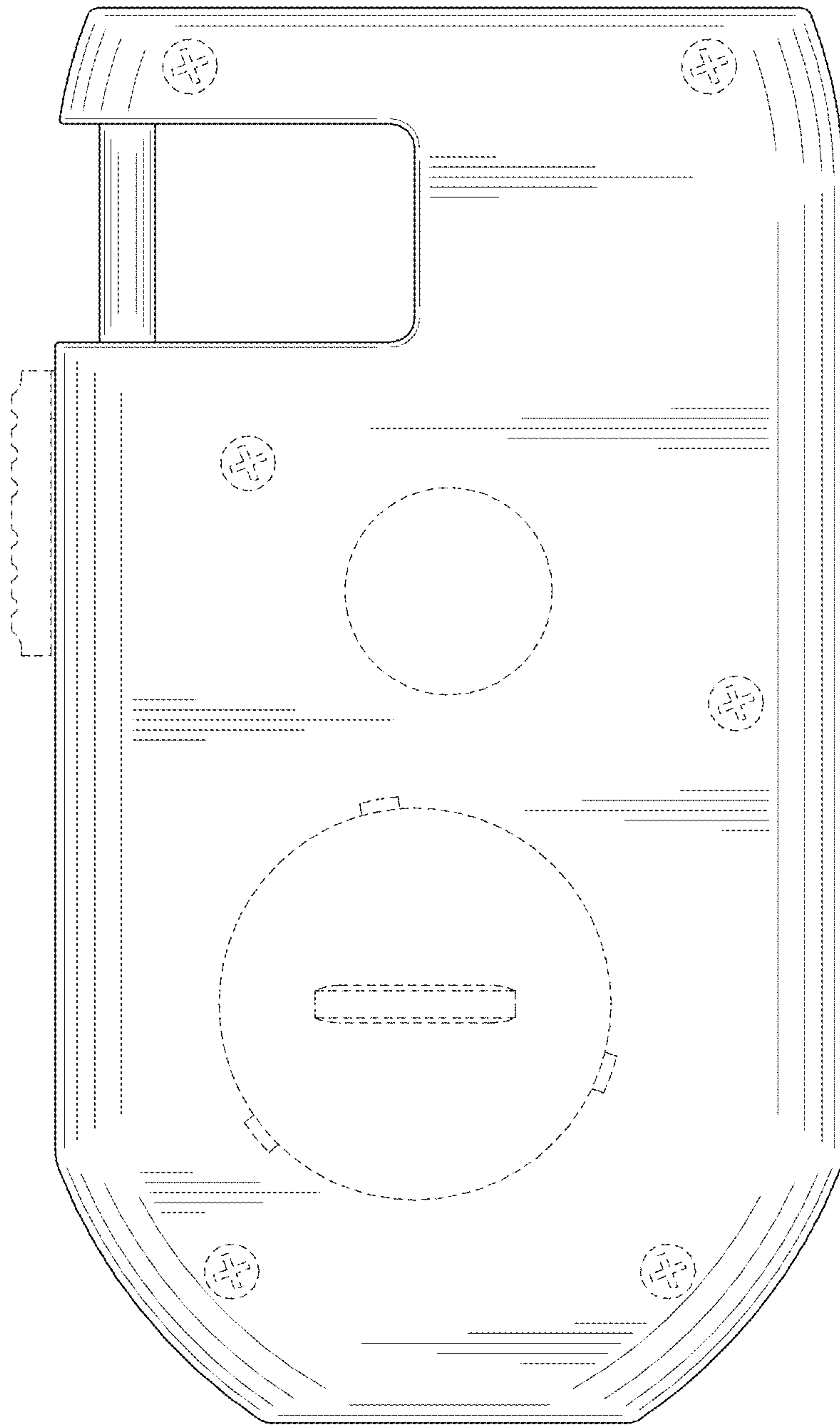


FIG. 3

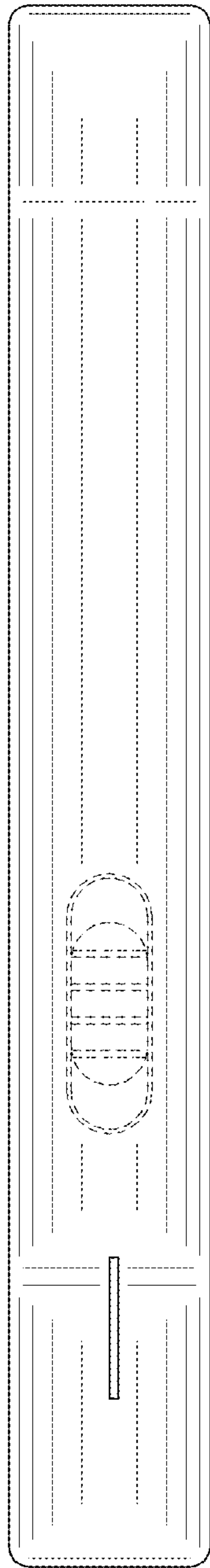


FIG. 4

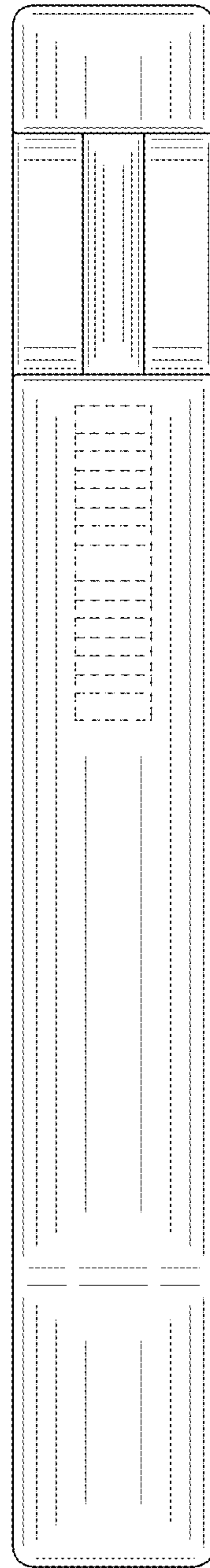


FIG. 5

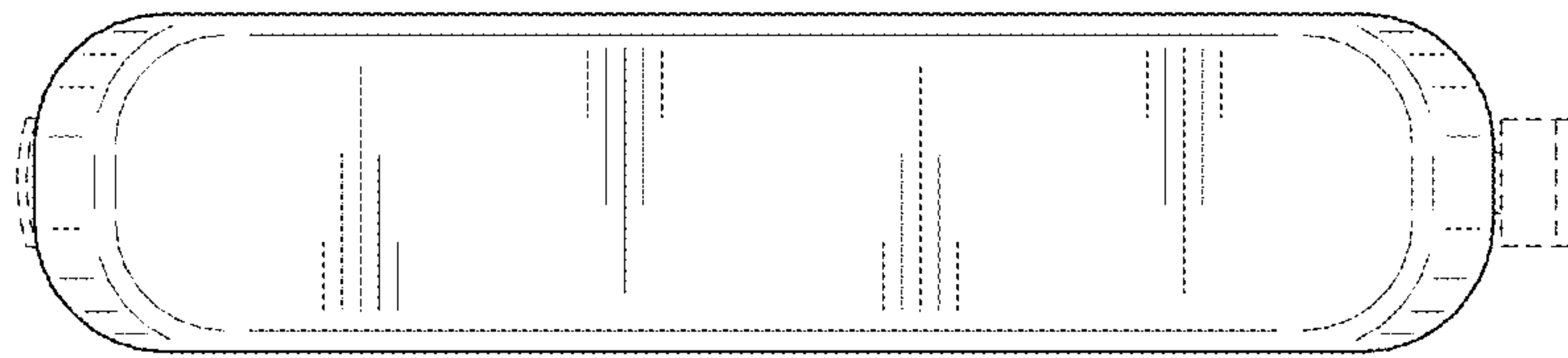


FIG. 6

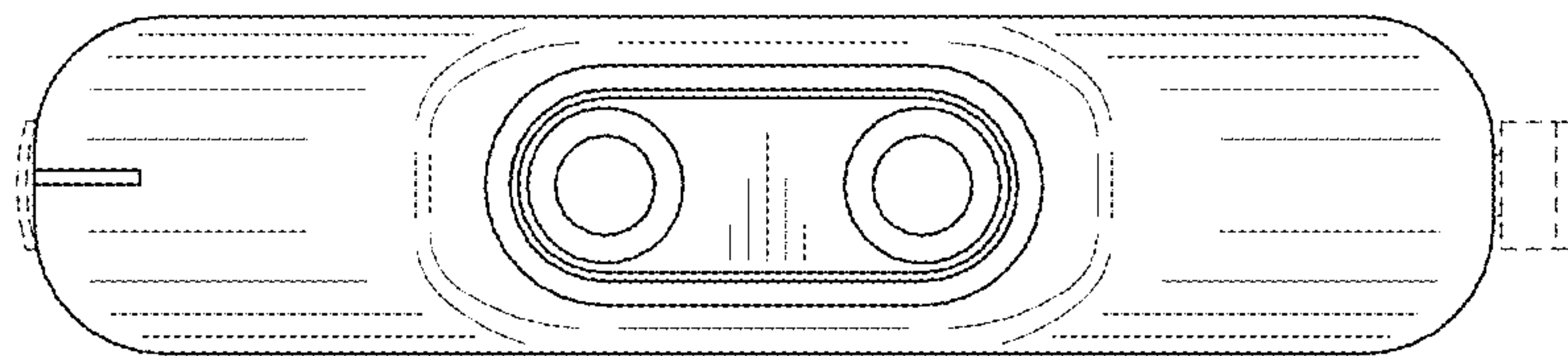


FIG. 7