



US00D828938S

(12) **United States Design Patent** (10) **Patent No.:** **US D828,938 S**  
**Hou** (45) **Date of Patent:** **\*\* Sep. 18, 2018**

(54) **MULTIFUNCTIONAL SOLAR LIGHT**

(71) Applicant: **Mao Hou**, Shenzhen (CN)

(72) Inventor: **Mao Hou**, Shenzhen (CN)

(\*\*) Term: **15 Years**

(21) Appl. No.: **29/563,366**

(22) Filed: **May 4, 2016**

(51) **LOC (11) Cl.** ..... **26-02**

(52) **U.S. Cl.**  
USPC ..... **D26/38**

(58) **Field of Classification Search**  
USPC ..... D26/37-51, 61, 63  
CPC ..... F21L 2003/00; F21L 4/00; F21L 4/005;  
F21L 4/02; F21L 4/025; F21L 4/027;  
F21L 4/04; F21L 4/08; F21L 2005/00;  
F21L 7/00; F21L 11/00; F21L 13/00;  
F21L 13/04; F21L 13/08; F21L 14/02;  
F21L 17/00; F21L 19/00; F21L 25/00

See application file for complete search history.

(56) **References Cited**

**U.S. PATENT DOCUMENTS**

D383,228 S *	9/1997	Petruzzi	.....	D26/37
D395,720 S *	6/1998	Galli	.....	D26/37
D397,478 S *	8/1998	Booty, Jr.	.....	D26/44
D526,433 S *	8/2006	Li	.....	D26/37
D526,734 S *	8/2006	Brown	.....	D26/39
D580,574 S *	11/2008	Leslie	.....	D26/37

D602,186 S *	10/2009	Lee	.....	D26/37
D630,355 S *	1/2011	Gulker	.....	D26/37
D645,179 S *	9/2011	Gulker	.....	D26/37
D656,647 S *	3/2012	Hodgson	.....	D26/44
D699,376 S *	2/2014	Kim	.....	D26/1
D703,356 S *	4/2014	Grandadam	.....	D26/44
D735,921 S *	8/2015	Khayat	.....	D26/37
D741,928 S *	10/2015	Huang	.....	D16/135

\* cited by examiner

*Primary Examiner* — Lakiya G Rogers

*Assistant Examiner* — Carissa C Fitts

(74) *Attorney, Agent, or Firm* — Novoclaims Patent Services LLC; Mei Lin Wong

(57) **CLAIM**

The ornamental design for a multifunctional solar light, as shown and described.

**DESCRIPTION**

FIG. 1 is a perspective view of a multifunctional solar light showing my new design.

FIG. 2 is a front view thereof.

FIG. 3 is a rear view thereof.

FIG. 4 is a right end view thereof.

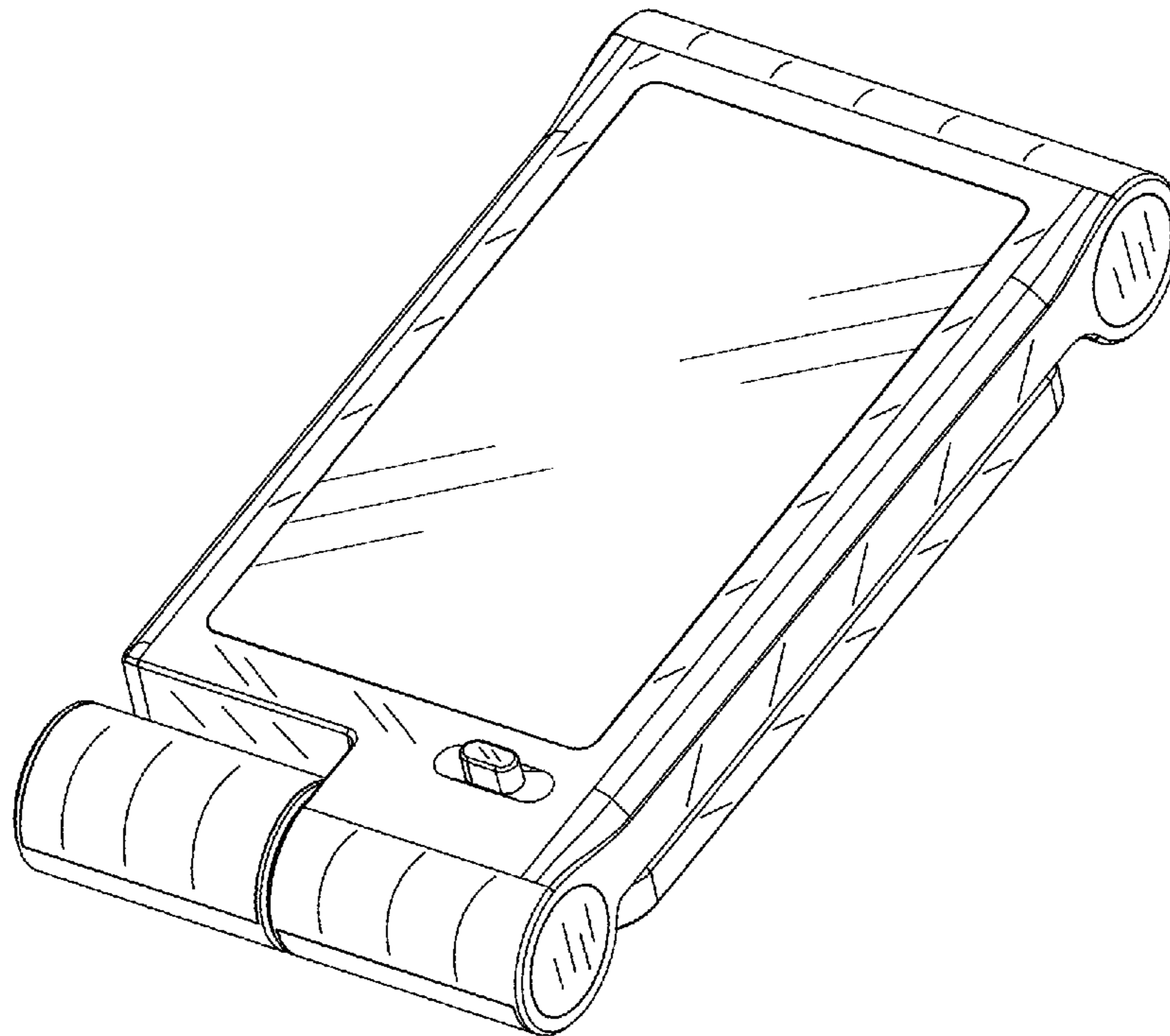
FIG. 5 is a left end view thereof.

FIG. 6 is a top view thereof; and,

FIG. 7 is a bottom view thereof.

The broken lines show unclaimed portions of the article that forms no part of the claimed design.

**1 Claim, 7 Drawing Sheets**



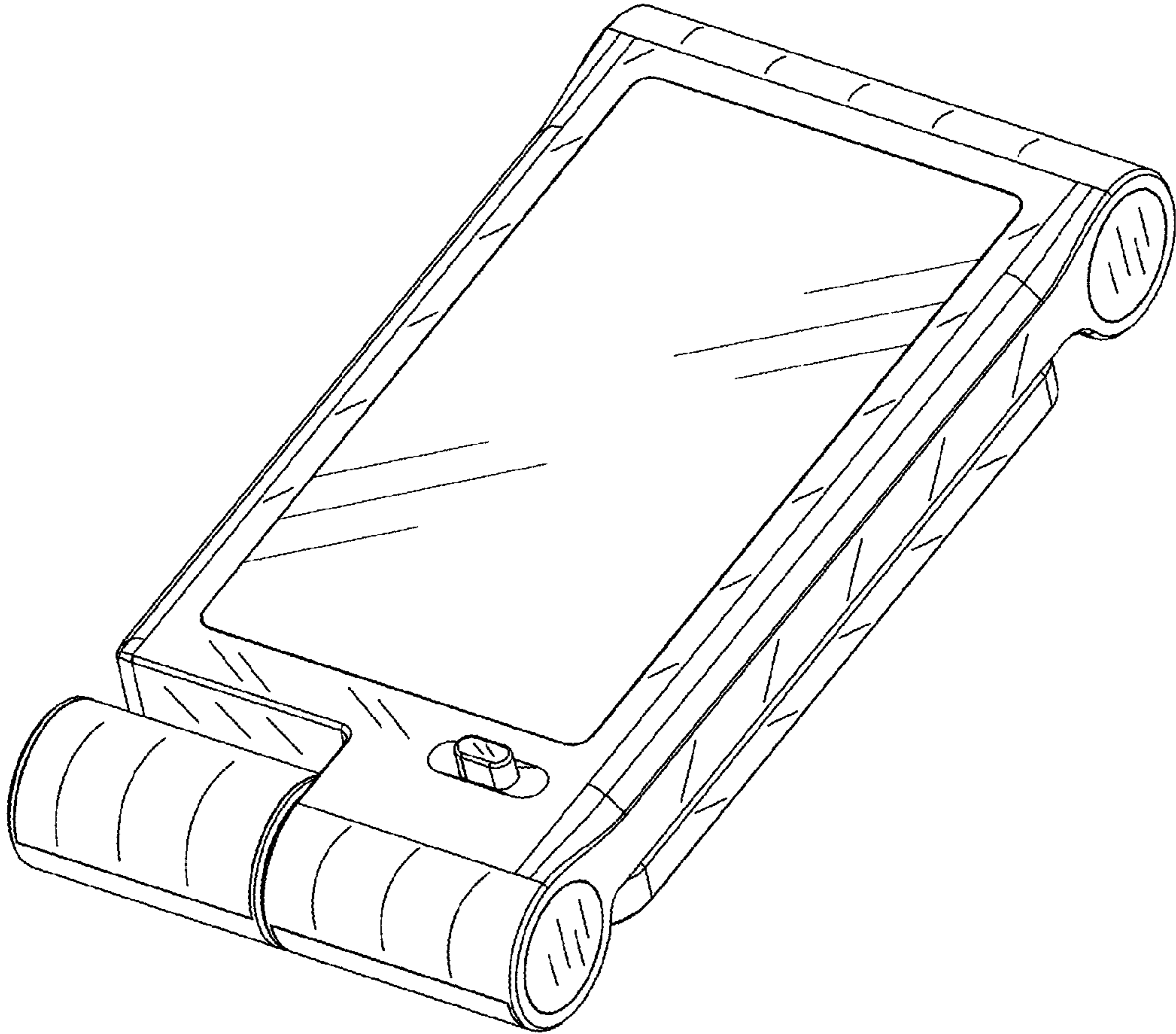


FIG.1

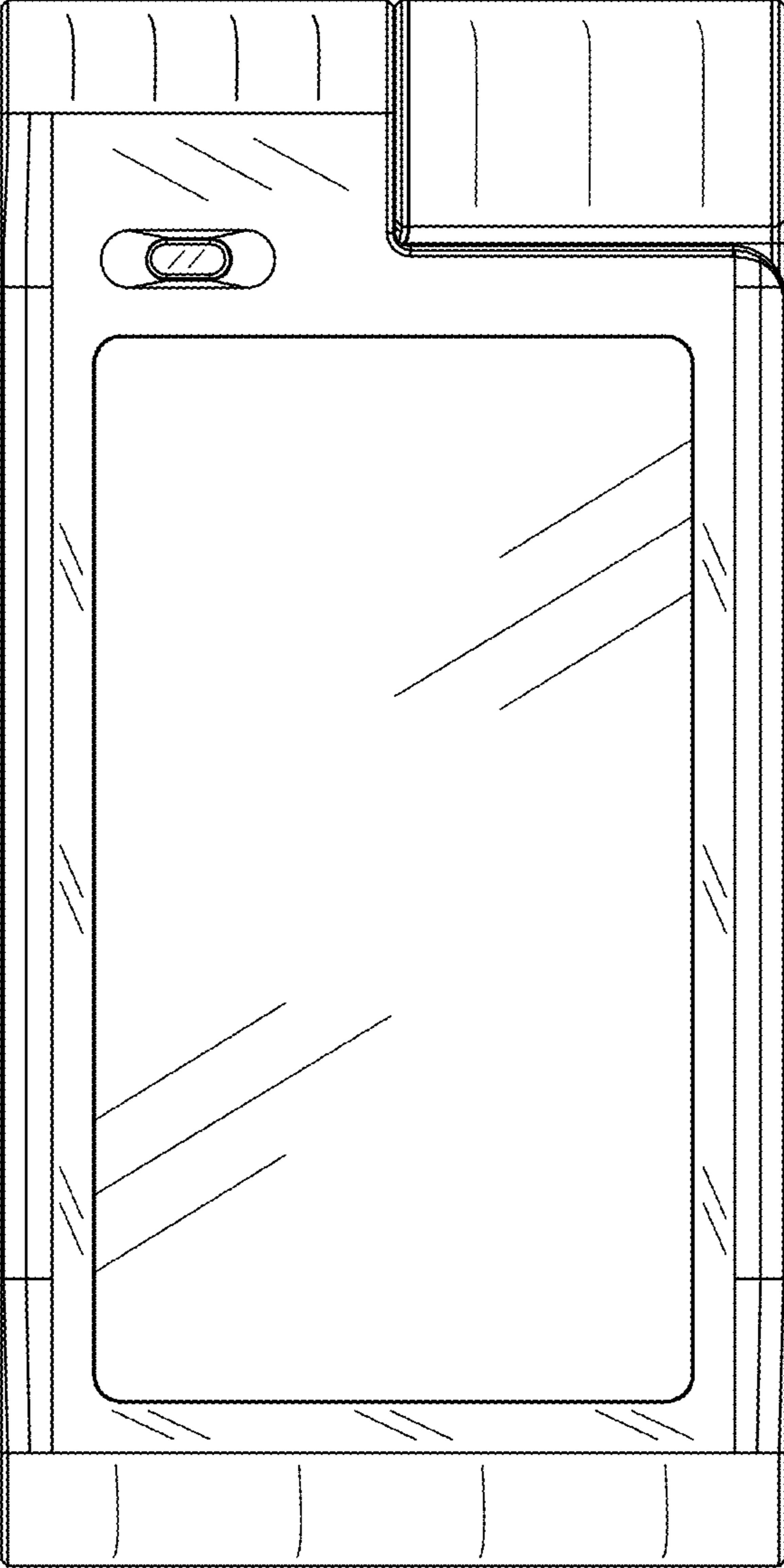


FIG.2

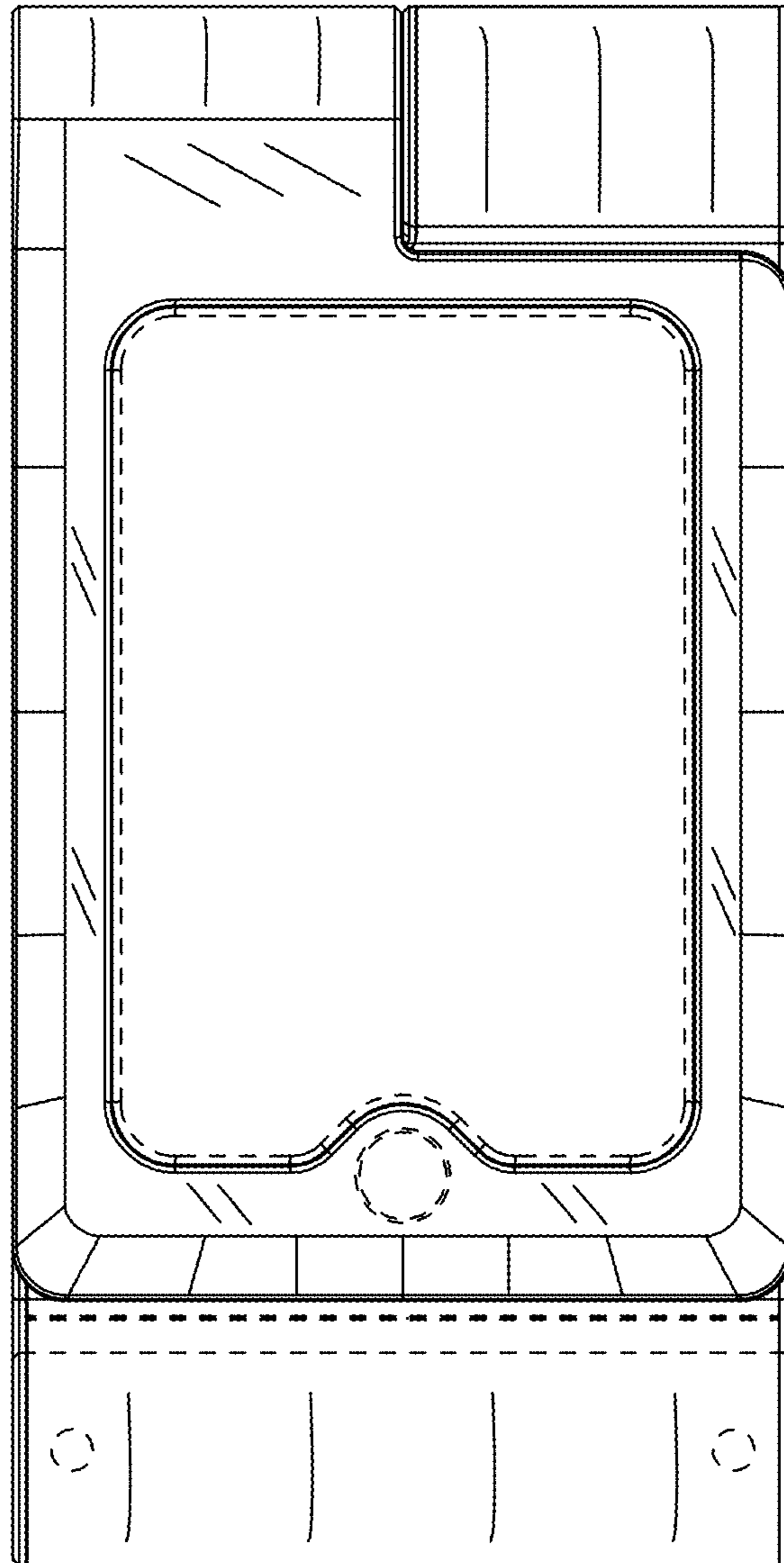


FIG.3

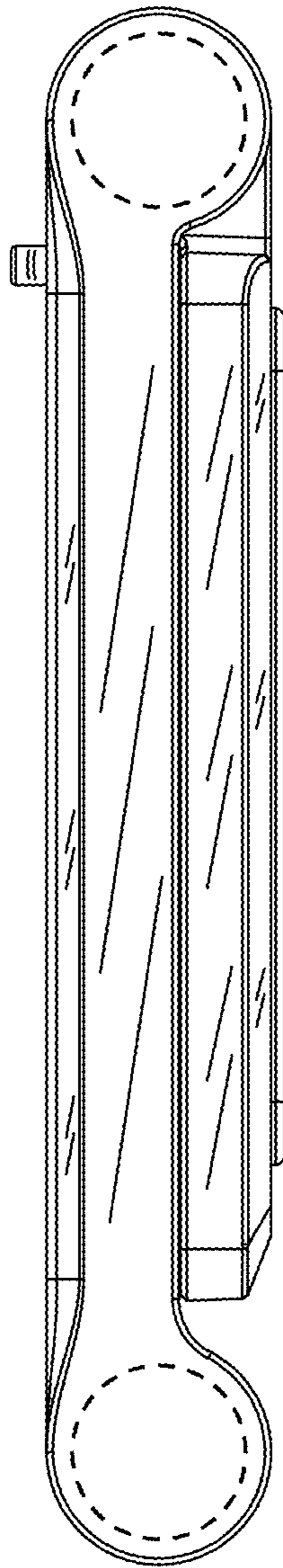


FIG.4

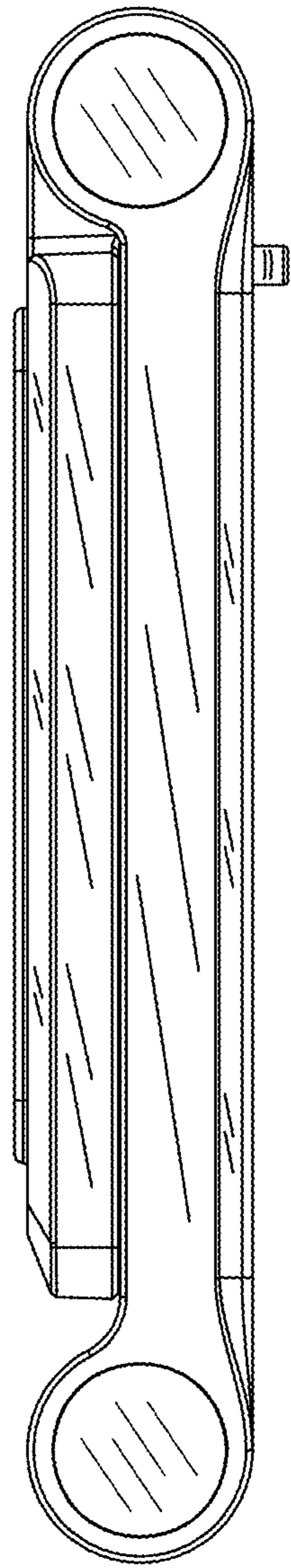


FIG.5

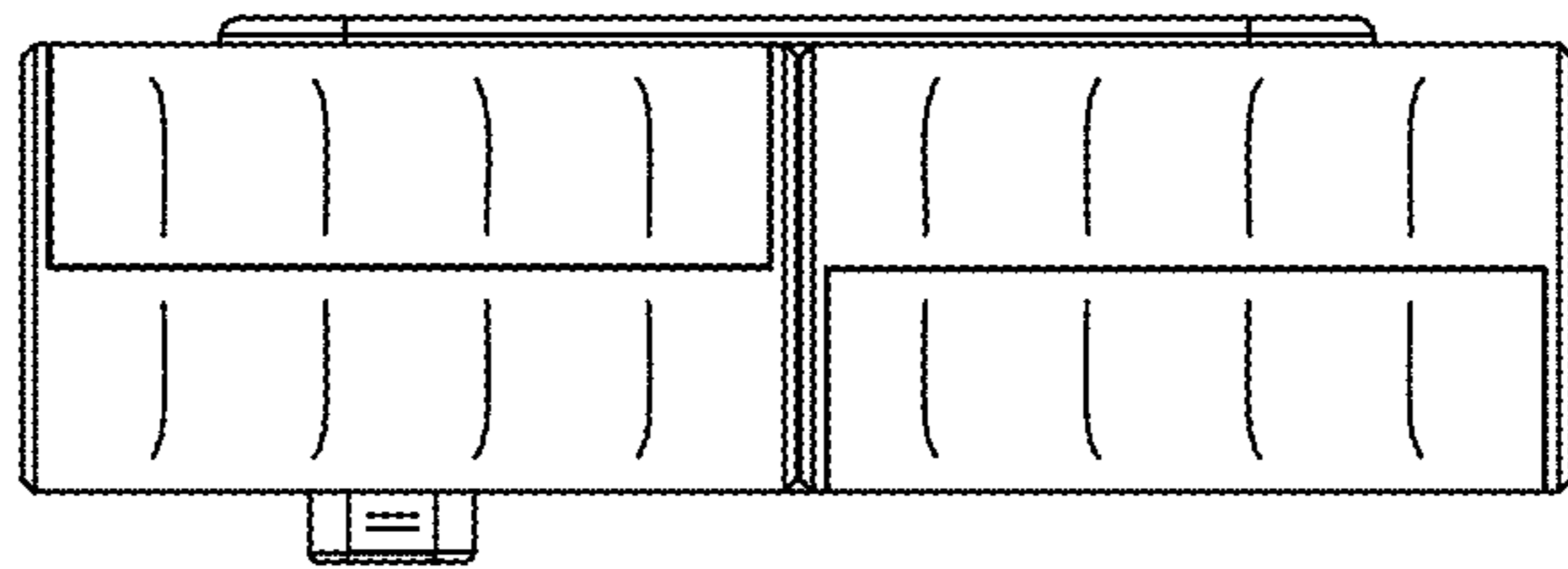


FIG.6

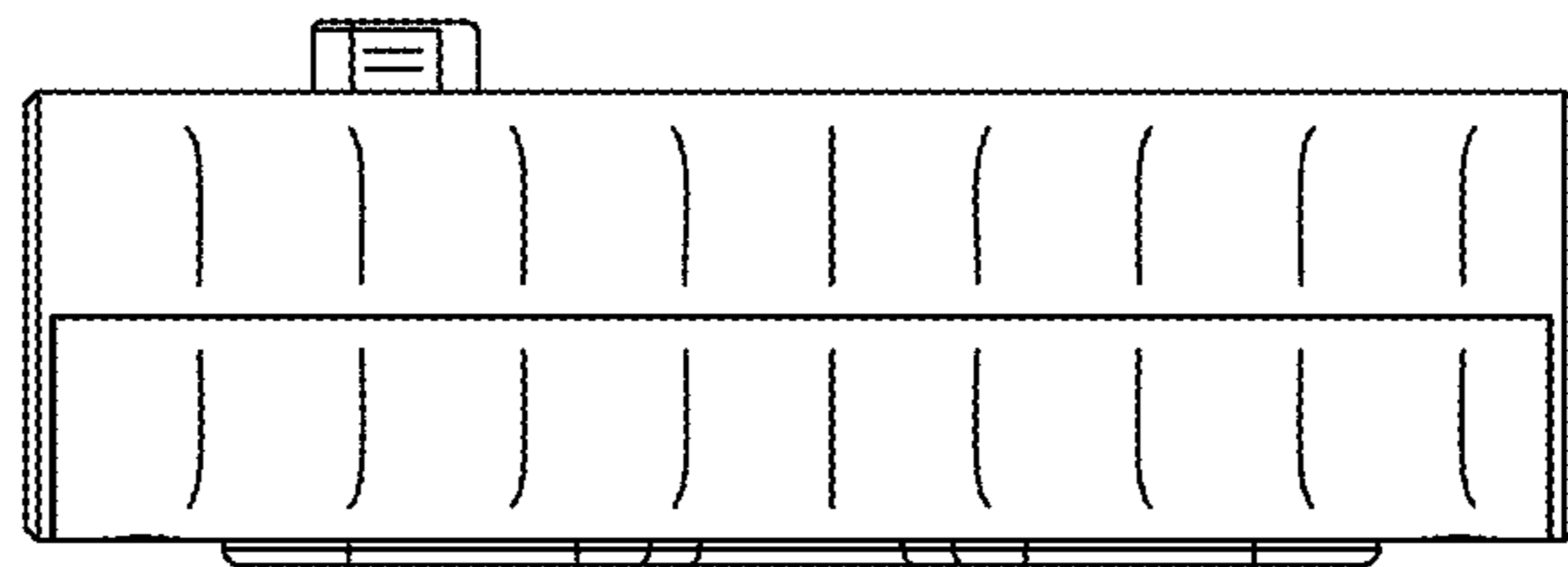


FIG.7