



US00D828937S

(12) **United States Design Patent** (10) **Patent No.:** **US D828,937 S**
Sibitzky et al. (45) **Date of Patent:** **** Sep. 18, 2018**

(54) **LIGHT BAR FOR A VEHICLE**

(71) Applicant: **JST Performance, LLC**, Gilbert, AZ (US)

(72) Inventors: **Pete D. Sibitzky**, Lakeside, CA (US); **Edgar A. Madril**, Mesa, AZ (US)

(73) Assignee: **JST Performance, LLC**, Gilbert, AZ (US)

(**) Term: **15 Years**

(21) Appl. No.: **29/575,199**

(22) Filed: **Aug. 23, 2016**

(51) **LOC (11) Cl.** **26-06**

(52) **U.S. Cl.**
USPC **D26/31**

(58) **Field of Classification Search**
USPC D26/1-4; 313/313, 315, 316, 317, 318, 313/493; 315/52, 53, 56, 57, 58
CPC H01R 5/00; H01R 13/46; H01R 13/514; H01R 31/048; H01R 31/02; H01J 5/00; H01J 5/16; H01J 15/00; H01J 5/48; H01J 5/50; H01J 19/54; F21V 5/00
See application file for complete search history.

(56) **References Cited**

U.S. PATENT DOCUMENTS

D506,274 S *	6/2005	Moriyama	D26/24
D574,093 S *	7/2008	Kitagawa	D26/3
D594,999 S *	6/2009	Uchida	D26/3
D597,686 S *	8/2009	Noh	D26/3
D601,726 S *	10/2009	Mollaert	D26/3
D621,975 S *	8/2010	Wang	D26/3

* cited by examiner

Primary Examiner — Marcus Jackson

(57) **CLAIM**

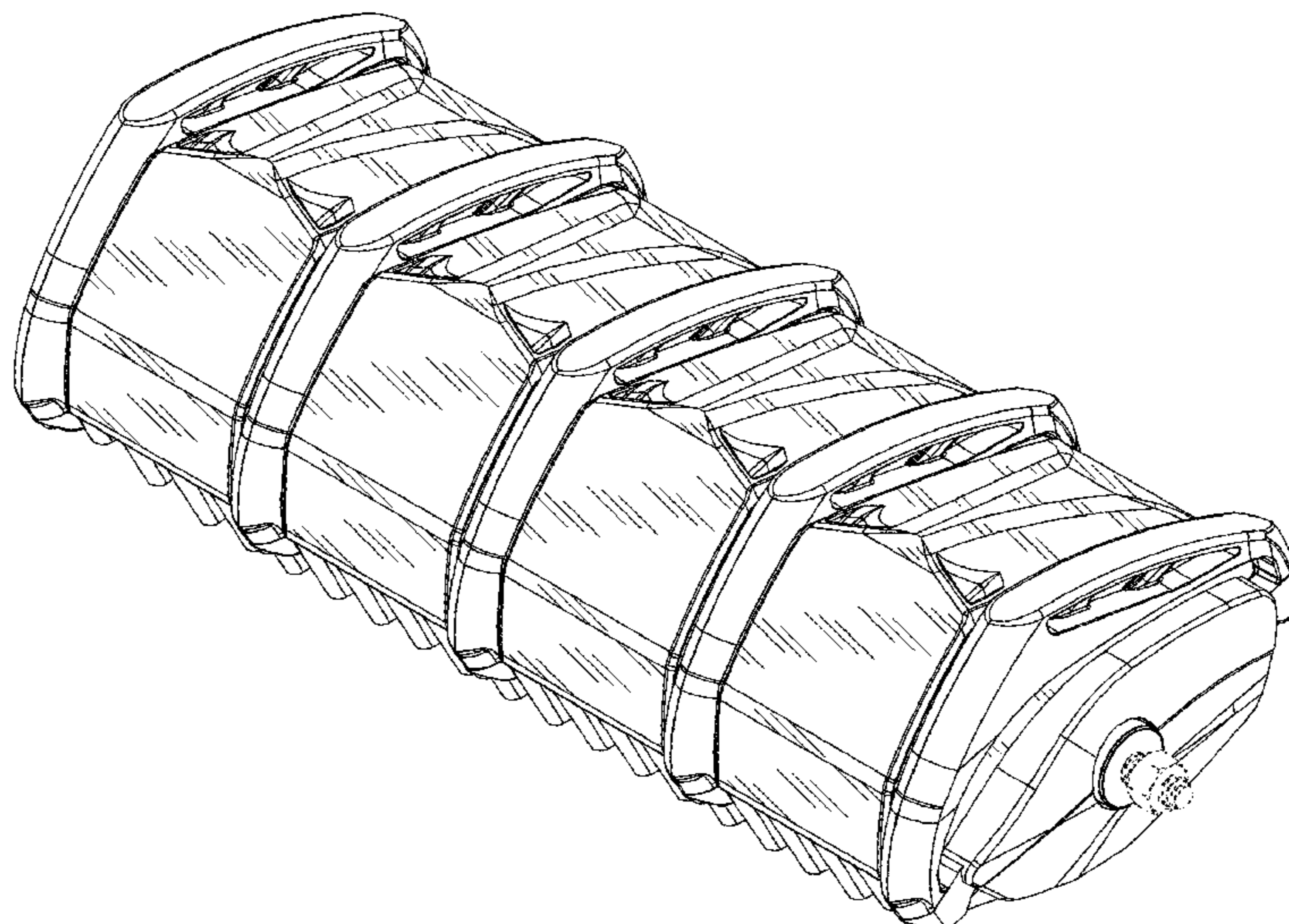
The ornamental design for a light bar for a vehicle, as shown and described.

DESCRIPTION

FIG. 1 is a front, top, right, perspective view of a light bar for a vehicle showing our new design;
FIG. 2 is a front, top, left, perspective view thereof;
FIG. 3 is a front, bottom, right, perspective view thereof;
FIG. 4 is a front, bottom, left, perspective view thereof;
FIG. 5 is a back, top, right, perspective view thereof;
FIG. 6 is a back, top, left, perspective view thereof;
FIG. 7 is a back, bottom, right, perspective view thereof;
FIG. 8 is a back, bottom, left perspective view thereof;
FIG. 9 is a front side view thereof;
FIG. 10 is a back side view thereof;
FIG. 11 is a right side view thereof;
FIG. 12 is a left side view thereof;
FIG. 13 is a top view thereof;
FIG. 14 is a bottom view thereof;
FIG. 15 is a front, top, right, perspective view of a second embodiment of the light bar for a vehicle, the only difference being the optical configuration;
FIG. 16 is a front, top, left, perspective view thereof;
FIG. 17 is a front, bottom, right, perspective view thereof;
FIG. 18 is a front, bottom, left, perspective view thereof;
FIG. 19 is a back, top, right, perspective view thereof;
FIG. 20 is a back, top, left, perspective view thereof;
FIG. 21 is a back, bottom, right, perspective view thereof;
FIG. 22 is a back, bottom, left perspective view thereof;
FIG. 23 is a front side view thereof;
FIG. 24 is a back side view thereof;
FIG. 25 is a right side view thereof;
FIG. 26 is a left side view thereof;
FIG. 27 is a top view thereof; and,
FIG. 28 is a bottom view thereof.

The broken lines in the drawings illustrate portions of the light bar for a vehicle which form no part of the claimed design.

1 Claim, 28 Drawing Sheets



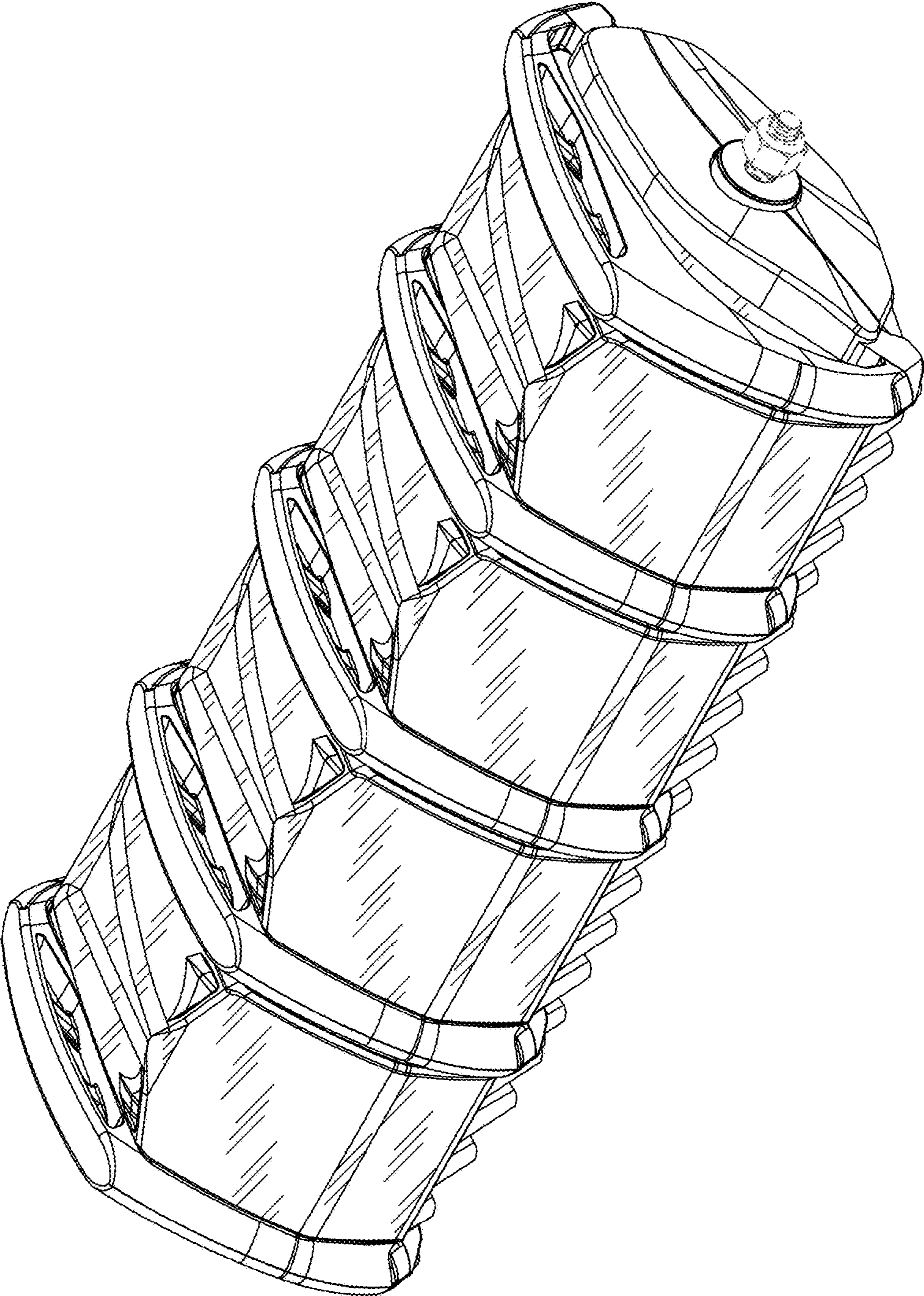


FIG. 1

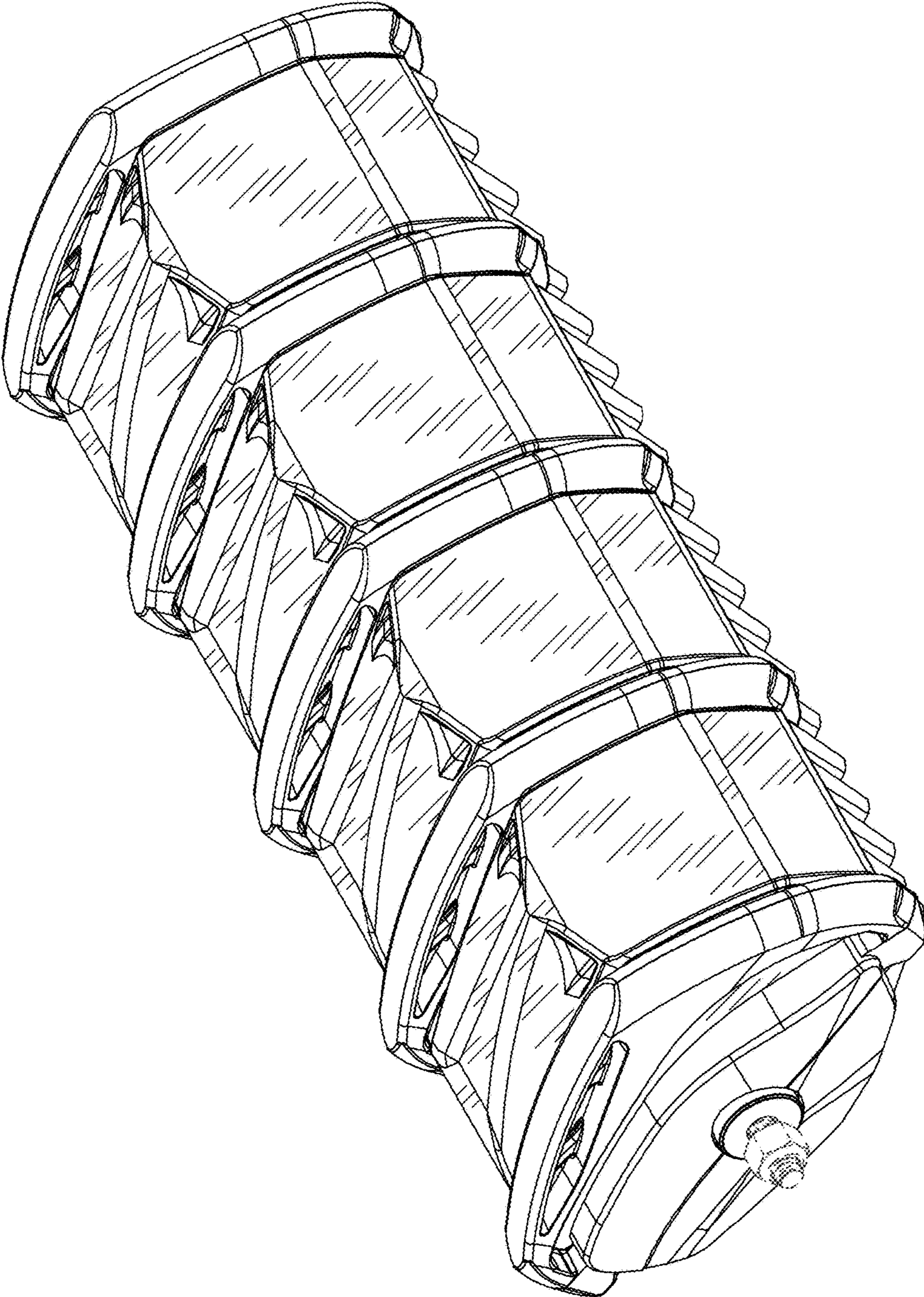


FIG. 2

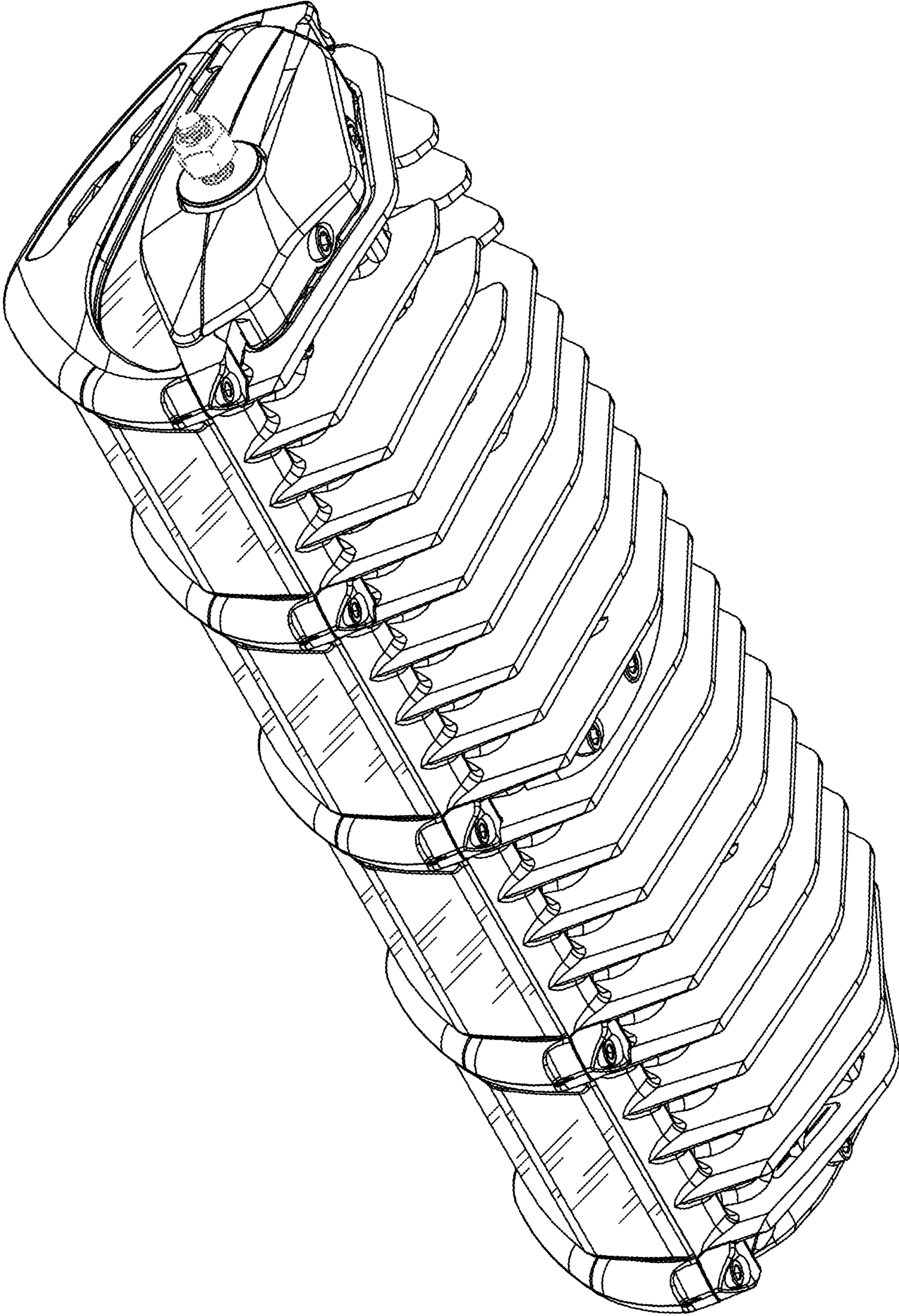


FIG. 3

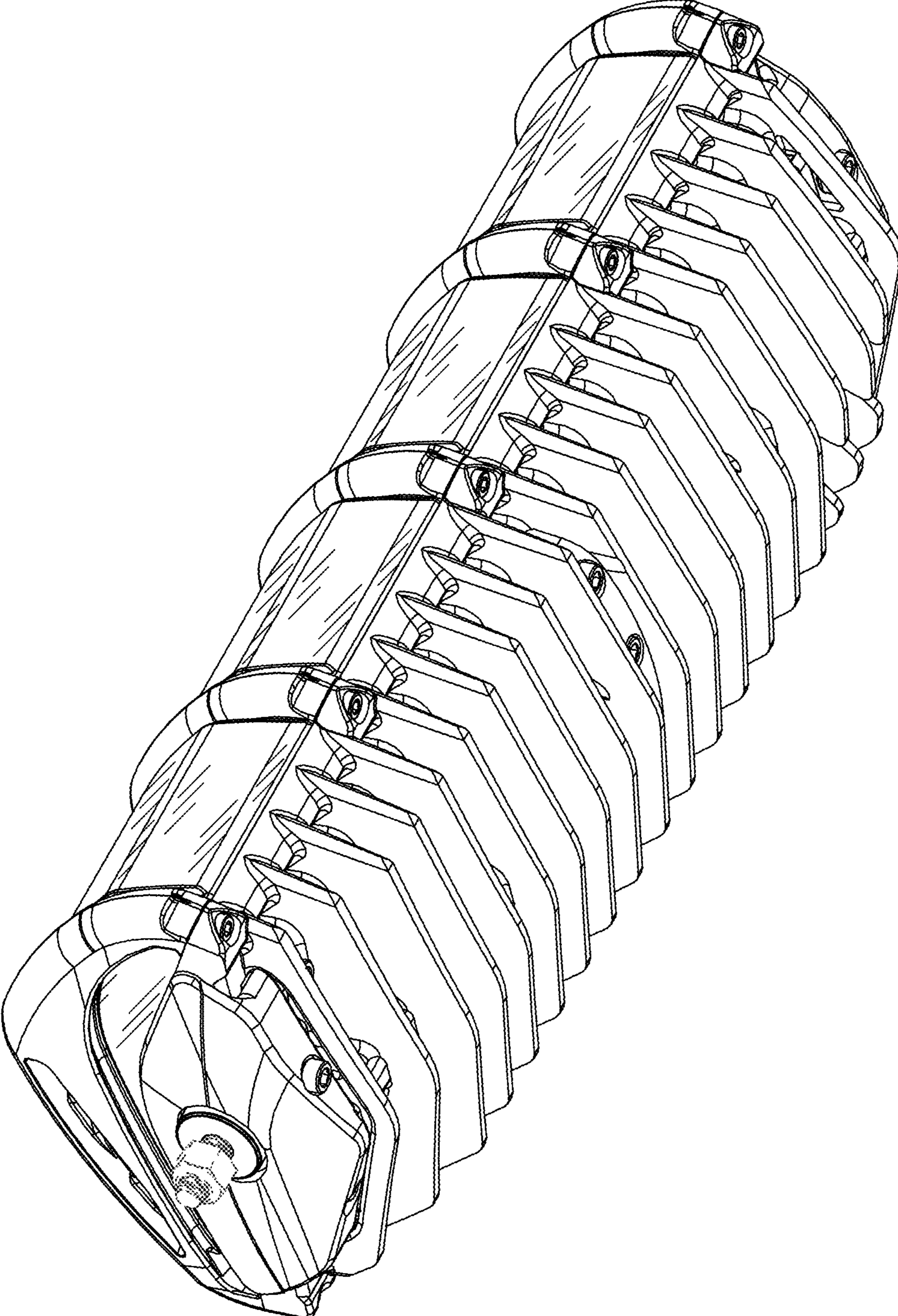


FIG. 4

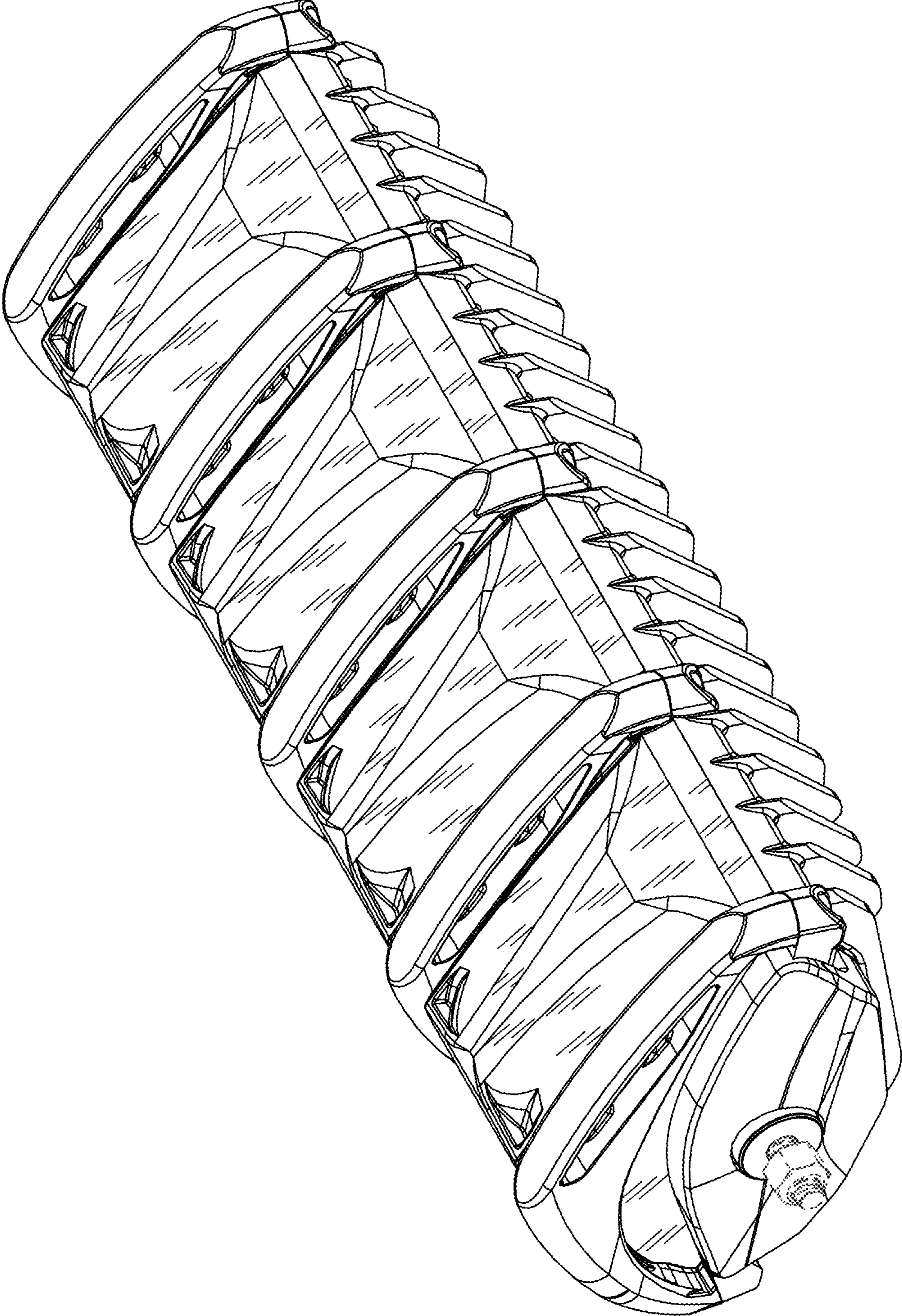


FIG. 5

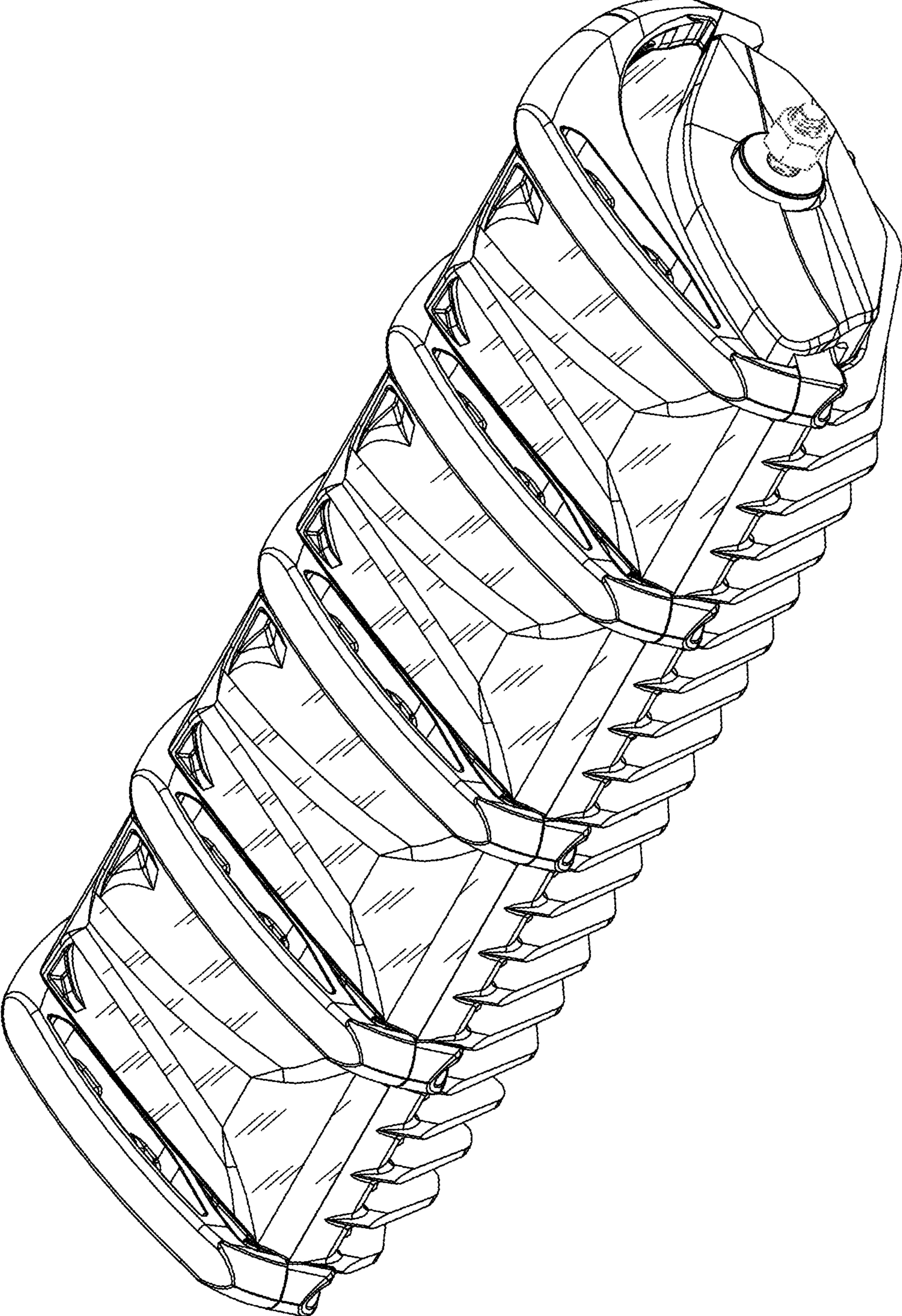


FIG. 6

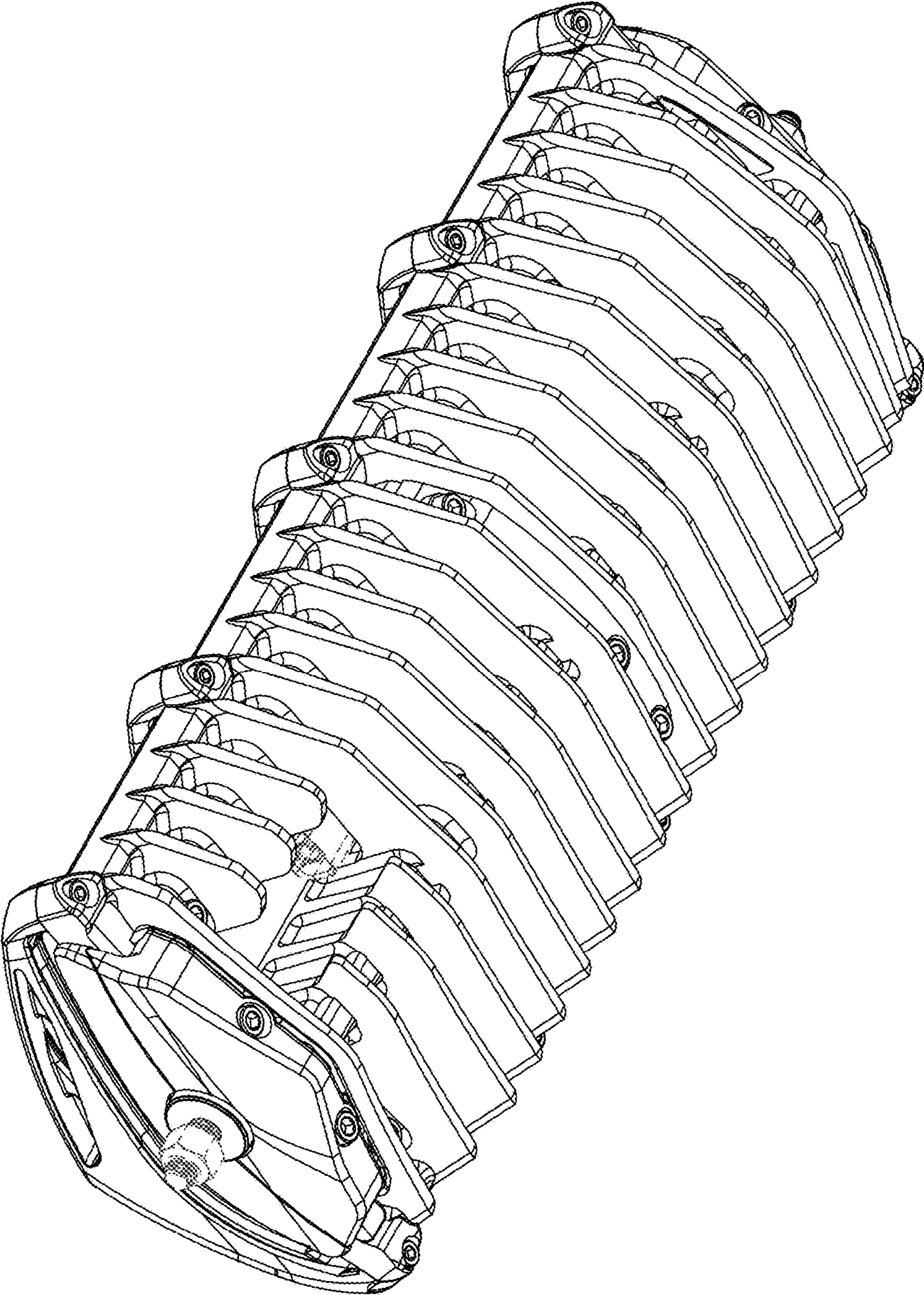


FIG. 7

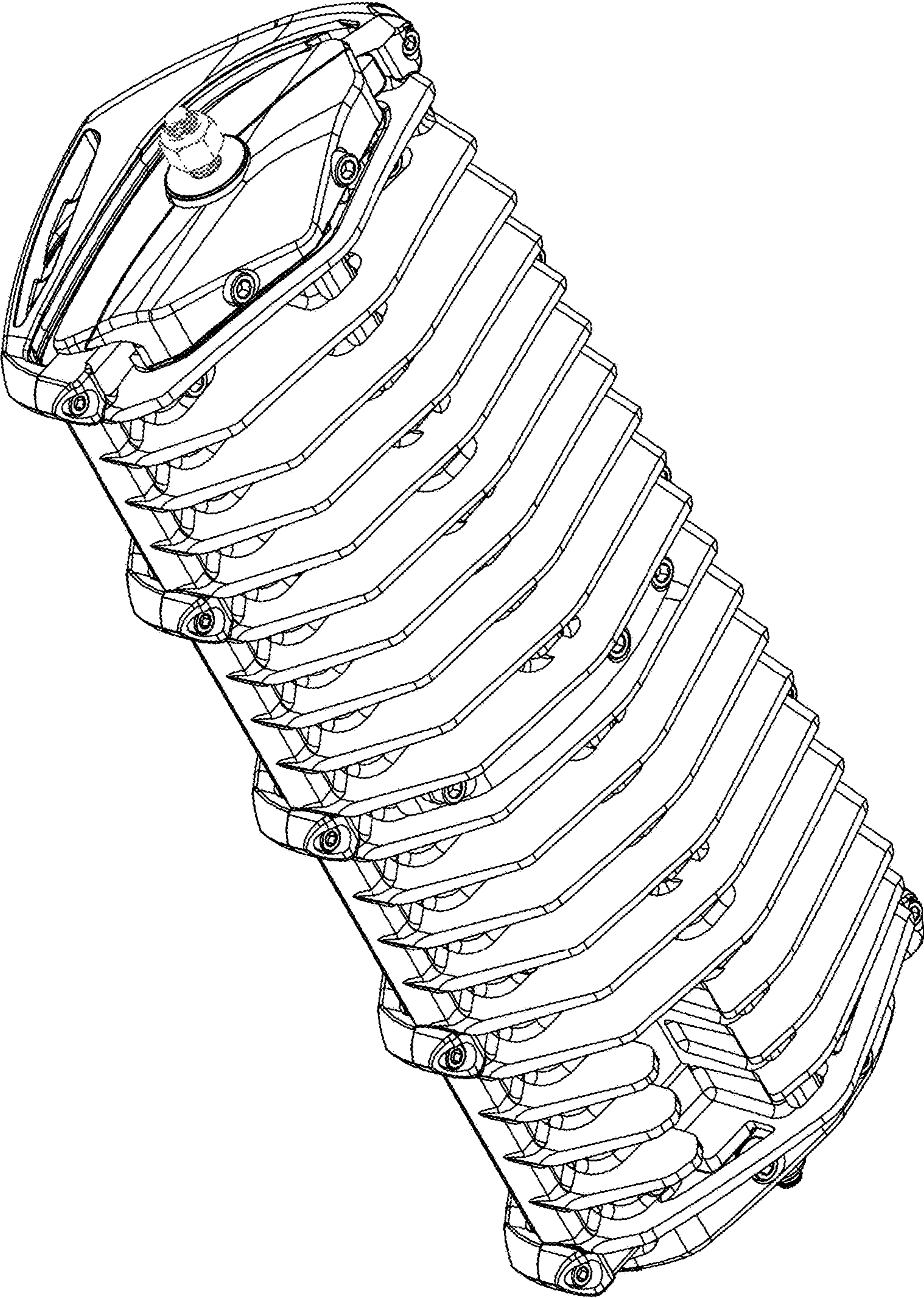


FIG. 8

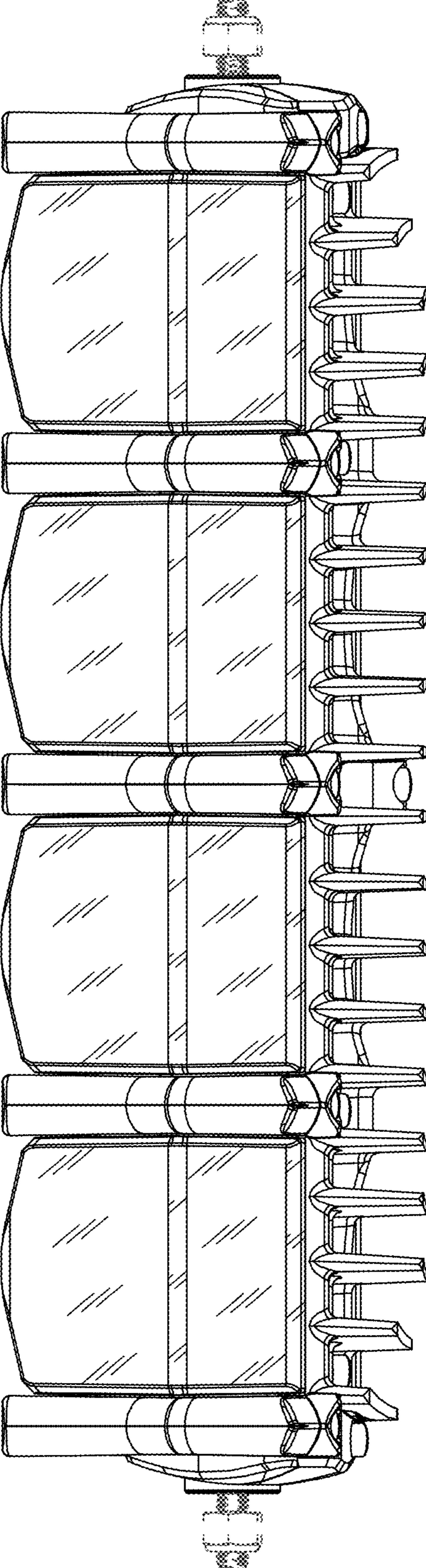


FIG. 9

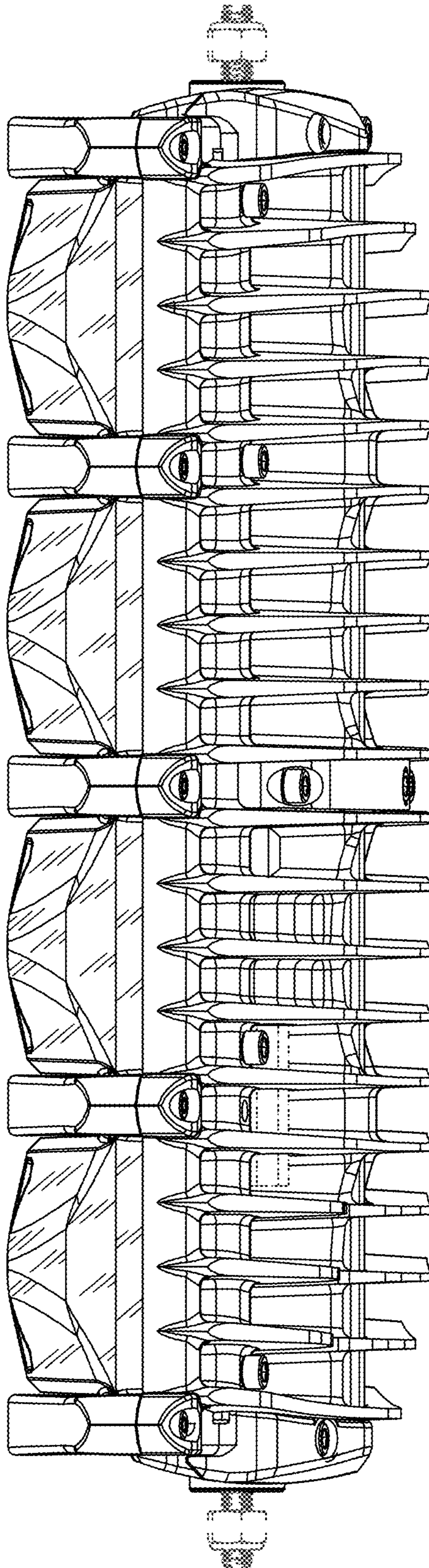


FIG. 10

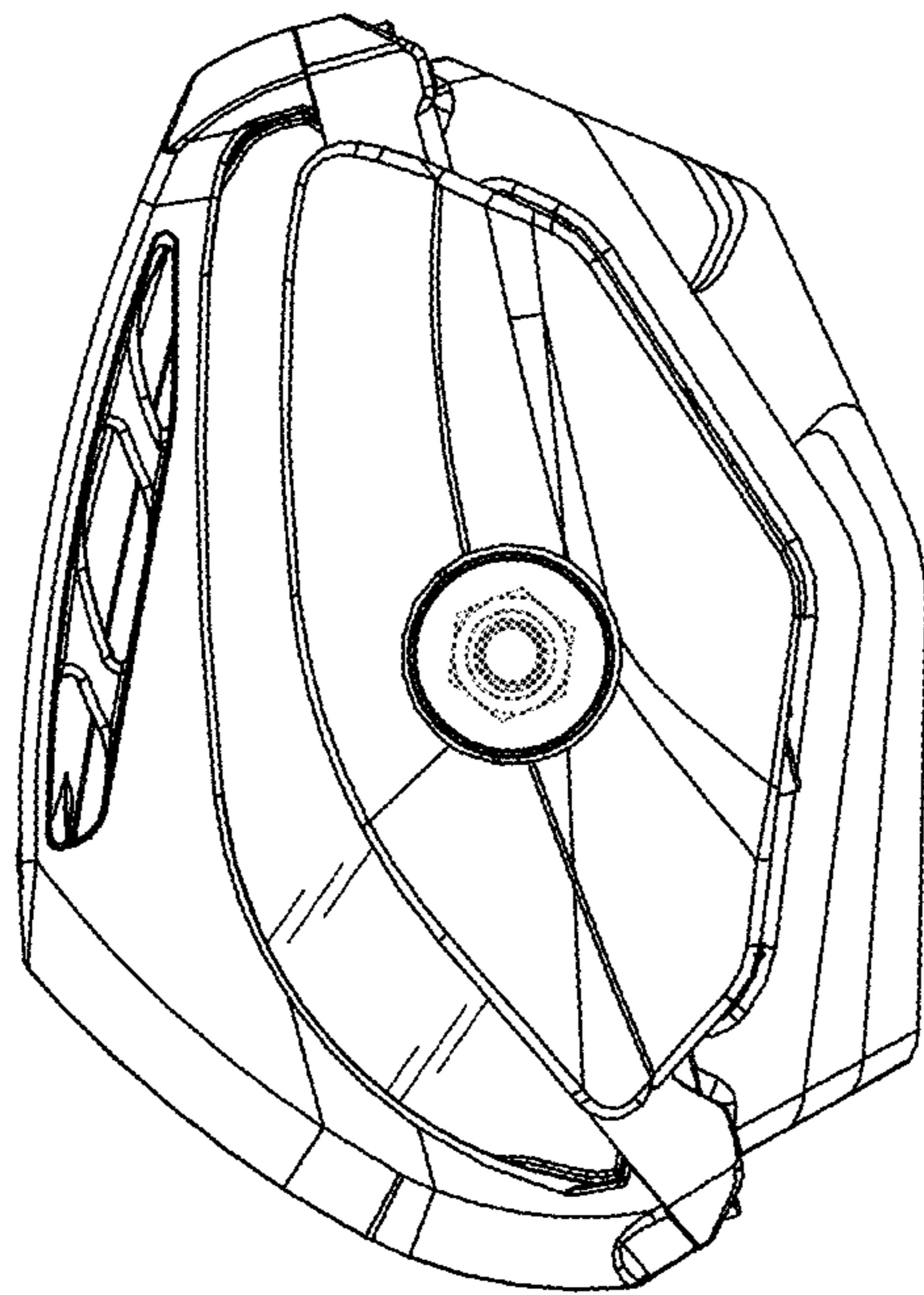


FIG. 11

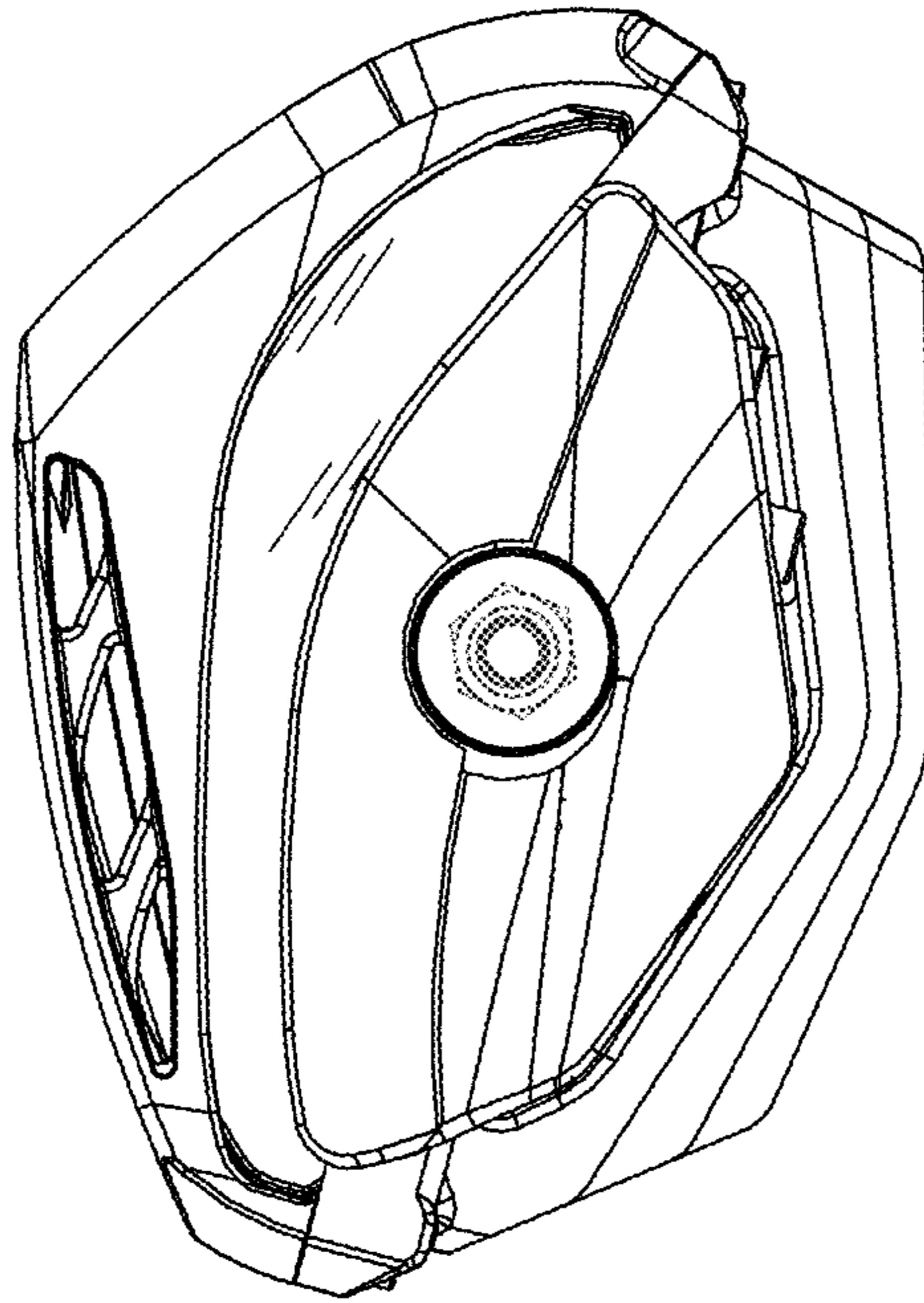


FIG. 12

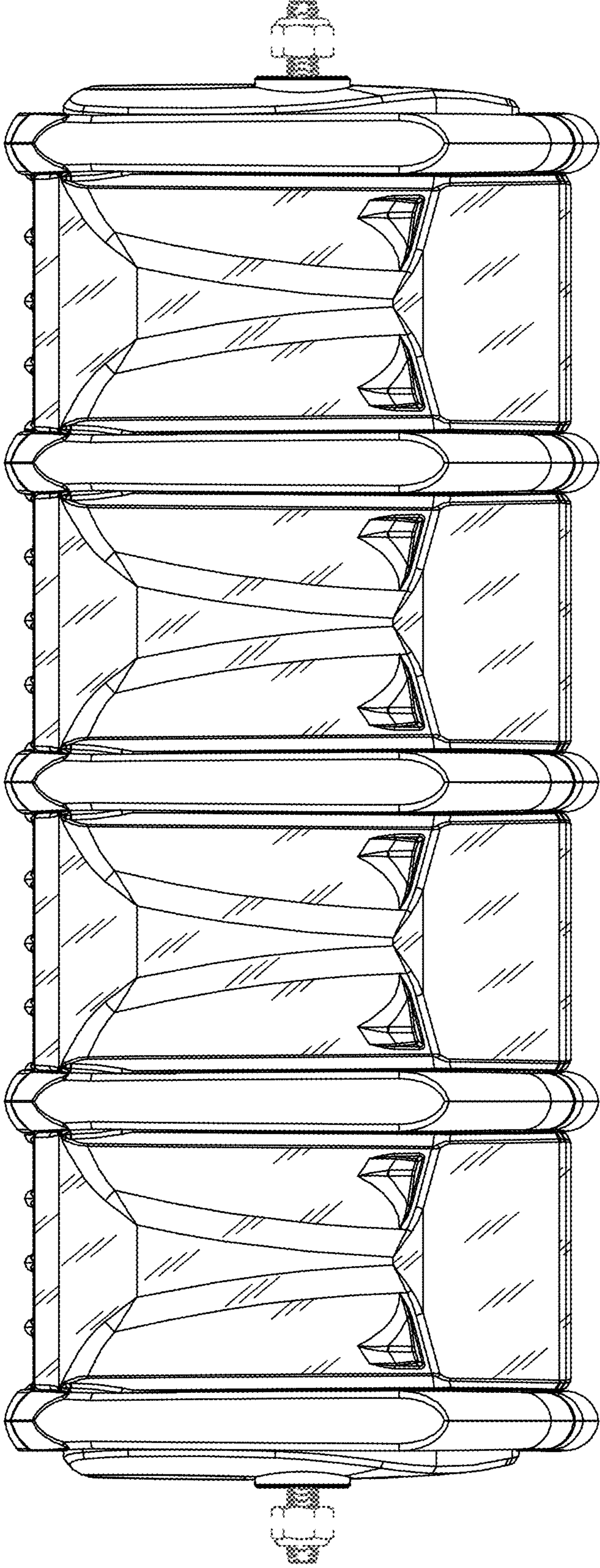


FIG. 13

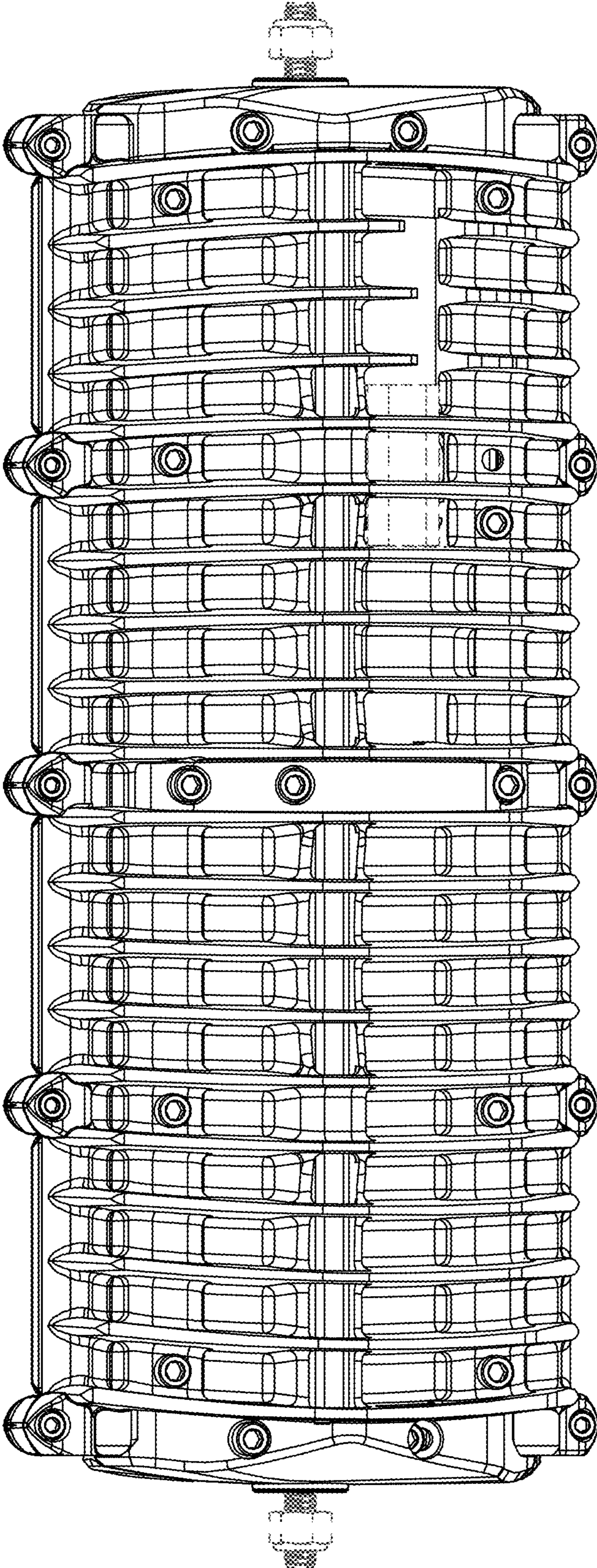


FIG. 14

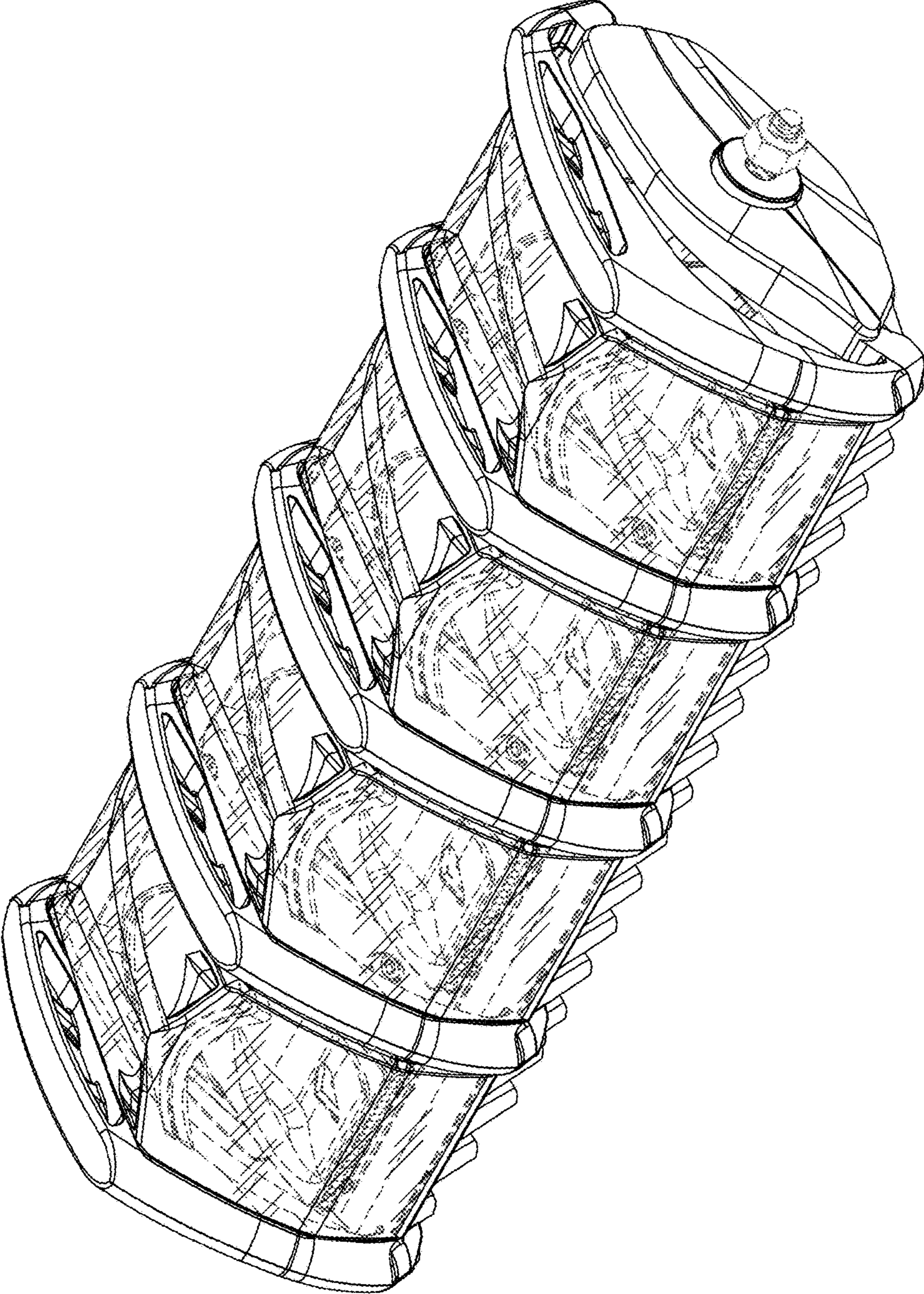


FIG. 15

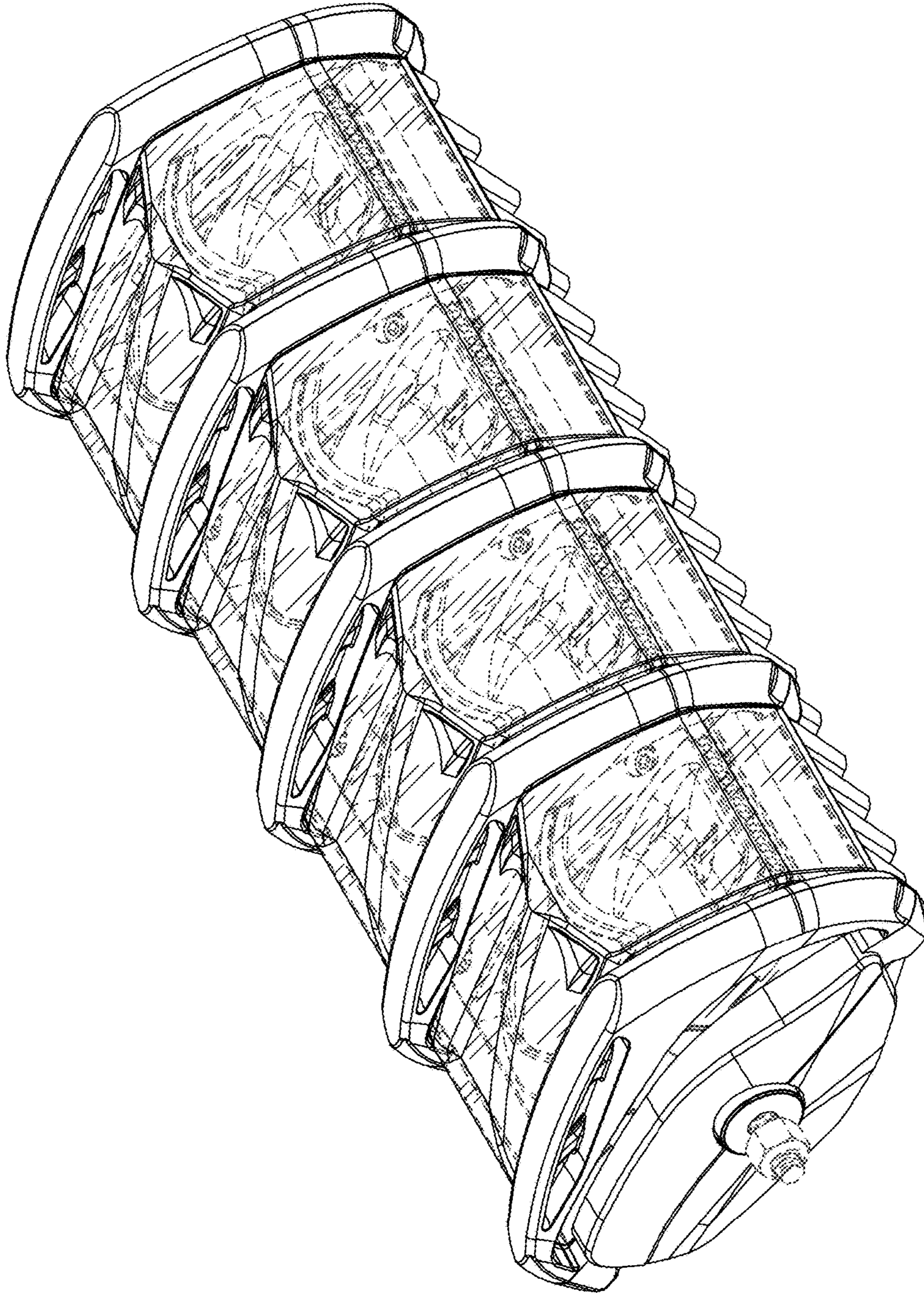


FIG. 16

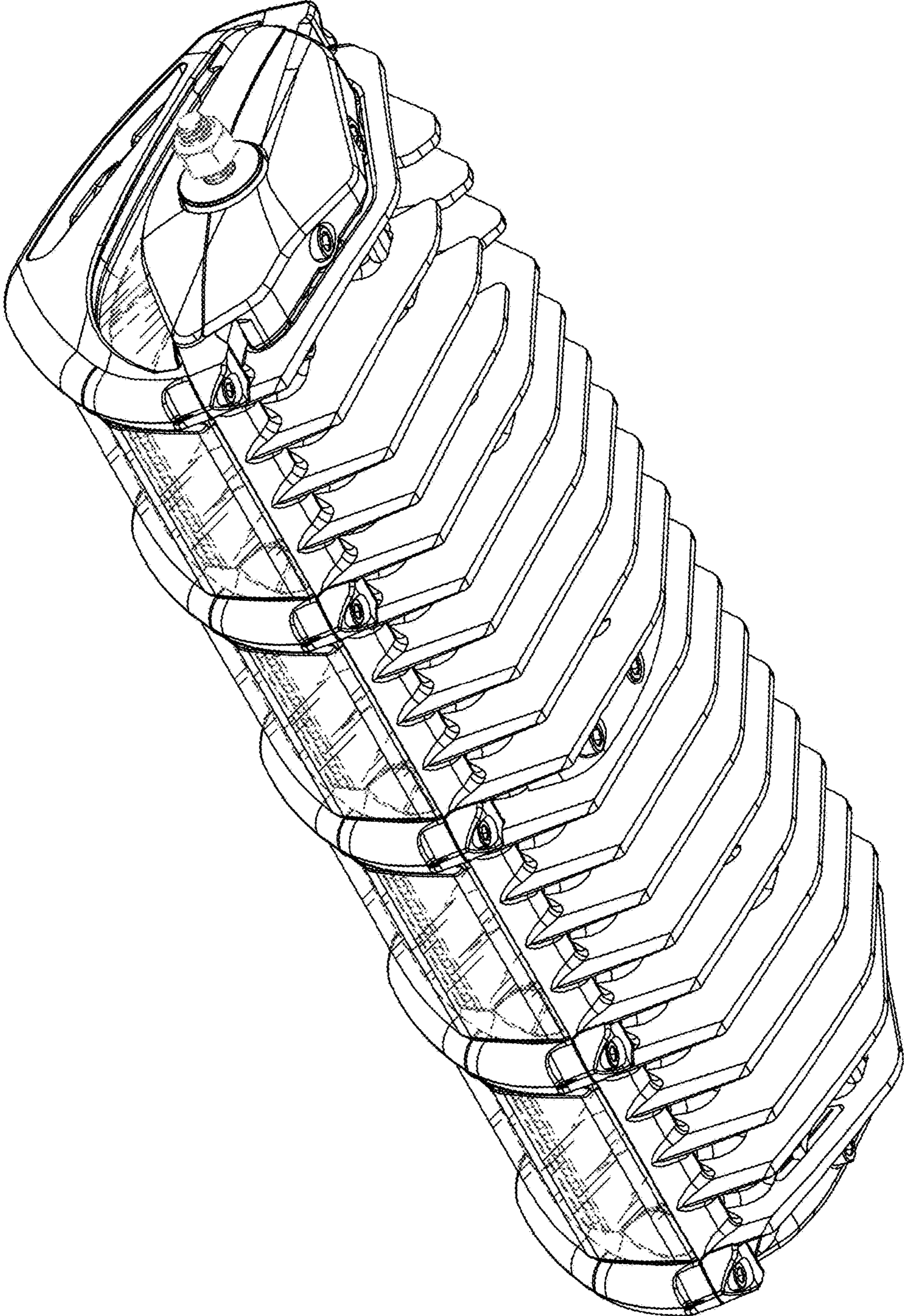


FIG. 17

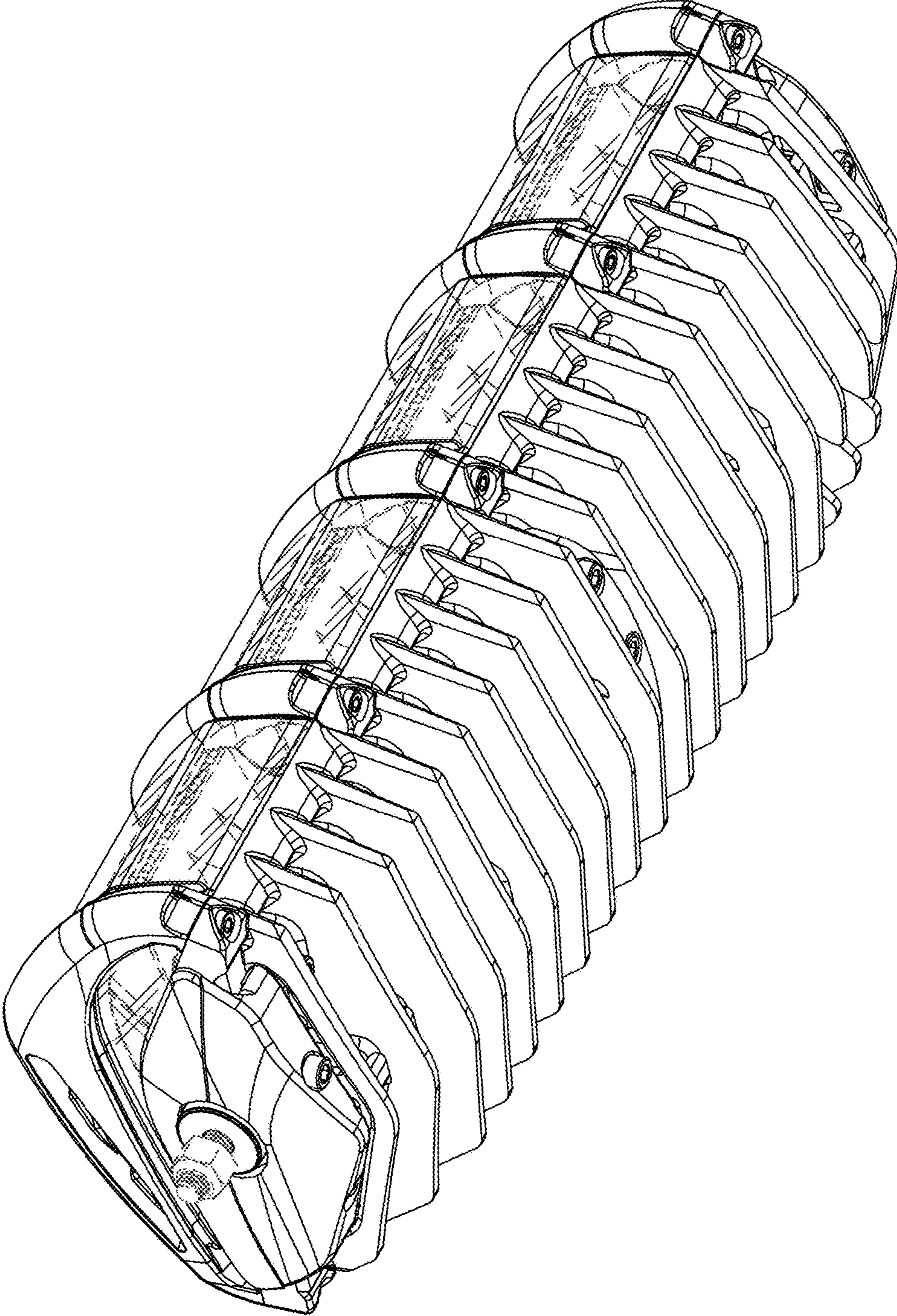


FIG. 18

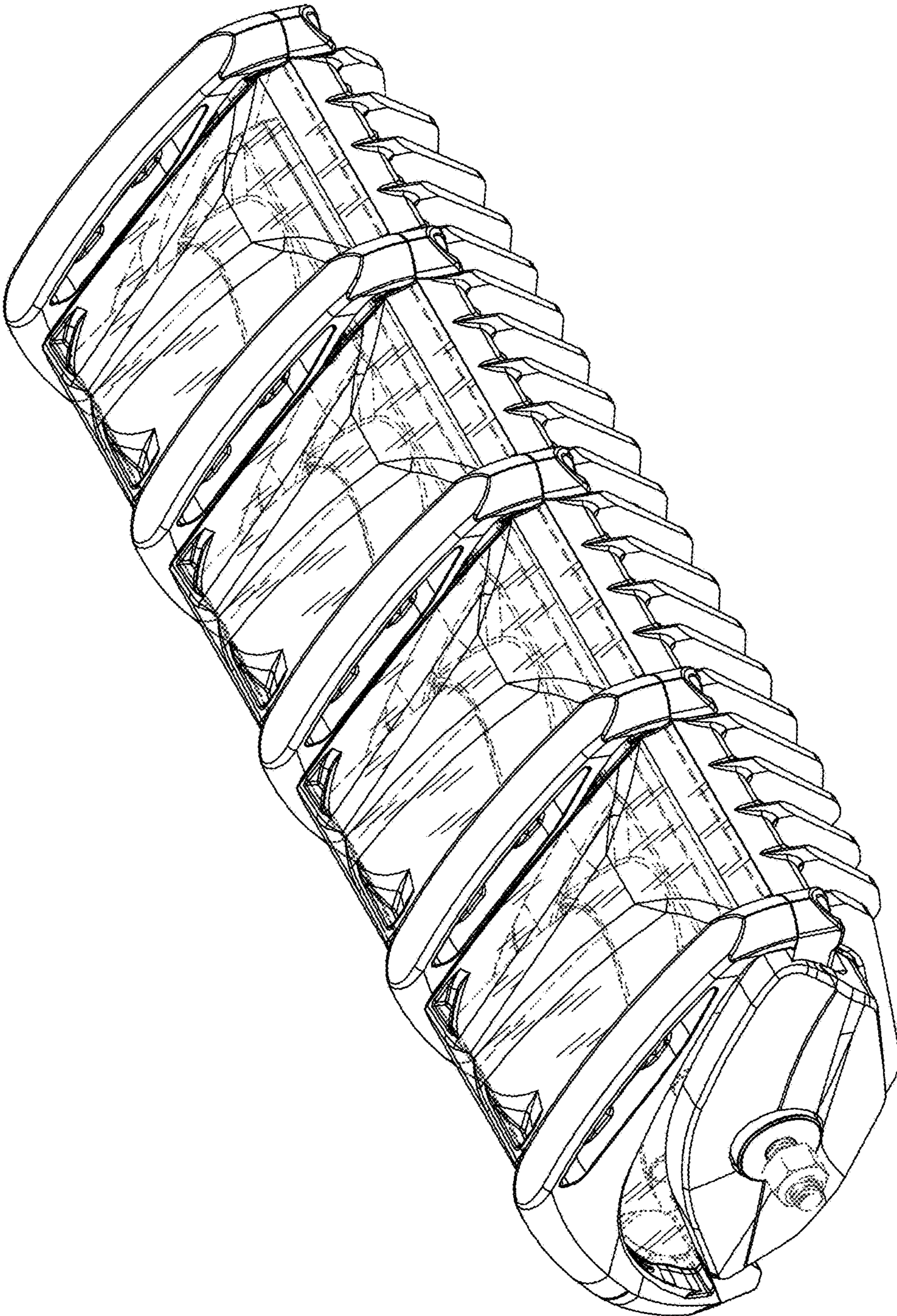


FIG. 19

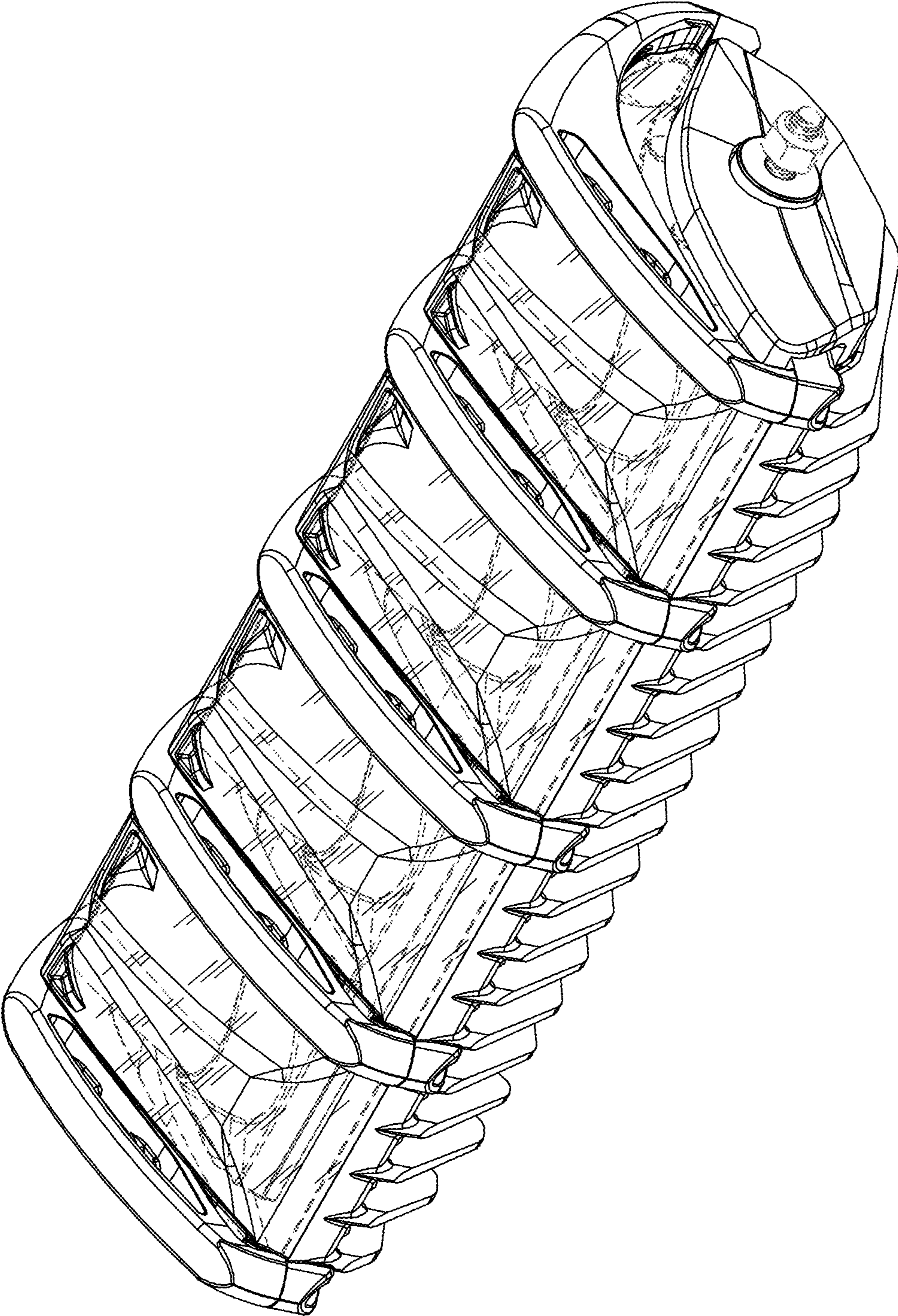


FIG. 20

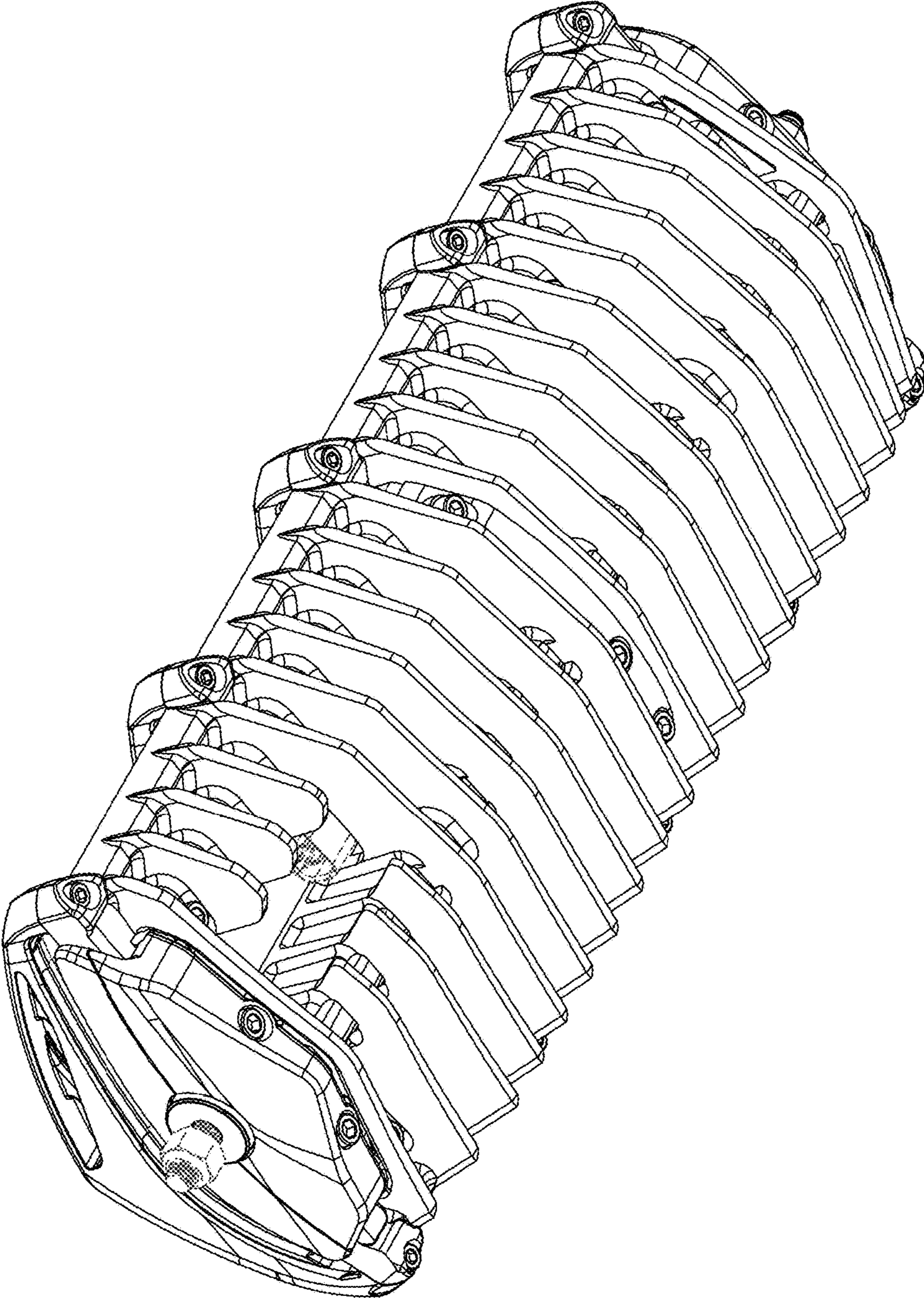


FIG. 21

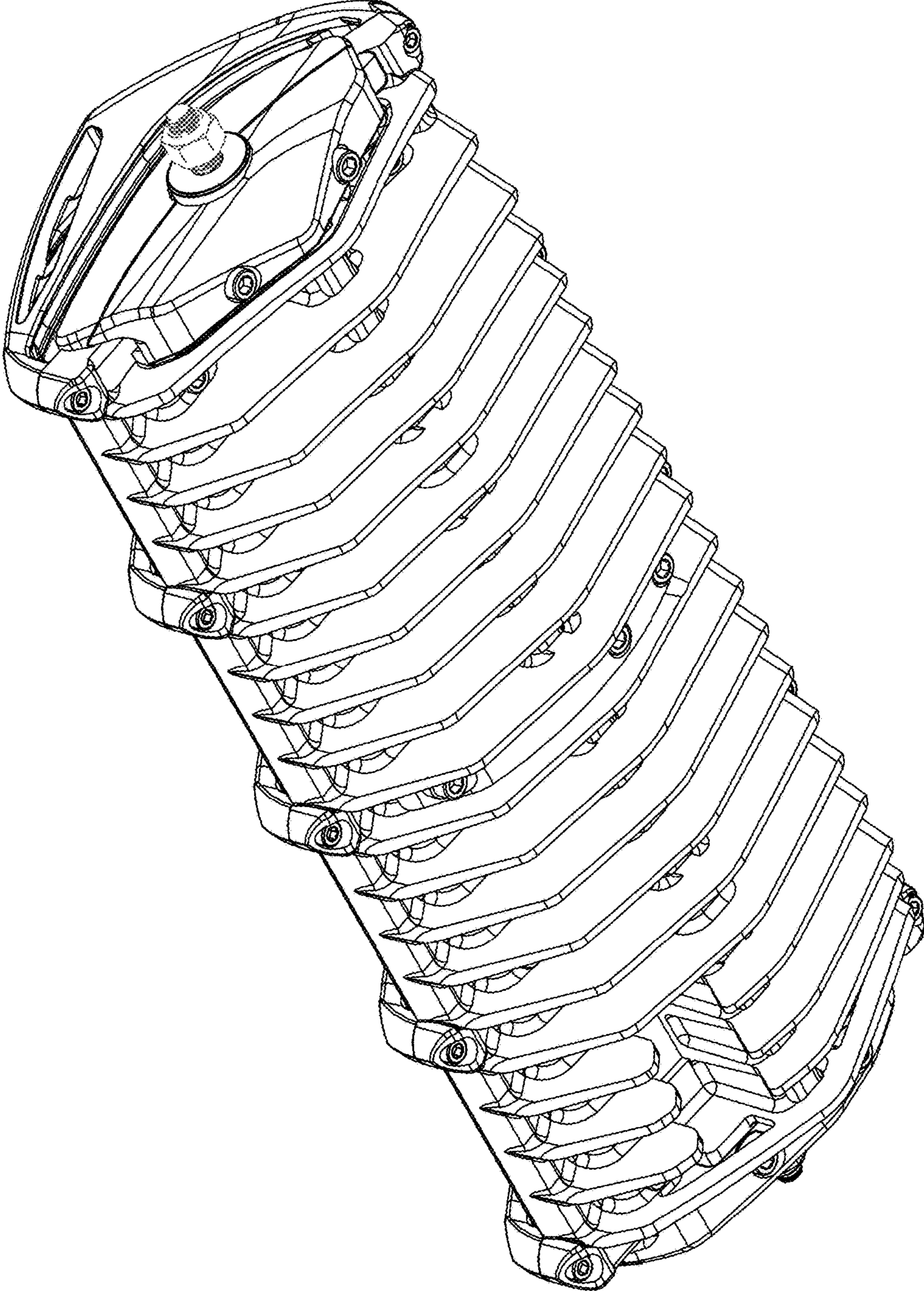


FIG. 22

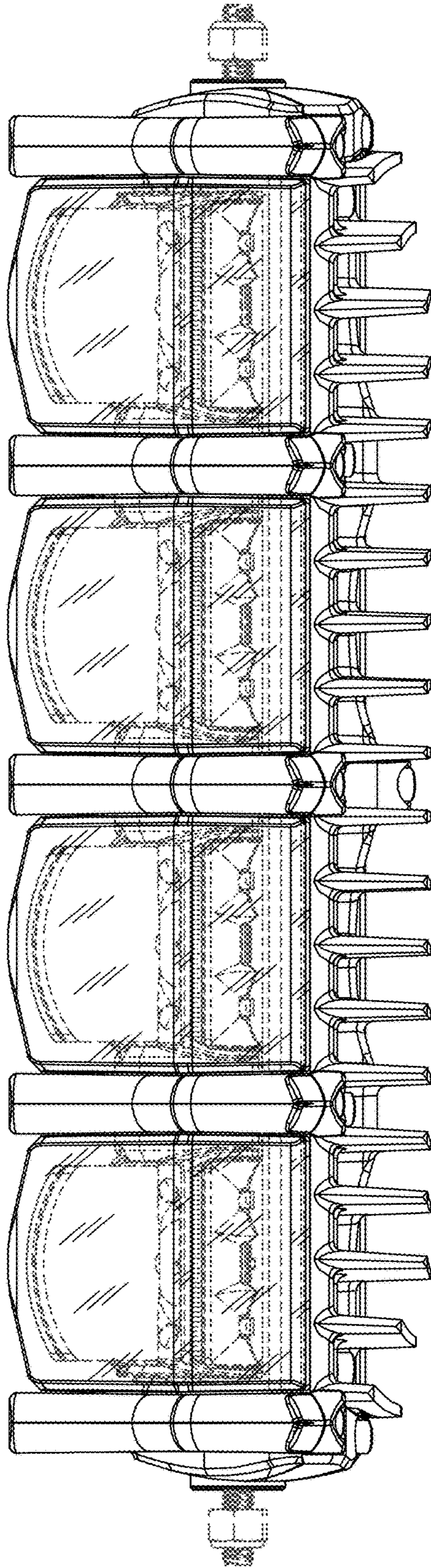


FIG. 23

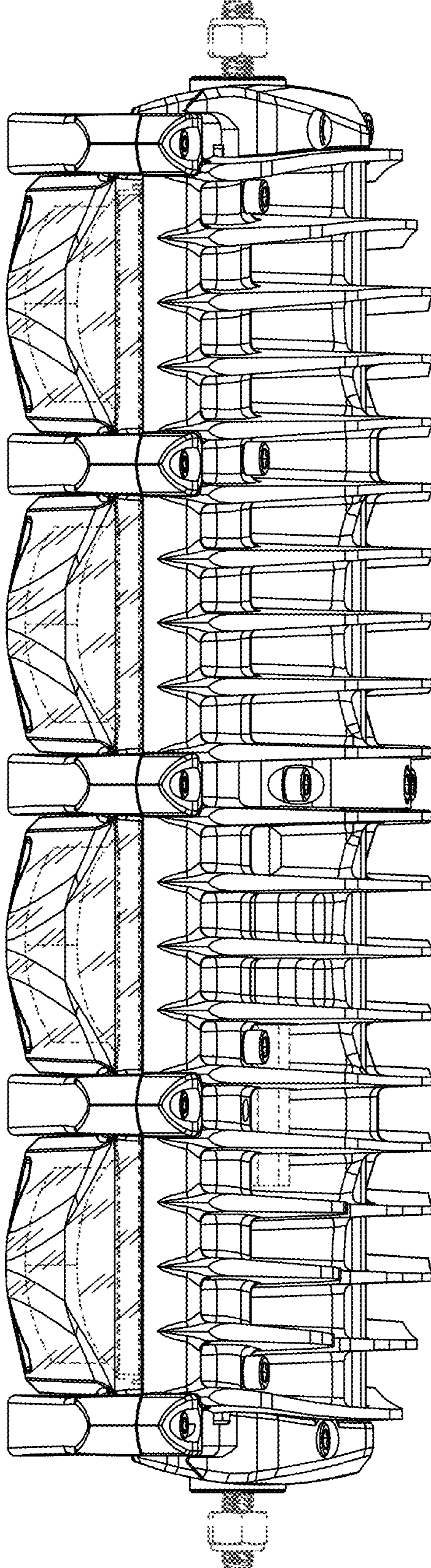


FIG. 24

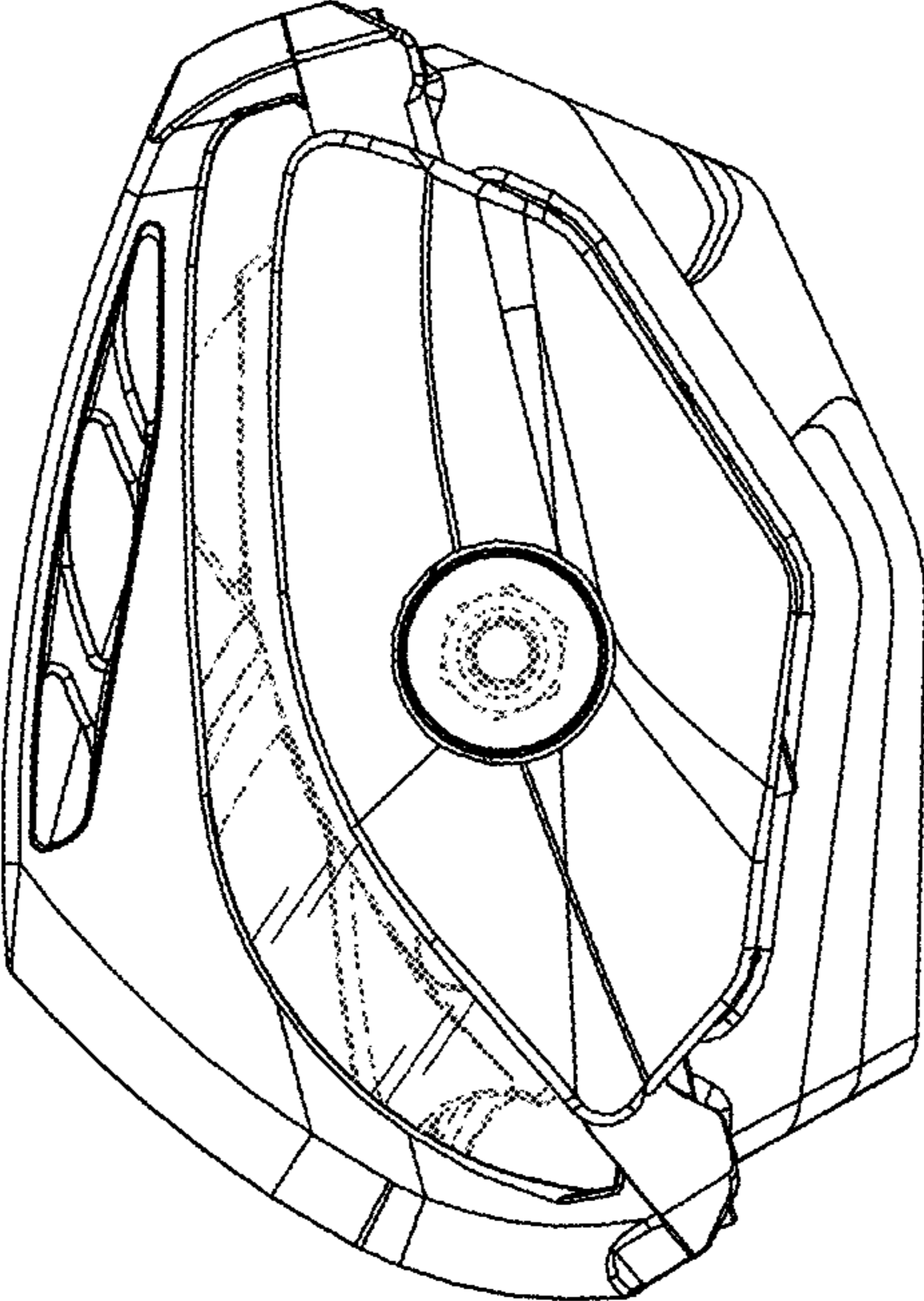


FIG. 25

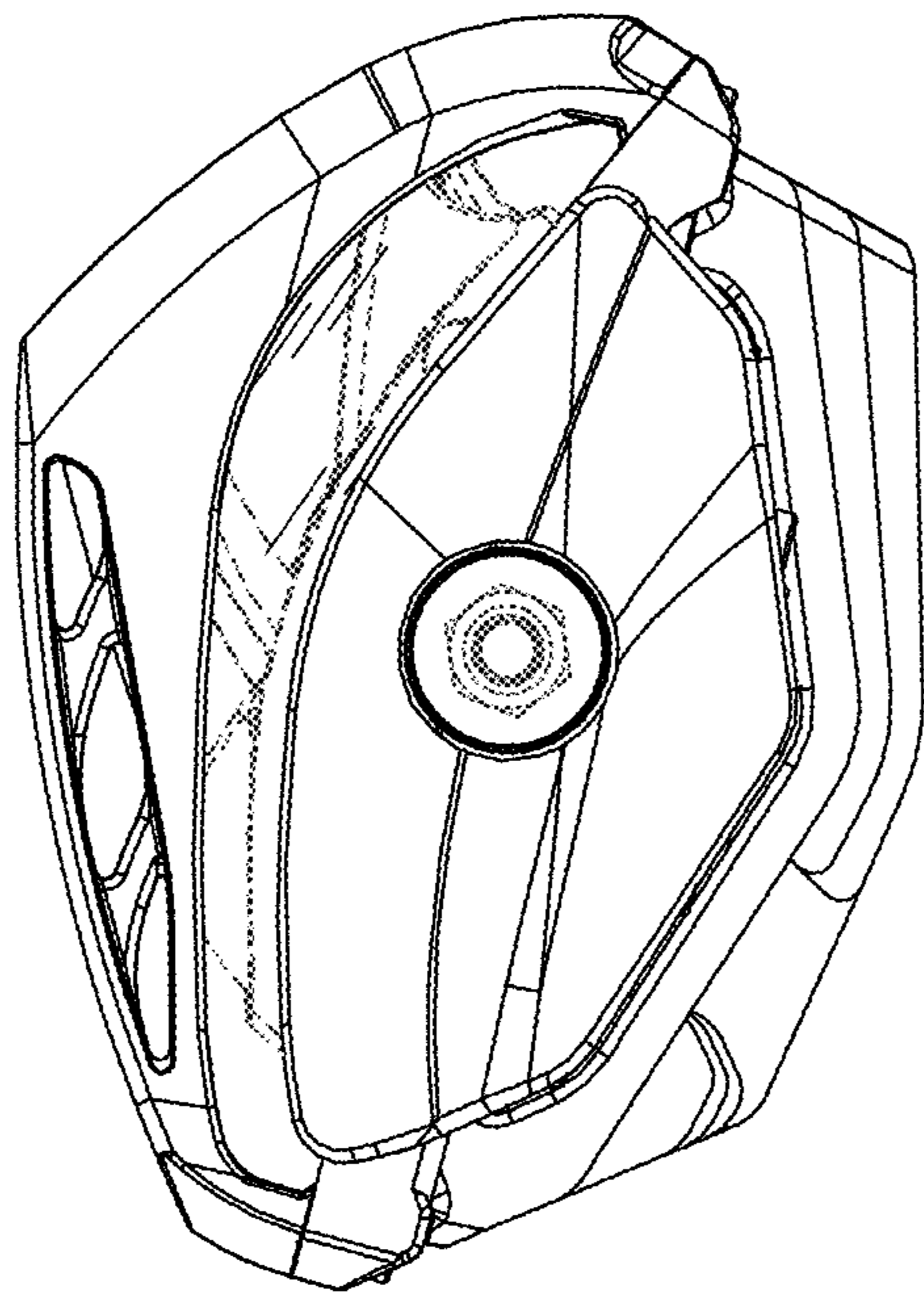


FIG. 26

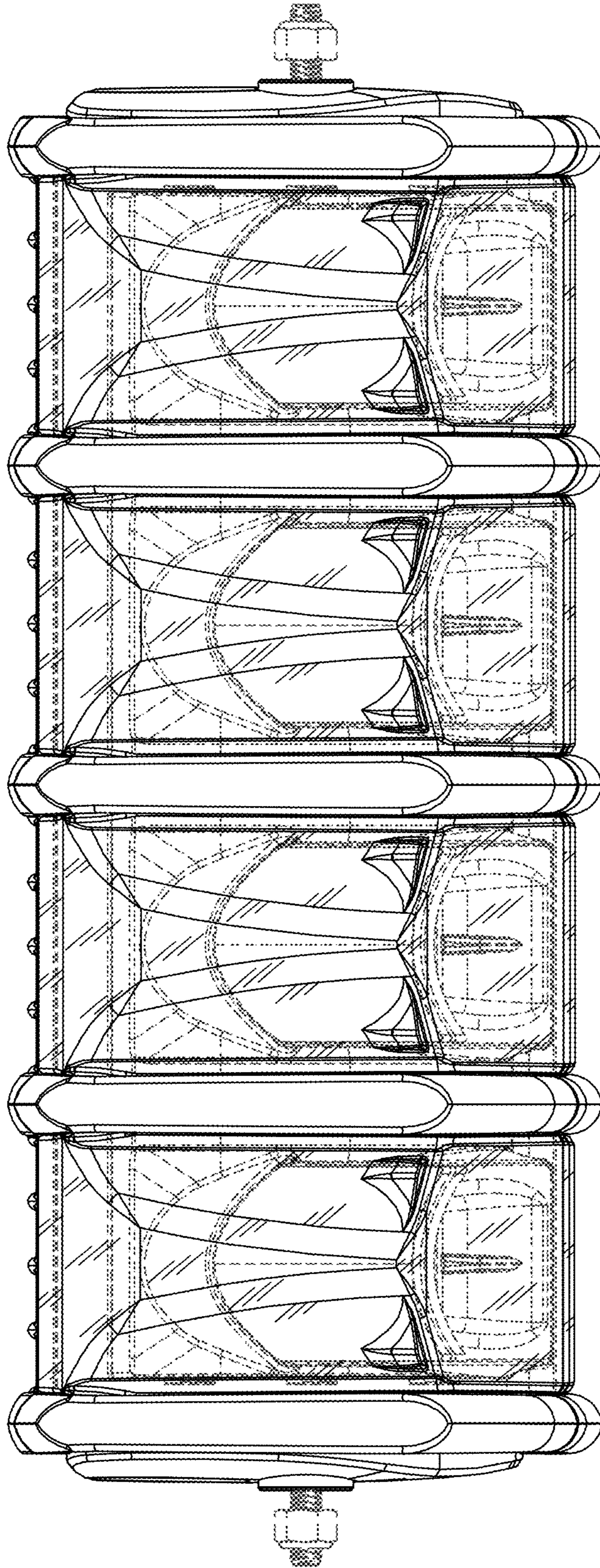


FIG. 27

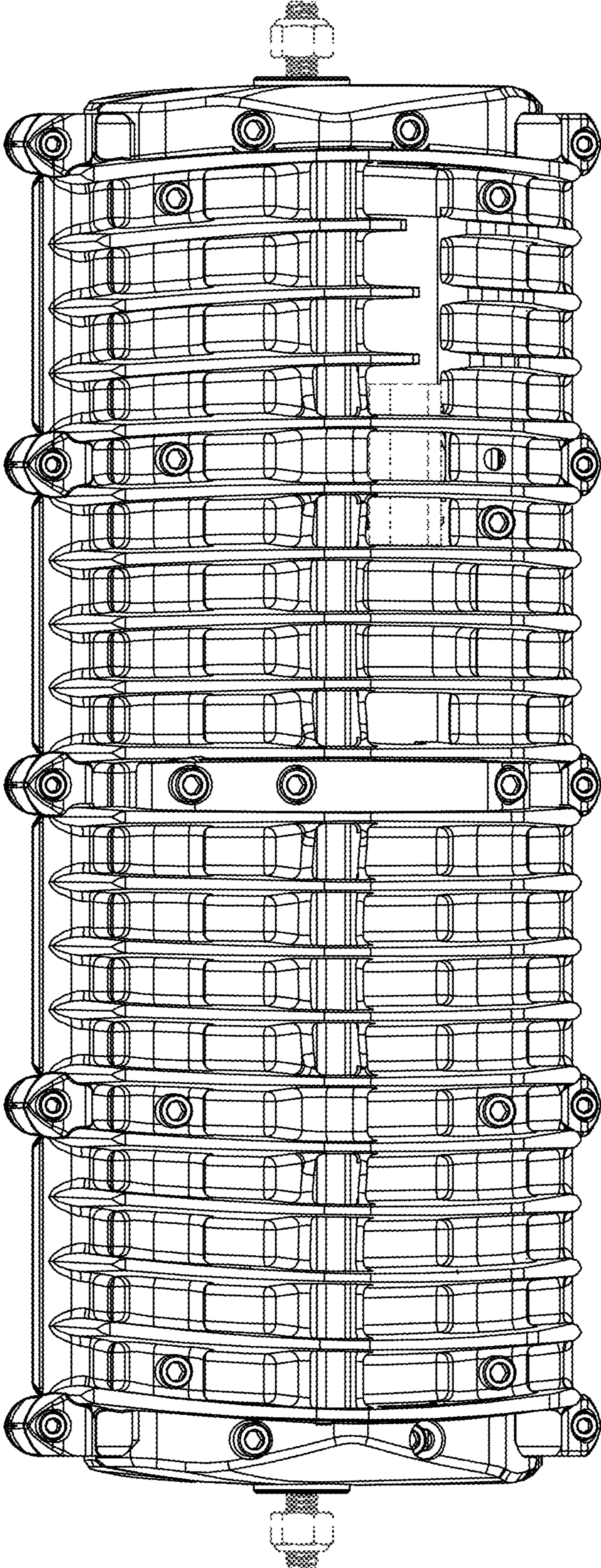


FIG. 28