



US00D828931S

(12) **United States Design Patent**
Sailer

(10) **Patent No.:** **US D828,931 S**

(45) **Date of Patent:** **** Sep. 18, 2018**

(54) **STEP UNIT WITH FALL ARREST CAPABILITY HAVING A BUILT-IN SUPPORT PLATE**

Primary Examiner — Cynthia Ramirez
Assistant Examiner — Gino Colan
(74) *Attorney, Agent, or Firm* — LambentIP

(71) Applicant: **Glenn Sailer**, Escondido, CA (US)

(72) Inventor: **Glenn Sailer**, Escondido, CA (US)

(**) Term: **15 Years**

(21) Appl. No.: **29/625,317**

(22) Filed: **Nov. 8, 2017**

Related U.S. Application Data

(63) Continuation-in-part of application No. 29/596,114, filed on Mar. 6, 2017, now Pat. No. Des. 805,658, (Continued)

(51) **LOC (11) Cl.** **25-04**

(52) **U.S. Cl.**
USPC **D25/69**

(58) **Field of Classification Search**
USPC D25/62–69; 182/120, 156, 40, 180.1, 182/202, 201, 204, 228.1, 229.2, 228.6, (Continued)

(56) **References Cited**

U.S. PATENT DOCUMENTS

3,399,746 A * 9/1968 Wood E06C 9/04
182/100
4,449,612 A * 5/1984 Southard A63B 27/00
108/152

(Continued)

OTHER PUBLICATIONS

StepBoltInst.DOC (Rev. Feb. 10, 2015) P/N 230311, Buckingham Mfg. Co. Inc., Warnings/Instructions, Step Bolt with Anchor (part No. 3058 & 3075).

(Continued)

(57) **CLAIM**

The ornamental design for a step unit with fall arrest capability having a built-in support plate, as shown and described.

DESCRIPTION

FIG. 1 is a perspective view of a step unit with fall arrest capability having a built-in support plate, in an assembled configuration, showing my design.

FIG. 2 is an exploded perspective view thereof.

FIG. 3 is a right side elevational view thereof.

FIG. 4 is a top plan view thereof.

FIG. 5 is a perspective view of the step member of the step unit with fall arrest capability having the built-in support plate.

FIG. 6 is a right side elevational view thereof.

FIG. 7 is a front elevational view thereof.

FIG. 8 is a rear elevational view thereof.

FIG. 9 is a top plan view thereof.

FIG. 10 is a bottom plan view thereof.

FIG. 11 is a perspective view of the rod member of the step unit with fall arrest capability having the built-in support plate.

FIG. 12 is a right side elevation view thereof.

FIG. 13 is a top plan view thereof.

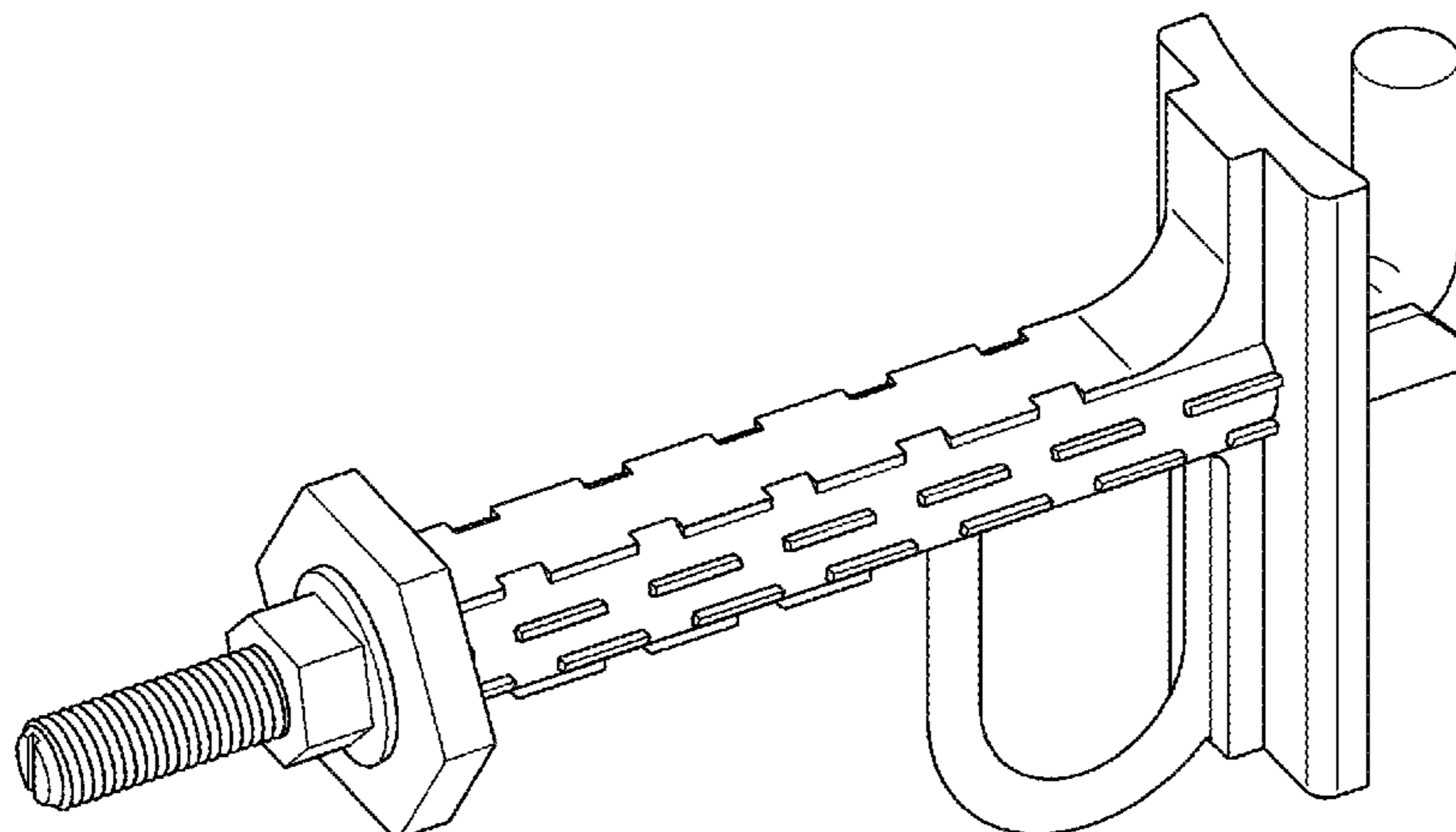
FIG. 14 is a bottom plan view thereof.

FIG. 15 is a front elevation view thereof; and,

FIG. 16 is a rear elevational view thereof.

Members of the step unit with fall arrest capability having the built-in support plate are shown separately in FIGS. 5-16 for clarity of illustration. The broken lines shown in FIGS. 3 and 4 are for the purpose of illustrating environment and form no part of the claimed design.

1 Claim, 7 Drawing Sheets



Related U.S. Application Data

which is a continuation of application No. 15/263, 128, filed on Sep. 12, 2016, which is a continuation-in-part of application No. 14/811,713, filed on Jul. 28, 2015.

(58) **Field of Classification Search**

USPC 182/100, 152, 189, 92, 87, 90; 248/210, 248/218.4
CPC ... E06C 1/387; E06C 7/00; E06C 7/50; E06C 7/081; E06C 7/084

See application file for complete search history.

D429,002	S	*	8/2000	Takahashi	D25/69
D429,003	S	*	8/2000	Takahashi	D25/69
6,378,822	B1		4/2002	Franks		
6,595,323	B2		7/2003	Lindsey et al.		
D631,981	S	*	2/2011	Henry	D25/69
D655,597	S		3/2012	Matzek et al.		
8,387,752	B2		3/2013	Lagerstedt		
9,409,055	B1	*	8/2016	Niemela	A63B 27/00
2002/0066620	A1	*	6/2002	Lindsey	E06C 1/34 182/92
2005/0040303	A1		2/2005	Diggle et al.		
2009/0045012	A1	*	2/2009	Mencl	A63B 27/00 182/92

(56)

References Cited

U.S. PATENT DOCUMENTS

4,932,497	A	*	6/1990	Raso	A63B 27/00 182/189
5,544,717	A		8/1996	White et al.		
5,941,485	A		8/1999	Davidson et al.		

OTHER PUBLICATIONS

SP421 REV.D, Permanent D-Bolt Anchorage Connectors, Models: 415, 416, 416SS, 417, 417SS, 418, 418SS, 419, 419SS, Miller by Honeywell.

* cited by examiner

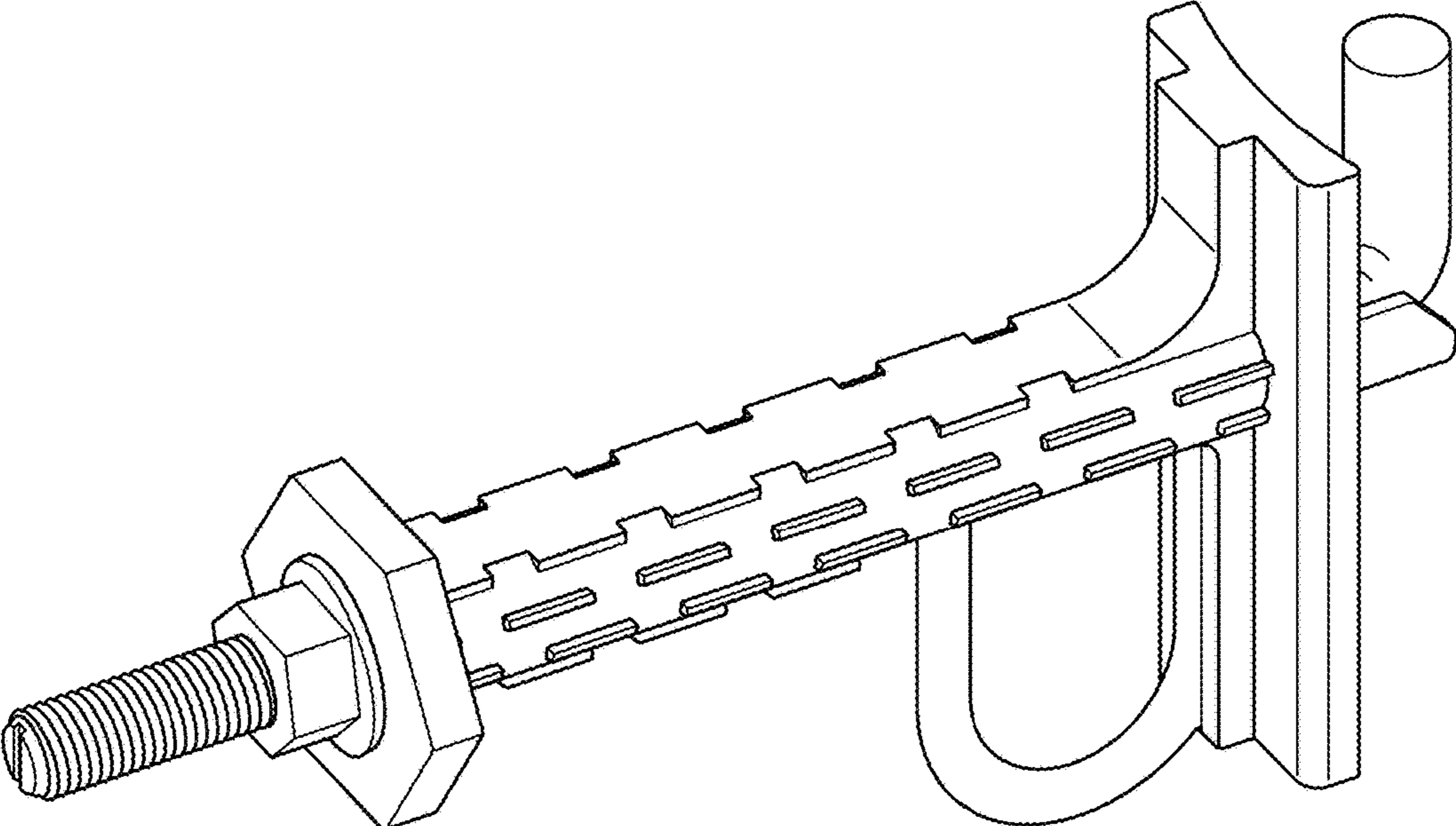


FIG. 1

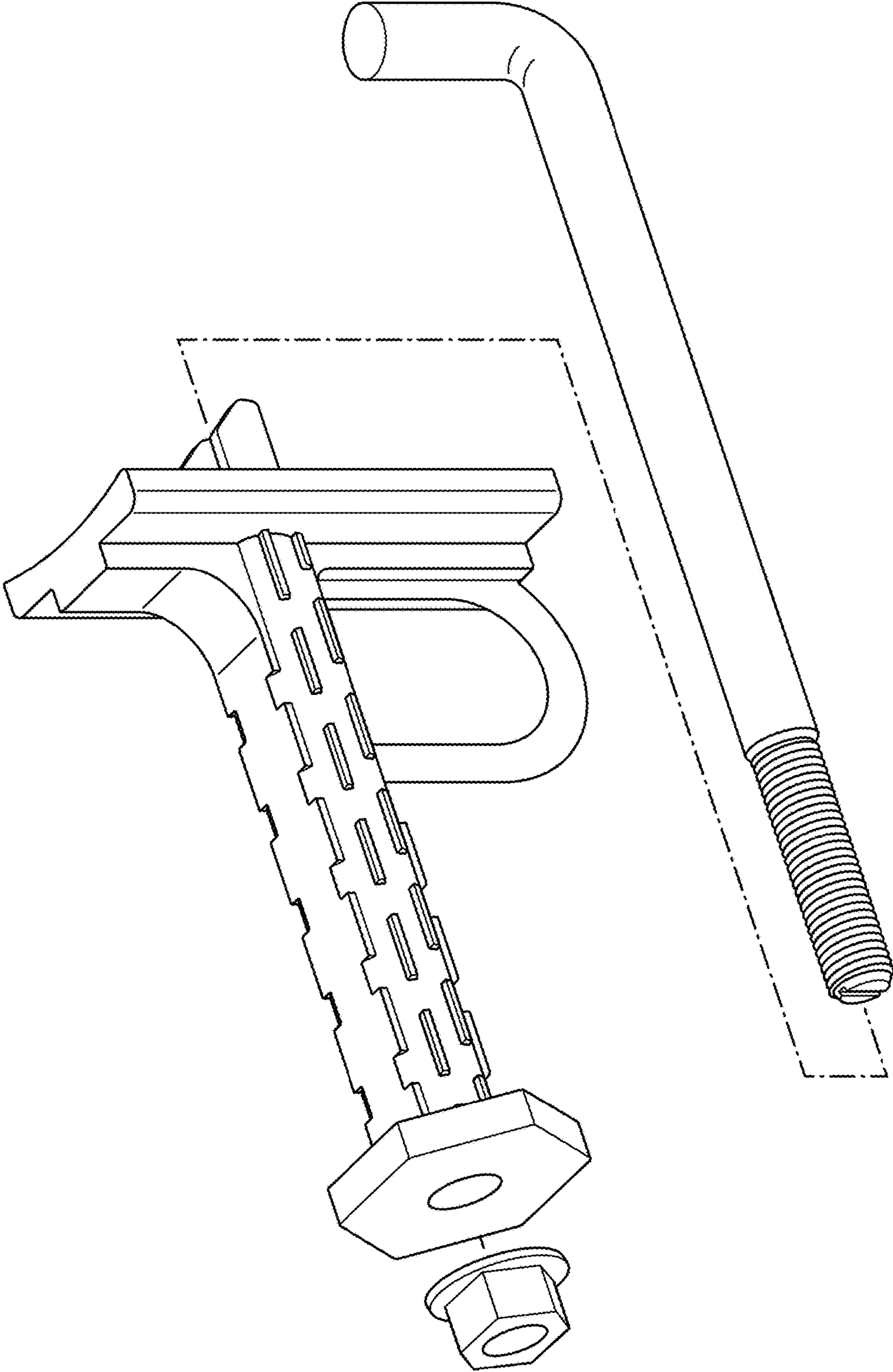


FIG. 2

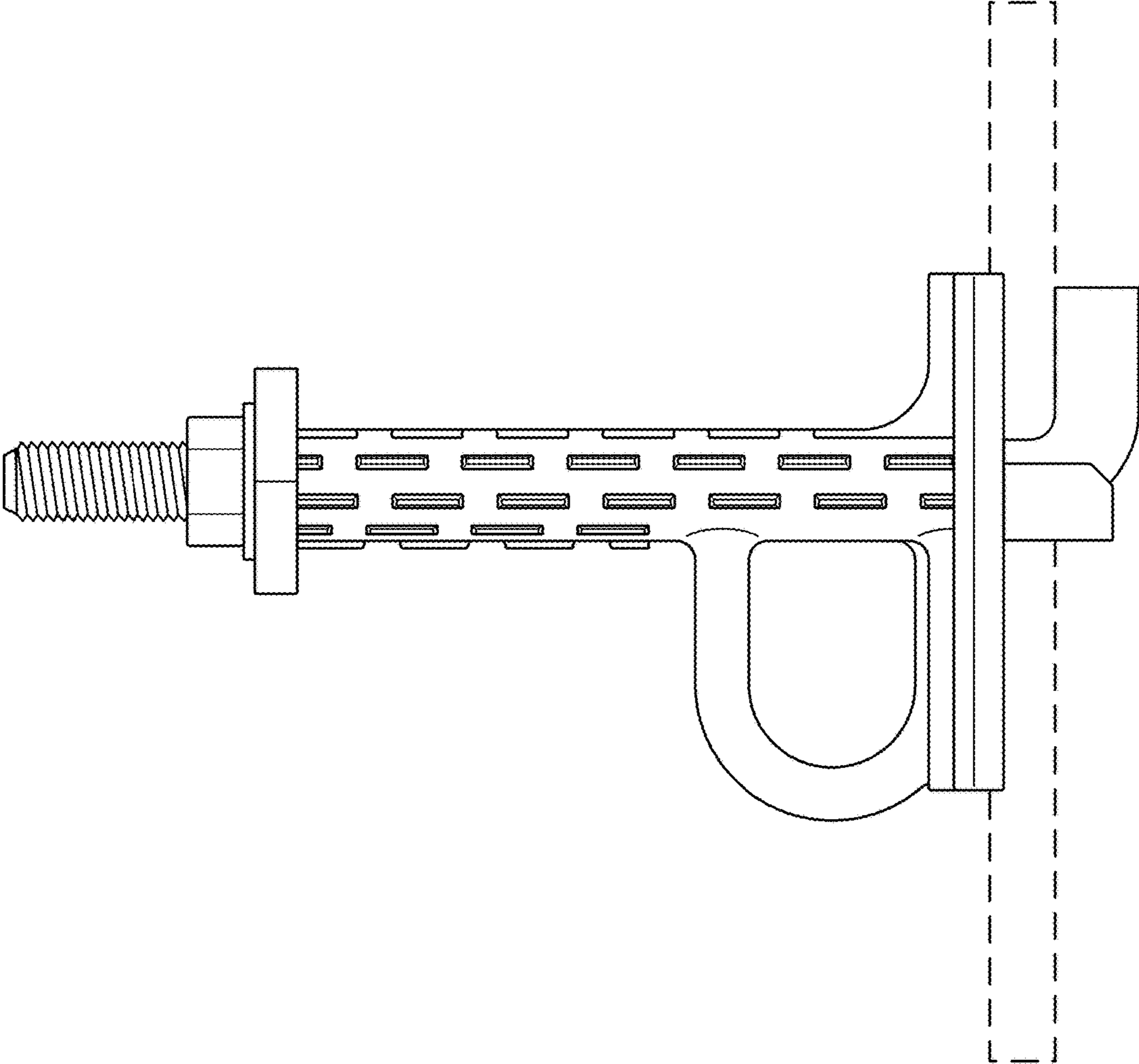


FIG. 3

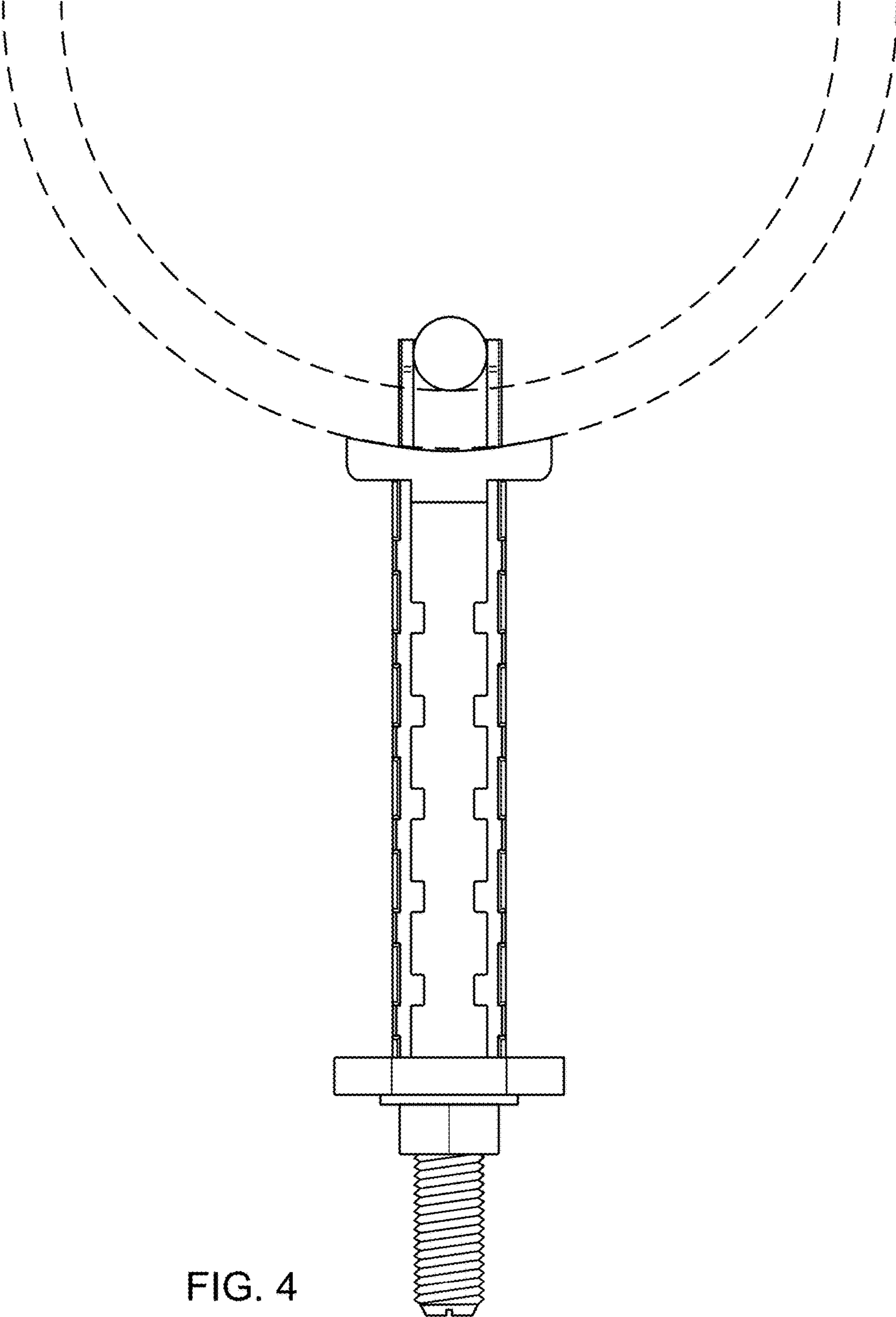


FIG. 4

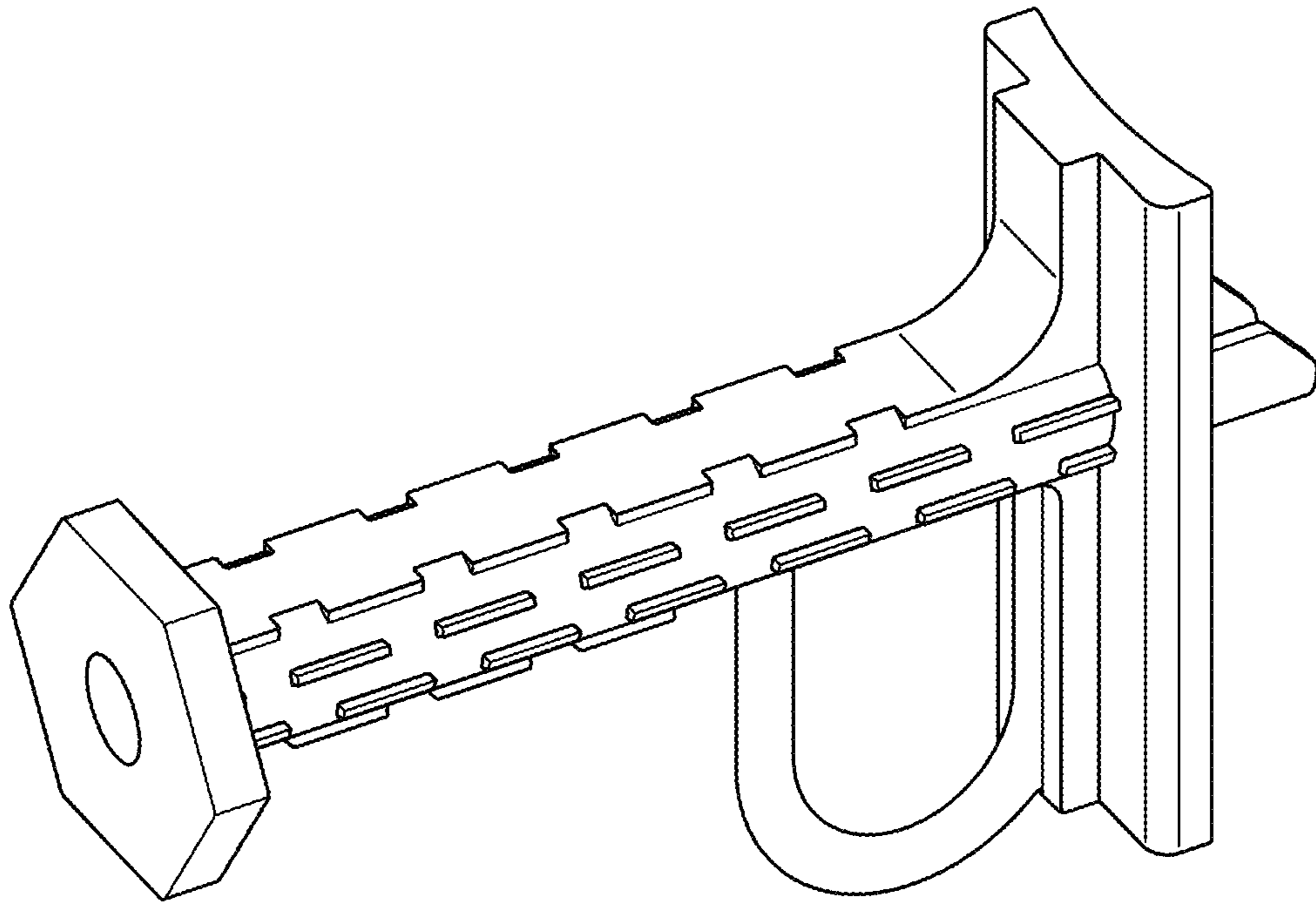


FIG. 5

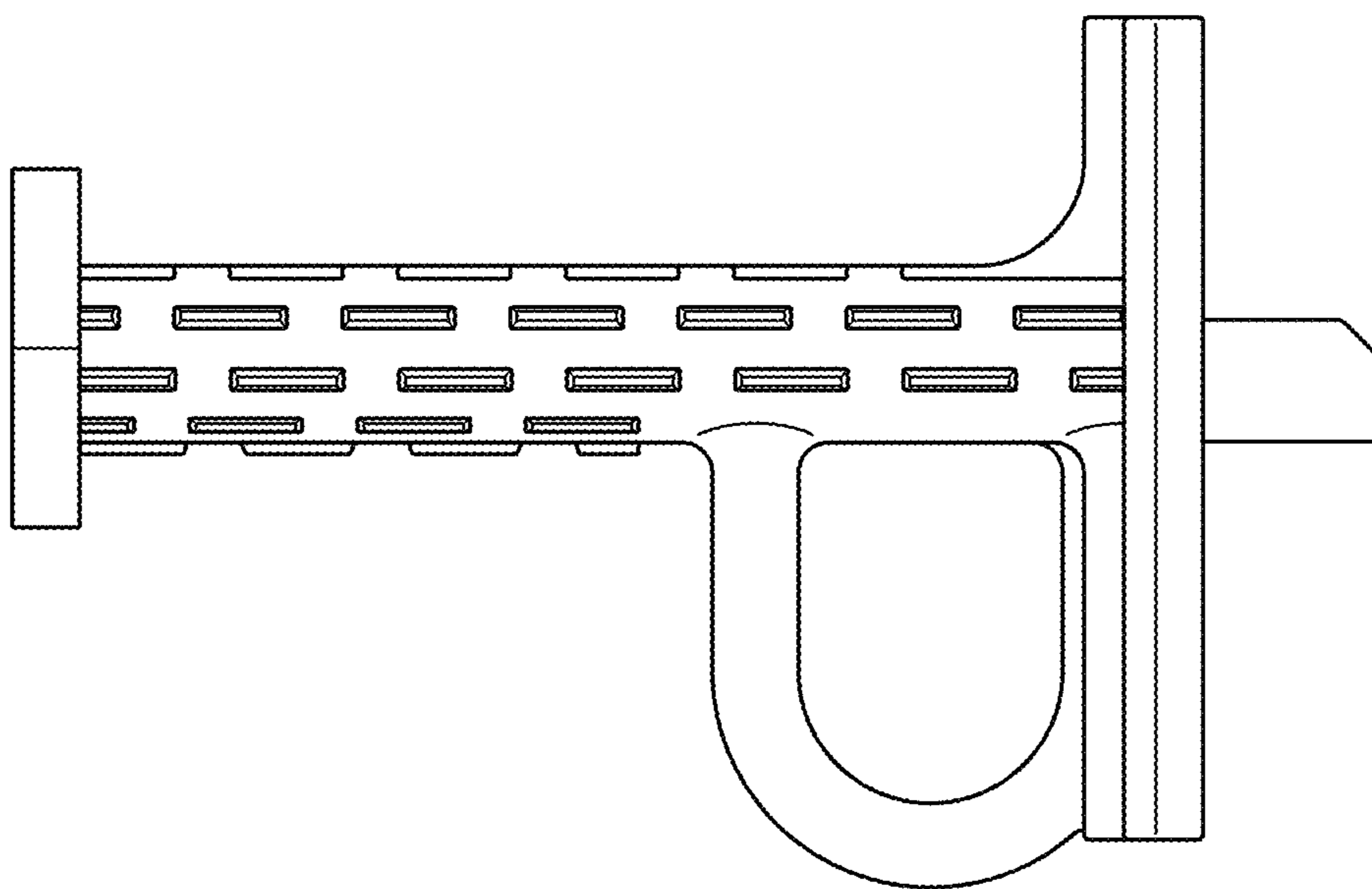


FIG. 6

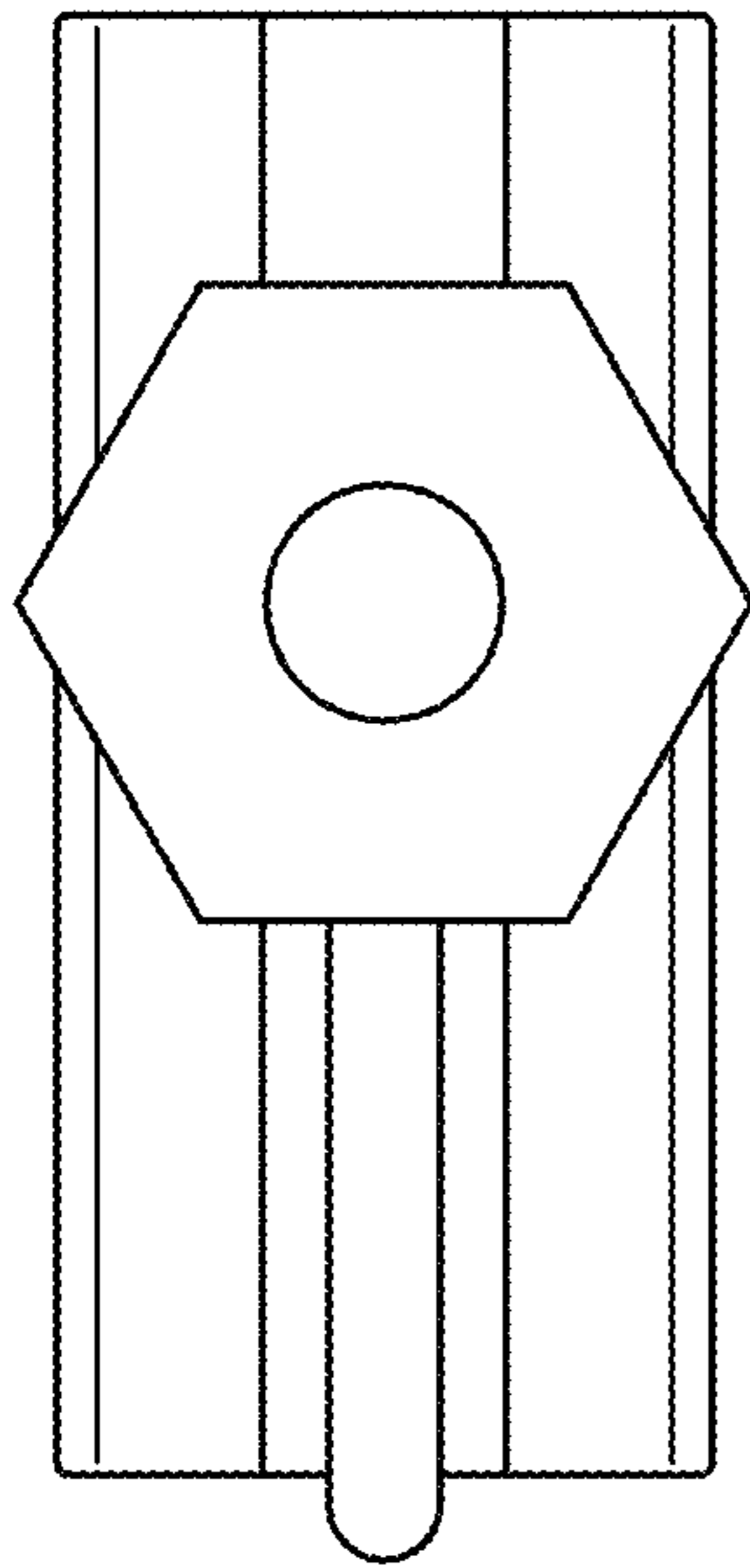


FIG. 7

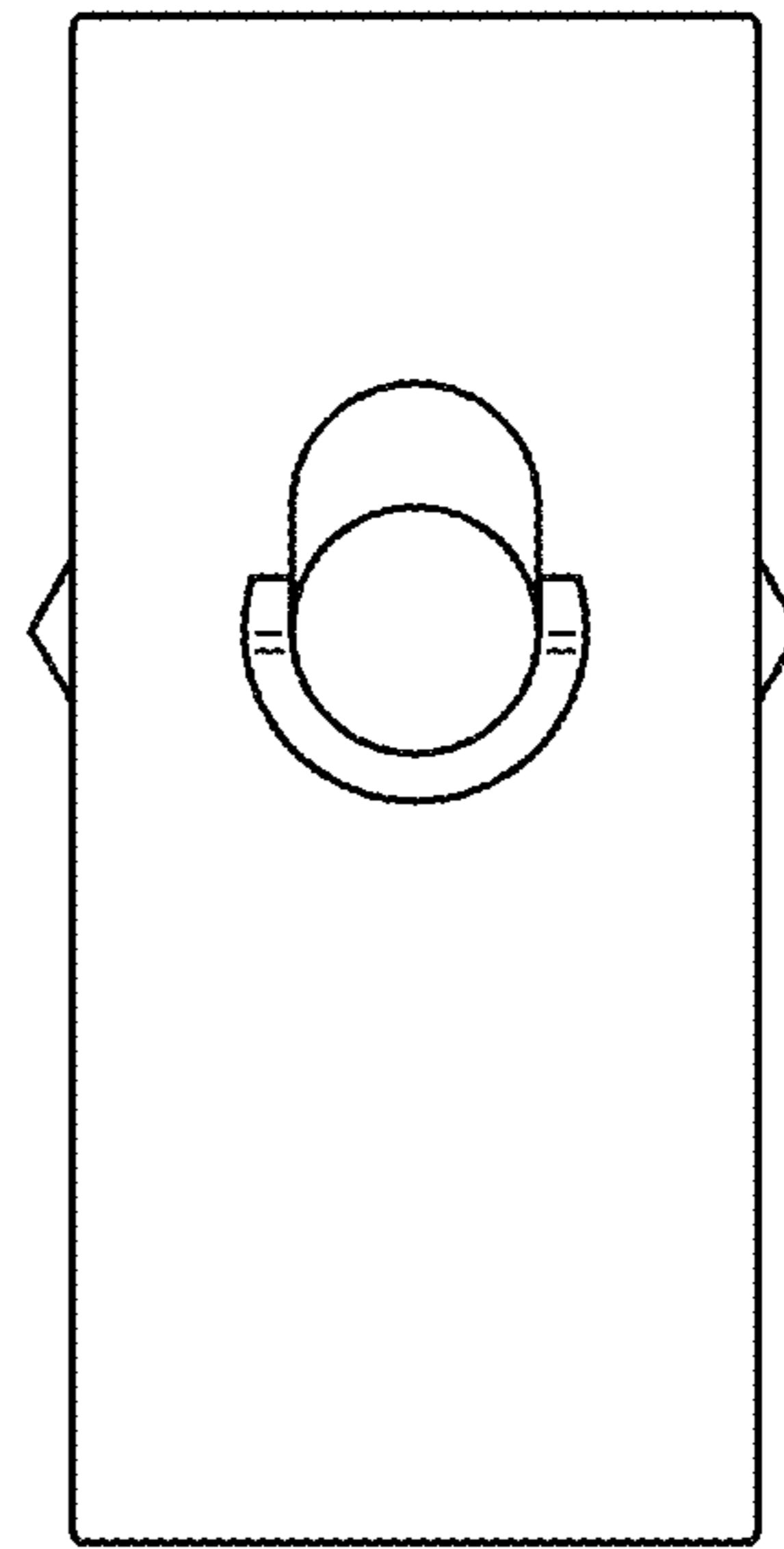


FIG. 8

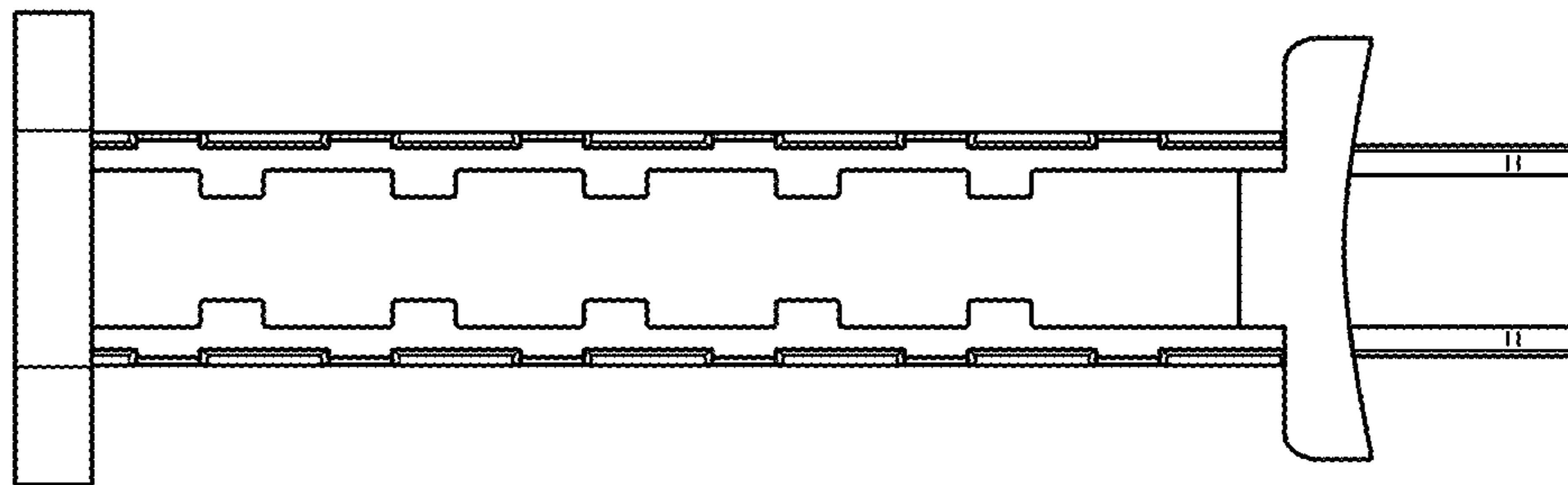


FIG. 9

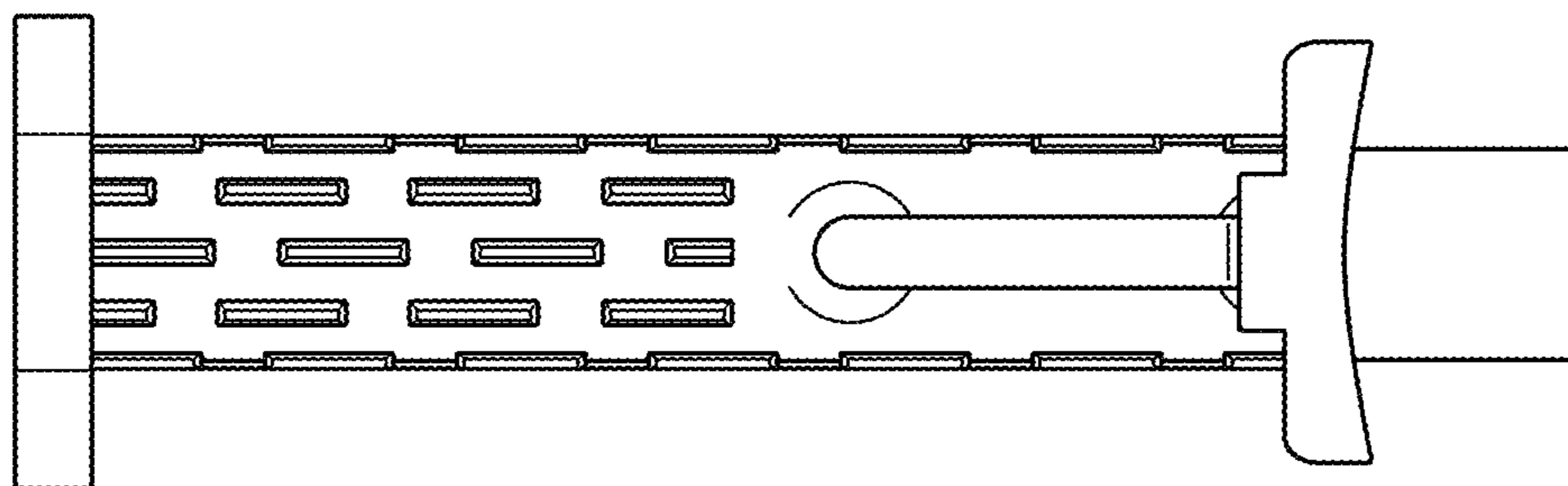


FIG. 10

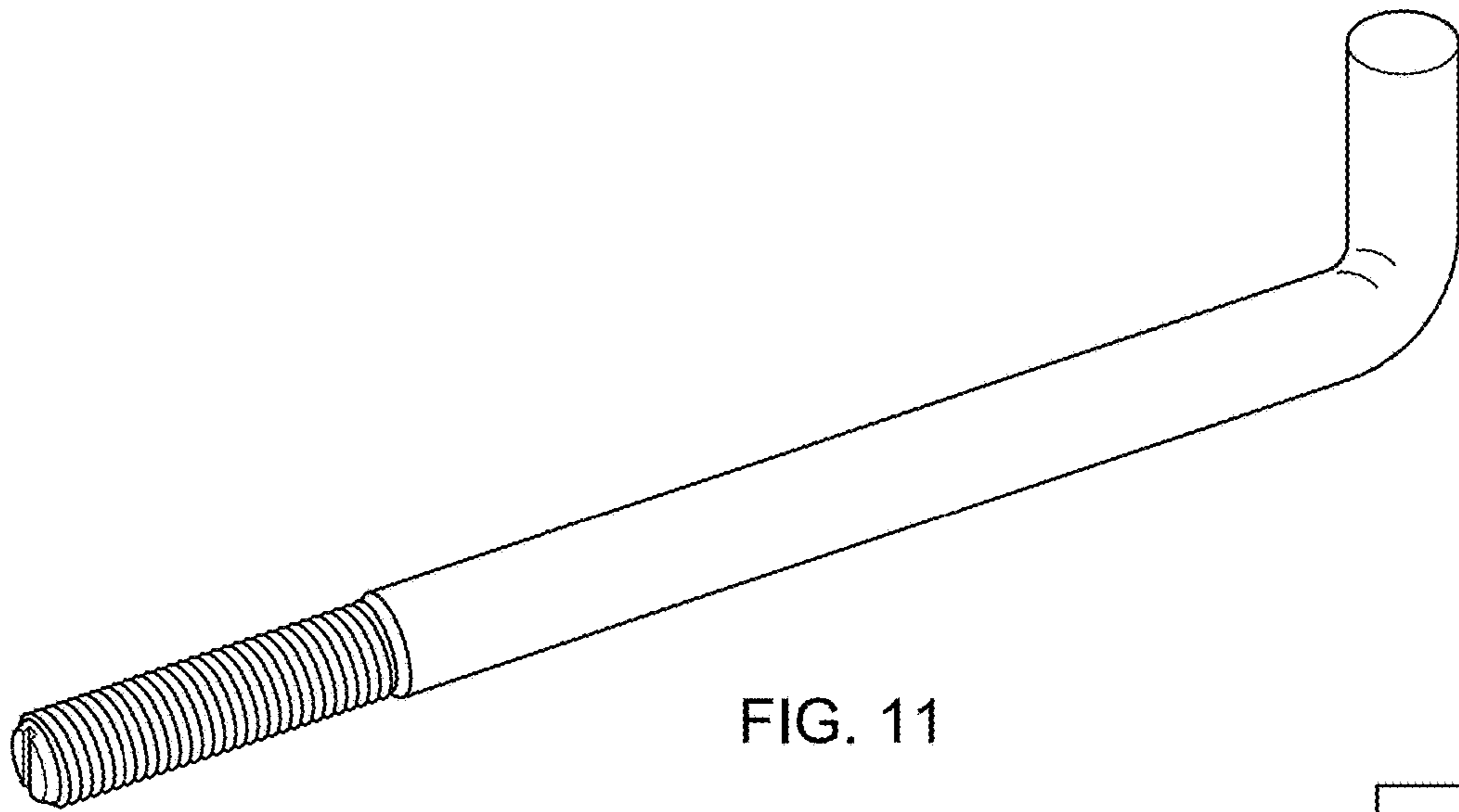


FIG. 11

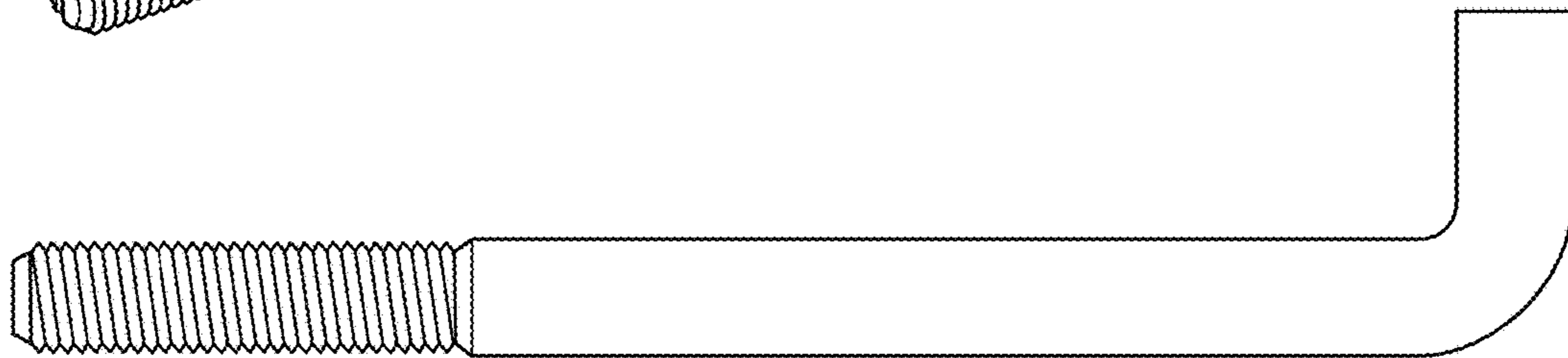


FIG. 12



FIG. 13



FIG. 14

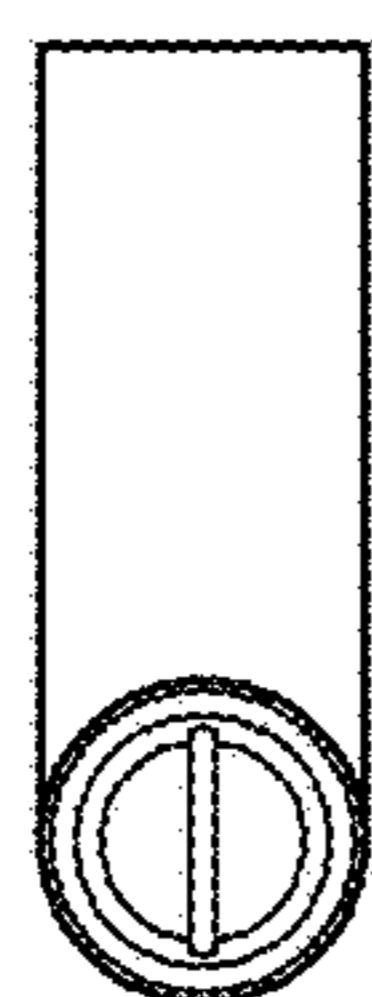


FIG. 15

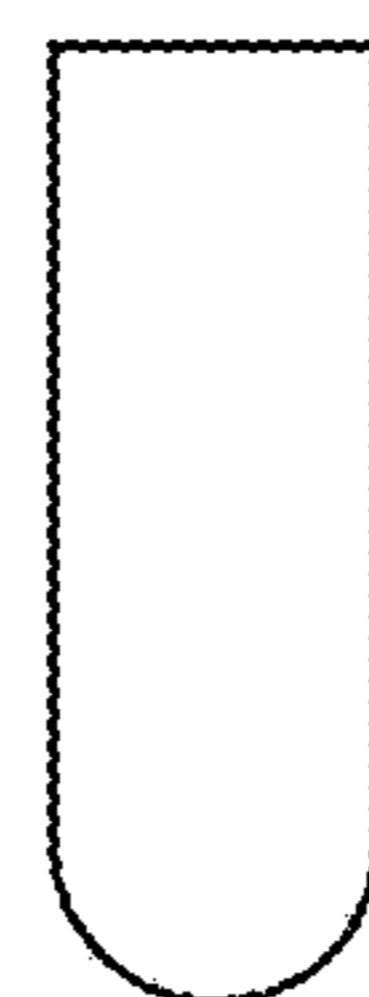


FIG. 16