



US00D828923S

(12) **United States Design Patent** (10) **Patent No.:** **US D828,923 S**
Lanternari et al. (45) **Date of Patent:** **** *Sep. 18, 2018**

(54) **BABY BOTTLE**
(71) Applicants: **Ayal Lanternari**, Atlit (IL); **Asaf Kehat**, Haifa (IL)
(72) Inventors: **Ayal Lanternari**, Atlit (IL); **Asaf Kehat**, Haifa (IL)
(*) Notice: This patent is subject to a terminal disclaimer.

D599,481 S * 9/2009 Drummond D24/197
D627,599 S * 11/2010 Richau et al. D7/510
D635,683 S * 4/2011 Shaikh et al. D24/196
D636,885 S * 4/2011 Py et al. D24/197
D638,120 S * 5/2011 Schultz D24/127
D641,631 S * 7/2011 Kawahara et al. D9/503
D674,103 S * 1/2013 Smith D24/197
D678,598 S * 3/2013 Wu et al. D26/120
D713,722 S * 9/2014 Miller D9/436
2008/0314776 A1* 12/2008 Cooke 206/223

(**) Term: **14 Years**
(21) Appl. No.: **29/498,999**
(22) Filed: **Aug. 11, 2014**

OTHER PUBLICATIONS

“Death Star Slurpee: Use the Spoonstraw, Luke!” technabob.com. Web. Mar. 14, 2013.*

* cited by examiner

(30) **Foreign Application Priority Data**
Feb. 10, 2014 (IT) 002401521-0001
(51) **LOC (11) Cl.** **07-01**
(52) **U.S. Cl.** **D24/197**
USPC
(58) **Field of Classification Search**
USPC D24/127, 128, 129, 193, 194, 195, 196, D24/197, 198, 199, 207; D9/444, 447, D9/452, 516, 608, 668, 719, 761; 220/227, 235, 694, 703, 714, 727, 745; 215/11.1, 11.2, 11.3, 11.4, 11.5, 11.6, 41; D7/392, 510, 511; 606/236
CPC A61J 9/00; A61J 11/001; A61J 11/0035
See application file for complete search history.

Primary Examiner — George D Kirschbaum
Assistant Examiner — Kendra Leslie Hamilton
(74) *Attorney, Agent, or Firm* — Guy Levi; The IP Law Firm of Guy Levi, LLC

(57) **CLAIM**

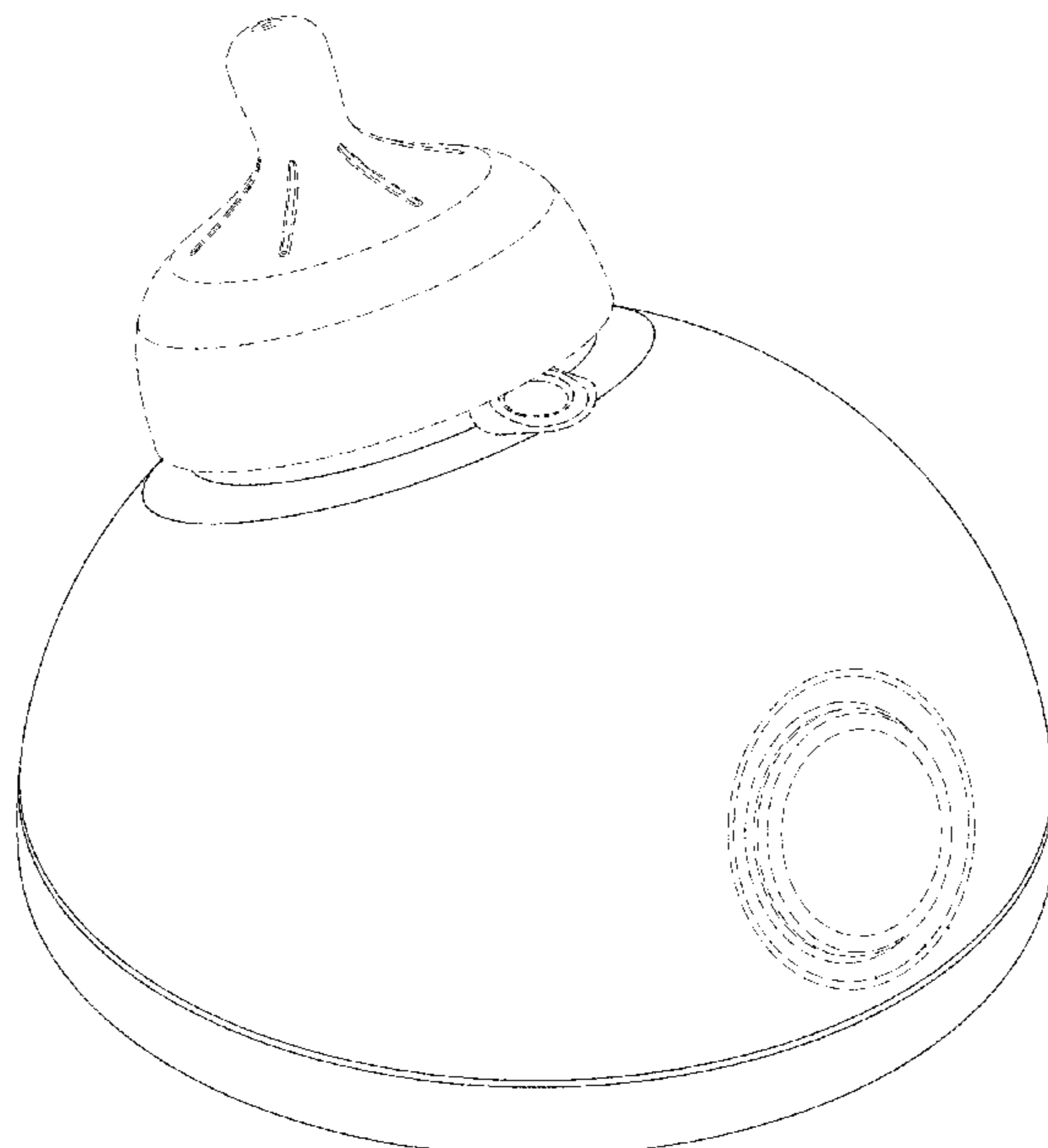
The ornamental design for a baby bottle, as shown and described.

DESCRIPTION

FIG. 1 is a perspective view of a baby bottle.
FIG. 2 is a front elevation view of the baby bottle thereof.
FIG. 3 is a rear elevation view thereof.
FIG. 4 is a right side elevation view thereof.
FIG. 5 is a left side elevation view thereof.
FIG. 6 is a top elevation view thereof; and,
FIG. 7 is a bottom plan view thereof.
In the drawings, the broken lines are for the purpose of illustrating environment only and form no part of the claimed design.

(56) **References Cited**
U.S. PATENT DOCUMENTS
D96,628 S * 8/1935 Shapiro D7/397
D448,244 S * 9/2001 Thomas D7/510
D523,333 S * 6/2006 Moretti D9/444

1 Claim, 7 Drawing Sheets



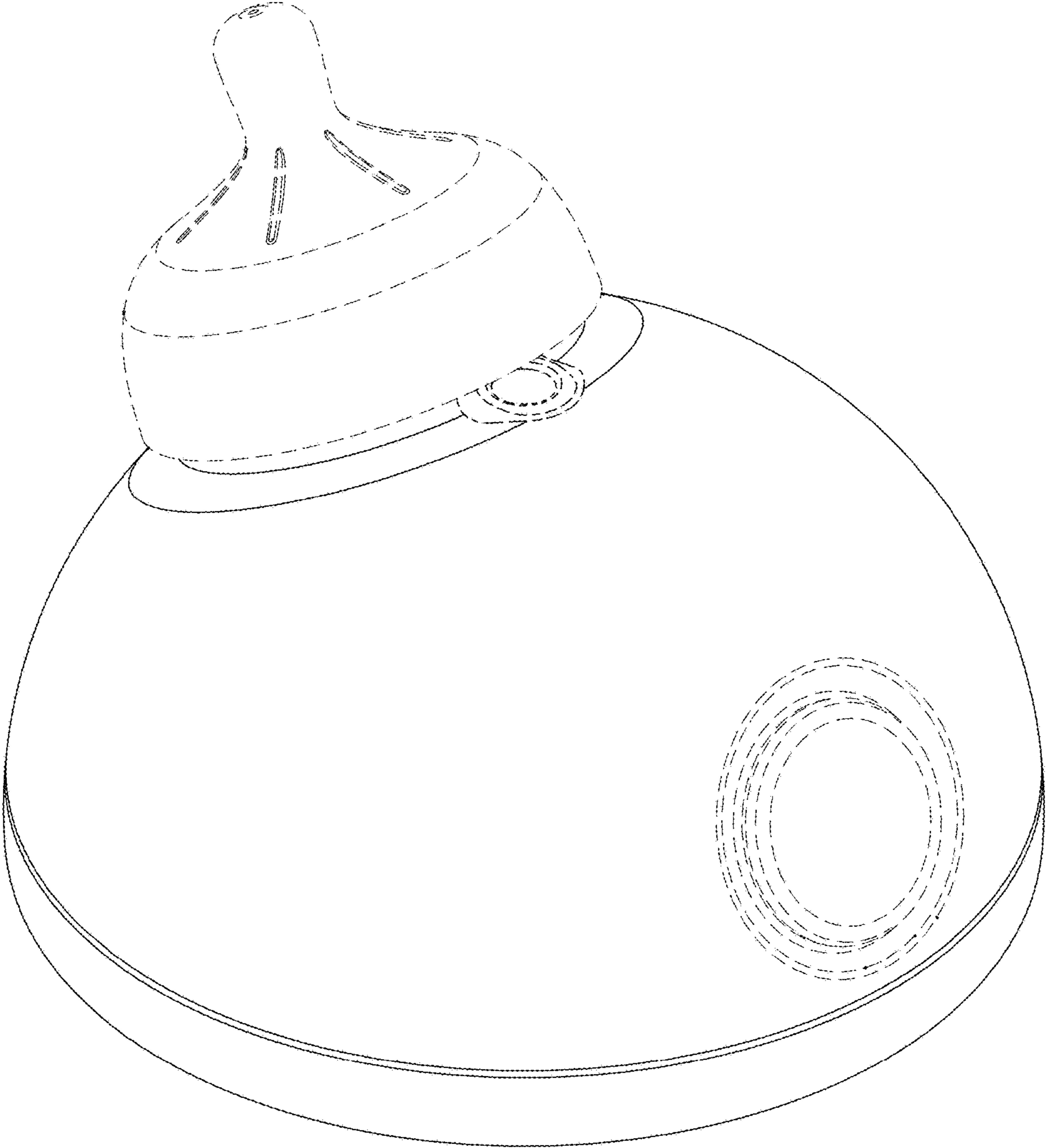


FIG.1

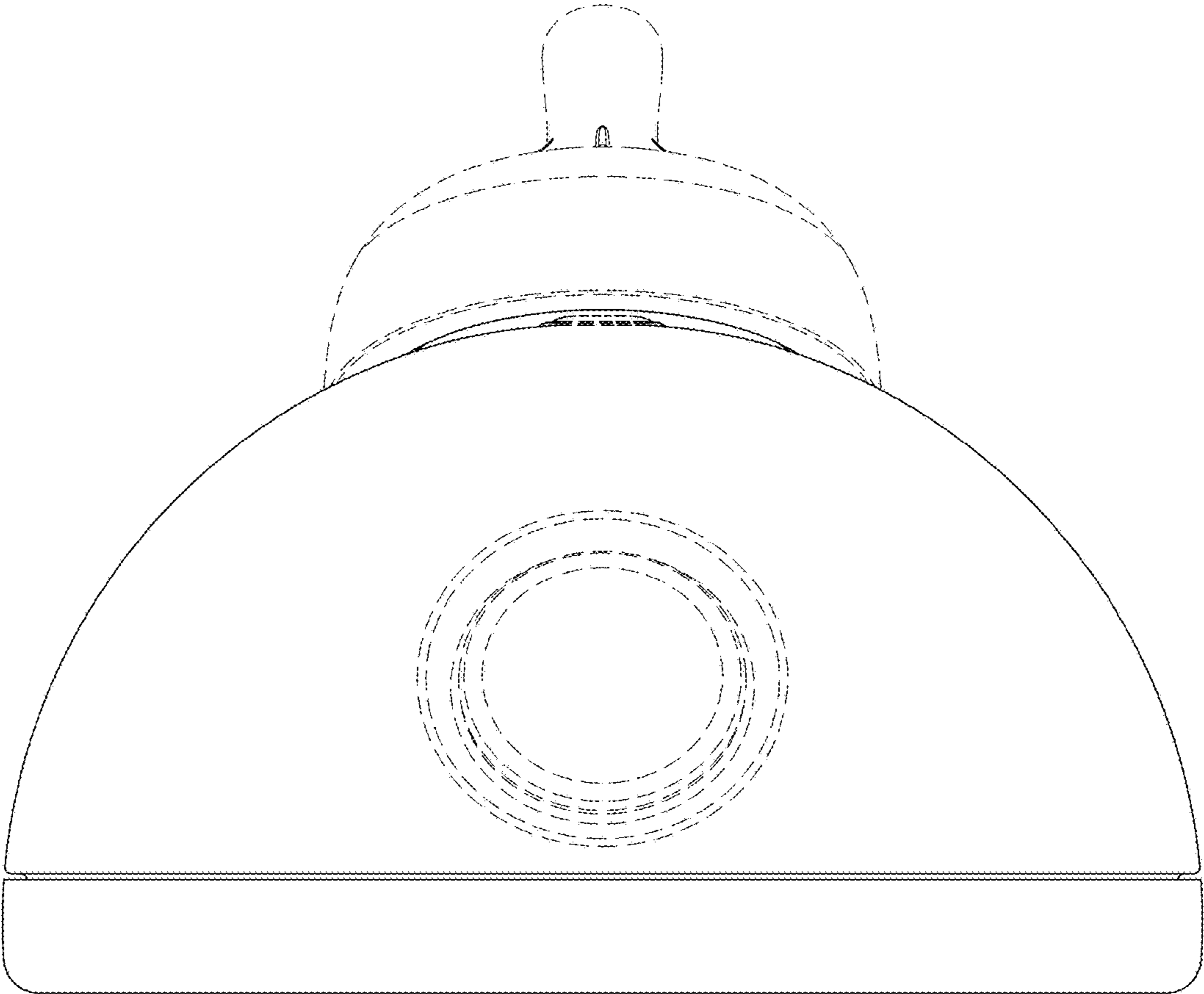


FIG.2

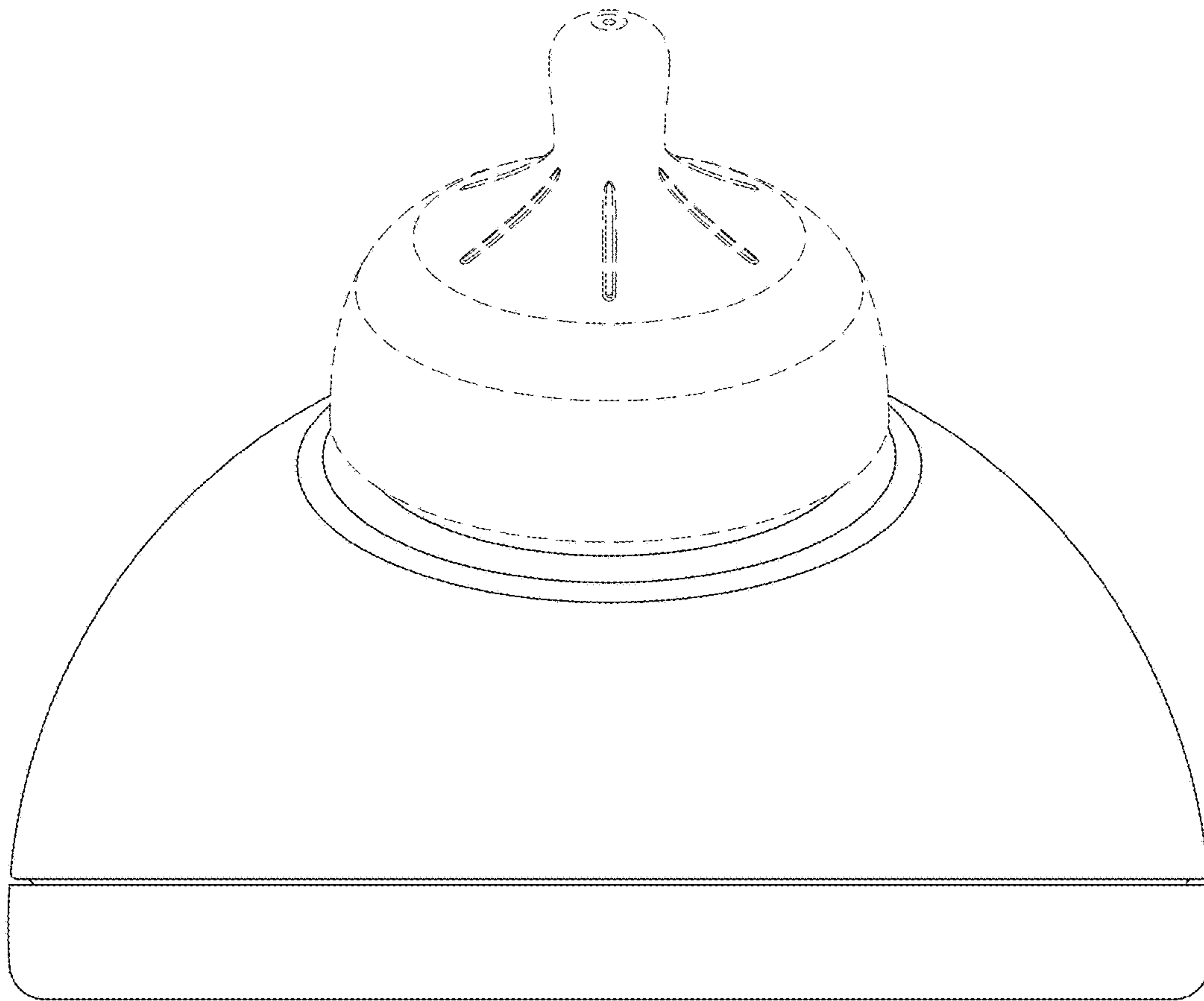


FIG.3

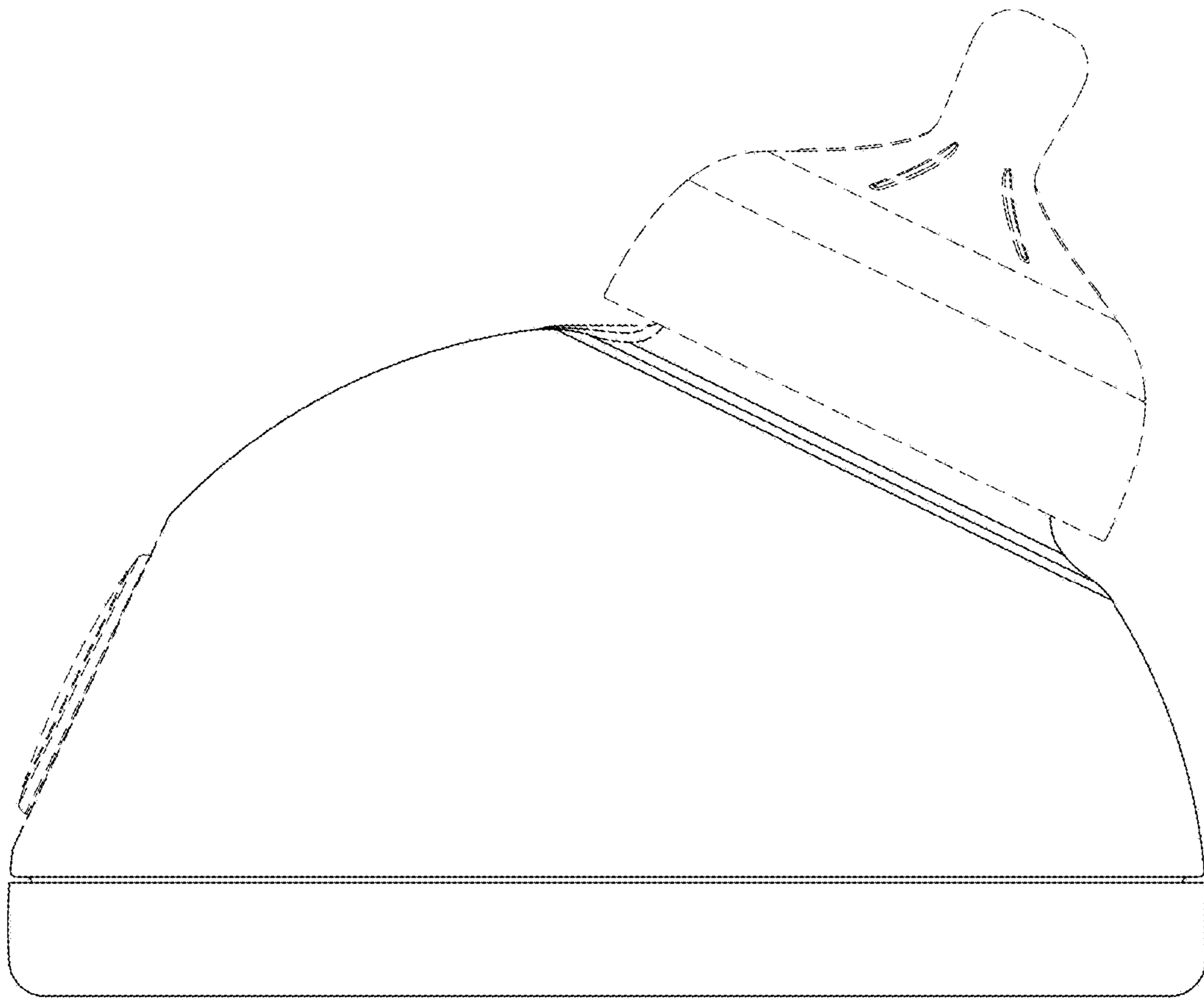


FIG. 4

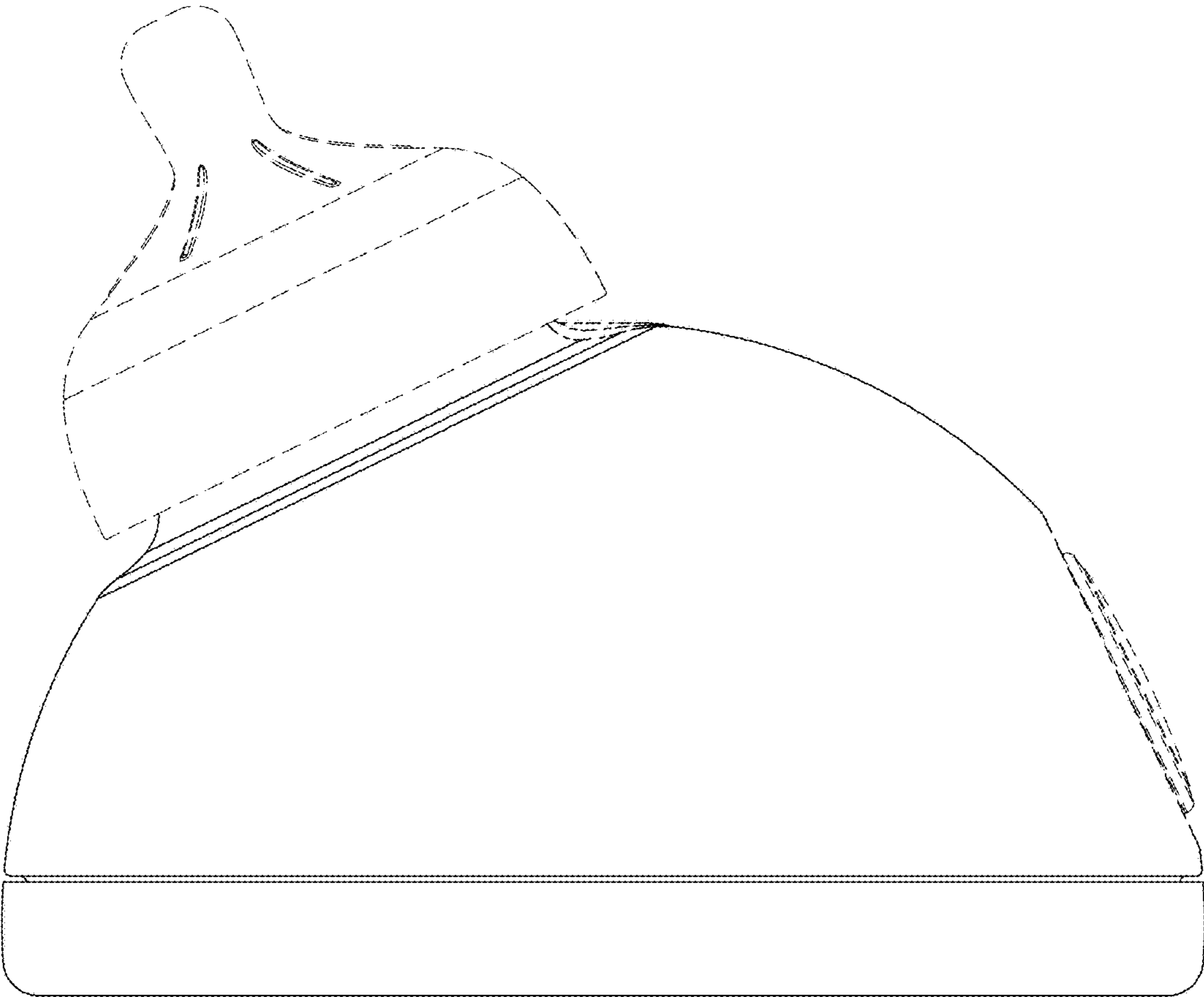


FIG. 5

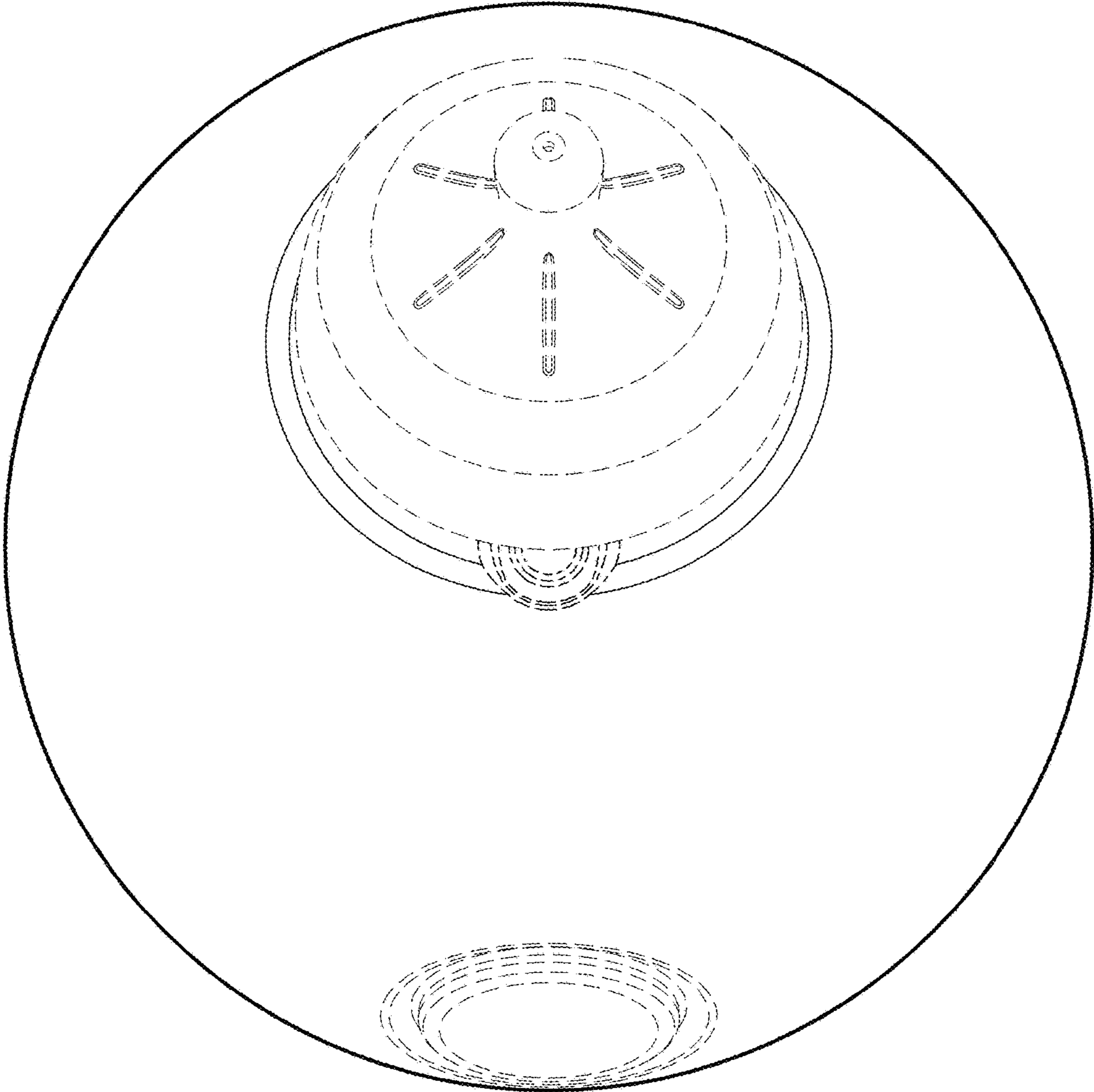


FIG.6

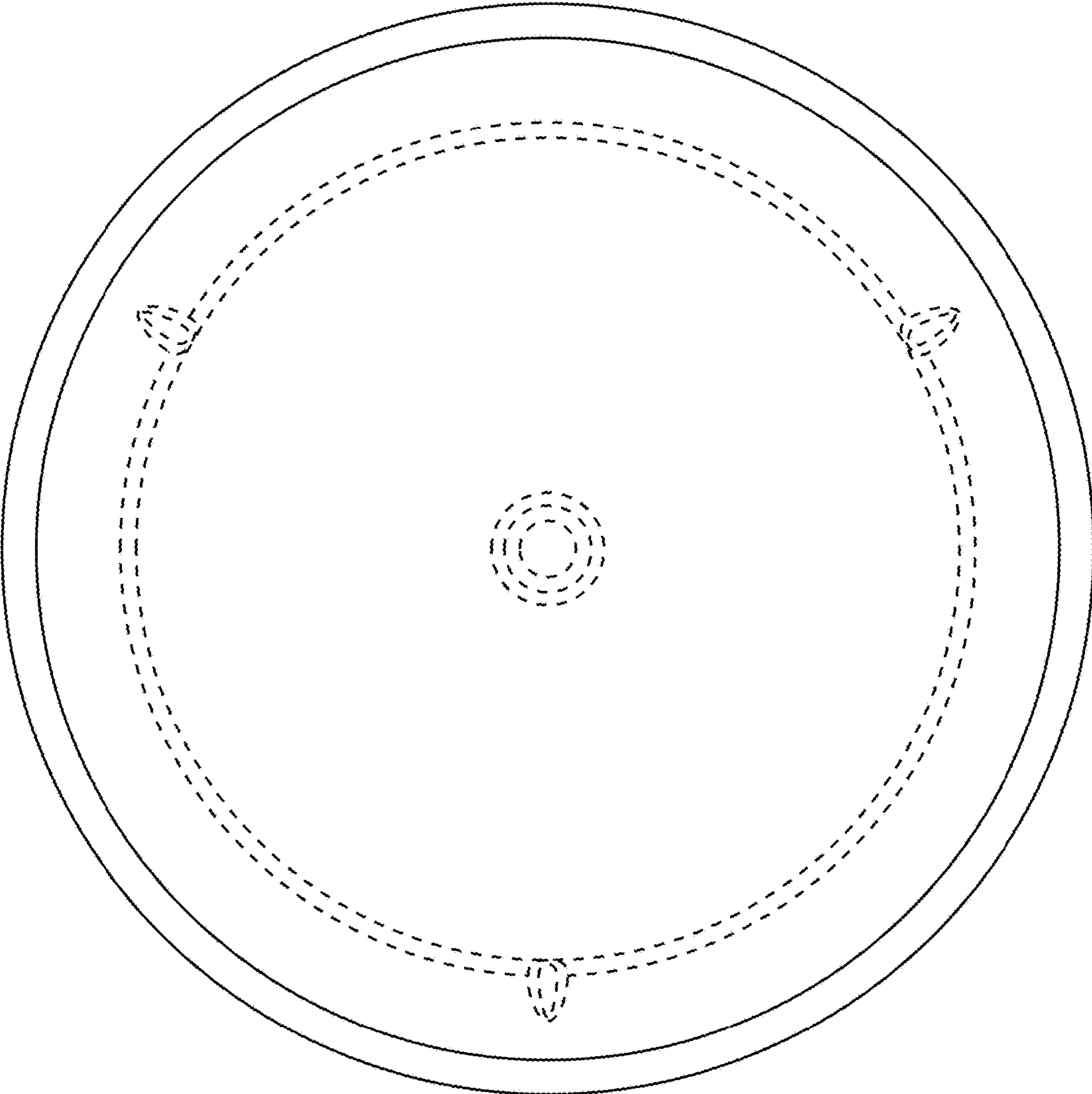


FIG. 7