



US00D828918S

(12) **United States Design Patent** (10) **Patent No.:** **US D828,918 S**  
**Eisele** (45) **Date of Patent:** **\*\* Sep. 18, 2018**

(54) **SYRINGE**  
(71) Applicant: **Henke-Sass, Wolf GmbH**, Tuttlingen (DE)  
(72) Inventor: **Melanie Eisele**, Wurmlingen (DE)  
(73) Assignee: **HENKE-SASS, WOLF GMBH**, Tuttlingen (DE)  
(\*\*) Term: **15 Years**  
(21) Appl. No.: **29/573,157**  
(22) Filed: **Aug. 3, 2016**  
(30) **Foreign Application Priority Data**  
Feb. 3, 2016 (EM) ..... 002970244  
(51) **LOC (11) Cl.** ..... **24-02**  
(52) **U.S. Cl.**  
USPC ..... **D24/113**  
(58) **Field of Classification Search**  
USPC ..... D24/112-114, 108, 133, 130, 127, 186;  
606/181, 185; 604/264, 272, 187, 181,  
604/184, 227  
CPC ..... A61M 5/178; A61M 3/00; A61M 5/20;  
A61M 5/31; A61M 5/3146; A61M  
5/3129; A61M 5/3148; A61M 5/315  
See application file for complete search history.

D660,420 S \* 5/2012 Shaw ..... D24/130  
8,240,511 B2 \* 8/2012 Greter ..... A61B 17/00491  
222/137  
D668,330 S \* 10/2012 Rueckert ..... D24/114  
8,366,679 B2 \* 2/2013 Cole ..... A61M 5/204  
604/131  
D748,243 S \* 1/2016 Perthu ..... D24/113  
D750,224 S \* 2/2016 Miyano ..... D24/113  
D760,382 S \* 6/2016 Eisele ..... D24/113  
D768,848 S \* 10/2016 Cooper ..... D24/113

**OTHER PUBLICATIONS**

Henke Sass Wolf Vet-line Catalog, Jul. 2011 (26 pgs.).

\* cited by examiner

*Primary Examiner* — David Muller  
(74) *Attorney, Agent, or Firm* — Christensen, Fonder,  
Dardi & Herbert PLLC

(57) **CLAIM**

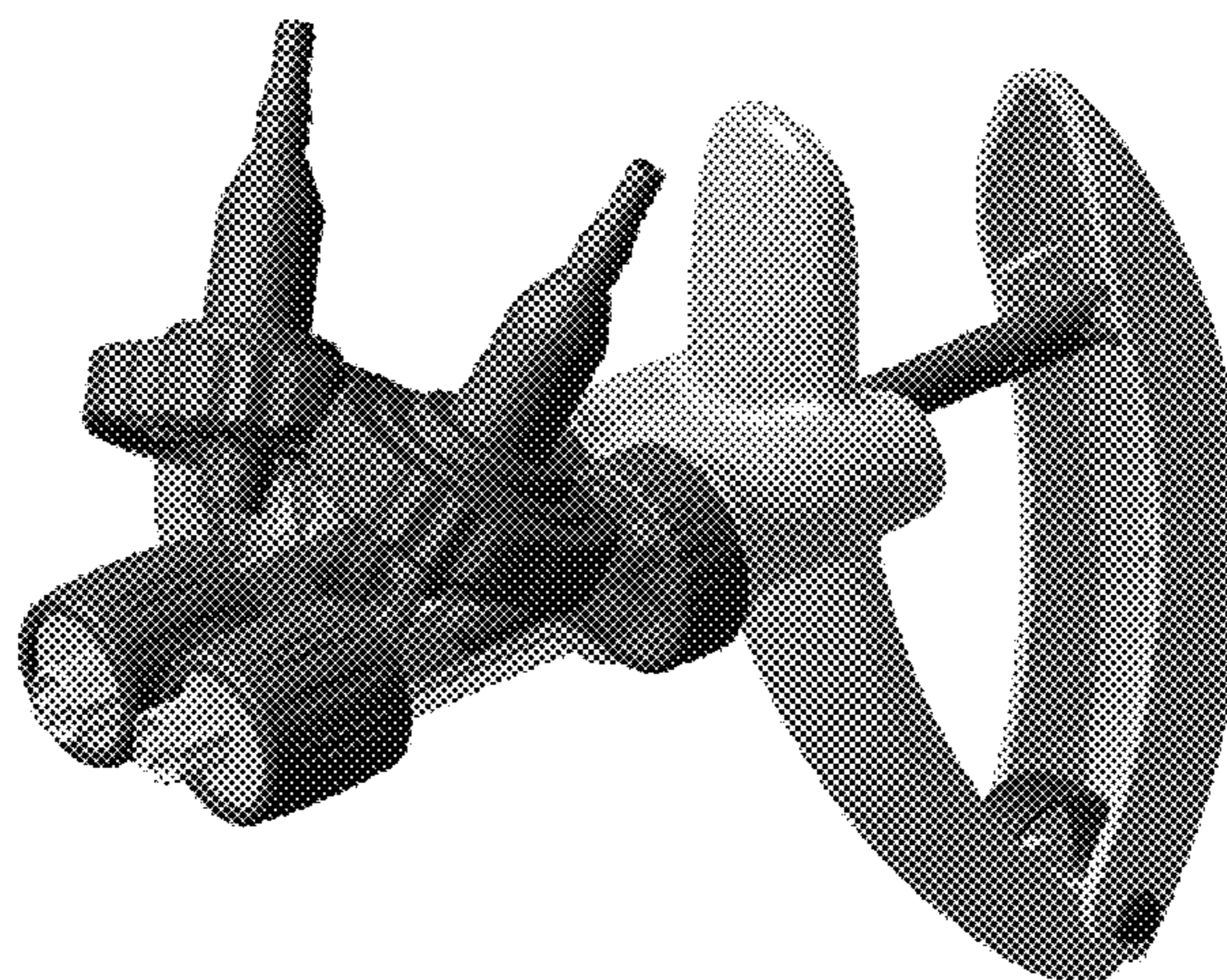
I claim the ornamental design for syringe, as shown and described.

**DESCRIPTION**

FIG. 1 is a top perspective view of a syringe according to an embodiment of the disclosure.  
FIG. 2 is a left view of the syringe according to the embodiment of the disclosure.  
FIG. 3 is a right view of the syringe according to the embodiment of the disclosure.  
FIG. 4 is a front view of the syringe according to the embodiment of the disclosure.  
FIG. 5 is a rear view of the syringe according to the embodiment of the disclosure.  
FIG. 6 is a top plan view of the syringe according to the embodiment of the disclosure; and,  
FIG. 7 is a bottom plan view of the syringe according to the embodiment of the disclosure.

**1 Claim, 7 Drawing Sheets**

(56) **References Cited**  
**U.S. PATENT DOCUMENTS**  
D450,120 S \* 11/2001 Adler ..... D24/133  
D460,174 S \* 7/2002 Gallagher ..... D24/113  
D497,204 S 10/2004 Von Amende et al.  
D536,446 S \* 2/2007 Doll ..... D24/133  
D575,865 S 8/2008 Keuffel et al.  
D608,886 S 1/2010 Rueckert et al.  
D651,311 S \* 12/2011 Triplett ..... D24/133  
D654,587 S \* 2/2012 Bacher ..... D24/133



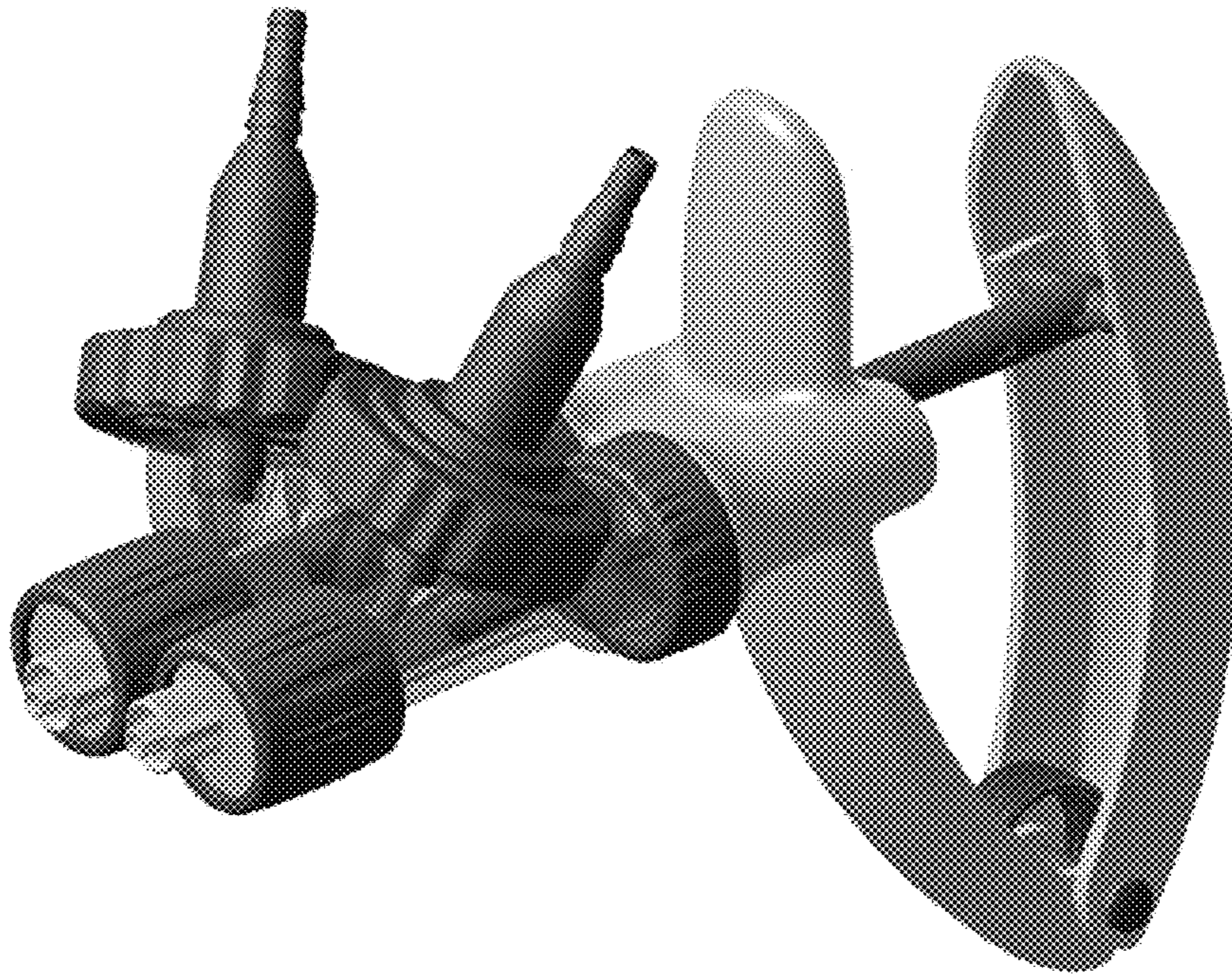


FIG. 1

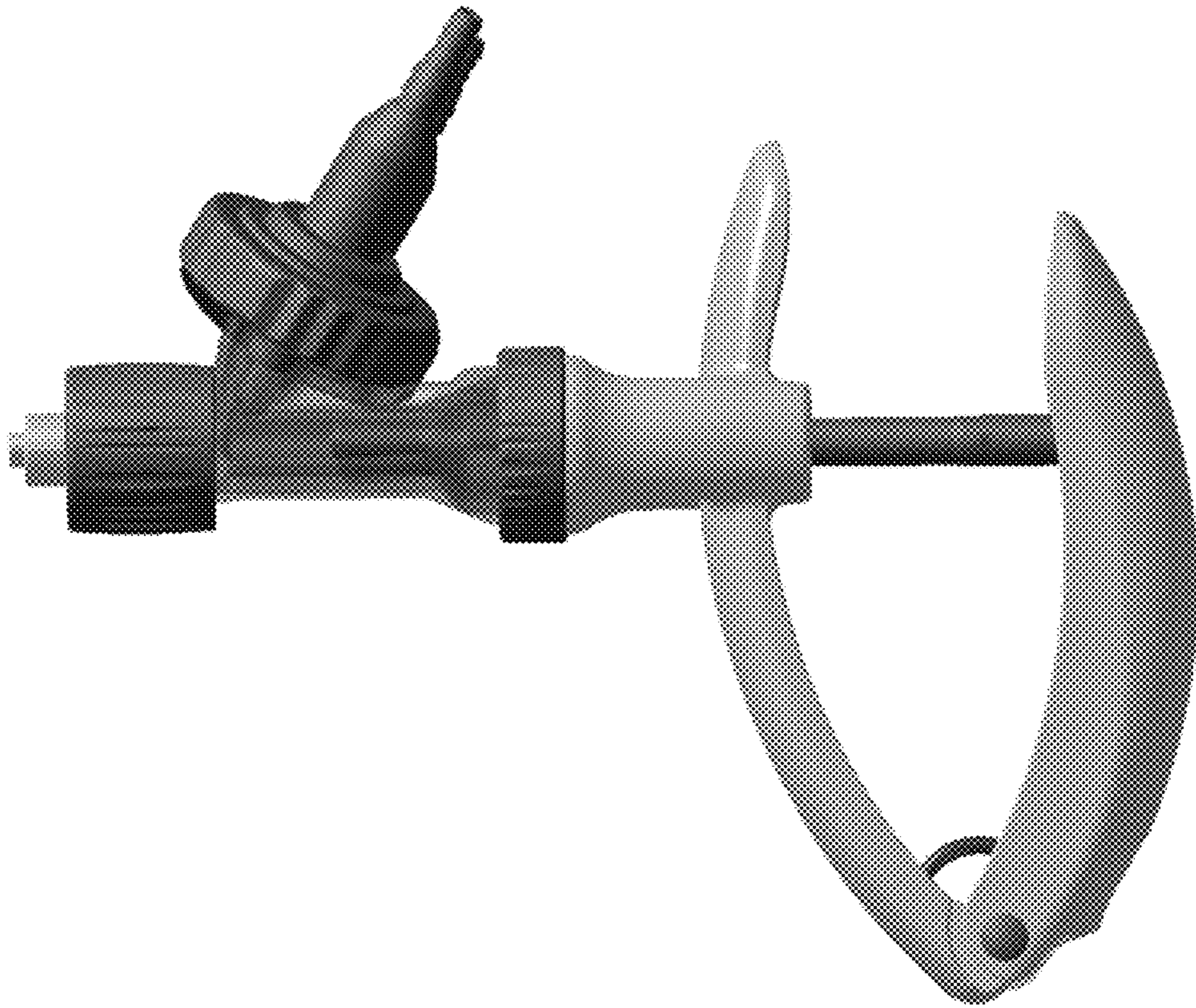


FIG. 2

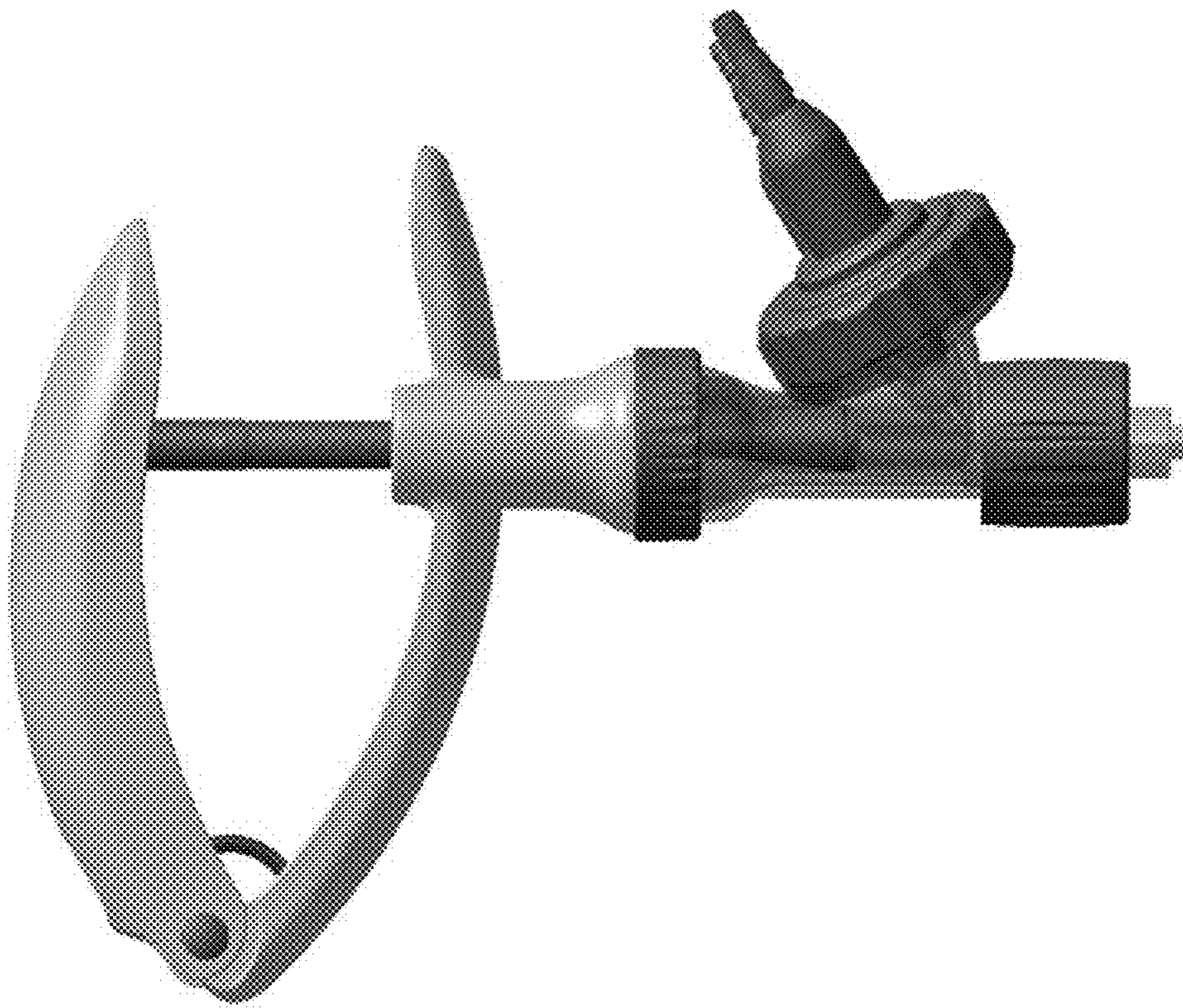


FIG. 3

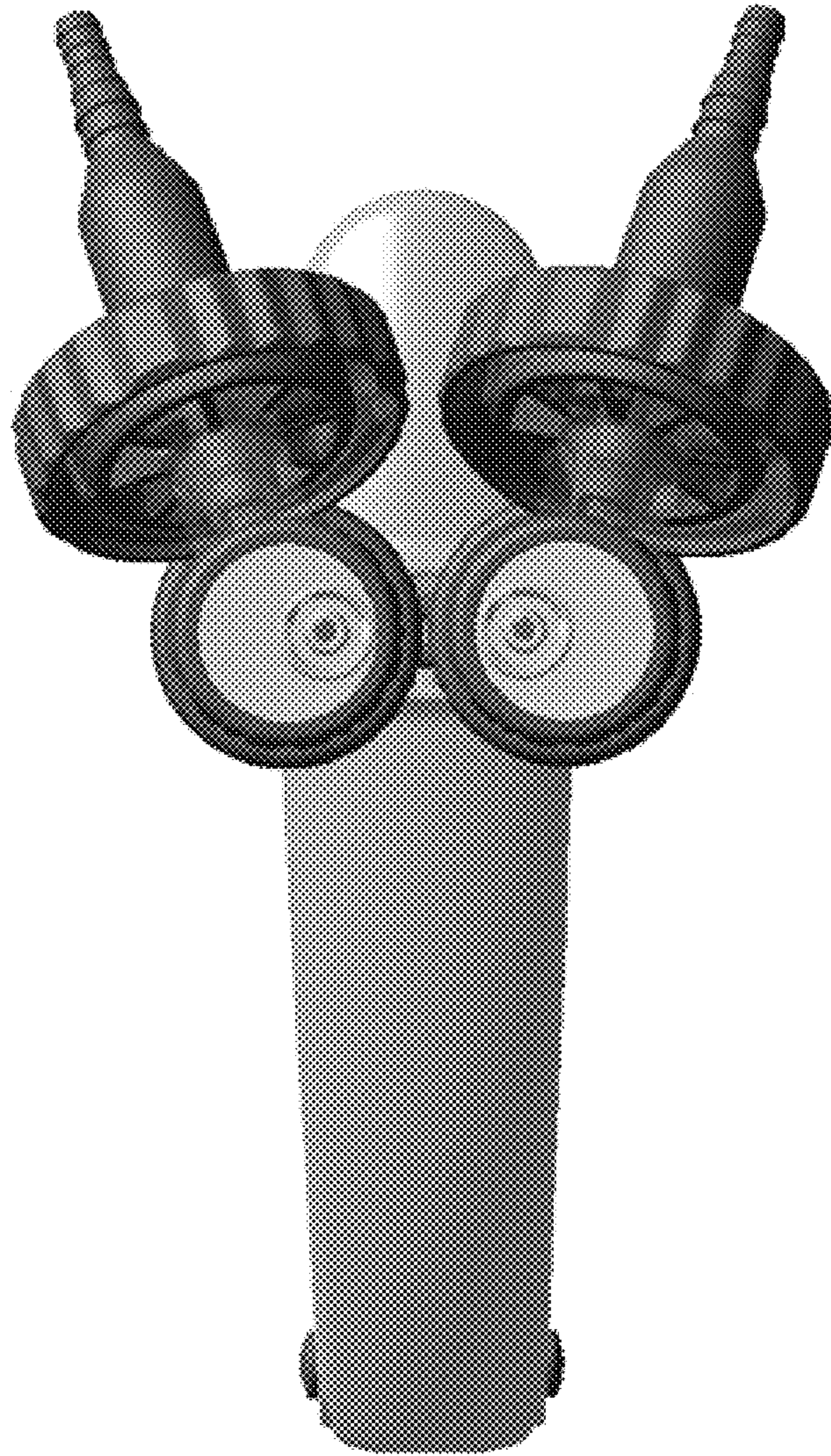


FIG. 4

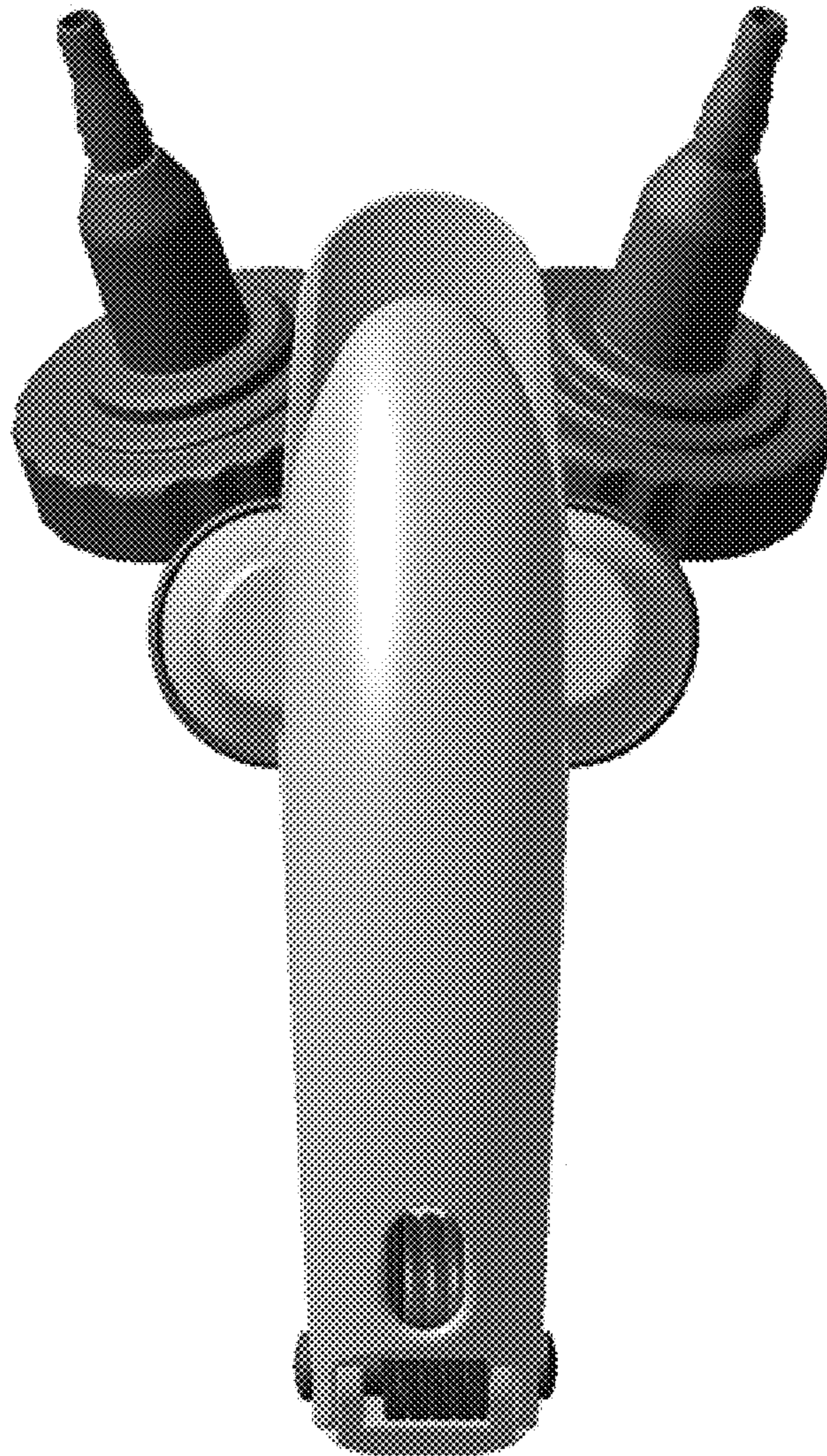


FIG. 5

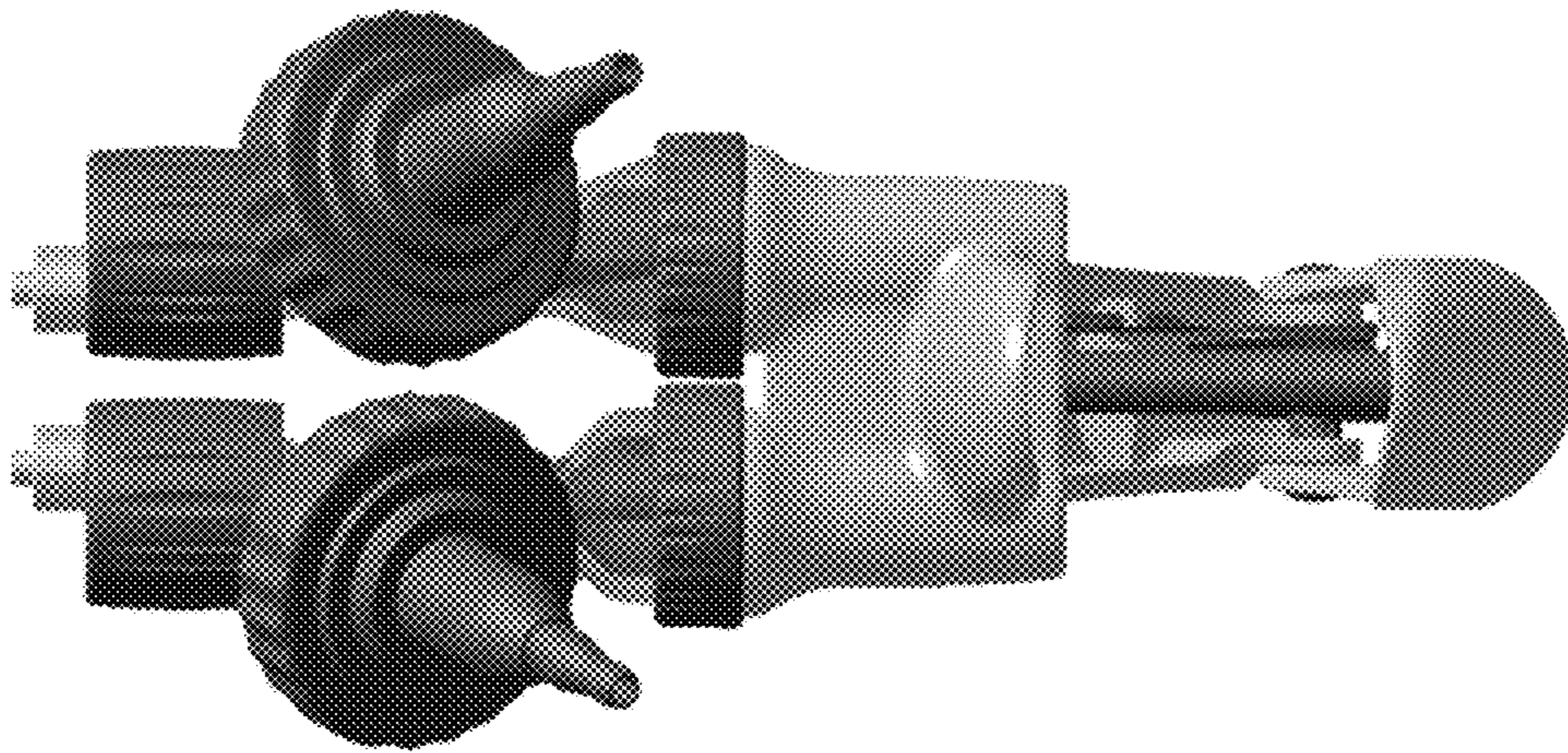


FIG. 6

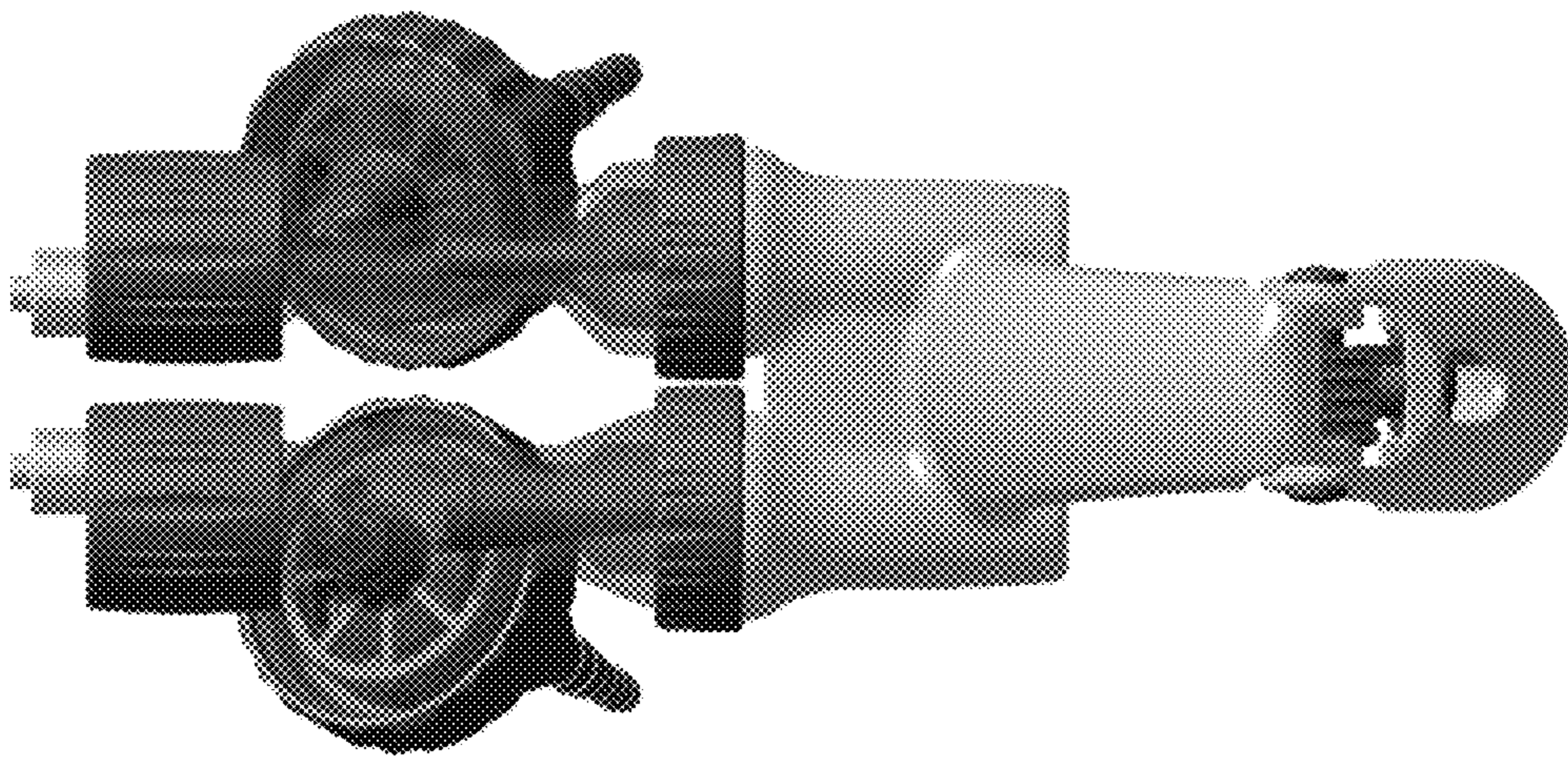


FIG. 7