



US00D828917S

(12) **United States Design Patent**  
**Prentice et al.**

(10) **Patent No.:** **US D828,917 S**

(45) **Date of Patent:** **\*\* Sep. 18, 2018**

(54) **VENT DIFFUSER**

(71) Applicant: **Fisher & Paykel Healthcare Limited,**  
Auckland (NZ)

(72) Inventors: **Craig Robert Prentice,** Auckland (NZ);  
**Bernard Tsz Lun Ip,** Auckland (NZ);  
**Mark Arvind McLaren,** Auckland  
(NZ); **Kyle Gregory Brown,** Auckland  
(NZ); **Chris Onin Limpin Hipolito,**  
Auckland (NZ); **Mark Richard**  
**Tomlinson,** Auckland (NZ); **Melissa**  
**Catherine Bornholdt,** Auckland (NZ)

(73) Assignee: **FISHER & PAYKEL HEALTHCARE**  
**LIMITED,** Auckland (NZ)

(\*\*) Term: **15 Years**

(21) Appl. No.: **29/540,675**

(22) Filed: **Sep. 25, 2015**

(51) **LOC (11) Cl.** ..... **29-02**

(52) **U.S. Cl.**  
USPC ..... **D24/110.4**

(58) **Field of Classification Search**  
USPC ..... D23/388; D24/110, 110.1, 110.2, 110.3,  
D24/110.4, 110.5, 127, 164  
CPC ..... A61M 16/0683; A61M 16/0605; A61M  
16/0622; A61M 16/06; A61M 16/0616;  
A61M 16/0661; A61M 16/0633; A61M  
16/0644; A61M 16/0816; A61M 16/08;  
A61M 16/0666; A61M 2210/0618  
See application file for complete search history.

(56) **References Cited**

**U.S. PATENT DOCUMENTS**

4,522,639 A \* 6/1985 Ansite ..... B01D 46/00  
128/201.25  
4,630,604 A \* 12/1986 Montesi ..... A62B 18/025  
128/206.15

D383,204 S 9/1997 Lomas et al.  
D476,407 S \* 6/2003 Snyder ..... D23/388  
6,631,718 B1 10/2003 Lovell et al.  
6,691,707 B1 2/2004 Gunaratnam et al.  
6,817,362 B2 \* 11/2004 Gelinis ..... A62B 18/025  
128/206.12  
D504,947 S \* 5/2005 McAuley ..... D24/110  
D539,901 S 4/2007 McAuliffe et al.  
7,290,546 B2 11/2007 Sprinkle et al.  
D556,899 S 12/2007 Veliss et al.  
D579,105 S 10/2008 Jones et al.

(Continued)

**OTHER PUBLICATIONS**

S-1225, image post date Jul. 30, 2017, site visited Nov. 24, 2017,  
(online), <[https://www.tineye.com/search/5a303183b2900291d1429fe660f391f2c1a0f159/?sort=crawl\\_date&order=asc](https://www.tineye.com/search/5a303183b2900291d1429fe660f391f2c1a0f159/?sort=crawl_date&order=asc)>.\*

(Continued)

*Primary Examiner* — Kevin Rudzinski

*Assistant Examiner* — Sean D Lough

(74) *Attorney, Agent, or Firm* — Knobbe, Martens, Olson  
and Bear, LLP

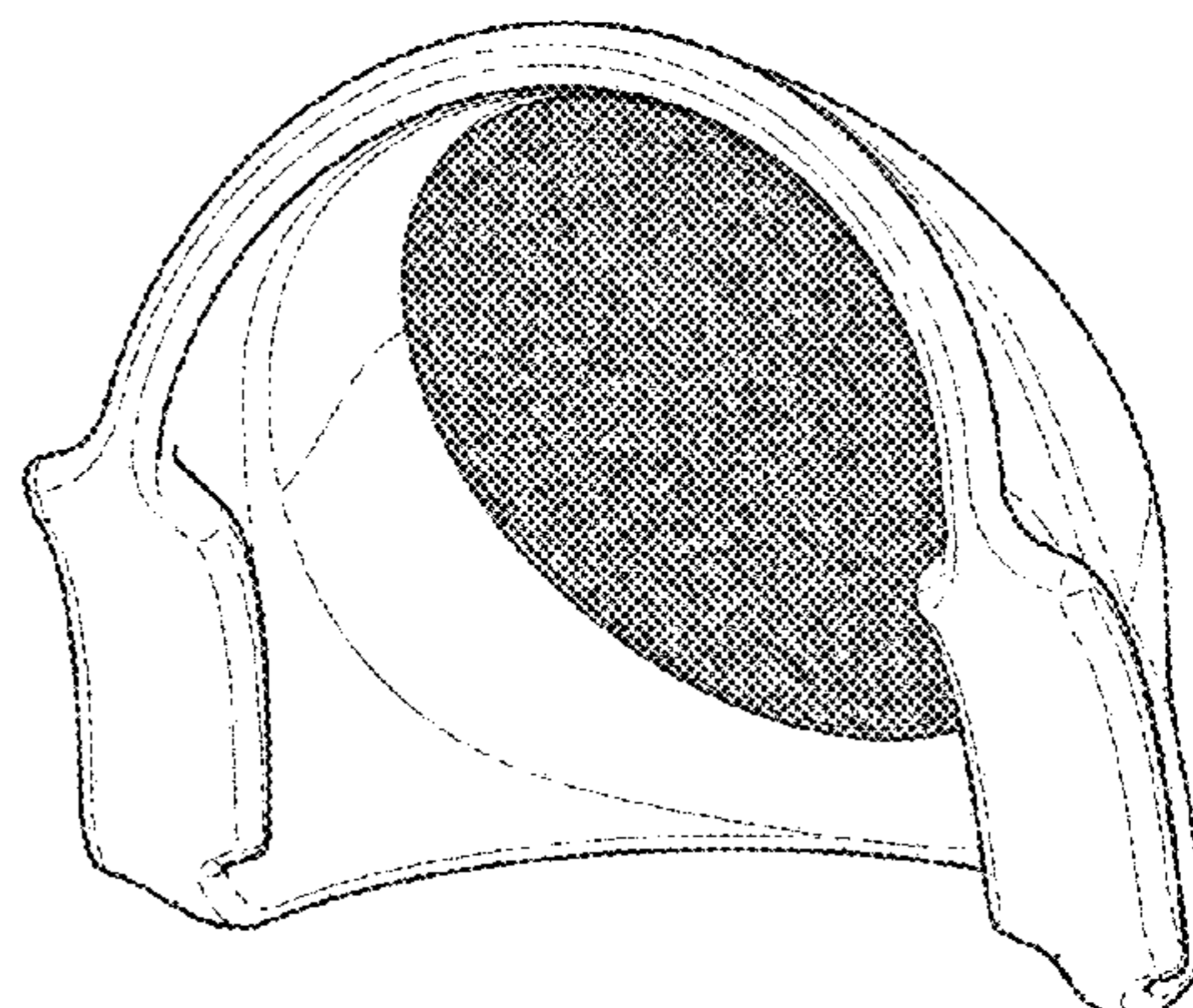
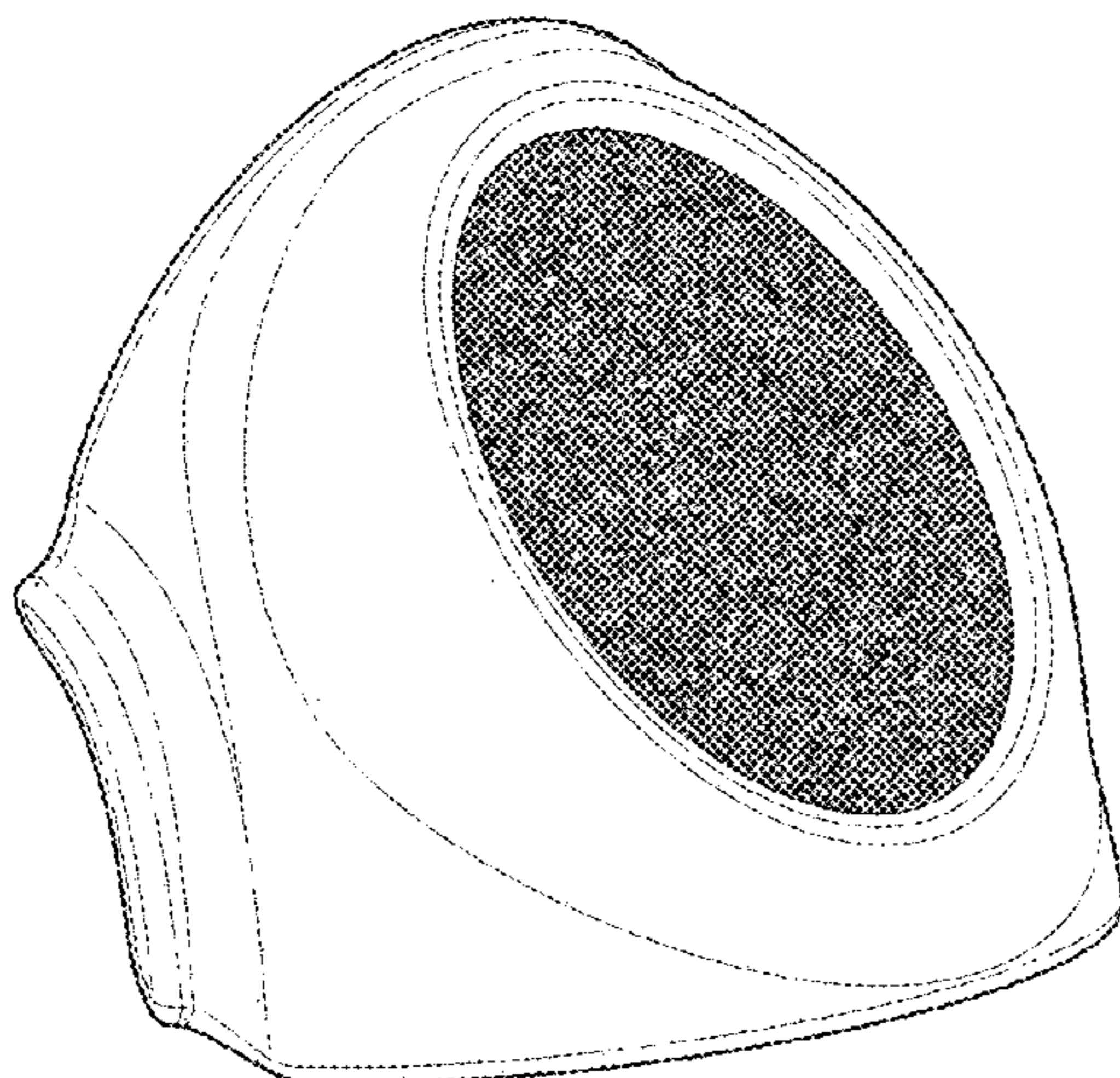
(57) **CLAIM**

The ornamental design for a vent diffuser, as shown and  
described.

**DESCRIPTION**

FIG. 1 is a top, front and side perspective view of a vent  
diffuser embodying our new design;  
FIG. 2 is a top, rear and side perspective view thereof;  
FIG. 3 is a front view thereof;  
FIG. 4 is a rear view thereof;  
FIG. 5 is a first side view thereof;  
FIG. 6 is a second side view thereof;  
FIG. 7 is a top view thereof; and,  
FIG. 8 is a bottom view thereof.

**1 Claim, 8 Drawing Sheets**



(56)

References Cited

U.S. PATENT DOCUMENTS

D597,202 S 7/2009 Reid et al.  
D619,449 S \* 7/2010 Smith ..... D8/382  
7,793,987 B1 9/2010 Busch et al.  
D637,283 S 5/2011 Selvarajan et al.  
D651,304 S 12/2011 Edwards et al.  
D656,231 S 3/2012 Henry et al.  
D673,245 S \* 12/2012 Cooney ..... D23/260  
D679,376 S 4/2013 Von Hollen et al.  
D679,377 S 4/2013 Von Hollen et al.  
D679,378 S 4/2013 Von Hollen et al.  
D683,447 S 5/2013 Olsen et al.  
D691,257 S \* 10/2013 Siew ..... D24/110.1  
D692,554 S 10/2013 Siew et al.  
D693,459 S 11/2013 Prentice  
D695,887 S 12/2013 Ozolins et al.  
D696,767 S 12/2013 Scheiner et al.  
D697,203 S 1/2014 Clarke et al.  
D706,413 S 6/2014 Veliss et al.  
8,789,525 B2 \* 7/2014 Snow ..... A61M 16/1075  
128/203.26  
D717,945 S 11/2014 Neff et al.  
8,950,404 B2 2/2015 Formica et al.  
D740,934 S 10/2015 Formica et al.  
9,155,855 B2 \* 10/2015 Tebbutt ..... A61M 16/0488  
D748,242 S 1/2016 Campbell et al.  
D751,188 S 3/2016 Skipper et al.  
D752,199 S \* 3/2016 Berkman ..... D23/370  
D753,813 S 4/2016 Ozolins et al.  
D754,328 S 4/2016 Bowsher  
D757,252 S 5/2016 Von Moger et al.  
D758,564 S 6/2016 Eves et al.  
D764,049 S 8/2016 Cullen et al.  
D767,750 S \* 9/2016 Nakai ..... D23/388  
D769,440 S 10/2016 Amarasinghe et al.  
D779,652 S 2/2017 Nga et al.  
D782,030 S 3/2017 Prentice et al.  
D782,031 S 3/2017 Prentice et al.  
D782,032 S 3/2017 Prentice et al.  
D784,516 S 4/2017 Prentice et al.  
9,707,368 B2 \* 7/2017 McAuley ..... A61M 16/0816  
9,713,693 B2 7/2017 Parr et al.  
D797,921 S \* 9/2017 Huang ..... D24/110.4  
D798,439 S \* 9/2017 Siew ..... D24/110.4  
D800,895 S \* 10/2017 Prentice ..... D24/110.4  
D801,500 S \* 10/2017 Andrews ..... D23/354  
2002/0023649 A1 2/2002 Gunaratnam  
2002/0026934 A1 3/2002 Lithgow  
2003/0196659 A1 10/2003 Gradon et al.  
2004/0035428 A1 \* 2/2004 Olsen ..... A61M 16/06  
128/206.27  
2004/0083534 A1 5/2004 Ruiz  
2004/0112377 A1 6/2004 Amarasinghe  
2005/0126573 A1 \* 6/2005 Jaffre ..... A61M 16/08  
128/207.12  
2006/0124131 A1 \* 6/2006 Chandran ..... A61M 16/06  
128/206.28  
2007/0175480 A1 8/2007 Gradon et al.  
2008/0192459 A1 8/2008 Kwok et al.  
2009/0194111 A1 8/2009 Fu et al.  
2010/0000538 A1 1/2010 Edwards et al.  
2010/0031963 A1 2/2010 Lee et al.  
2010/0059058 A1 3/2010 Kuo  
2011/0146685 A1 \* 6/2011 Allan ..... A61M 16/06  
128/205.25  
2011/0197341 A1 8/2011 Formica et al.  
2011/0290253 A1 \* 12/2011 McAuley ..... A61M 16/06  
128/205.25  
2012/0204881 A1 8/2012 Davidson et al.  
2012/0234326 A1 9/2012 Mazzone et al.  
2012/0305001 A1 12/2012 Tatkov et al.  
2013/0152937 A1 6/2013 Jablonski et al.  
2013/0152938 A1 6/2013 Jablonski et al.  
2013/0239972 A1 9/2013 McAuley et al.  
2014/0090649 A1 4/2014 Groll et al.

2014/0096774 A1 \* 4/2014 Olsen ..... A61M 16/06  
128/205.25  
2014/0174446 A1 6/2014 Prentice  
2014/0216460 A1 \* 8/2014 Bothma ..... A61M 16/0066  
128/204.18  
2014/0236041 A1 \* 8/2014 Gulliver ..... F16L 3/12  
600/549  
2014/0261427 A1 9/2014 Foote  
2014/0305433 A1 10/2014 Rothermel  
2014/0326246 A1 11/2014 Chodkowski et al.  
2014/0366882 A1 12/2014 Ng et al.  
2015/0000671 A1 1/2015 Frerichs et al.  
2015/0174354 A1 6/2015 Matula, Jr. et al.  
2015/0174355 A1 6/2015 Willard  
2015/0202397 A1 7/2015 Pastoor et al.  
2015/0202402 A1 \* 7/2015 Kat ..... A61M 16/16  
128/203.27  
2015/0209540 A1 7/2015 Hendricks et al.  
2015/0246200 A1 9/2015 Neff, Jr. et al.  
2015/0306320 A1 10/2015 Markus  
2015/0328422 A1 11/2015 Chodkowski  
2015/0367092 A1 12/2015 Goff et al.  
2016/0008558 A1 1/2016 Huddart et al.  
2016/0067441 A1 \* 3/2016 Bearne ..... A61M 16/0683  
128/205.25  
2016/0067442 A1 3/2016 Salmon et al.  
2016/0082218 A1 3/2016 Lau et al.  
2016/0121067 A1 5/2016 VanMiddendorp et al.  
2016/0151596 A1 \* 6/2016 Slight ..... A61M 16/0622  
128/207.18  
2016/0220781 A1 8/2016 Arrowsmith et al.  
2016/0287915 A1 10/2016 Lenfeld et al.  
2016/0325067 A1 11/2016 Harwood et al.  
2016/0354572 A1 12/2016 Lim  
2017/0065786 A1 \* 3/2017 Stephenson ..... A61M 16/06  
2017/0087329 A1 \* 3/2017 Huddart ..... A61M 16/208  
2017/0232219 A1 8/2017 Dravitzki et al.  
2017/0239437 A1 \* 8/2017 Scheirlinck ..... A61M 16/0622  
2017/0246411 A1 \* 8/2017 Mashal ..... A61M 16/0605  
2017/0281894 A1 \* 10/2017 Walls ..... A61M 16/0683  
2017/0312470 A1 11/2017 Norsted  
2017/0326325 A1 \* 11/2017 Allan ..... A61M 16/0816  
2017/0333657 A1 \* 11/2017 Stephenson ..... A61M 16/065  
2017/0368288 A1 \* 12/2017 Stephens ..... A61M 16/0622

OTHER PUBLICATIONS

Direct-home-medical-parts-for-cpap-masks-bipap-masks, image post date Sep. 27, 2017, site visited Nov. 24, 2017, (online), <<https://www.tineye.com/search/58ef6f11e162268d500494d731e8e5c6c671dc48/>>.\*  
F&P Eson 2 Nasal CPAP Mask Pack with Headgear, image post date Nov. 20, 2016, site visited Nov. 24, 2017, (online), <<http://www.directhomemedical.com/eson-2-nasal-cpap-mask-fisher-paykel-healthcare.html#reviews>>.\*  
Fisher & Paykel Announces Eson 2 Mask at Investor Day. Sleep Review. Oct. 12, 2015. <<http://www.sleepreviewmag.com/2015/10/fisher-paykel-announces-eson-2-mask-investor-day/>>.  
New—Eson 2 Fisher & Paykel Nasal Mask. CPAP Victoria: Snoring & Sleep Apnoea Solutions. cpapvictoria.com.au. Date accessed: May 21, 2016. <<http://cpapvictoria.com.au/new-eson-2-fisher-paykel-nasal-mask.html>>.  
Fisher & Paykel Eson 2 Nasal Mask. CPAP Direct. cpapdirect.com.au. Date accessed: May 21, 2016. <<https://cpapdirect.com.au/wp-content/uploads/2-15/12/Eson2-Exploded-Image.jpg>>.  
Swivel for Fisher Paykel Eson2 Nasal Mask #400FPH241. CPAP Australia. www.cpapastralia.com.au. Date accessed: May 21, 2016. <<https://www.cpapastralia.com.au/shopping/swivel-for-fisher-paykel-eson2-nasal-mask-400fph241.html>>.  
Office Action for U.S. Appl. No. 29/540,662 dated May 19, 2016.  
Office Action for U.S. Appl. No. 29/540,681 dated May 19, 2016.  
Office Action for U.S. Appl. No. 29/540,693 dated Jun. 2, 2016.  
Office Action for U.S. Appl. No. 29/540,684 dated Sep. 15, 2016.

(56)

**References Cited**

OTHER PUBLICATIONS

Office Action for U.S. Appl. No. 29/540,680 dated Jun. 2, 2016.

\* cited by examiner

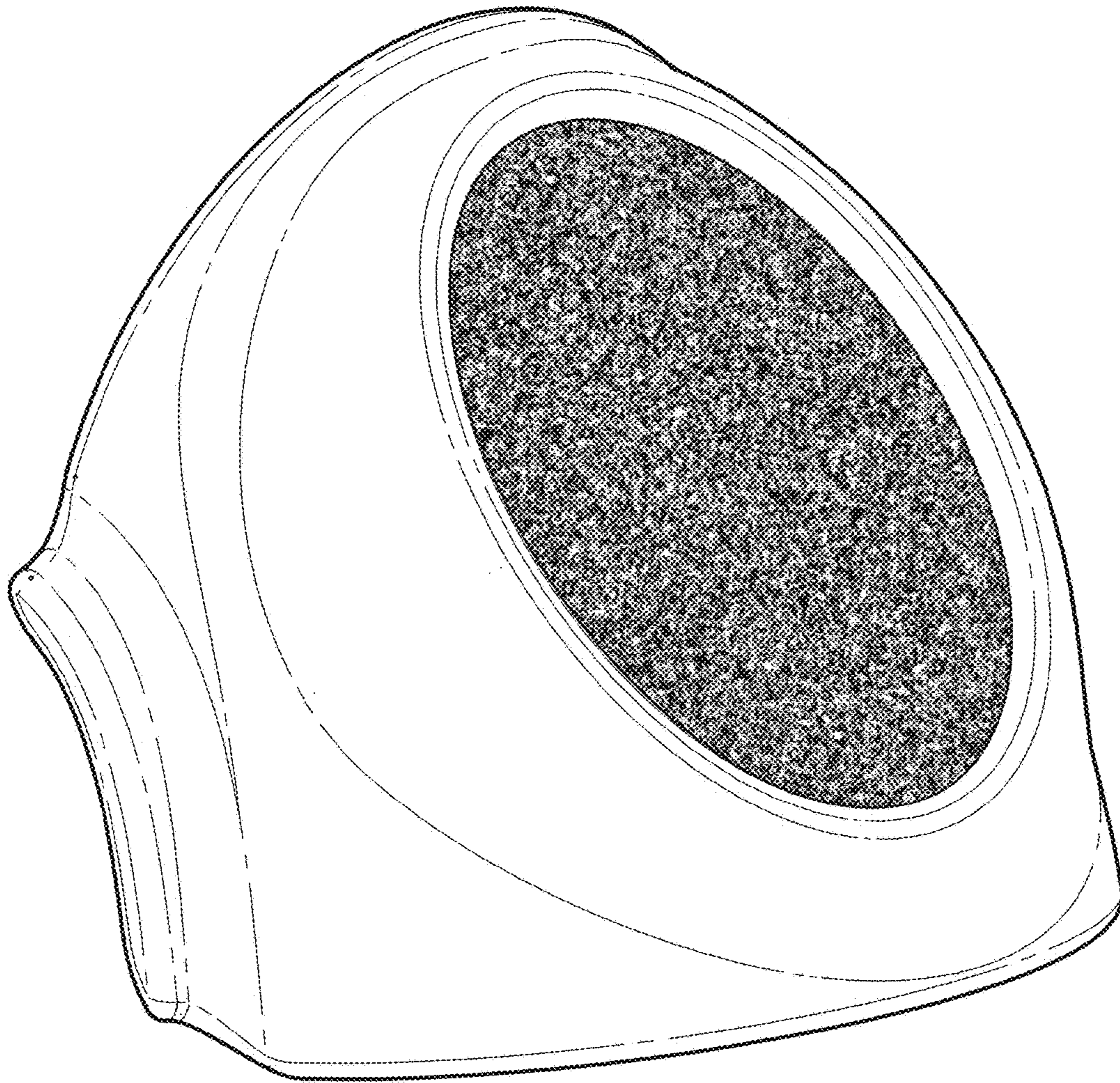


FIG. 1

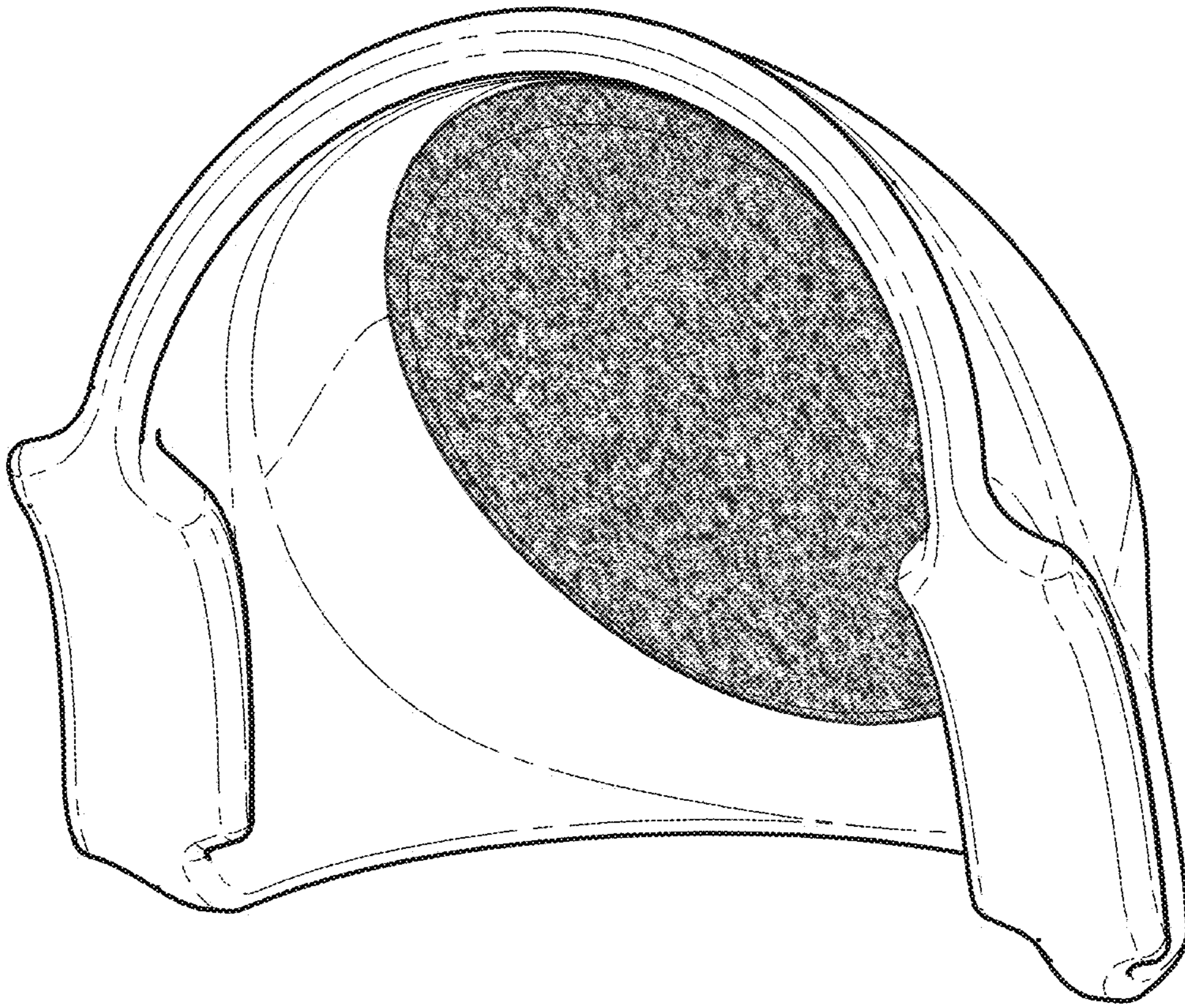


FIG. 2

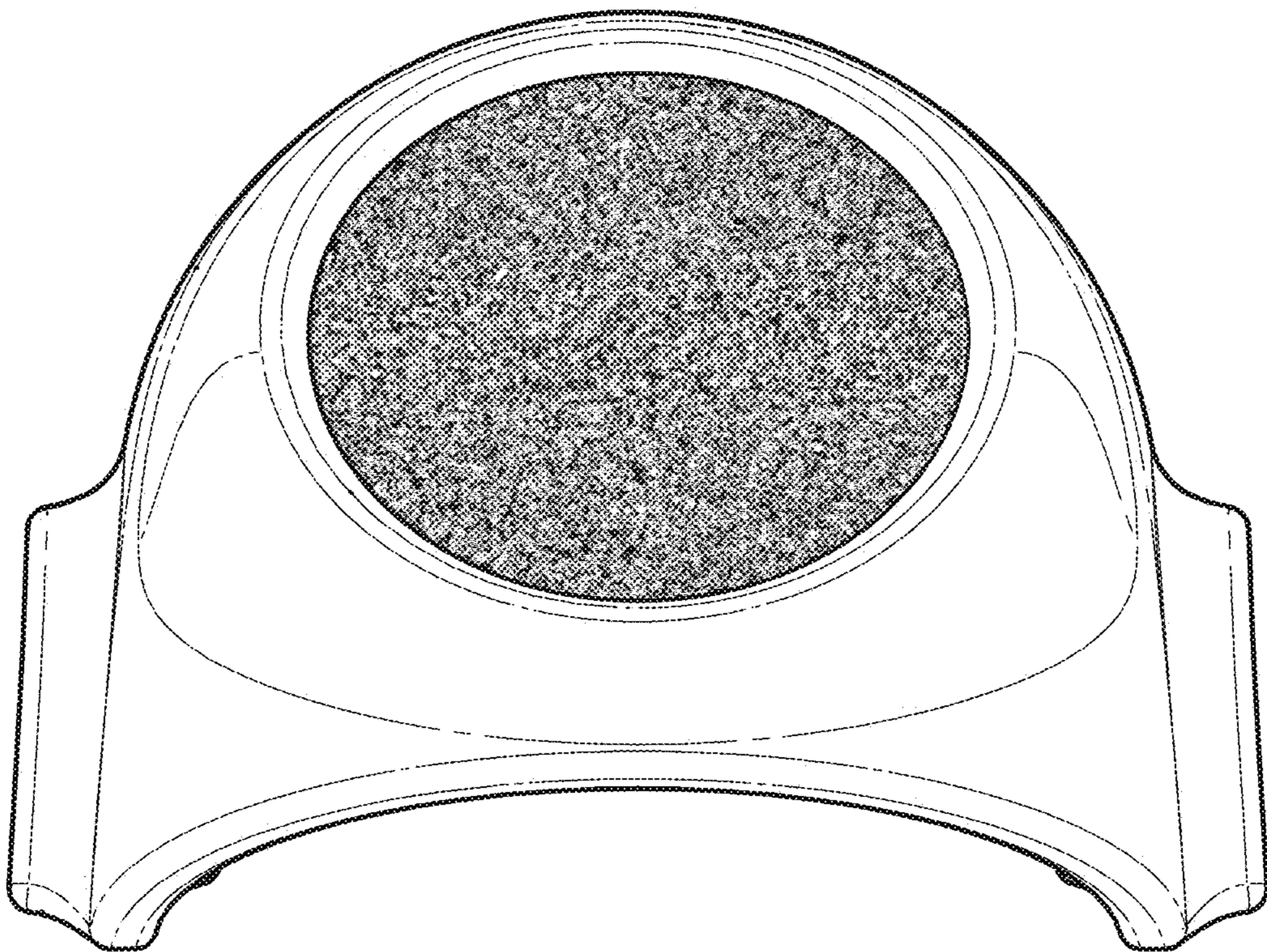


FIG. 3

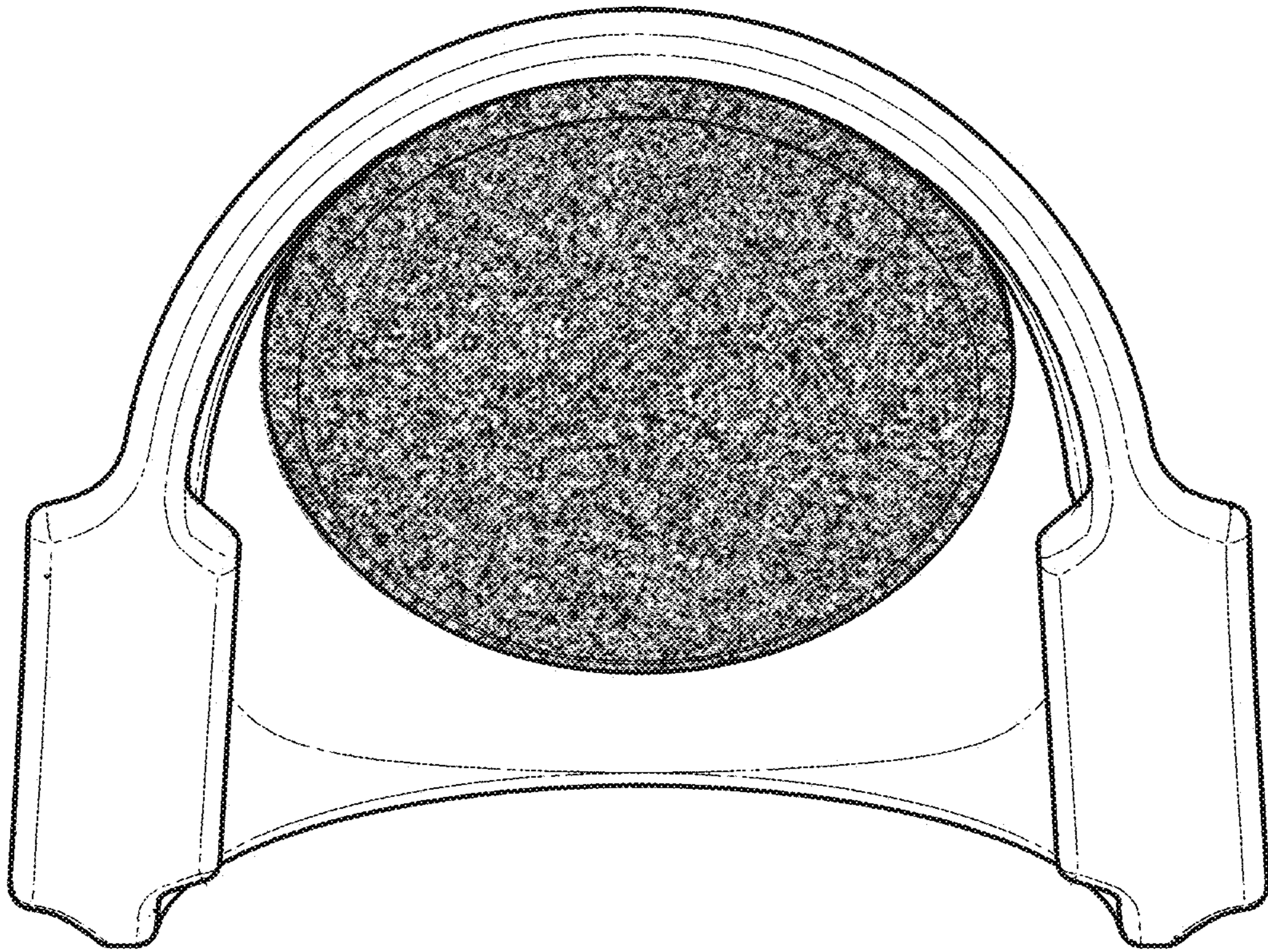


FIG. 4

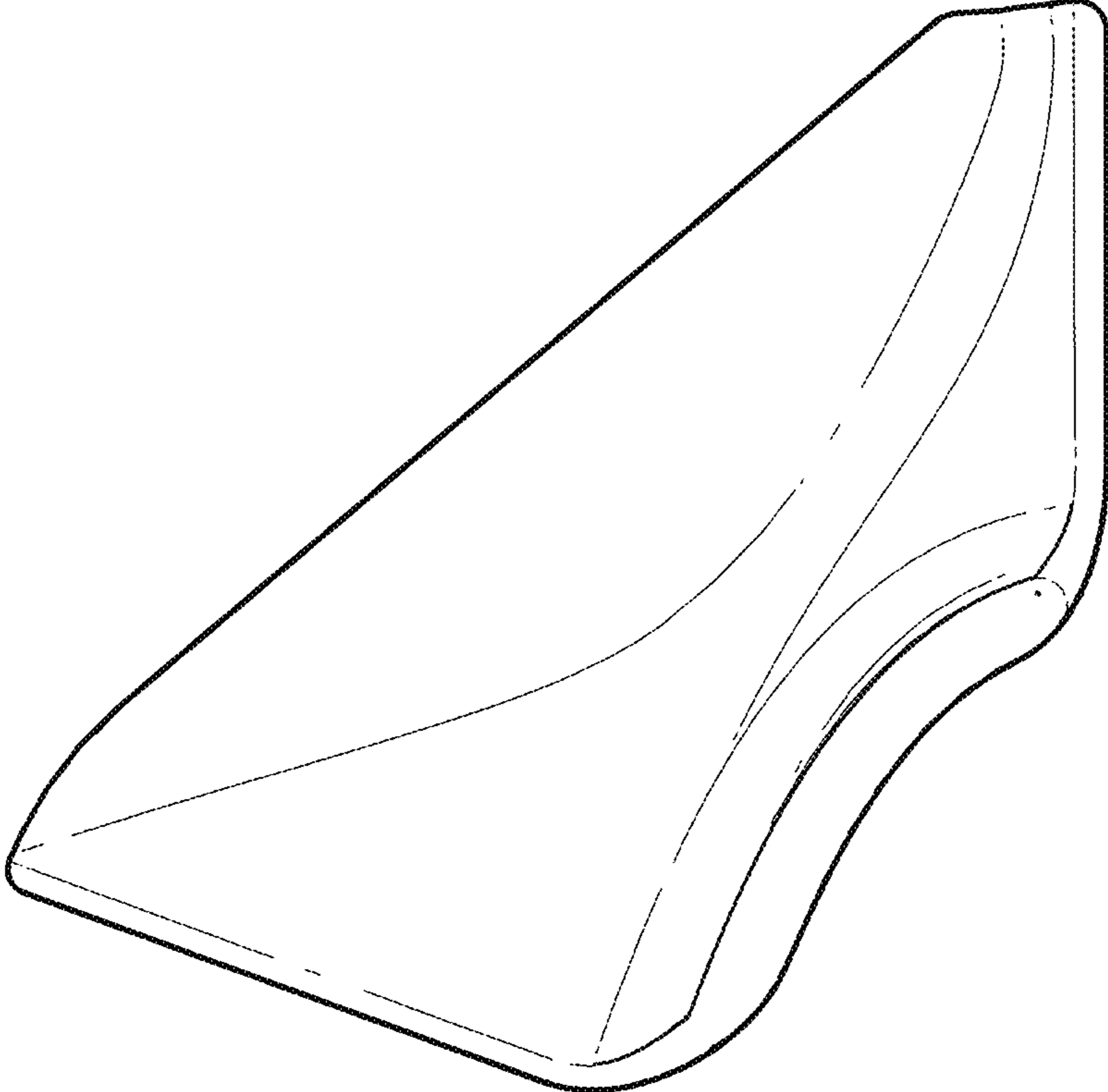


FIG. 5



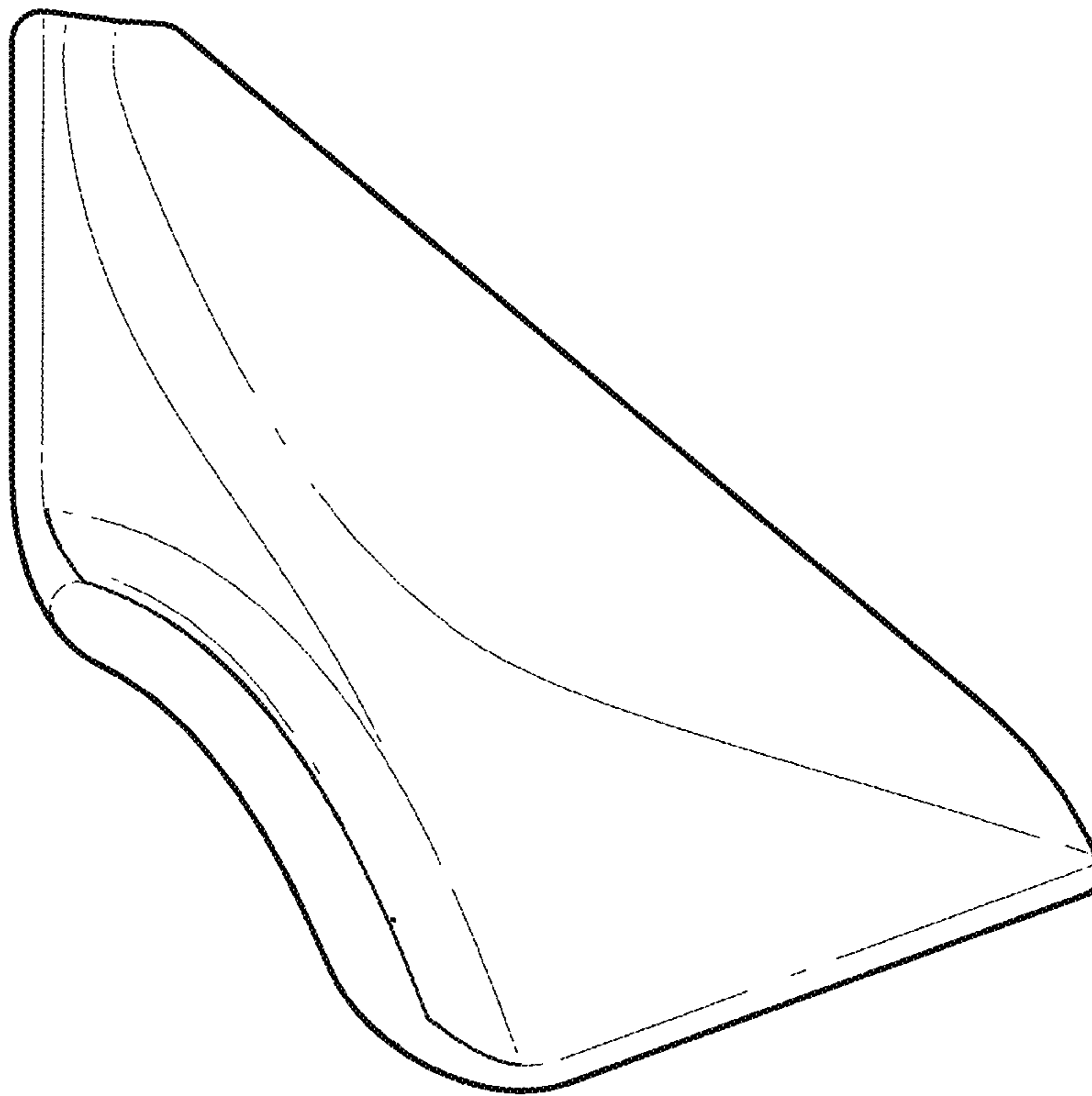


FIG. 6

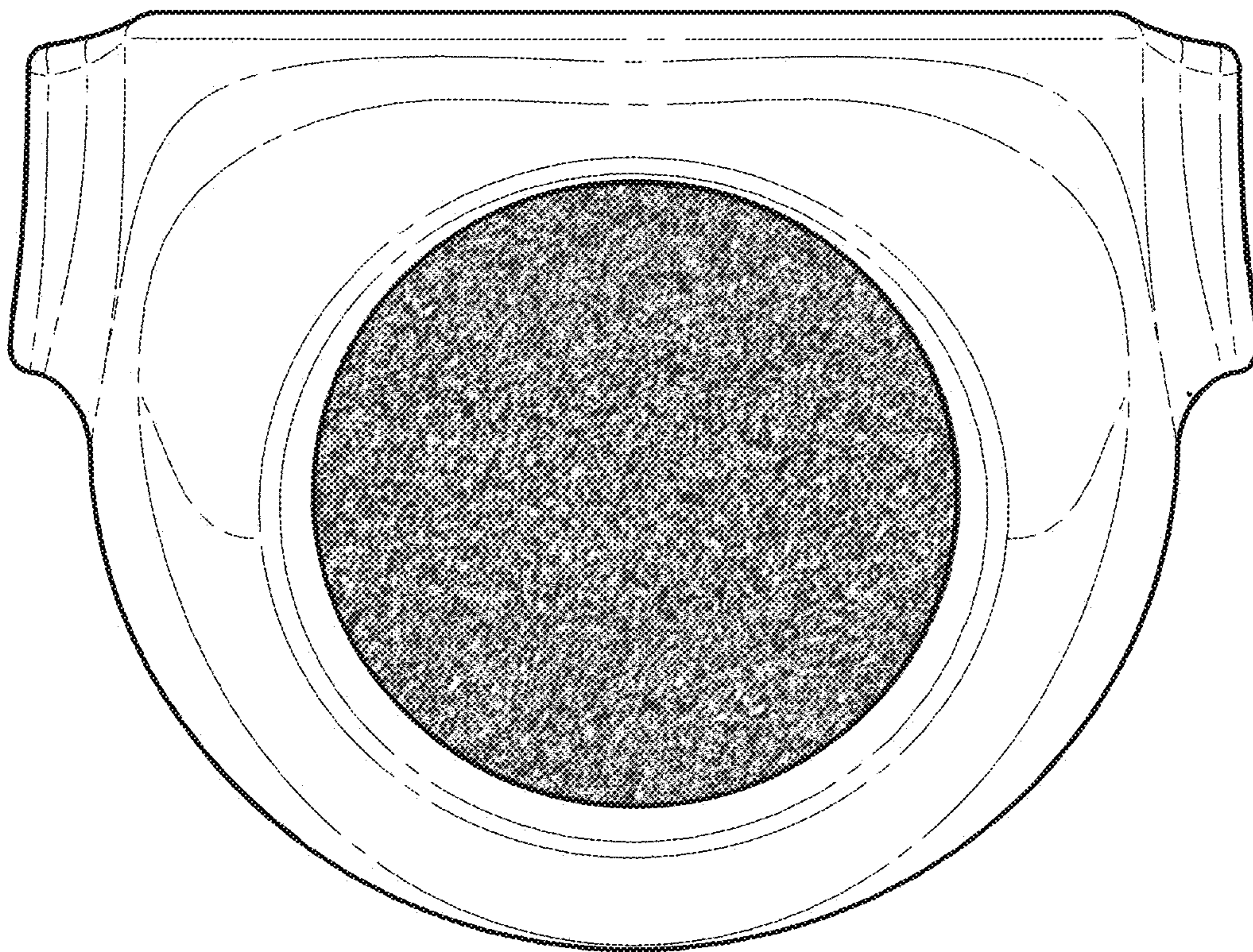


FIG. 7

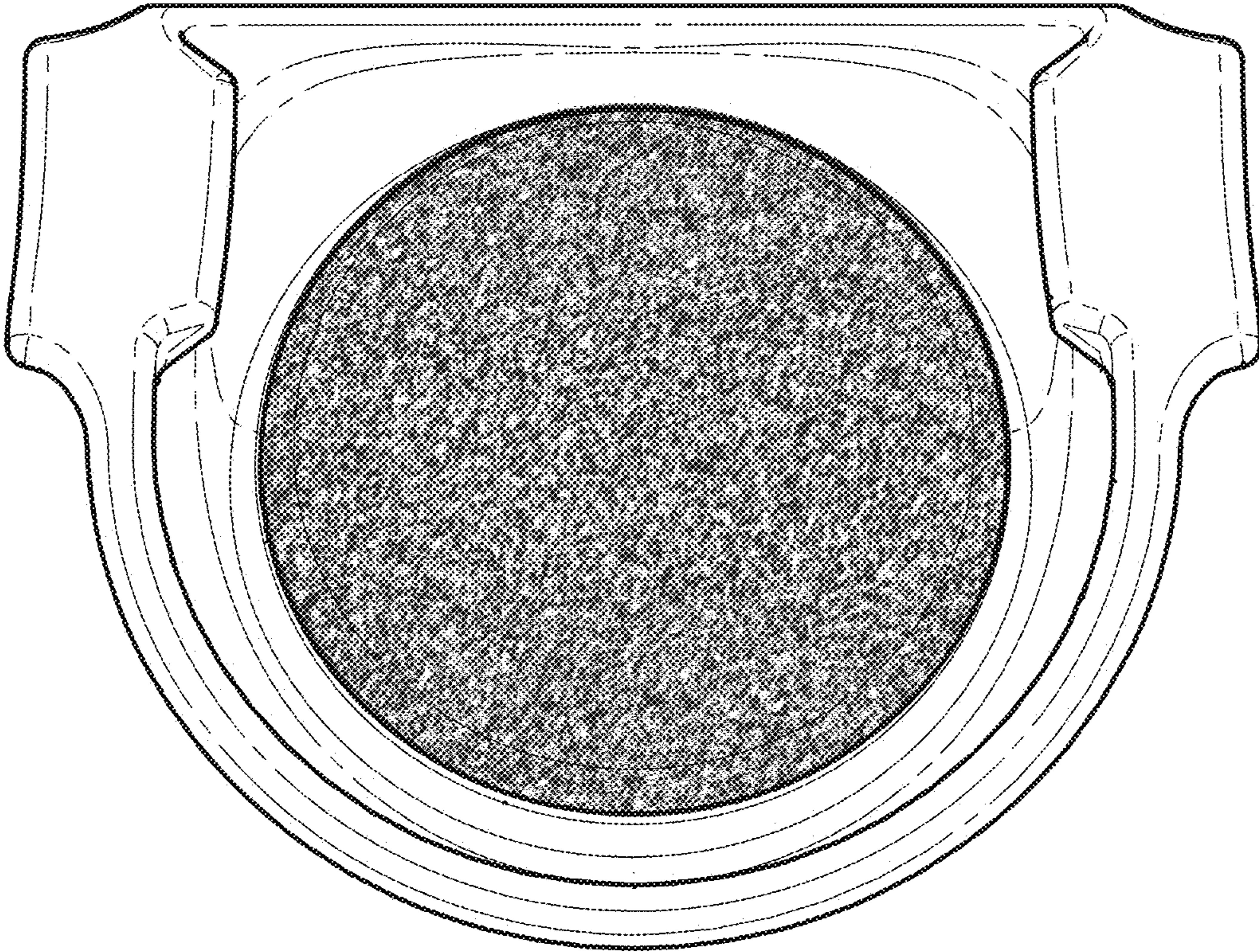


FIG. 8