



US00D828916S

(12) **United States Design Patent**
Zuckerman-Stark et al.

(10) **Patent No.:** **US D828,916 S**

(45) **Date of Patent:** **** *Sep. 18, 2018**

(54) **FINGER PROBE WITH ELECTRODE ARRAY**

(71) Applicant: **Medasense Biometrics Ltd.**, Ramat Gan (IL)

(72) Inventors: **Galit Zuckerman-Stark**, Tel Aviv (IL); **Adi Costa**, Kfar Saba (IL); **Shimon Hayun**, Rosh Haayin (IL); **Refael Gil Koby**, Kochav Yair (IL); **Naum Muchnik**, Yokneam-Ilit (IL); **Avi Kayton**, Tel Aviv (IL)

(73) Assignee: **MEDASENSE BIOMETRICS LTD.**, Ramat Gan (IL)

(*) Notice: This patent is subject to a terminal disclaimer.

(**) Term: **15 Years**

(21) Appl. No.: **29/581,719**

(22) Filed: **Oct. 21, 2016**

(30) **Foreign Application Priority Data**

Sep. 29, 2016 (IL) 59351

(51) **LOC (11) Cl.** **10-04**

(52) **U.S. Cl.**
USPC **24/1; D24/167; D24/186**

(58) **Field of Classification Search**
USPC D24/167, 168, 186, 187
CPC A61B 8/02; A61B 8/04; A61B 8/06; A61B 8/42; A61B 8/44; A61B 8/4427; A61B 8/4455; A61B 8/4472
See application file for complete search history.

(56) **References Cited**

U.S. PATENT DOCUMENTS

5,152,293 A * 10/1992 Vonesh A61B 8/06
600/459
5,895,871 A * 4/1999 Patton A61B 5/04005
73/866.5

5,997,817 A 12/1999 Crismore et al.
D472,644 S 4/2003 Dawson et al.
D494,273 S 8/2004 Haugland et al.
D594,127 S 6/2009 Causevic et al.
D618,802 S 6/2010 Brady et al.
D644,329 S 8/2011 North et al.
D698,442 S 1/2014 Steward, Jr. et al.
D710,005 S 7/2014 Kawamura
D716,677 S 11/2014 Messier et al.
D768,300 S 10/2016 Felix
D787,686 S 5/2017 Jeffrey et al.

(Continued)

Primary Examiner — Antoine Duval Davis

(74) *Attorney, Agent, or Firm* — Roy Gross; The Roy Gross Law Firm, LLC

(57) **CLAIM**

The ornamental design for a finger probe with electrode array, as shown and described.

DESCRIPTION

FIG. 1 is a front, perspective view of a finger probe including an electrode array in accordance with the new design;

FIG. 2 is a rear, perspective view of the finger probe including electrode array;

FIG. 3 is a back view of the finger probe including electrode array;

FIG. 4 is a right side view of the finger probe including electrode array;

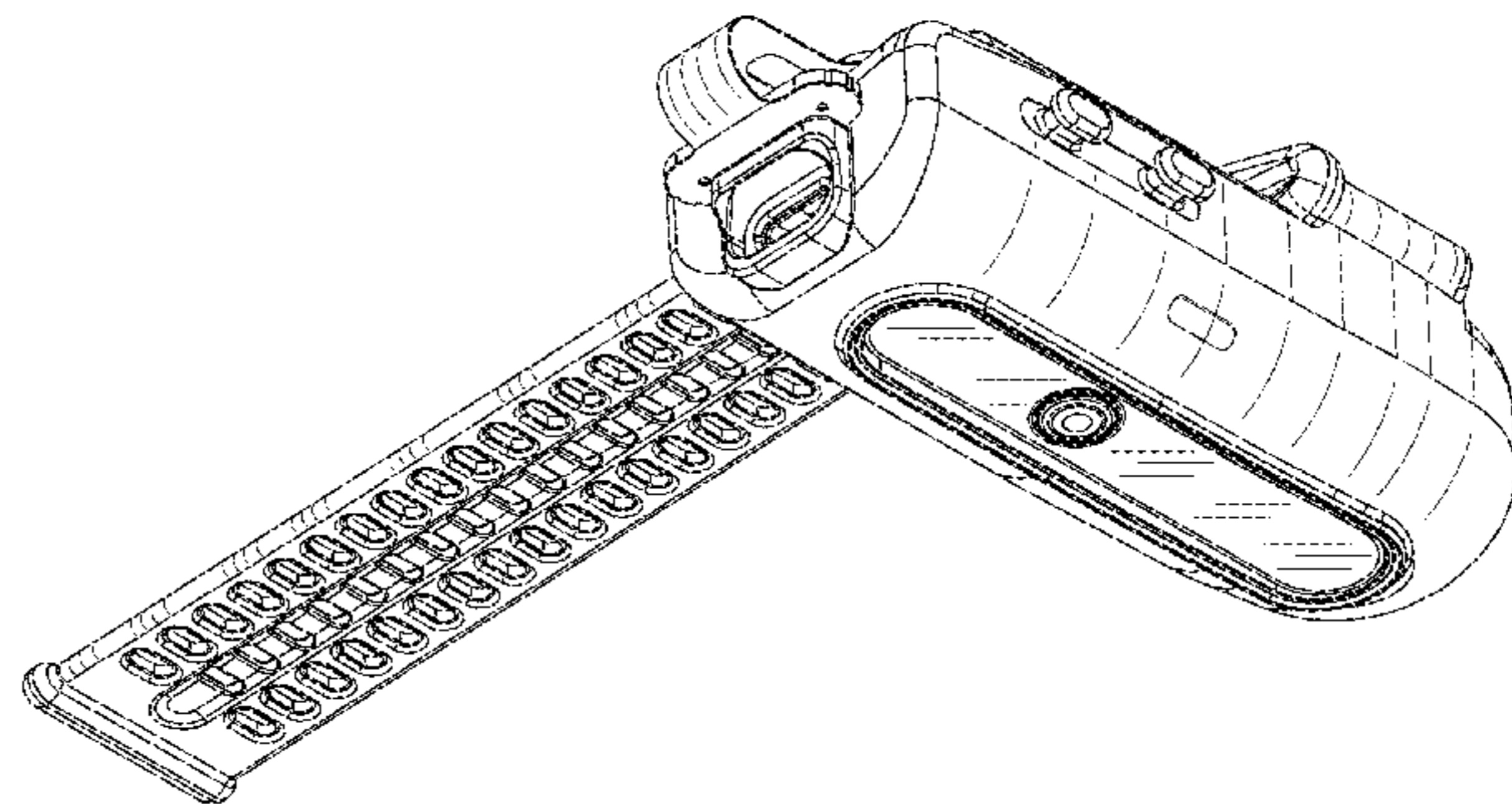
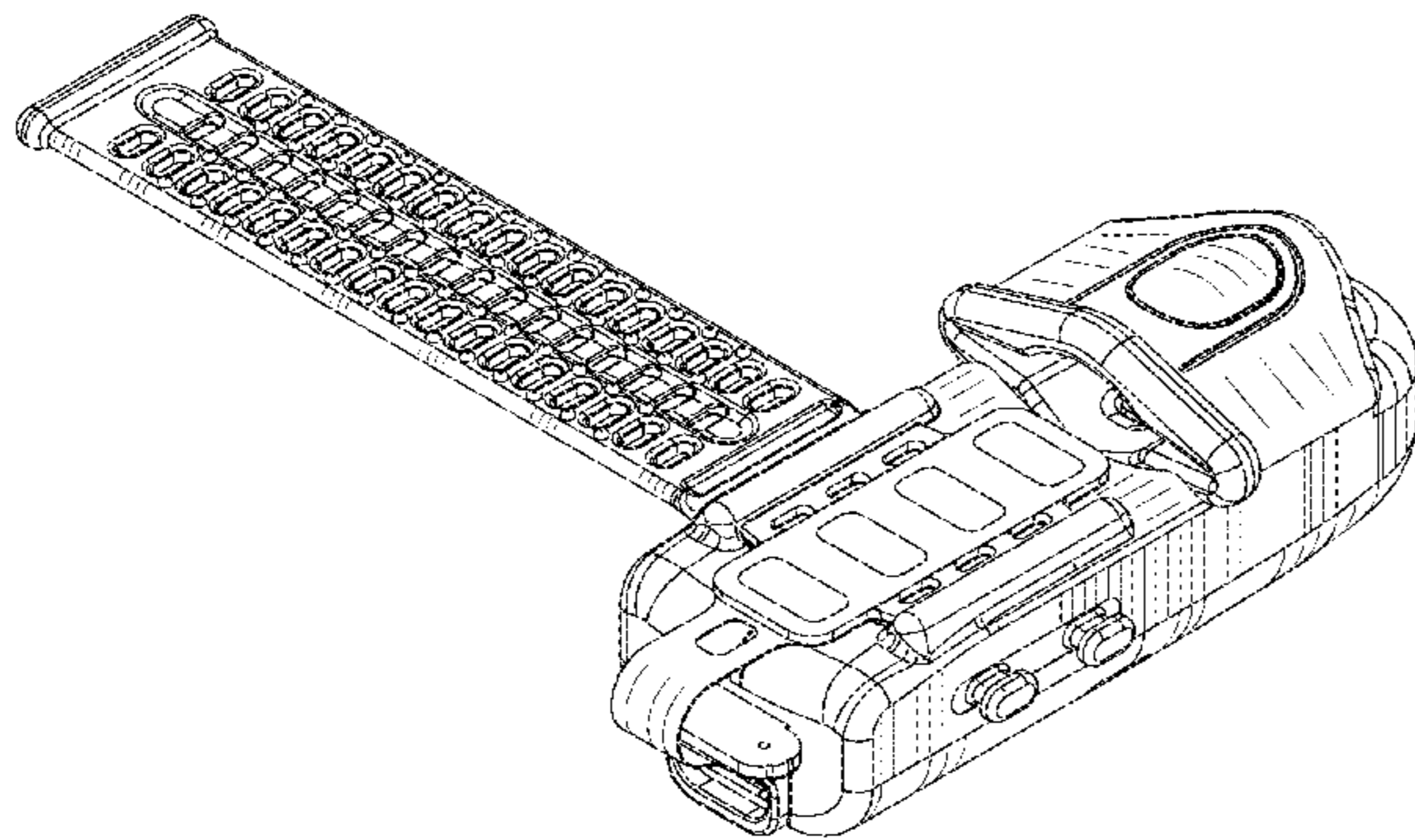
FIG. 5 is a front view of the finger probe including electrode array;

FIG. 6 is a left side view of the finger probe including electrode array;

FIG. 7 is a top view of the finger probe including electrode array; and,

FIG. 8 is a bottom view of the finger probe including electrode array.

1 Claim, 8 Drawing Sheets



(56)

References Cited

U.S. PATENT DOCUMENTS

| | | |
|------------|--------|--------------|
| D790,069 S | 6/2017 | Wong et al. |
| D796,681 S | 9/2017 | Seval et al. |
| D797,728 S | 9/2017 | Sandock |

* cited by examiner

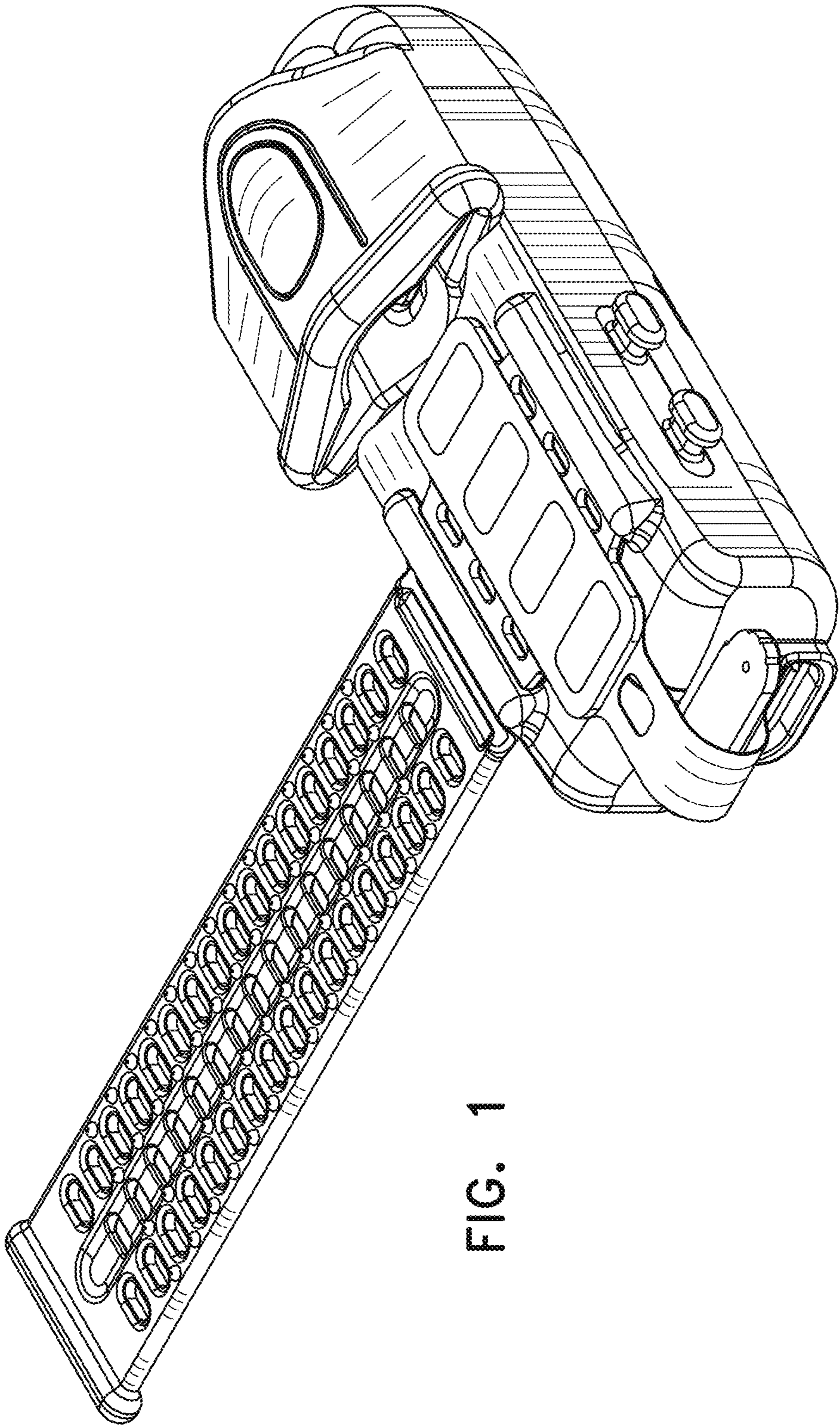


FIG. 1

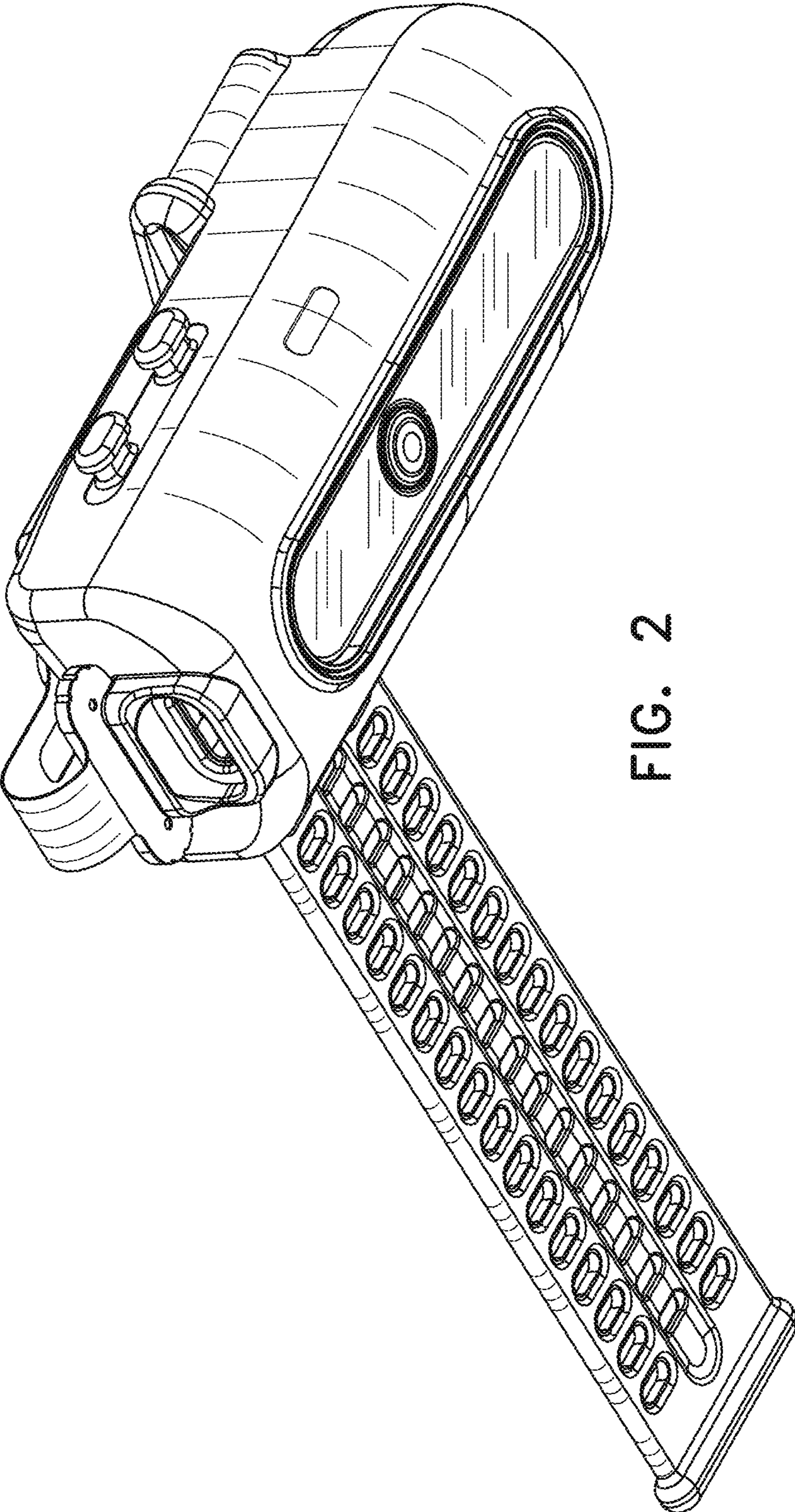


FIG. 2

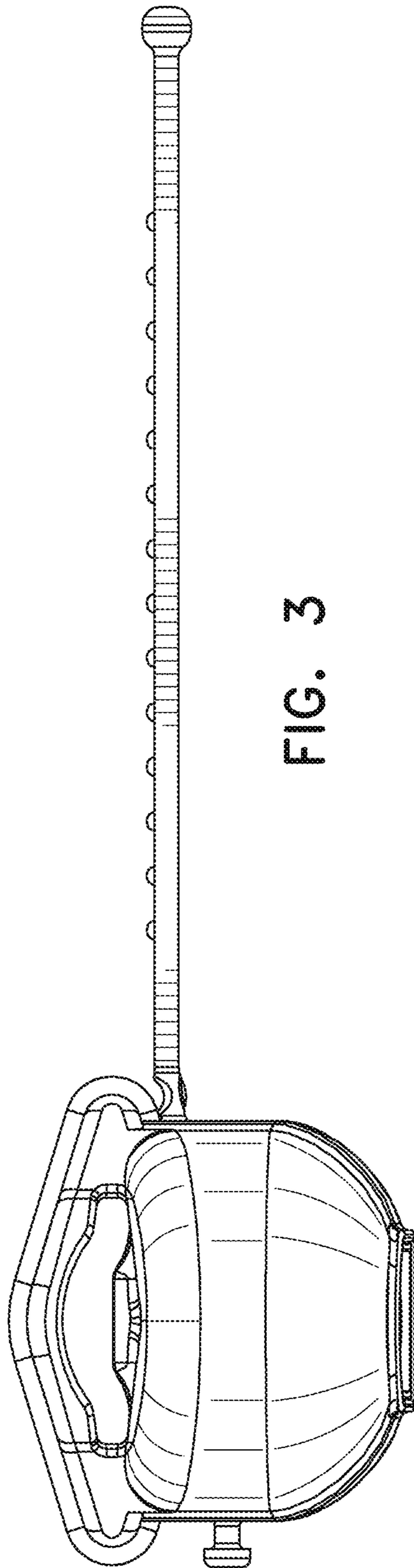


FIG. 3

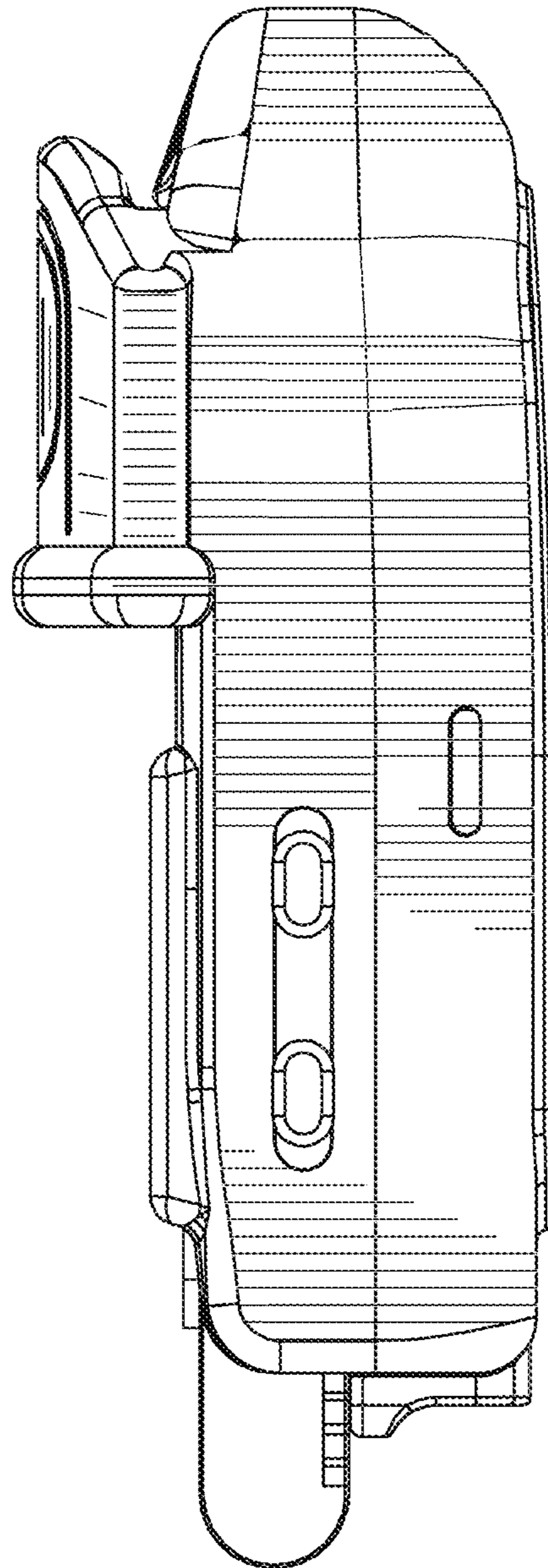


FIG. 4

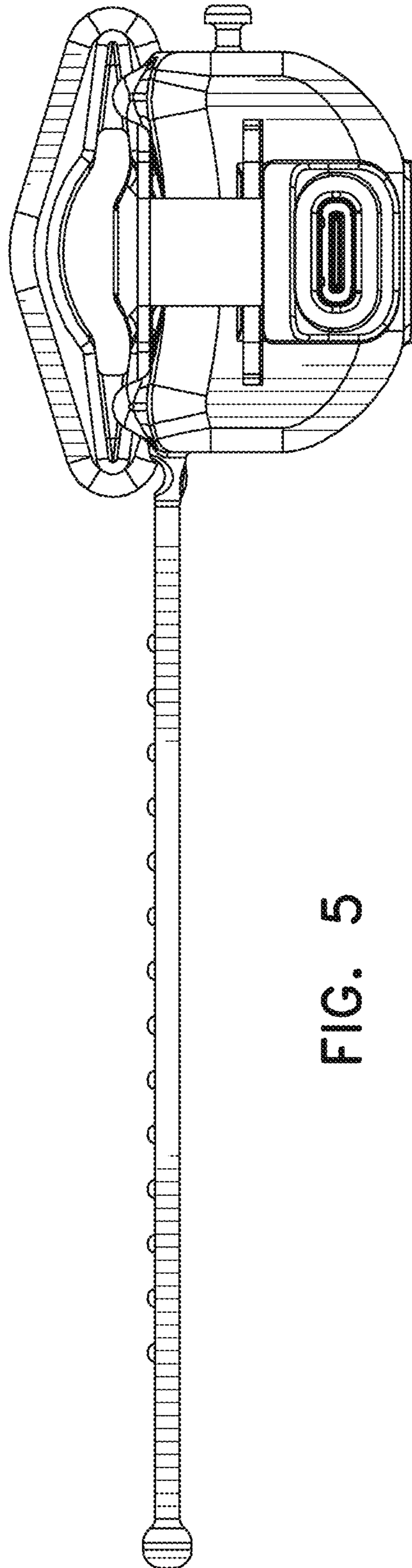


FIG. 5

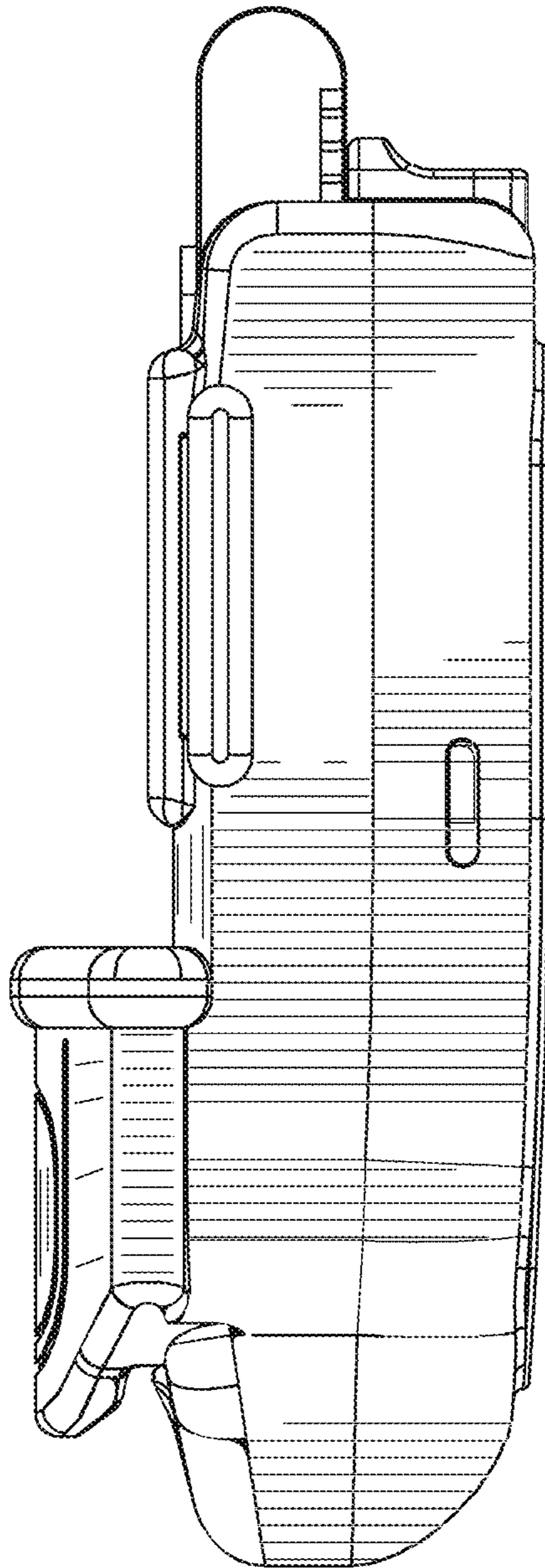


FIG. 6

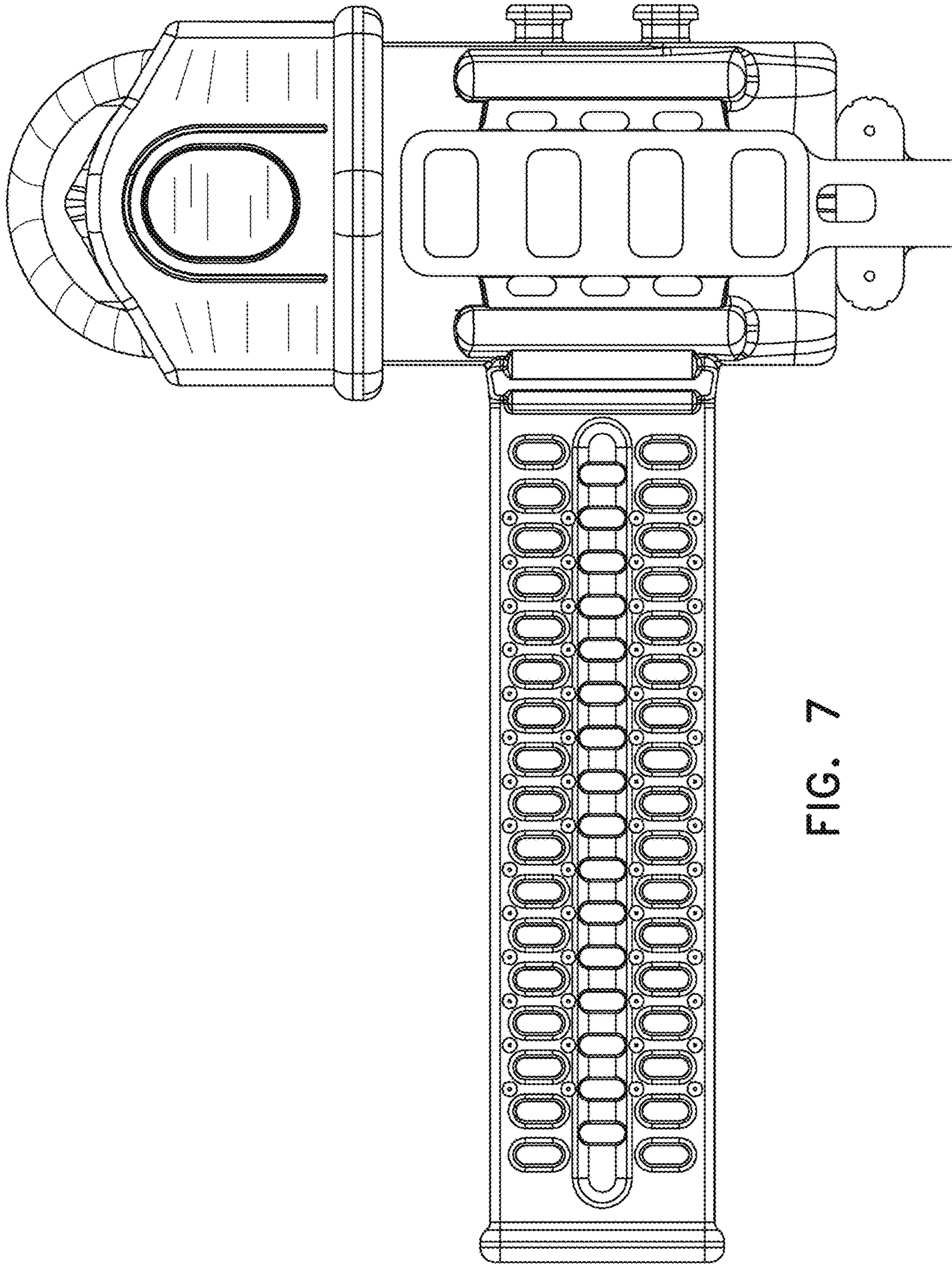


FIG. 7

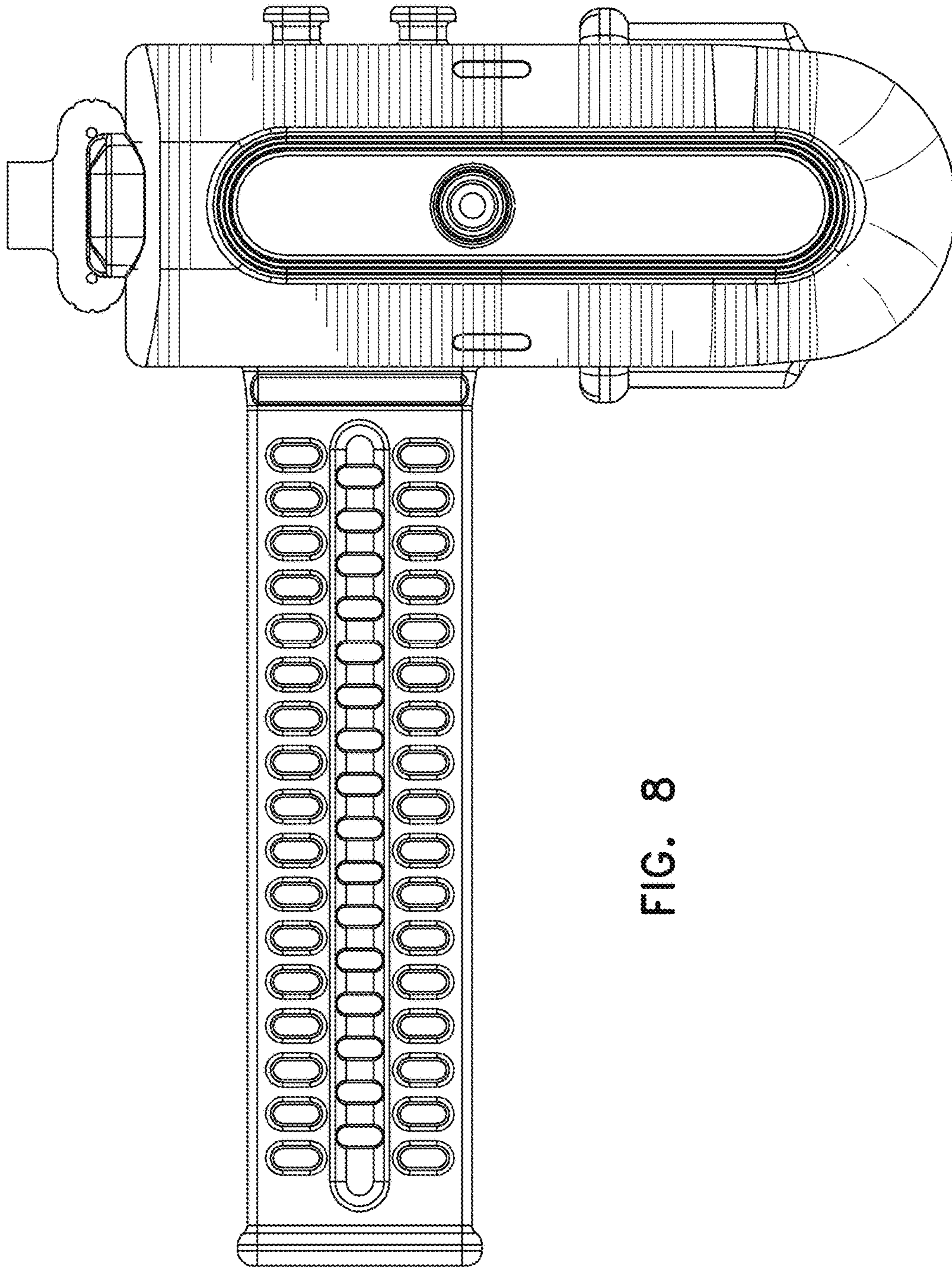


FIG. 8