

US00D828915S

(12) **United States Design Patent**
Haggar

(10) **Patent No.:** **US D828,915 S**

(45) **Date of Patent:** **** Sep. 18, 2018**

(54) **CEILING FAN BLADE**

(71) Applicant: **HUNTER FAN COMPANY,**
Memphis, TN (US)

(72) Inventor: **Alexander Jonathan Haggar,**
Memphis, TN (US)

(73) Assignee: **Hunter Fan Company,** Memphis, TN
(US)

(**) Term: **15 Years**

(21) Appl. No.: **29/611,272**

(22) Filed: **Jul. 20, 2017**

Related U.S. Application Data

(62) Division of application No. 29/579,321, filed on Sep. 29, 2016, now Pat. No. Des. 800,292.

(51) **LOC (11) Cl.** **23-04**

(52) **U.S. Cl.**
USPC **D23/413**

(58) **Field of Classification Search**
USPC D23/370, 377, 379, 381, 382, 385, 411,
D23/413, 414, 332, 328; D26/59
CPC F04D 25/08; F04D 29/388; F04D 29/34;
F04D 25/088; H02K 1/187
See application file for complete search history.

(56) **References Cited**

U.S. PATENT DOCUMENTS

| | | | |
|--------------|---------|----------------|---------|
| 1,777,013 A | 9/1928 | Ness | |
| D475,775 S | 6/2003 | Da Costa | |
| D515,196 S | 2/2006 | Indio da Costa | |
| D536,083 S | 1/2007 | Gajewski | |
| 7,481,626 B2 | 1/2009 | Gajewski | |
| D670,802 S * | 11/2012 | Wang | D23/413 |
| D678,997 S | 3/2013 | Gajewski | |
| D680,210 S | 4/2013 | Chan | |

| | | | |
|--------------|---------|-----------|---------|
| D715,421 S * | 10/2014 | Schulzman | D23/413 |
| D721,429 S | 1/2015 | Busta | |
| D721,800 S * | 1/2015 | Busta | D23/413 |
| D732,657 S * | 6/2015 | Peterson | D23/413 |
| D741,468 S | 10/2015 | Ertze | |
| D741,470 S * | 10/2015 | Ertze | D23/413 |
| D742,500 S * | 11/2015 | Pan | D23/413 |
| D744,079 S | 11/2015 | Wang | |
| D745,657 S | 12/2015 | Wang | |
| D750,213 S | 2/2016 | Schulzman | |
| D755,948 S * | 5/2016 | Ertze | D23/413 |
| D772,393 S | 11/2016 | Wang | |

(Continued)

OTHER PUBLICATIONS

<http://www.montecarlofans.com/50212/56-Avvo-Koa-3AVOR56KOAD.html>, Item Specification for the Avvo Collection, accessed Sep. 29, 2016.

(Continued)

Primary Examiner — Janice Hallmark

(74) *Attorney, Agent, or Firm* — McGarry Bair PC

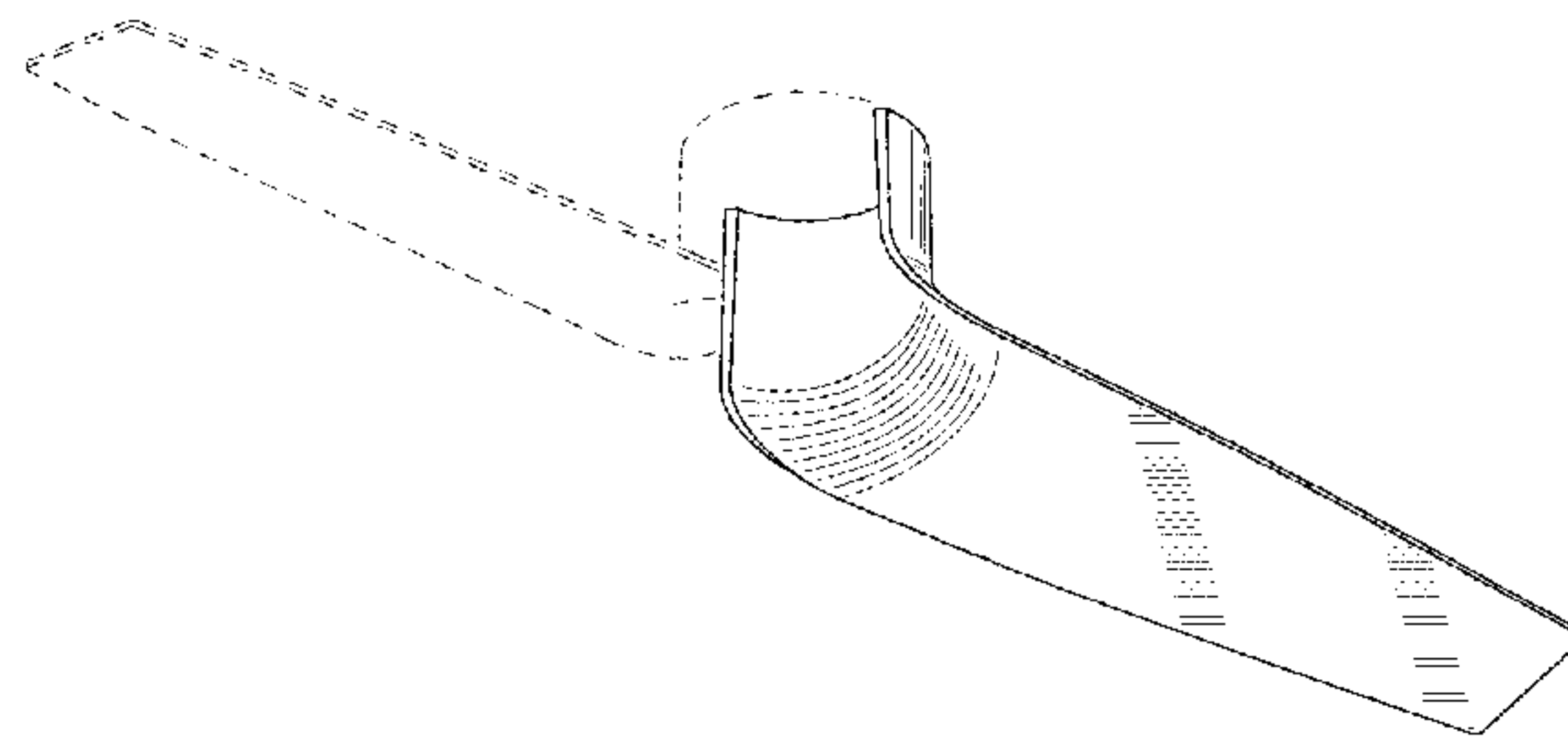
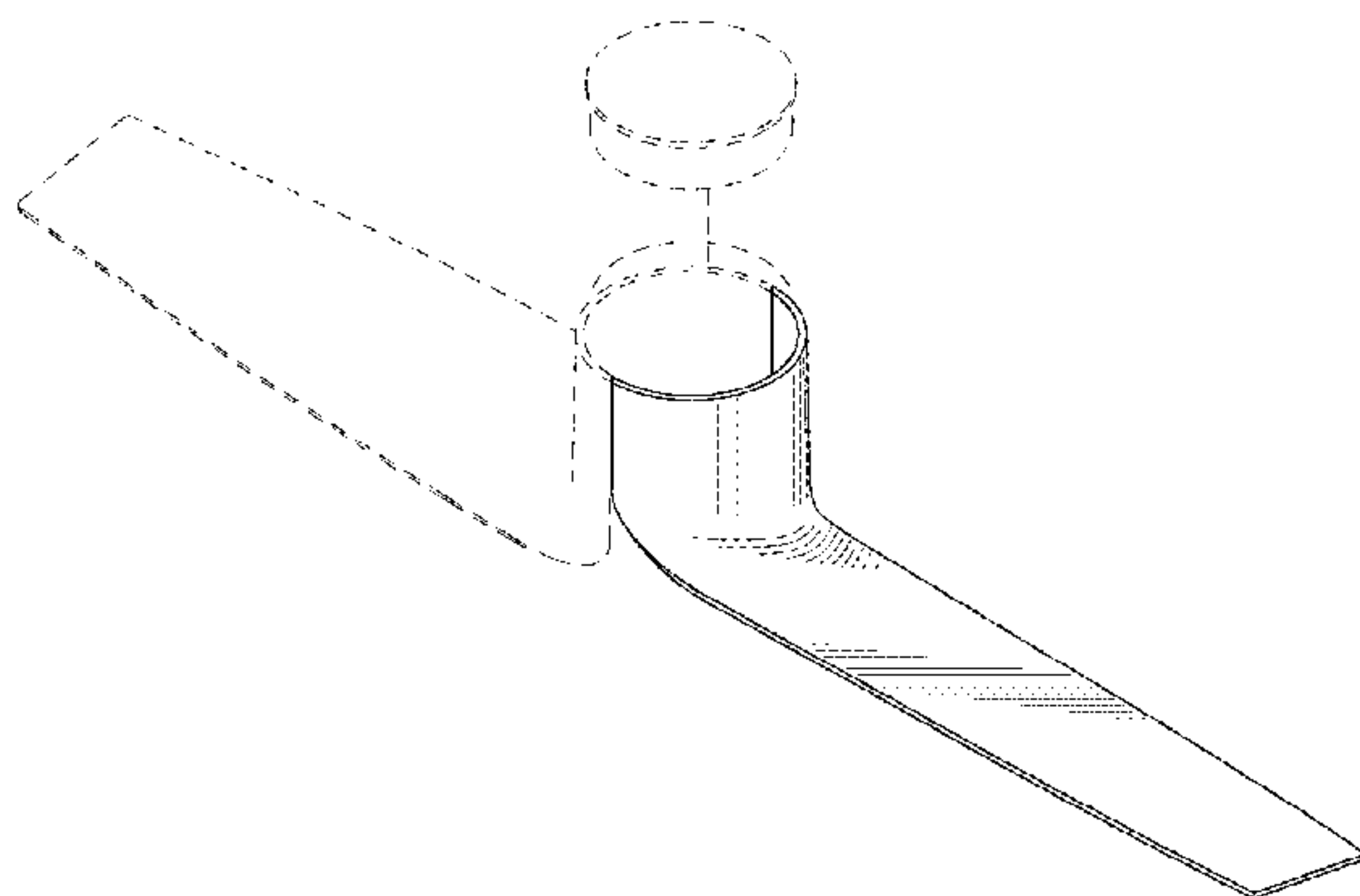
(57) **CLAIM**

The ornamental design for a ceiling fan blade, as shown and described.

DESCRIPTION

FIG. 1 is a top perspective view of a ceiling fan blade, showing my new design;
FIG. 2 is a bottom perspective view thereof;
FIG. 3 is a top view thereof;
FIG. 4 is a bottom view thereof;
FIG. 5 is a right side view thereof;
FIG. 6 is a left side view thereof;
FIG. 7 is a front view thereof; and,
FIG. 8 is a rear view thereof.
The broken lines in the drawings depict environmental subject matter only and form no part of the claimed design.

1 Claim, 4 Drawing Sheets



(56)

References Cited

U.S. PATENT DOCUMENTS

| | | | | |
|--------------|-----|---------|-----------|---------|
| D774,175 | S | 12/2016 | Wang | |
| D776,251 | S * | 1/2017 | Pickett | D23/413 |
| D780,902 | S | 3/2017 | Gajewski | |
| D791,928 | S * | 7/2017 | Yang | D23/377 |
| D798,433 | S * | 9/2017 | Badarello | D23/413 |
| D800,292 | S * | 10/2017 | Haggar | D23/377 |
| D806,227 | S * | 12/2017 | Ruan | D23/413 |
| D806,856 | S * | 1/2018 | Schulzman | D23/413 |
| D810,271 | S * | 2/2018 | Holmes | D23/413 |
| D810,923 | S * | 2/2018 | Jones | D23/413 |
| 2012/0177496 | A1 | 6/2012 | Gajewski | |

OTHER PUBLICATIONS

http://www.minkagroup.net/all-collections?field_family_tid_selective%5B%5D=926&field_specs_energy_star_value=All&keys=, Item Specification for Minka Wing, accessed Sep. 29, 2016.

<http://www.matthewsfanco.com/index.php?page=c-iv>, Item Specification for C-IV, accessed Sep. 29, 2016.

<http://www.savoyhouse.com/Ariel-68-2-Blade-Ceiling-Fan.html>, Item Specification for Ariel 68" 2 Blade Ceiling Fan, accessed Sep. 29, 2016.

<http://www.kichler.com/products/product/52-inch-link-fan-pn-300168pn.aspx>, Item Specification for Link Collection 52 Inch Link Fan PN, accessed Sep. 29, 2016.

<http://www.kichler.com/products/product/60-inch-ferron-celing-fan-pn-300160pn.aspx>, Item Specification for Ferron Collection 60 Inch Ferron Ceiling Fan PN, accessed Sep. 29, 2016.

<http://www.delmarfans.com/quorum-ceiling-fans/muse/21542-14/>, Item Specification for Quorum 21542-14, Muse chrome 54" Ceiling Fan with Light & Wall Control, accessed Sep. 29, 2016.

<http://www.craftmade.com/Craftmade-VG54TI2-Titanium-Ceiling-Fan.HTM>, Item Specification for VG54TI2—Vogue, accessed Sep. 29, 2016.

<http://www.westinghouselighting.com/ceiling-fans/52-inch-ceiling-fan/aerialist-52-inch-two-blade-indoor-dc-motor-ceiling-fan-7201600.aspx>, Item Specification for Aerialist 52-Inch Two-Blade Indoor DC Motor Ceiling Fan, accessed Sep. 29, 2016.

<http://www.kichler.com/products/product/52-inch-maiden-fan-obb-300149obb.aspx>, Item Specification for 52 Inch Maiden Fan—OBB, accessed Sep. 29, 2016.

<http://www.westinghouselighting.com/ceiling-fans/48-inch-ceiling-fan/solana-48-inch-two-blade-indoor-ceiling-fan-7216100.aspx>, Item Specification for Solana 48-Inch Two-Blade Indoor Ceiling Fan, accessed Sep. 29, 2016.

<http://www.westinghouselighting.com/ceiling-fans/48-inch-ceiling-fan/harmony-48-inch-two-blade-indoor-ceiling-fan-7214100.aspx>, Item Specification for Harmony 48-Inch Two-Blade Indoor Ceiling Fan, accessed Sep. 29, 2016.

<http://www.westinghouselighting.com/ceiling-fans/52-inch-ceiling-fan/sparta-52-inch-two-blade-indoor-ceiling-fan-7852400.aspx>, Item Specification for Sparta 52-Inch Two-Blade Indoor Ceiling Fan, accessed Sep. 29, 2016.

<http://www.lowes.com/pd/Kichler-Lighting-56-in-Satin-Black-with-Antique-Pewter-Accents-Downrod-Mount-Indoor-Ceiling-Fan-with-Remote-2-Blade/999919000>, Item Specification for Kichler Lighting 56-in Satin Black with Antique Pewter Accents Downrod Mount Indoor Ceiling Fan with Remote (2-Blade), accessed Sep. 29, 2016.

<http://www.lowes.com/pd/Harbor-Breeze-Revel-Island-52-in-Brushed-Nickel-Flush-Mount-Indoor-Ceiling-Fan-with-Remote-2-Blade/3880601>, Item Specification for Harbor Breeze Revel Island 52-in Brushed Nickel Flush Mount Indoor Ceiling Fan with Remote (2-Blade), accessed Sep. 29, 2016.

<http://www.lowes.com/pd/Harbor-Breeze-Platinum-Santa-Ana-48-in-Brushed-Nickel-Downrod-Mount-Indoor-Ceiling-Fan-with-Light-Kit-and-Remote-2-Blade/50057291>, Item Specification for Harbor Breeze Platinum Santa Ana 48-in Brushed Nickel Downrod Mount Indoor Ceiling Fan with Light Kit and Remote (2-Blade), accessed Sep. 29, 2016.

* cited by examiner

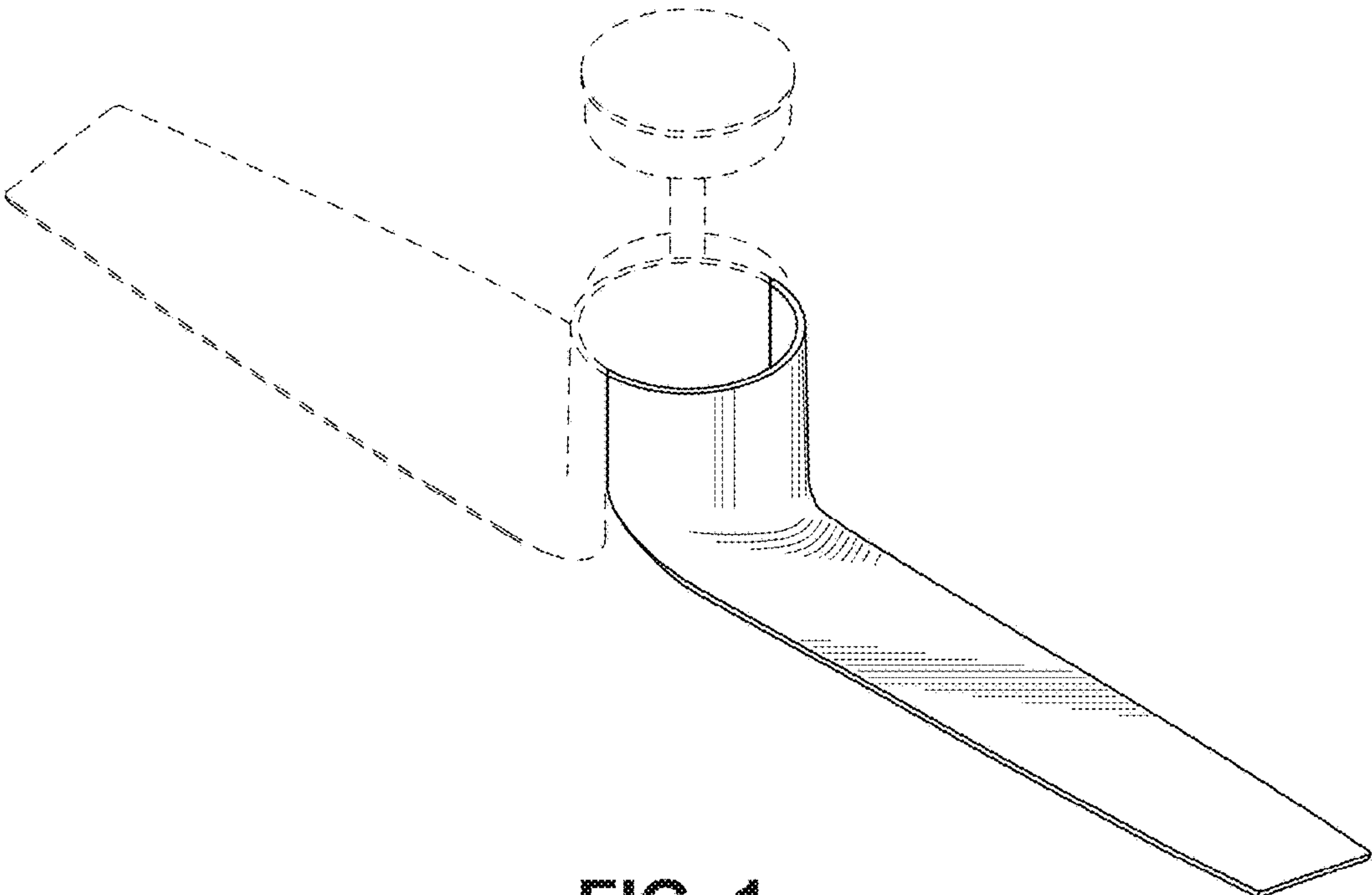


FIG. 1

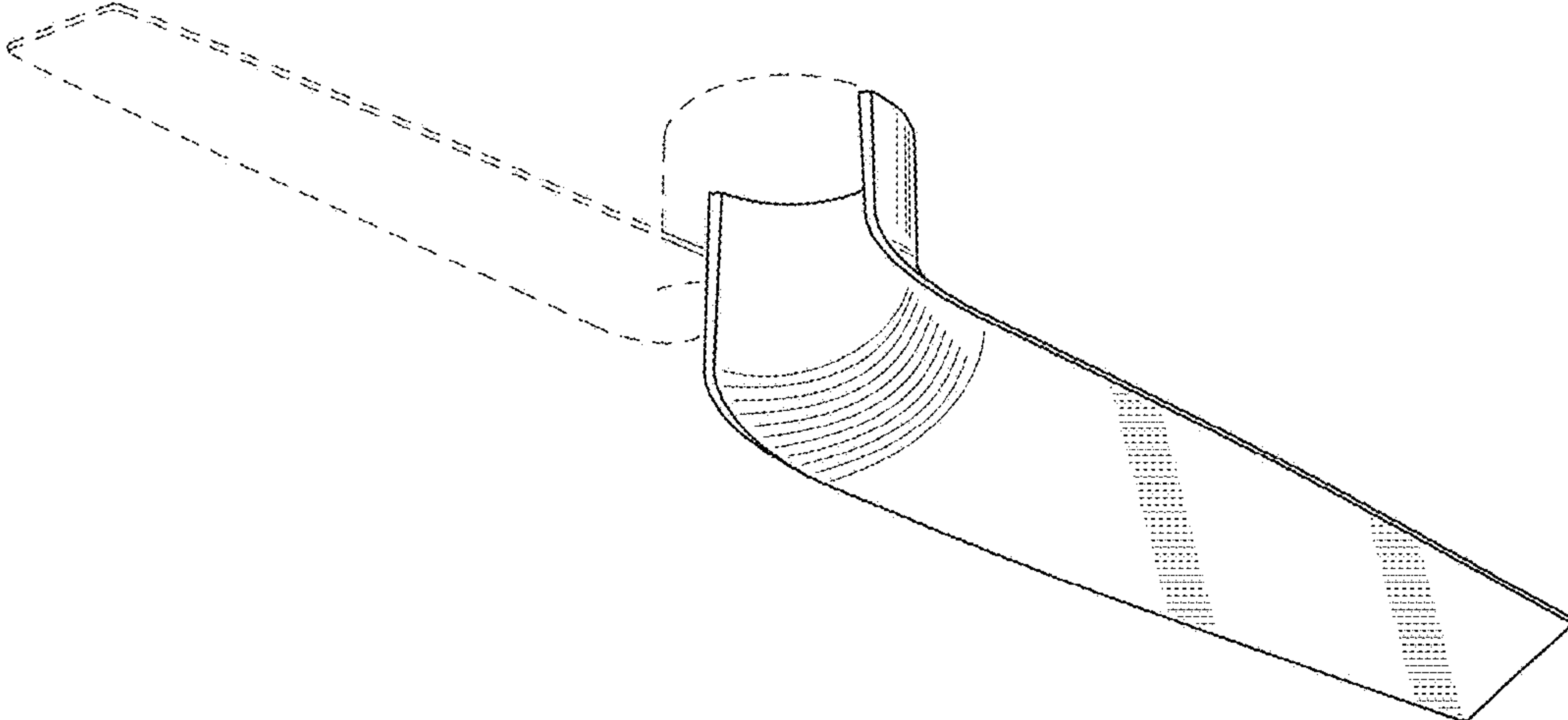


FIG. 2

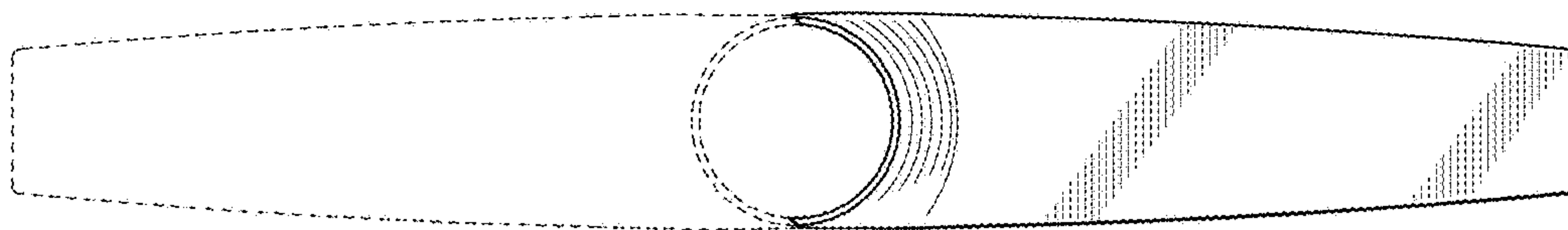


FIG. 3

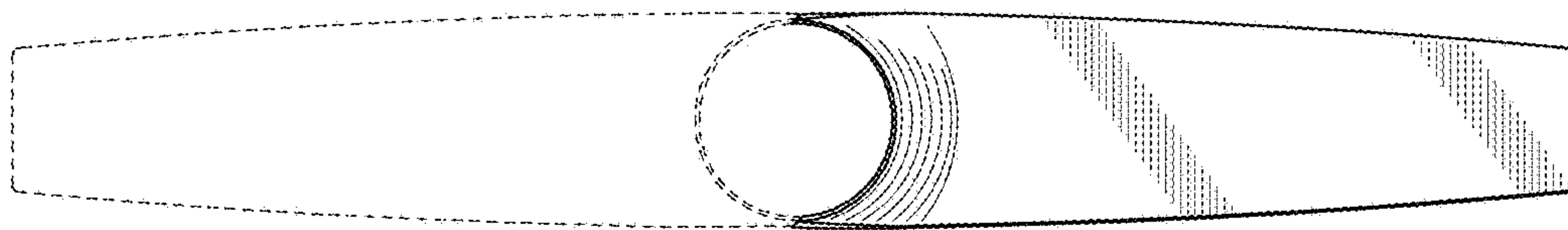


FIG. 4

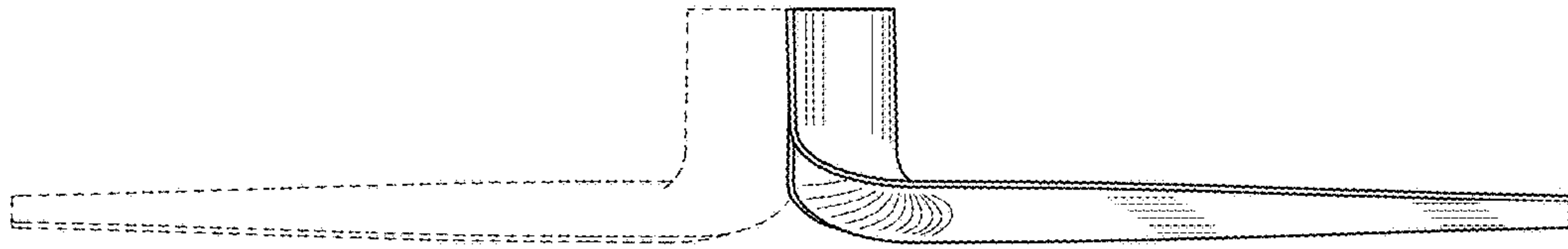


FIG. 5

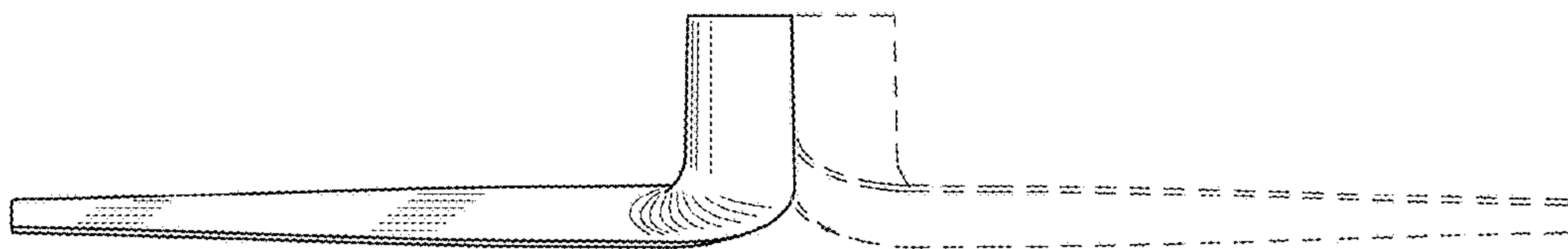


FIG. 6

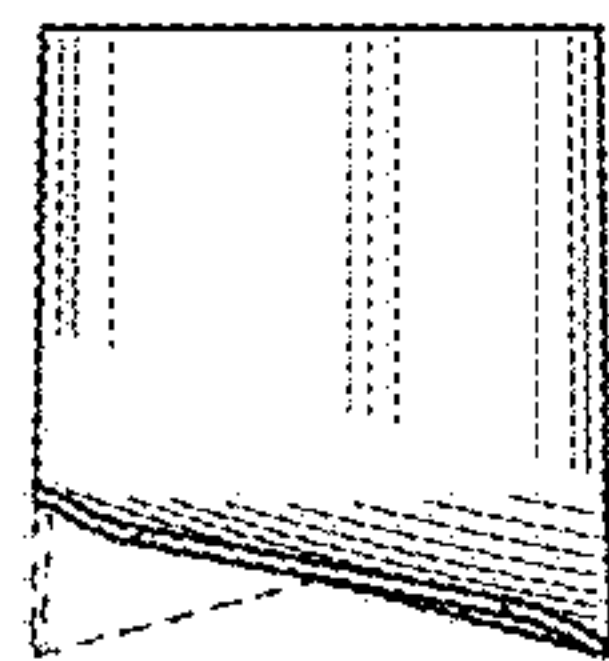


FIG. 7

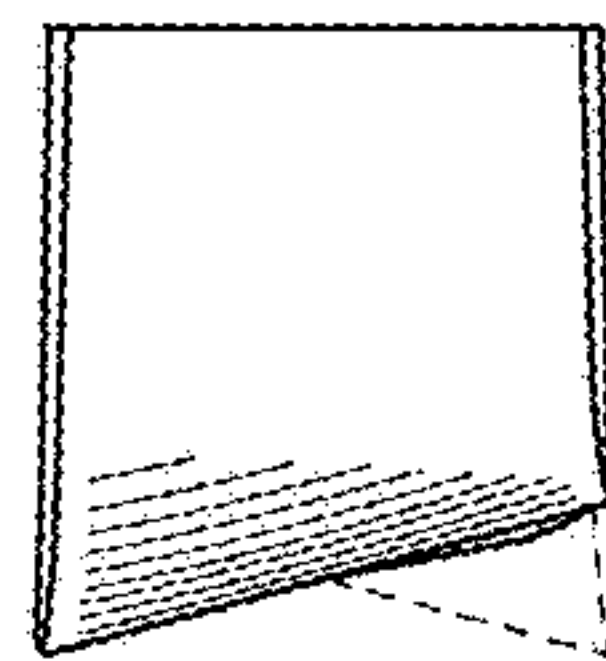


FIG. 8