



US00D828914S

(12) **United States Design Patent**
Hoffmaster et al.

(10) **Patent No.:** **US D828,914 S**
(45) **Date of Patent:** **** Sep. 18, 2018**

(54) **FAN BLADE**

(71) Applicants: **Russell Hoffmaster**, Ambridge, PA
(US); **James Francis Jaros**, Rochester,
PA (US)

(72) Inventors: **Russell Hoffmaster**, Ambridge, PA
(US); **James Francis Jaros**, Rochester,
PA (US)

(**) Term: **15 Years**

(21) Appl. No.: **29/606,521**

(22) Filed: **Jun. 5, 2017**

(51) **LOC (11) Cl.** **23-03**

(52) **U.S. Cl.**
USPC **D23/413**

(58) **Field of Classification Search**
USPC D23/370–385, 411–414
CPC F04D 25/088; F21V 33/0096
See application file for complete search history.

(56) **References Cited**

U.S. PATENT DOCUMENTS

D82,179 S	6/1930	Ringwald	
D235,021 S *	4/1975	Fulton	416/132 A
D246,794 S *	12/1977	Bonifant	416/132 A
D295,678 S	5/1988	McVey	
5,244,349 A	9/1993	Wang	

(Continued)

OTHER PUBLICATIONS

Document entitled “My handcrafted replacement ceiling fan blades”,
downloaded from [https://www.pinterest.com/THEFANBLADEGUY/
myhandcraftedreplacementceilingfanblades/](https://www.pinterest.com/THEFANBLADEGUY/myhandcraftedreplacementceilingfanblades/) on May 8, 2017.

(Continued)

Primary Examiner — Cathron C Brooks
Assistant Examiner — Sharon Sejin Oum

(74) *Attorney, Agent, or Firm* — Thomas M. Joseph

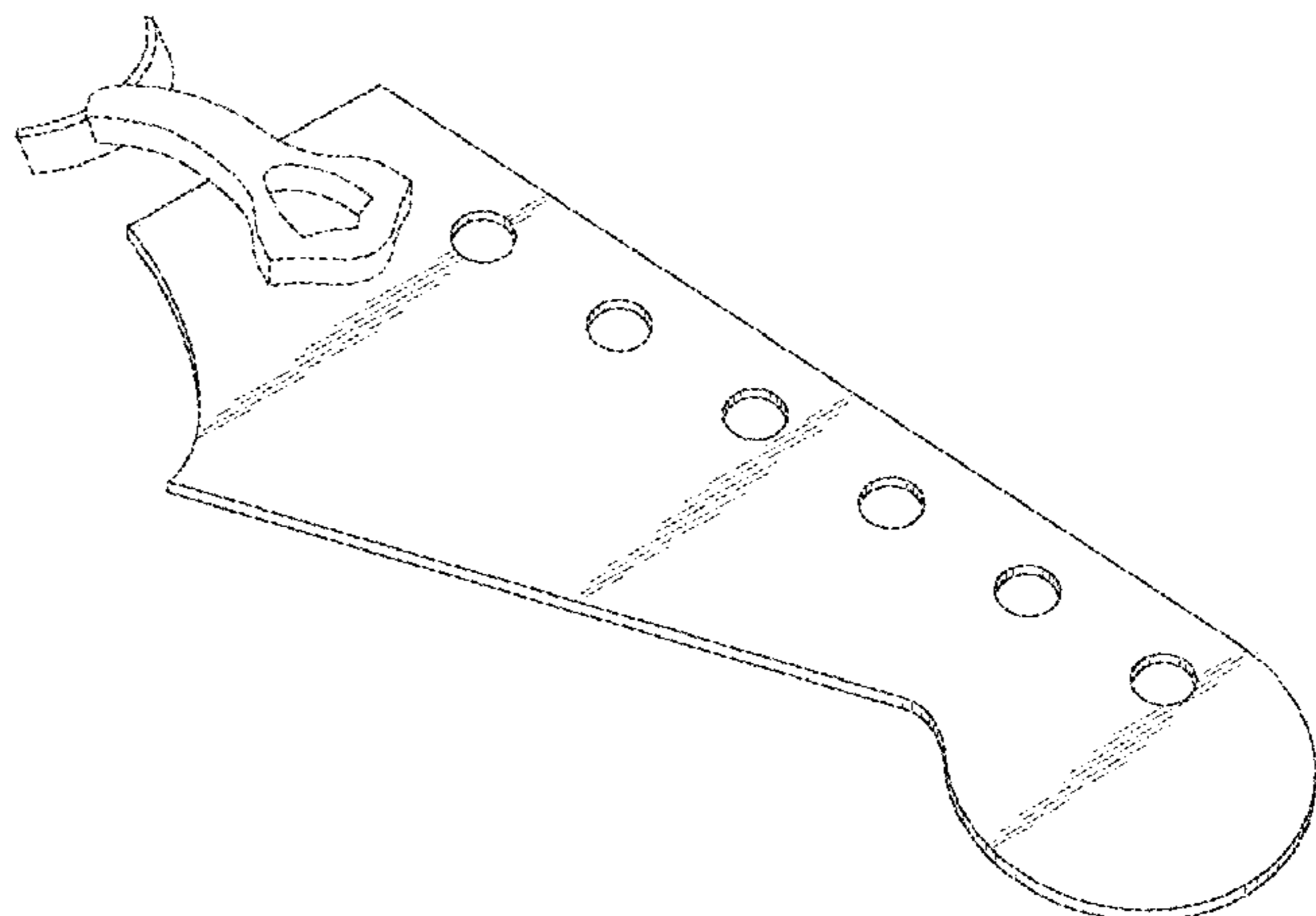
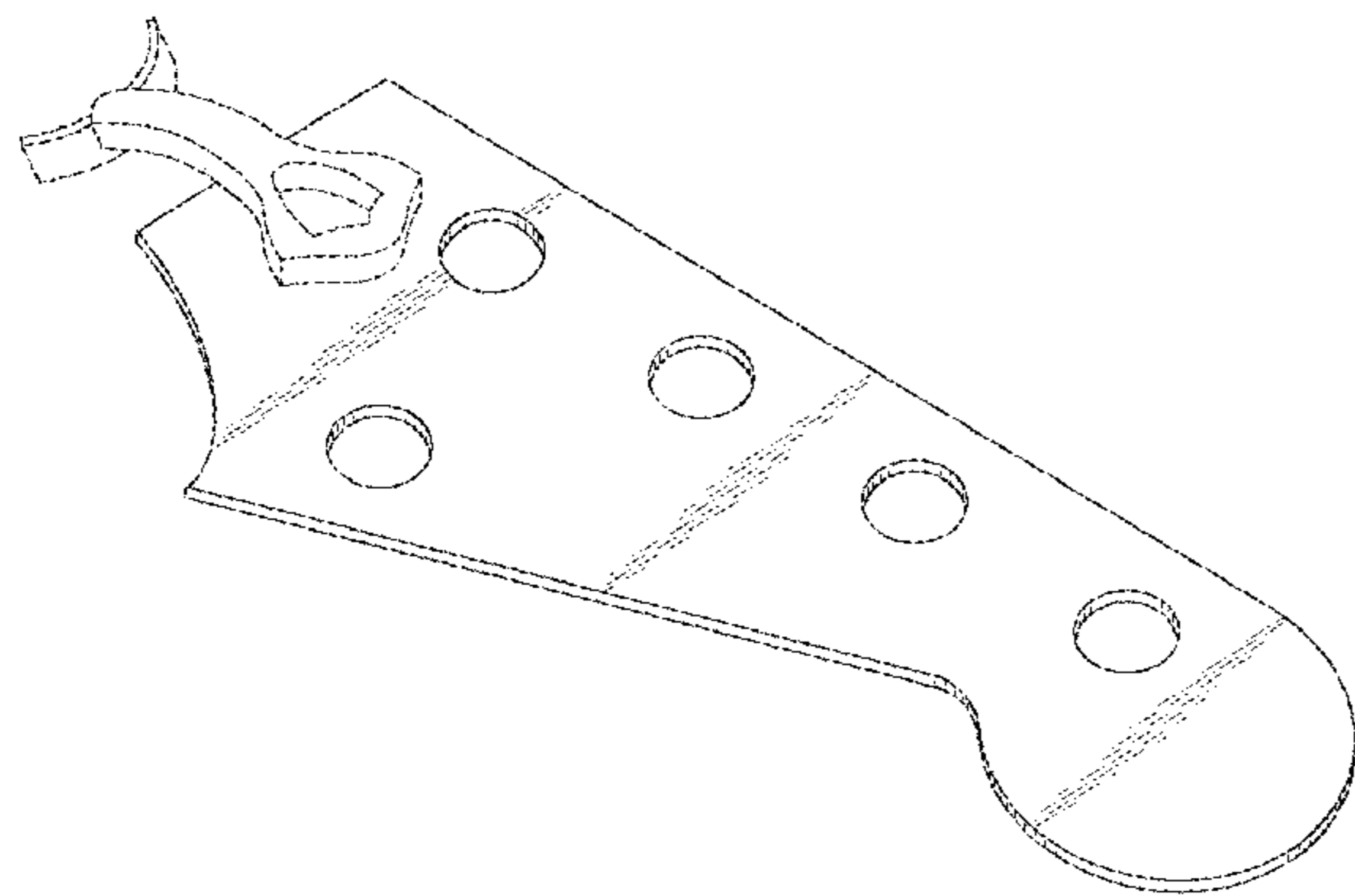
(57) **CLAIM**

The ornamental design for the fan blade, as shown and
described.

DESCRIPTION

FIG. 1 illustrates a perspective view of a fan blade with a portion of a ceiling fan arm shown in broken lines.
 FIG. 2 illustrates a front view of FIG. 1, but shown without the portion of a ceiling fan arm.
 FIG. 3 illustrates a left side view thereof.
 FIG. 4 illustrates a top view thereof.
 FIG. 5 illustrates a right side view thereof.
 FIG. 6 illustrates a bottom view thereof.
 FIG. 7 illustrates a rear view thereof.
 FIG. 8 illustrates a perspective view of another embodiment of a fan blade with a portion of a ceiling fan arm shown in broken lines.
 FIG. 9 illustrates a front view of FIG. 8, but shown without the portion of a ceiling fan arm.
 FIG. 10 illustrates a left side view thereof.
 FIG. 11 illustrates a top view thereof.
 FIG. 12 illustrates a right side view thereof.
 FIG. 13 illustrates a bottom view thereof.
 FIG. 14 illustrates a rear view thereof.
 FIG. 15 illustrates a perspective view of another embodiment of a fan blade with a portion of a ceiling fan arm shown in broken lines.
 FIG. 16 illustrates a front view of FIG. 15, but shown without the portion of a ceiling fan arm.
 FIG. 17 illustrates a left side view thereof.
 FIG. 18 illustrates a top view thereof.
 FIG. 19 illustrates a right side view thereof.
 FIG. 20 illustrates a bottom view thereof; and,
 FIG. 21 illustrates a rear view thereof.
 The broken lines shown in FIGS. 1, 8 and 15 illustrate environmental structure, and the broken lines in the remaining views illustrate portions of the fan blade. None of the broken lines form part of the claimed design.

1 Claim, 6 Drawing Sheets



(56)

References Cited

U.S. PATENT DOCUMENTS

D340,974 S	11/1993	Davis, Jr.	
D344,129 S	2/1994	Markwardt	
D365,874 S	1/1996	Kuo	
D373,185 S	8/1996	Tseng	
D373,628 S	9/1996	DiSandro	
D374,715 S *	10/1996	DiPasquale	D23/377
D382,953 S	8/1997	Kuo	
D398,980 S	9/1998	Pearce	
D420,733 S	2/2000	Chen	
D477,072 S *	7/2003	Johnson	D23/413
D485,609 S	1/2004	Tai	
D489,124 S *	4/2004	Young	D23/377
D489,447 S *	5/2004	Young	D23/413
D510,624 S	10/2005	Graham	
D512,138 S	11/2005	Clymer	
D549,813 S	8/2007	Gajewski	
D557,787 S	12/2007	Gajewski	
D596,733 S	7/2009	Kihara	
D671,635 S	11/2012	Pan	
2008/0253896 A1 *	10/2008	Walls	F04D 19/005 416/223 R

OTHER PUBLICATIONS

Document entitled “Multi-colored electric guitar shaped ceiling fan design”, downloaded from <https://www.etsy.com/listing/>

105593639/m multi-colored-electric-guitar-shaped on May 8, 2017. Document entitled “fanbladeguy | eBay”, downloaded from http://www.ebay.com/sch/m.html?_odkw=&_ssn=thefanbladeguy&item=121689421638&_osacat=0&ssPageName=STRK%3AMEBIDX%3AIT&_from=R40&_trksid=p2046732.m570.I1313.TR11.TRC2.A0.H0.Xguitar on May 8, 2017.

Document entitled “Classy Electric Guitar Shaped Ceiling Fan Blades | eBay”, downloaded from http://www.ebay.com/itm/121689421638?_trksid=p2055119.m1438.I2649&ssPageName=STRK%3AMEBIDX%3AIT on May 3, 2017.

Document entitled “New Rock N Roll Guitar 42 [inch] Ceiling Fan Blades Only | eBay”, downloaded from http://www.ebay.com/itm/NewROCKNROLLGUITAR42CeilingFanBLADESONLY/311860428943?hash=item489c54808f:m:mSlso5ZGcp_gCc5cKxOn4Jw on May 8, 2017.

Document entitled “Custom~Classic Music Room Ceiling Fan~Piano Flute Violin | eBay”, downloaded from http://www.ebay.com/itm/292088452690?_trksid=p2055119.m1438.I2649&ssPageName=STRK%3AMEBIDX%3AIT on May 8, 2017.

Document entitled “Jamaican Jamaica Flag Electric Guitar Ceiling Fan Blades Man Cave Bedroom decor”, downloaded from <http://www.ebay.com/itm/JamaicanJamaicaFlagElectricGUITARceilingFan-BLADESMANcaveBedroomdecor/281159935855?nma=true&si=qFOS%252BSaJ0SyaMVMTYI5V%252FDkSxTo%253D&orig..> on May 8, 2017.

JamaicanJamaicaFlagElectricGUITARceilingFan-BLADESMANcaveBedroomdecor/281159935855?nma=true&si=qFOS%252BSaJ0SyaMVMTYI5V%252FDkSxTo%253D&orig.. on May 8, 2017.

* cited by examiner

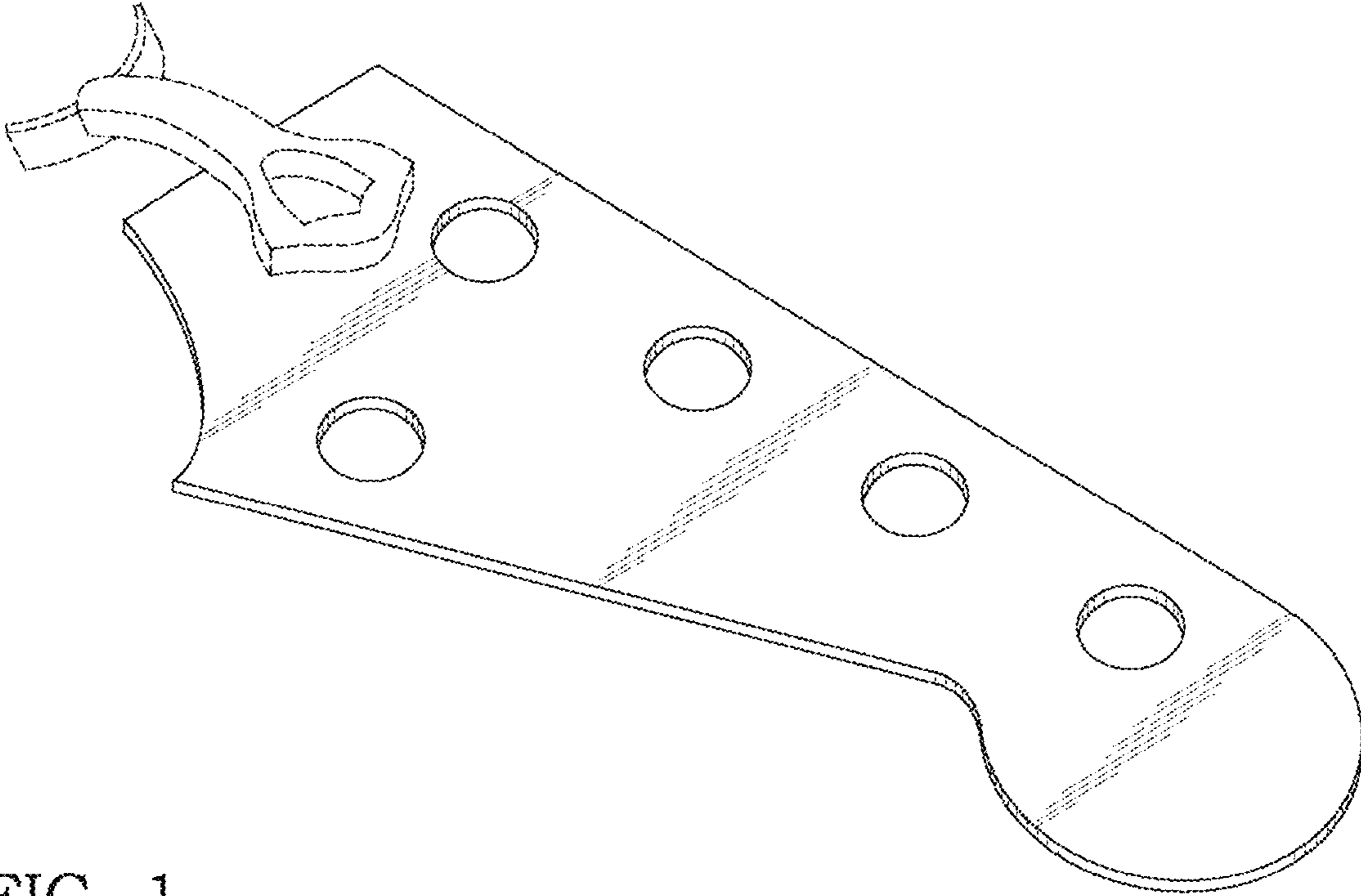


FIG. 1

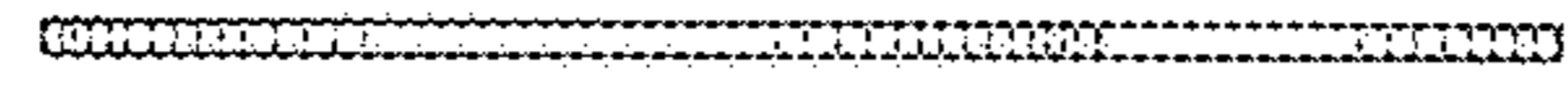


FIG. 2

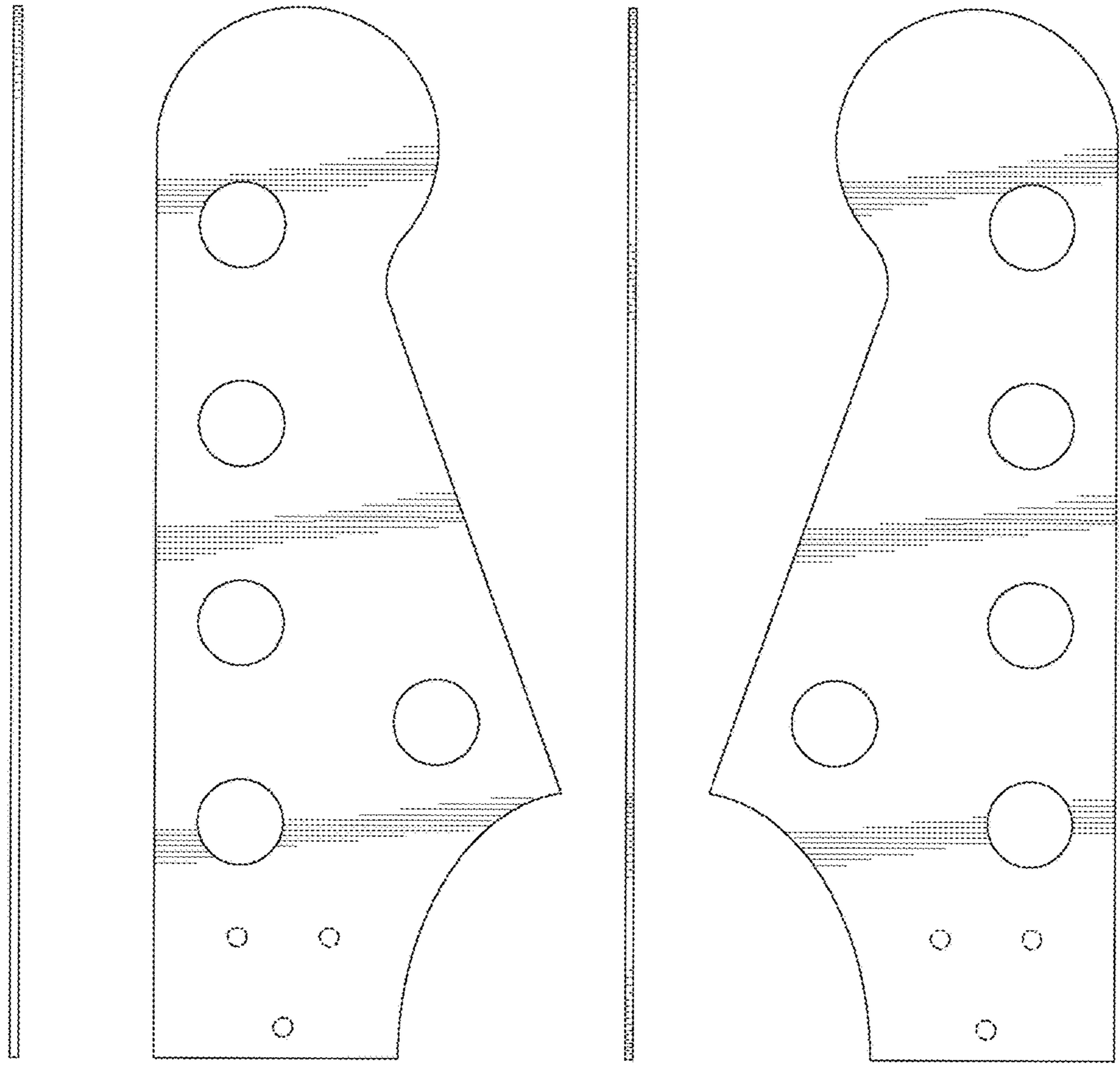


FIG. 3

FIG. 4

FIG. 5

FIG. 6

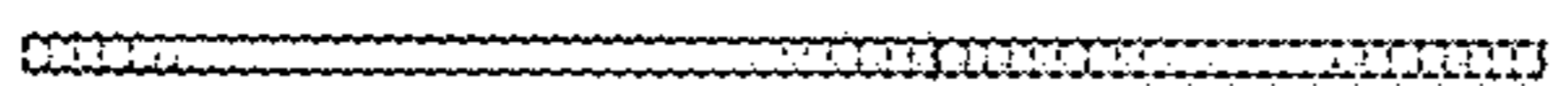


FIG. 7

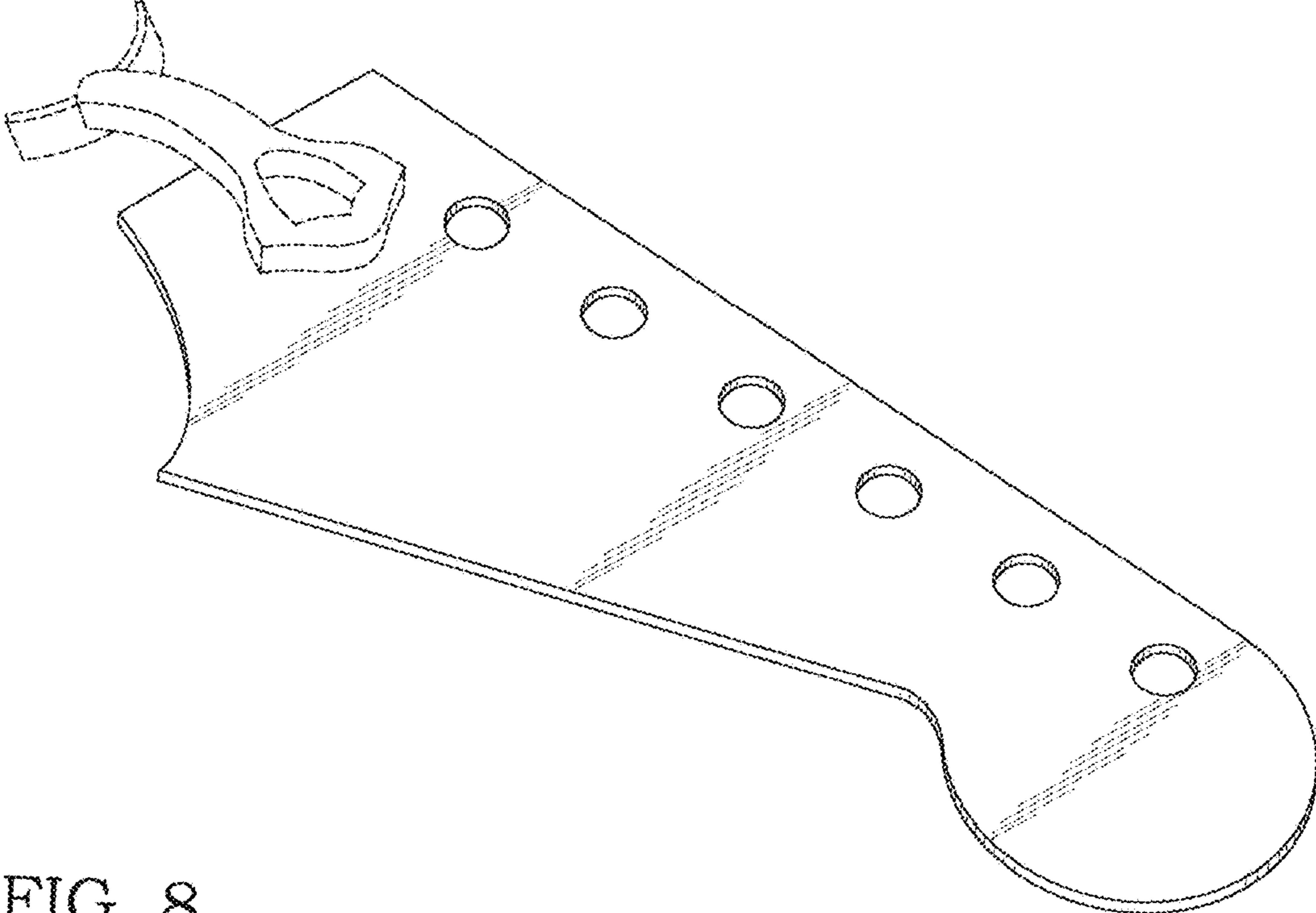


FIG. 8

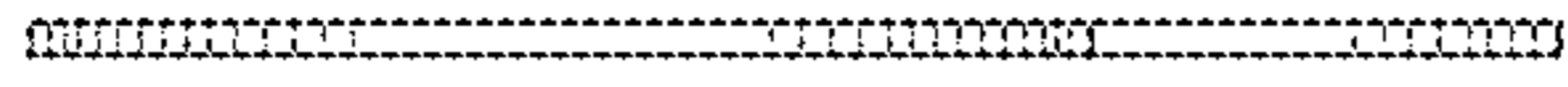


FIG. 9

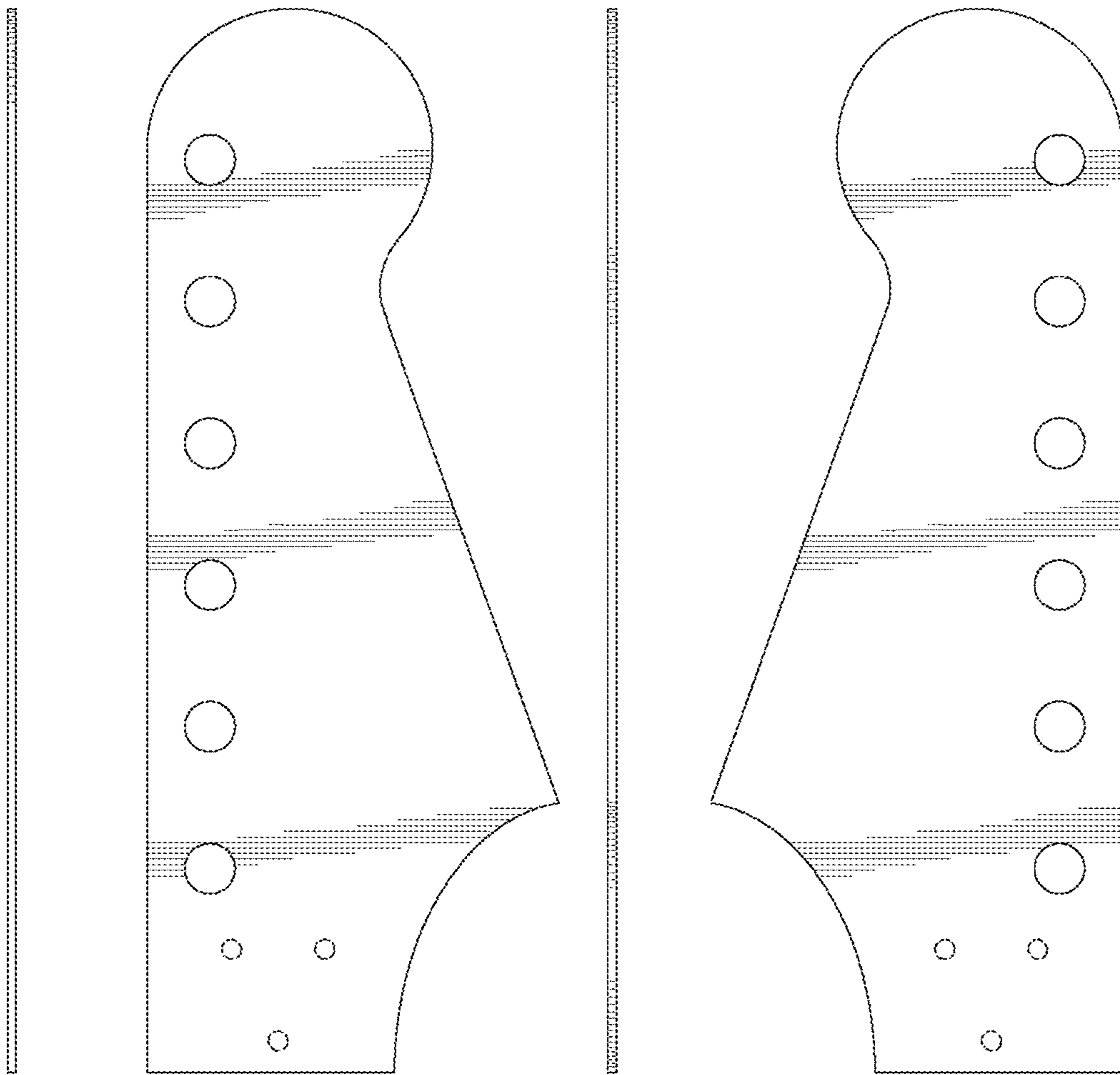


FIG. 10 FIG. 11 FIG. 12 FIG. 13

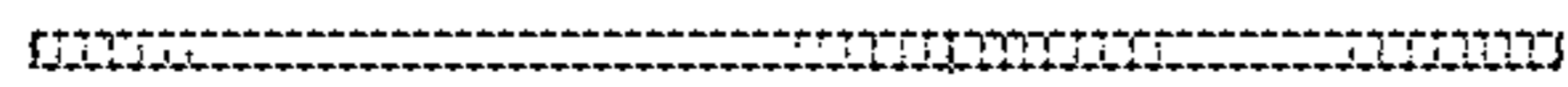


FIG. 14

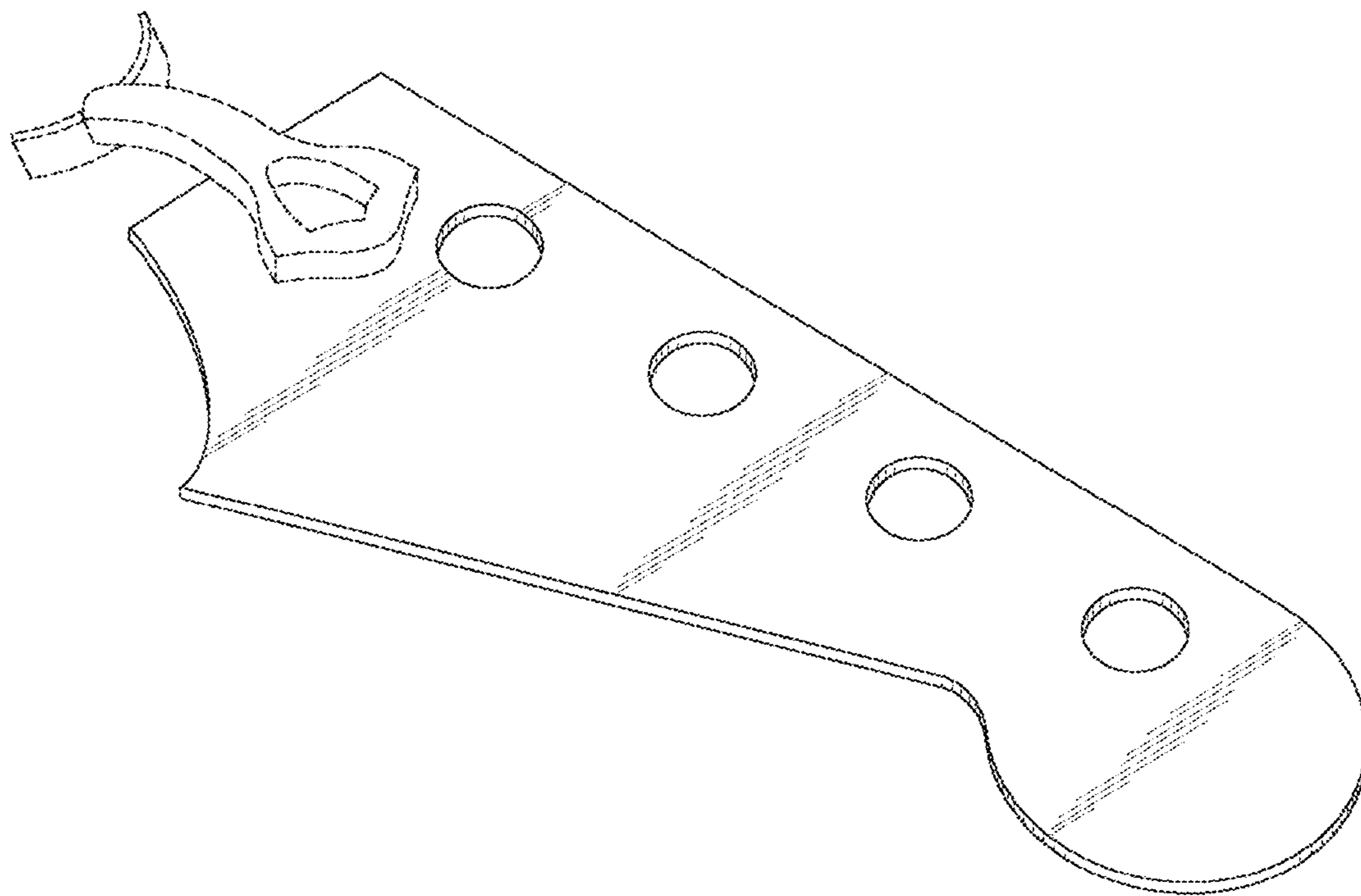


FIG. 15

FIG. 16

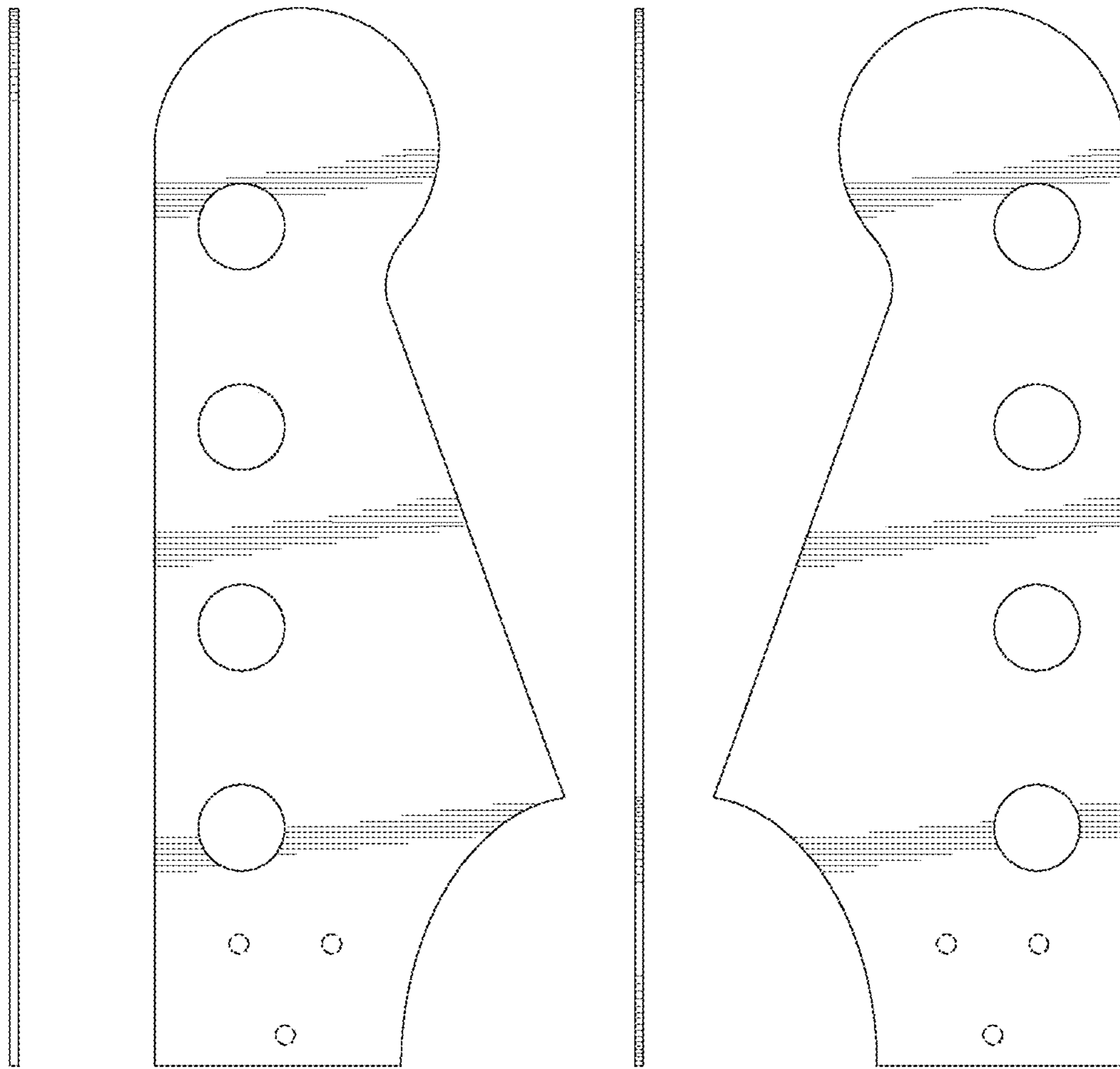


FIG. 17

FIG. 18

FIG. 19

FIG. 20

FIG. 21