



US00D828909S

(12) **United States Design Patent** (10) **Patent No.:** **US D828,909 S**  
**Liu et al.** (45) **Date of Patent:** **\*\* Sep. 18, 2018**

(54) **SHOWER MIXER**  
(71) Applicant: **Phoenix Industries Pty Ltd,**  
Bayswater, Victoria (AU)  
(72) Inventors: **Ban Hsi Liu,** Bayswater (AU); **Stephen**  
**Frank Pedulla,** Bayswater (AU);  
**Andrew John Cocks,** Bayswater (AU)  
(73) Assignee: **Phoenix Industries Pty Ltd.,**  
Bayswater (AU)  
(\*\*) Term: **15 Years**  
(21) Appl. No.: **29/605,554**  
(22) Filed: **May 26, 2017**  
(51) **LOC (11) Cl.** ..... **23-01**  
(52) **U.S. Cl.**  
USPC ..... **D23/254**  
(58) **Field of Classification Search**  
USPC ..... D23/250, 254, 238-24, 249; D8/300,  
D8/308, 352-353, 312  
CPC ..... Y10T 137/9464  
See application file for complete search history.

AU 314560 6/2007  
AU 314563 6/2007  
AU 321286 10/2008  
AU 328364 11/2009  
AU 328365 11/2009  
AU 334096 12/2010  
AU 336356 5/2011  
AU 336357 5/2011  
AU 337781 7/2011  
AU 337782 7/2011  
AU 344493 9/2012  
AU 344494 9/2012  
AU 350490 8/2013  
AU 355991 6/2014  
AU 355992 6/2014  
AU 355993 6/2014  
AU 355994 6/2014  
AU 357542 9/2014  
AU 357840 9/2014  
AU 357842 9/2014  
AU 357843 9/2014

\* cited by examiner

*Primary Examiner* — Robert A Delehanty  
(74) *Attorney, Agent, or Firm* — Womble Bond Dickinson  
(US) LLP

(57) **CLAIM**

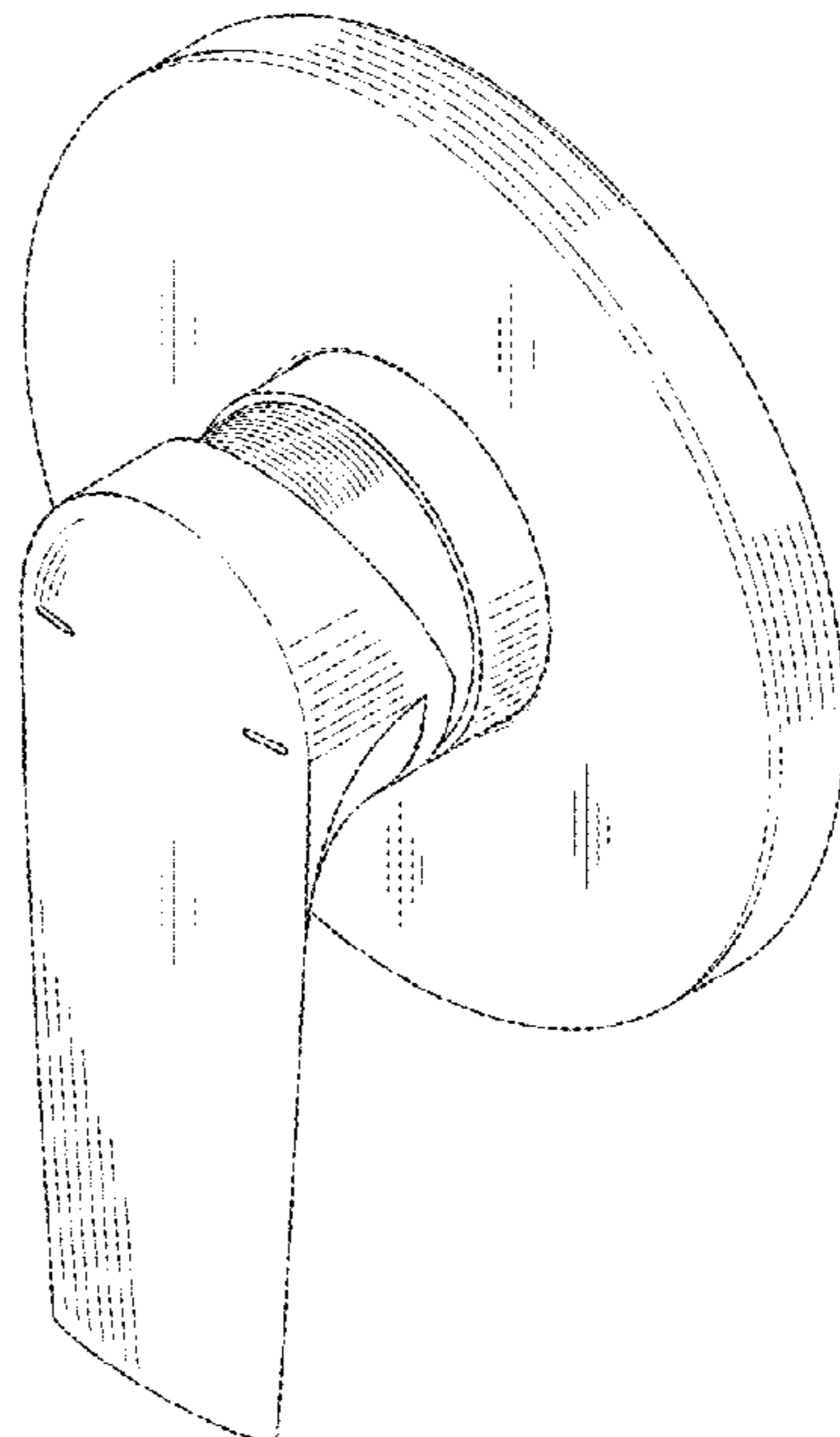
The ornamental design for a shower mixer, as shown and described.

**DESCRIPTION**

FIG. 1 is a front perspective view of our design;  
FIG. 2 is a top view thereof;  
FIG. 3 is a left side view thereof;  
FIG. 4 is a front view thereof;  
FIG. 5 is a right side view thereof; and,  
FIG. 6 is a bottom view thereof.

**1 Claim, 2 Drawing Sheets**

(56) **References Cited**  
**U.S. PATENT DOCUMENTS**  
D580,525 S \* 11/2008 Citterio ..... D23/254  
D739,501 S \* 9/2015 Flowers ..... D23/252  
D740,395 S \* 10/2015 Flowers ..... D23/252  
**FOREIGN PATENT DOCUMENTS**  
AU 308198 7/2006  
AU 308199 7/2006  
AU 308201 7/2006  
AU 308202 7/2006



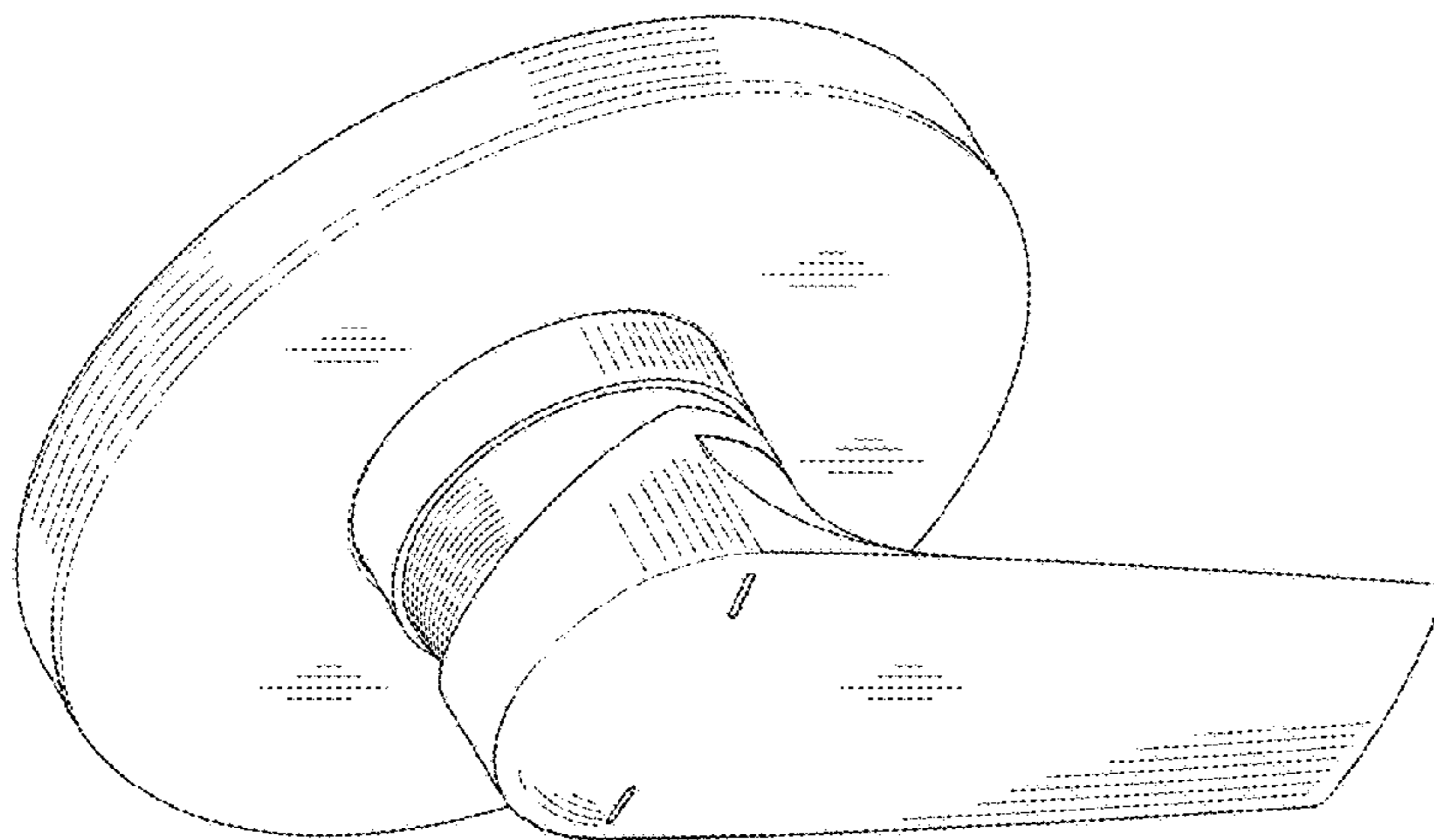


Figure 1

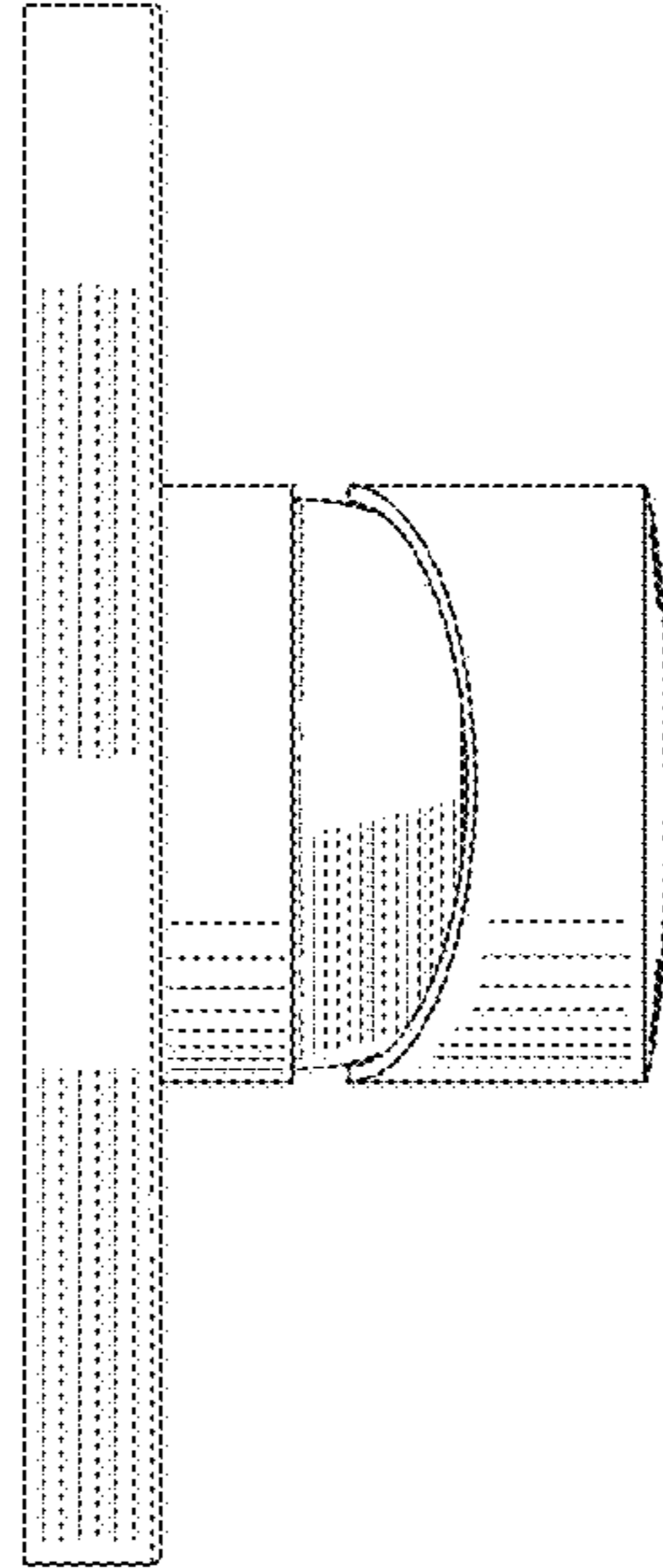


Figure 2

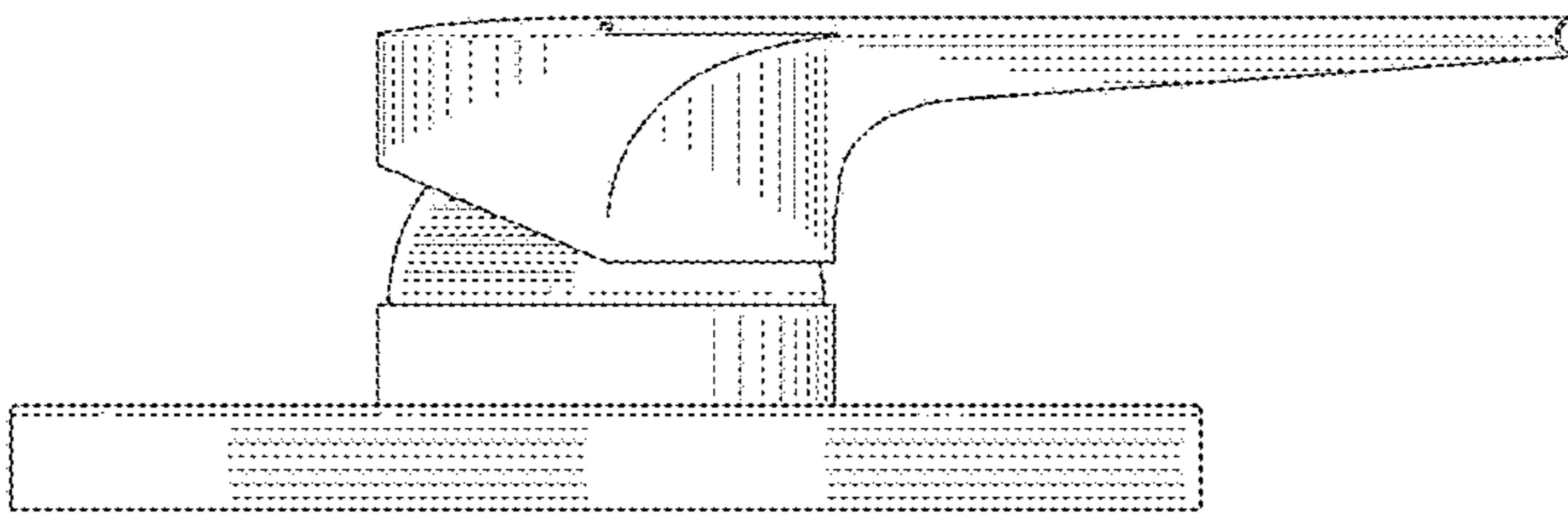


Figure 3

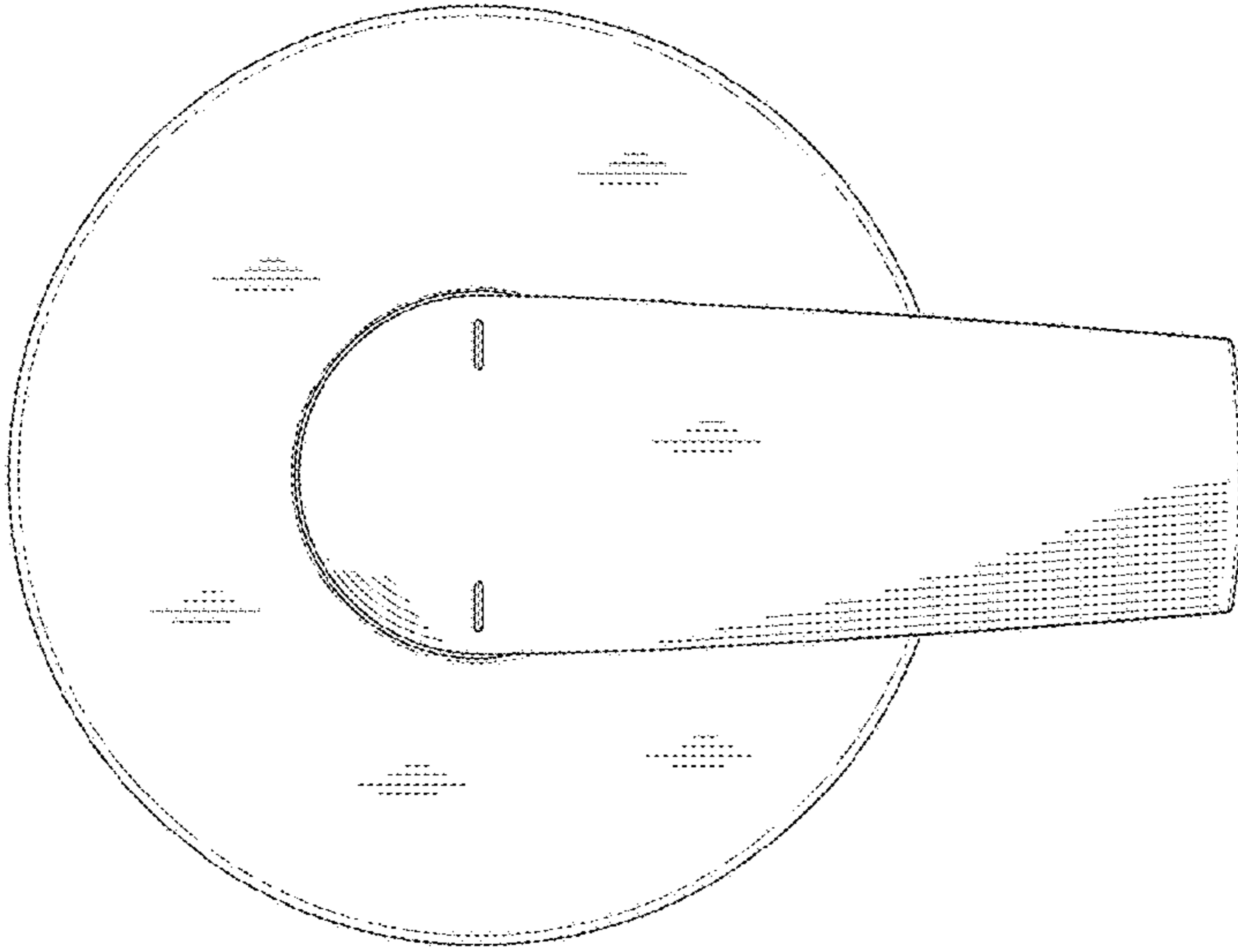


Figure 4

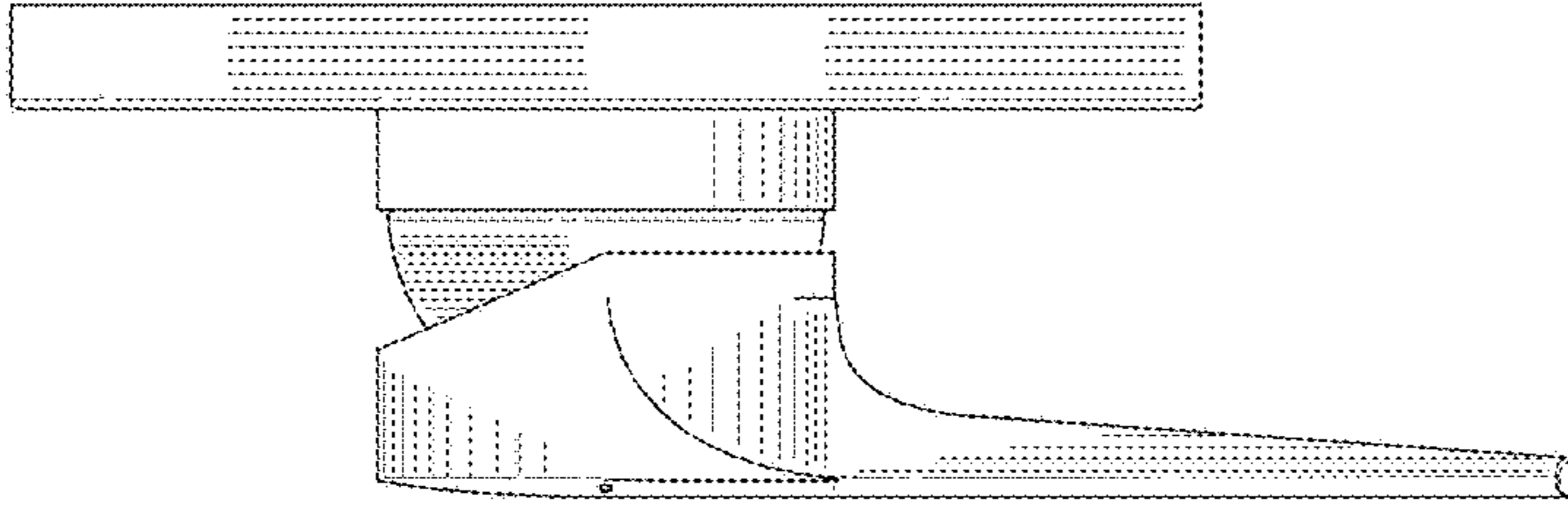


Figure 5

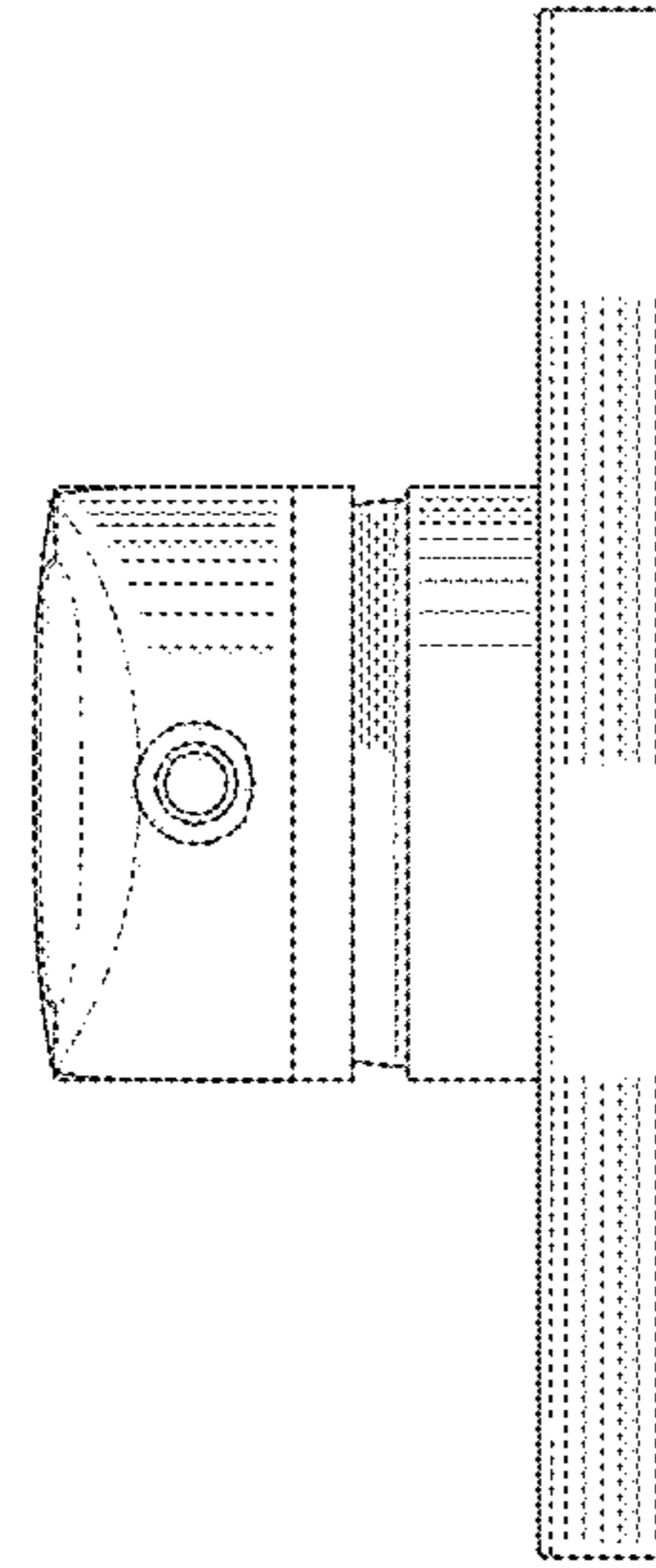


Figure 6