



US00D828907S

(12) **United States Design Patent**  
**Ceng**

(10) **Patent No.:** **US D828,907 S**

(45) **Date of Patent:** **\*\* Sep. 18, 2018**

(54) **FAUCET**

(71) Applicant: **Quanzhou Lianchuang kitchenware and toiletry Co., Ltd.**, Fujian (CN)

(72) Inventor: **Tiansheng Ceng**, Fujian (CN)

(\*\*) Term: **15 Years**

(21) Appl. No.: **29/590,329**

(22) Filed: **Jan. 9, 2017**

(51) **LOC (11) Cl.** ..... **23-01**

(52) **U.S. Cl.**  
USPC ..... **D23/238**

(58) **Field of Classification Search**  
USPC ..... D23/250, 254, 238-242, 249, 255, 257;  
D8/300, 308  
CPC ..... Y10T 137/9464  
See application file for complete search history.

(56) **References Cited**

**U.S. PATENT DOCUMENTS**

D580,023 S *	11/2008	Gilbert	.....	D23/255
D585,112 S *	1/2009	Kohler, Jr.	.....	D23/238
8,256,463 B2 *	9/2012	Farag	.....	E03C 1/04
				137/801
D693,906 S *	11/2013	Zhang	.....	D23/238
D812,723 S *	3/2018	Georgeson	.....	D23/252

\* cited by examiner

*Primary Examiner* — Robert A Delehanty

(74) *Attorney, Agent, or Firm* — Prakash Nama; Global IP Services, PLLC

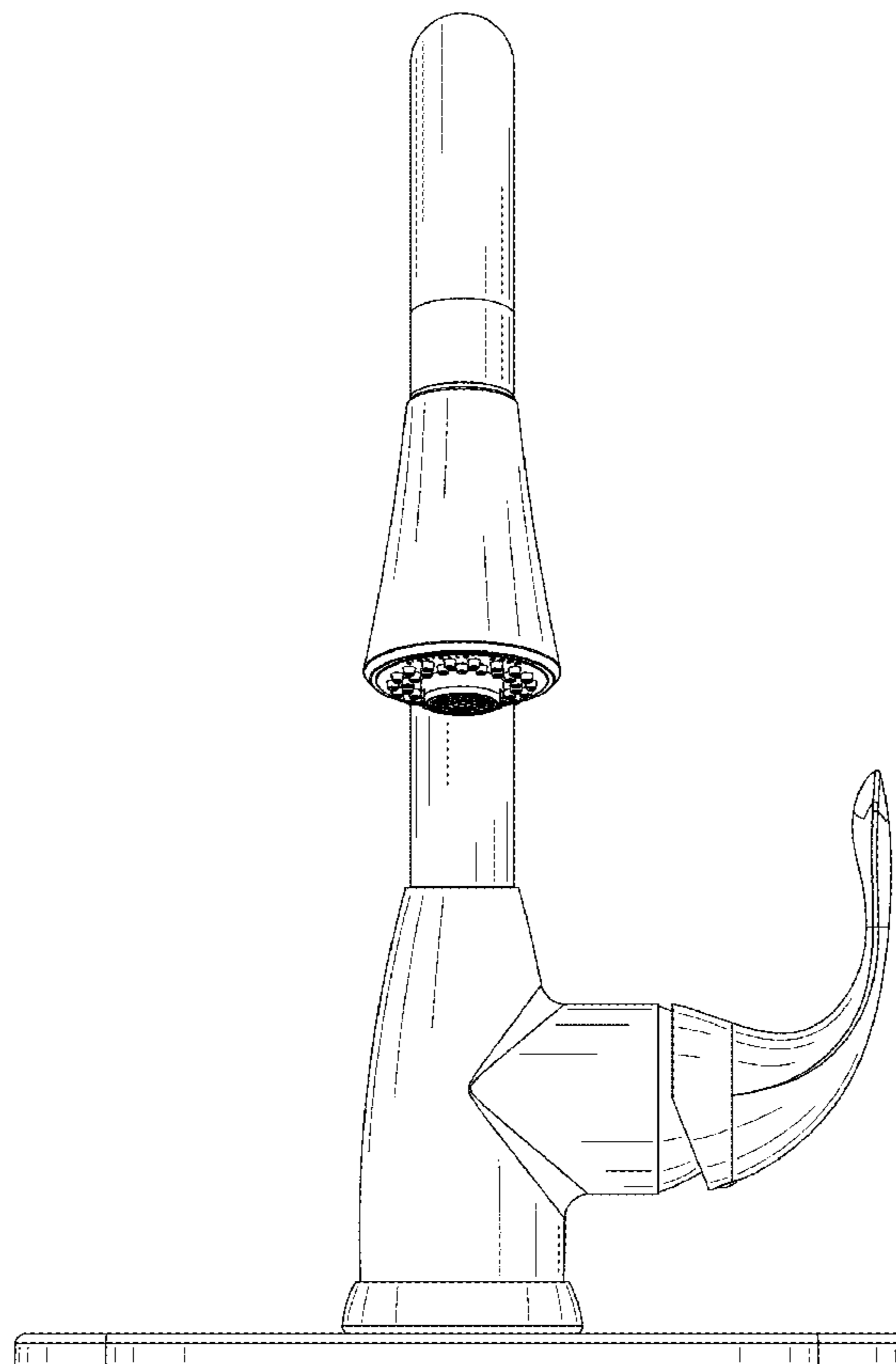
(57) **CLAIM**

The ornamental design for a faucet, as shown and described.

**DESCRIPTION**

FIG. 1 is a front elevational view of a faucet showing my new design;  
 FIG. 2 is a rear elevational view thereof;  
 FIG. 3 is a left side view thereof;  
 FIG. 4 is a right side view thereof;  
 FIG. 5 is a top plan view thereof;  
 FIG. 6 is a perspective view thereof;  
 FIG. 7 is the same nozzle portion of the same faucet shown in FIG. 1, illustrated separately and in an enlarged scale for clarity of illustration;  
 FIG. 8 is a left side view of the nozzle portion shown in FIG. 7;  
 FIG. 9 is a right side view of the nozzle portion shown in FIG. 7;  
 FIG. 10 is a bottom plan view of the nozzle portion shown in FIG. 7; and,  
 FIG. 11 is a perspective view of the nozzle portion shown in FIG. 7.

**1 Claim, 11 Drawing Sheets**



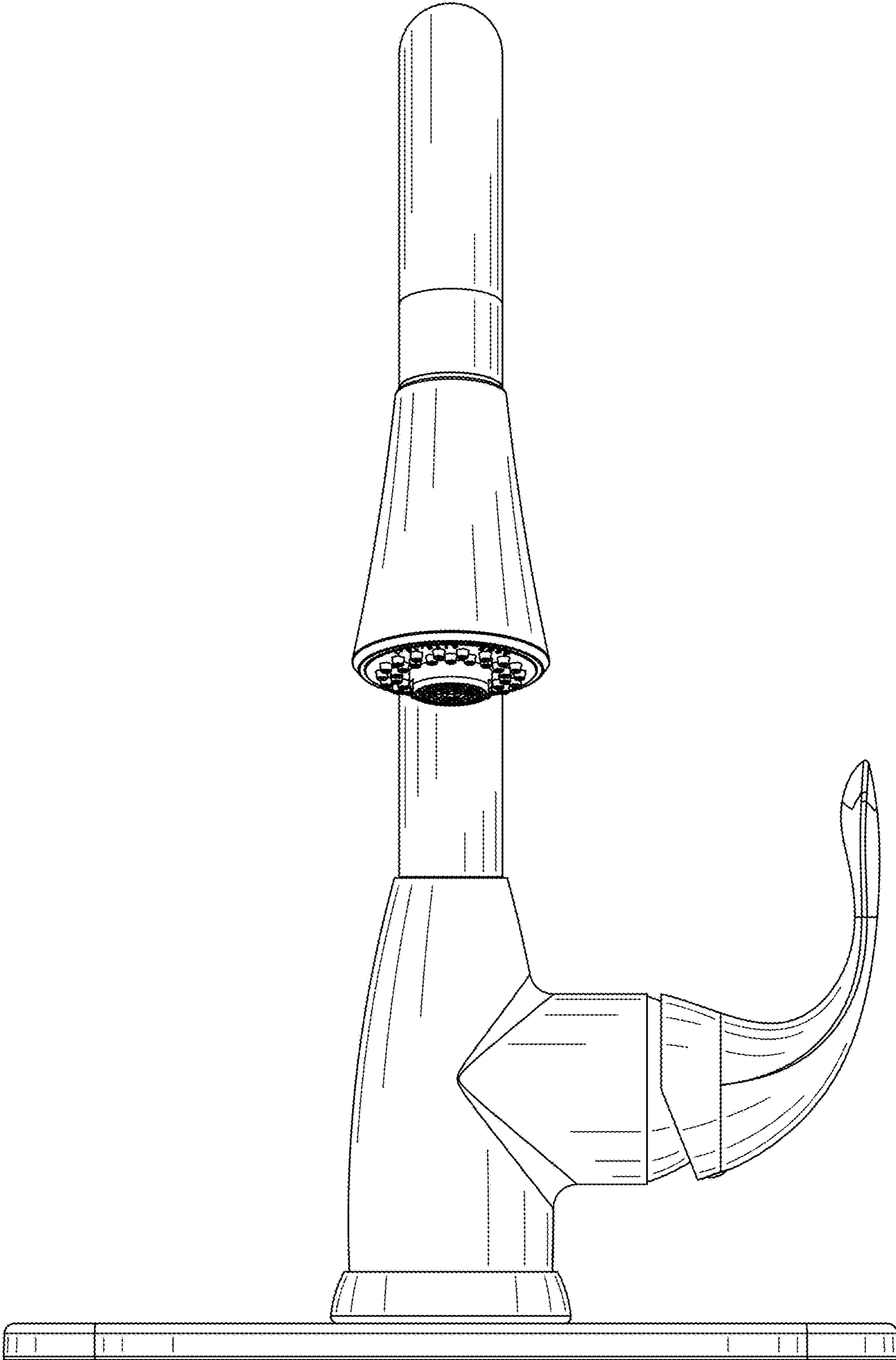


Fig. 1

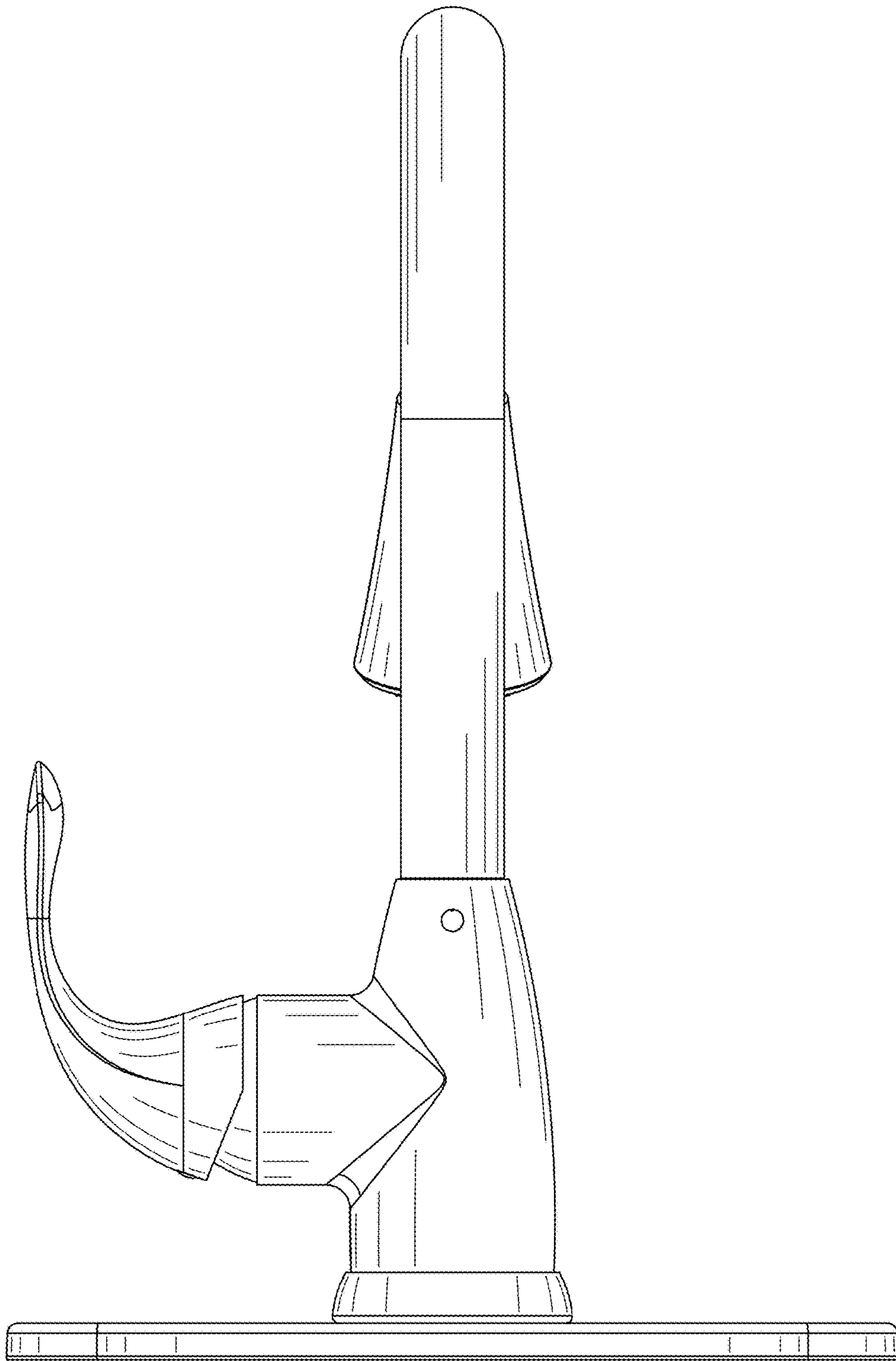


Fig. 2

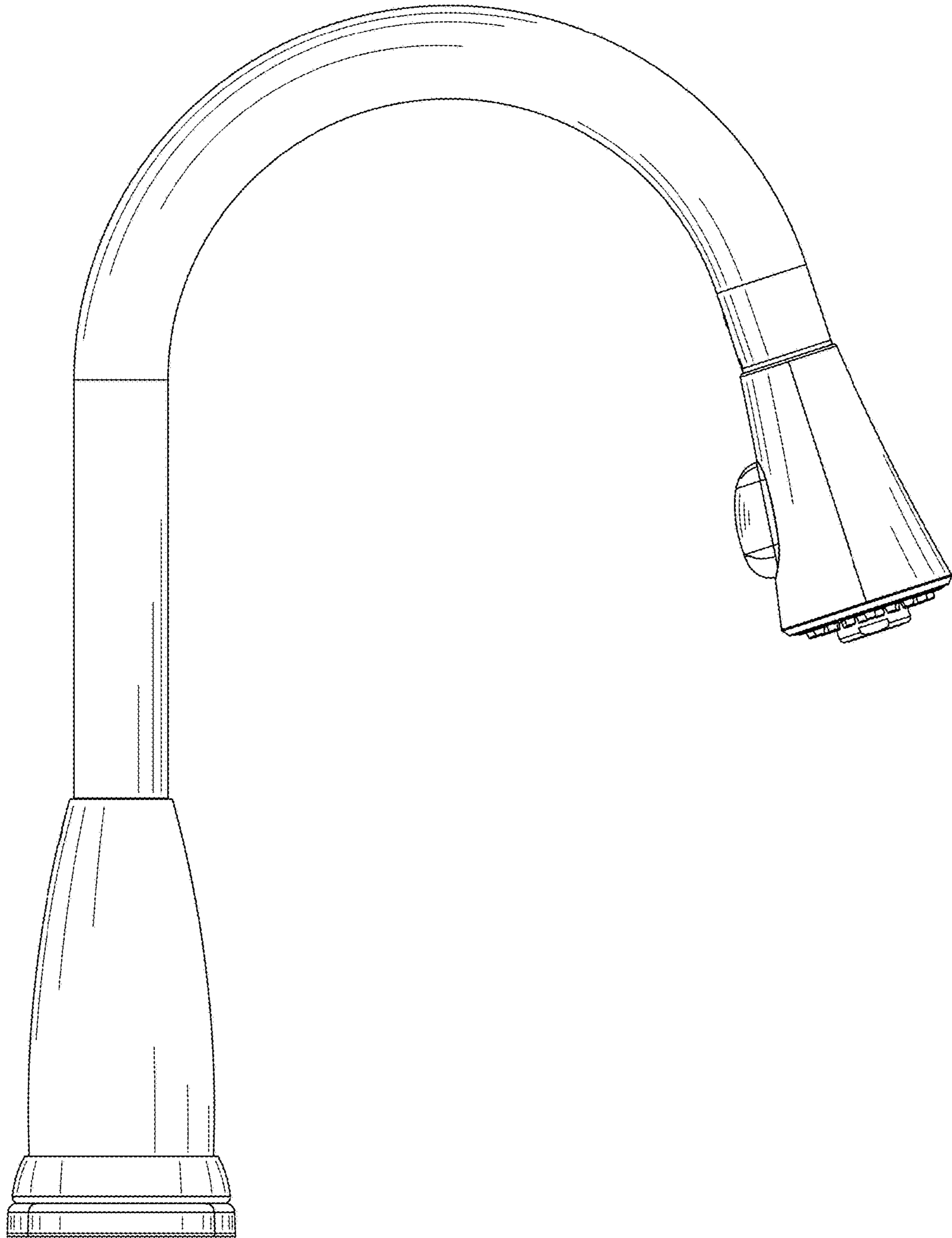


Fig. 3

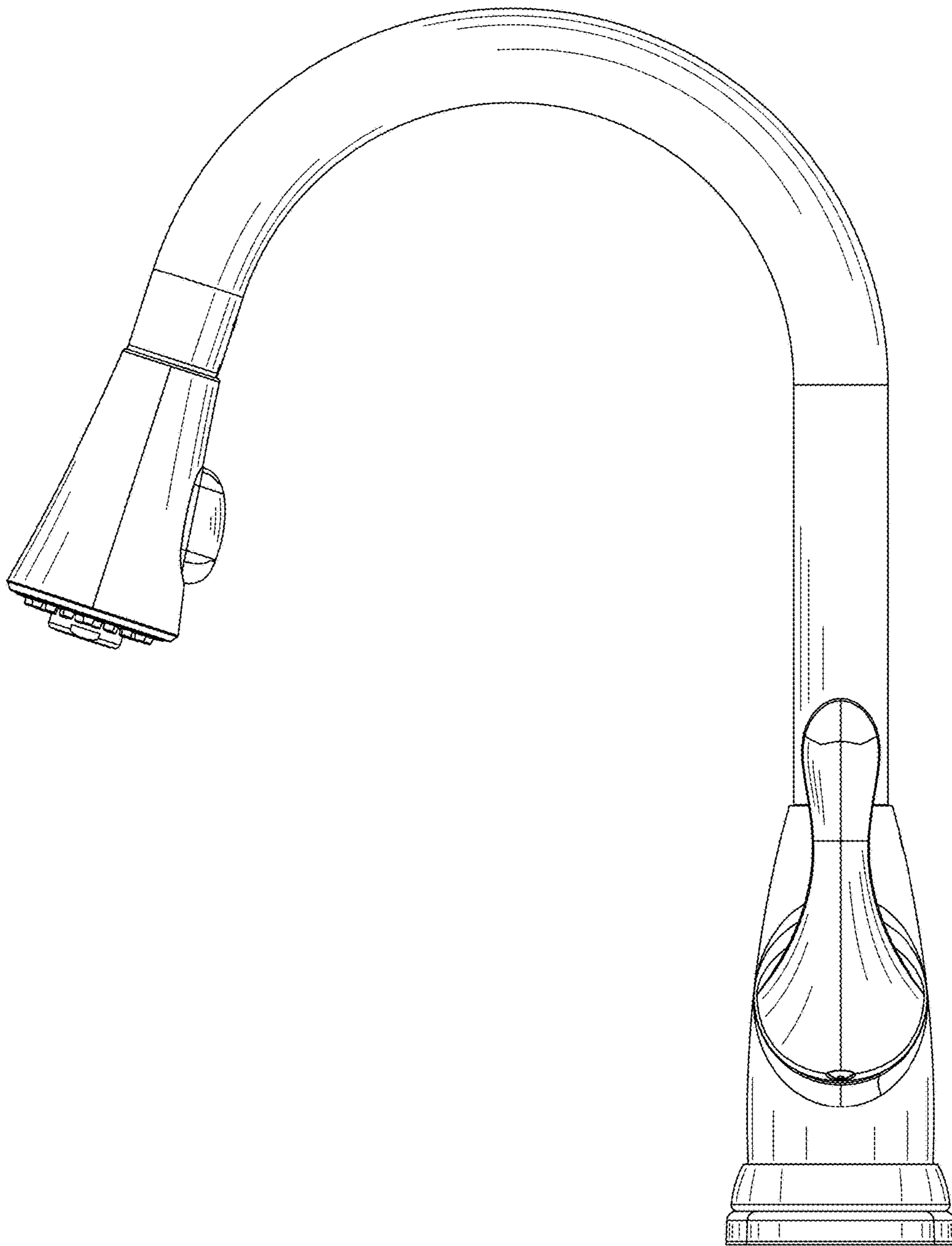


Fig. 4

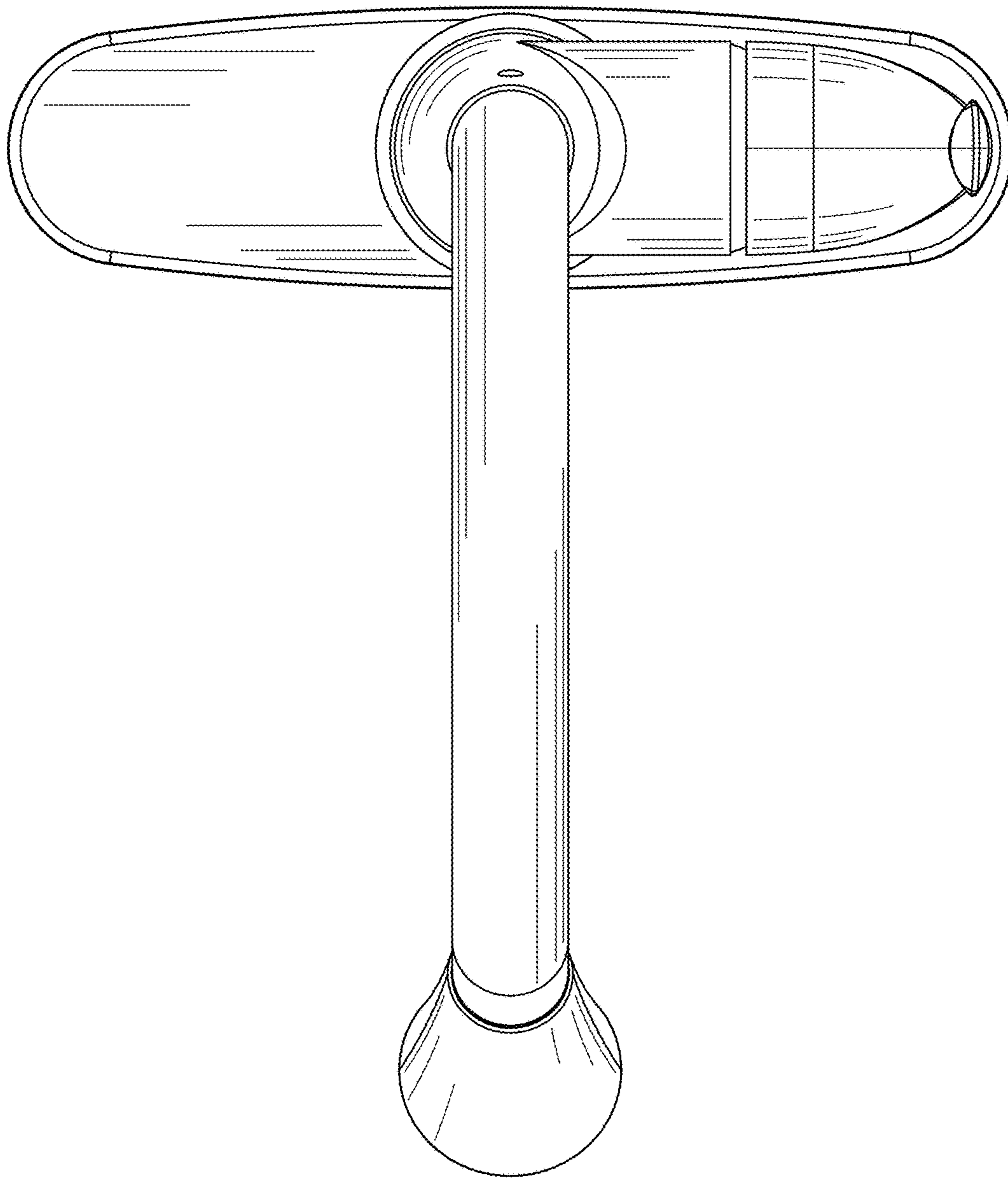


Fig. 5

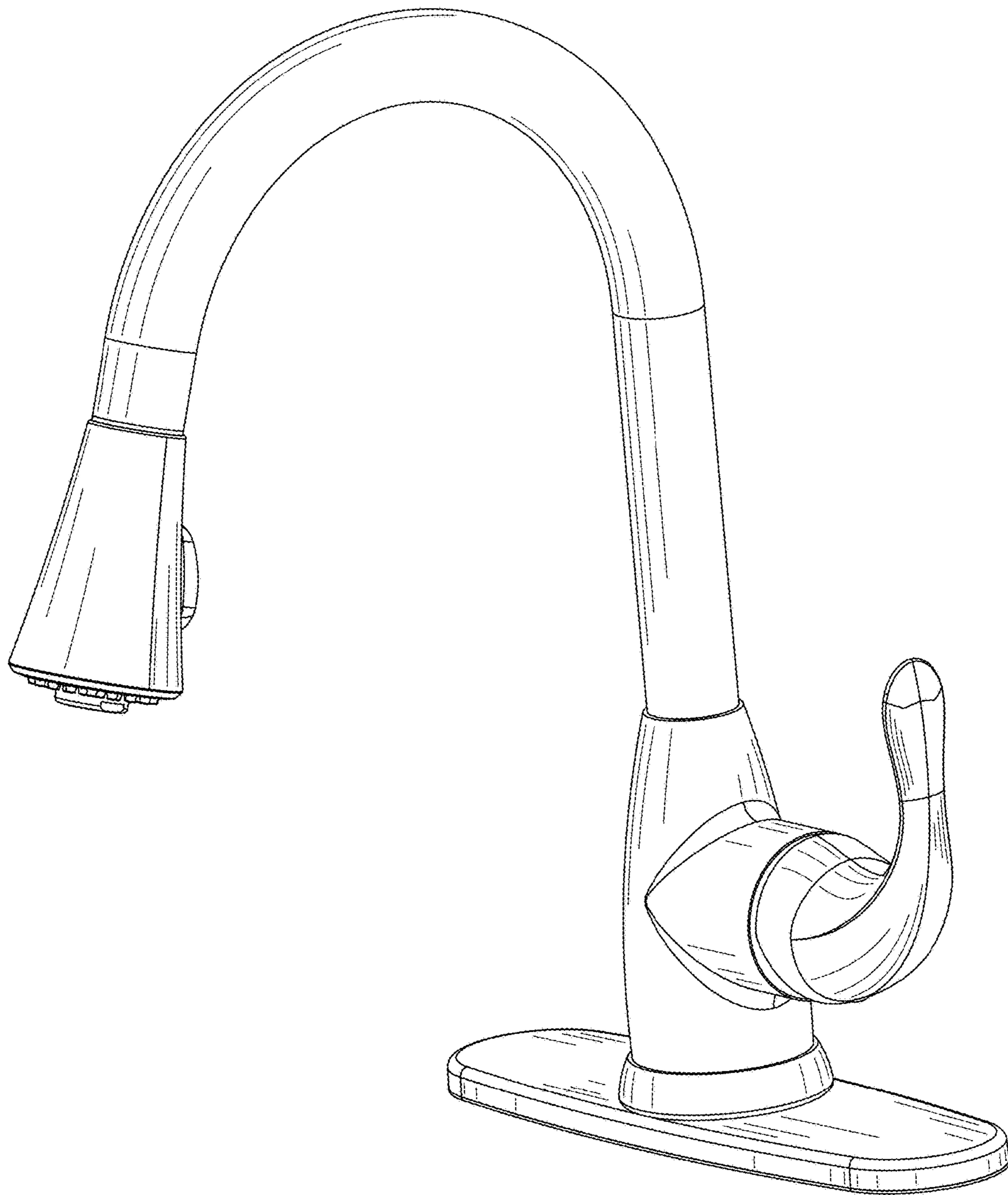


Fig. 6

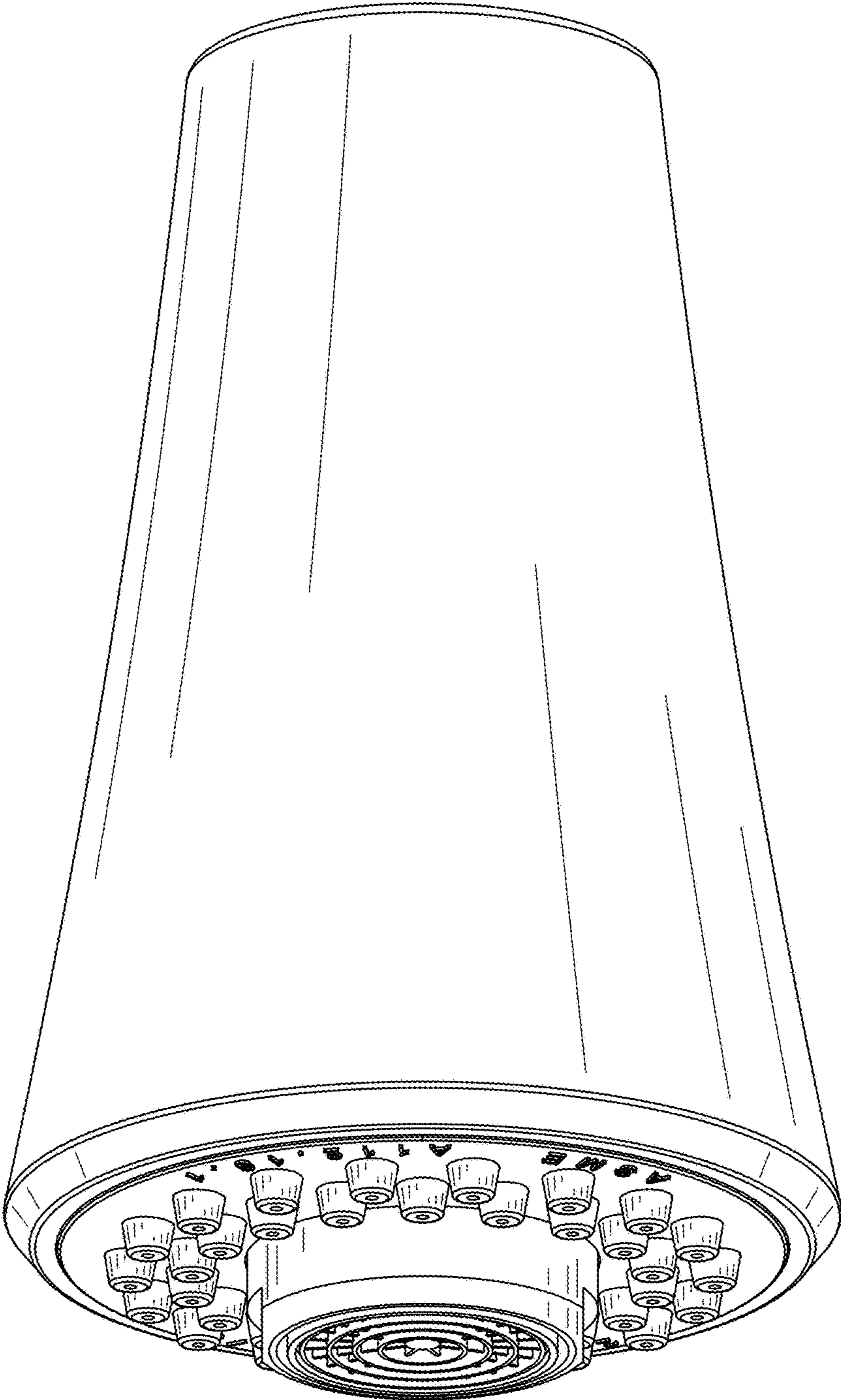


Fig. 7



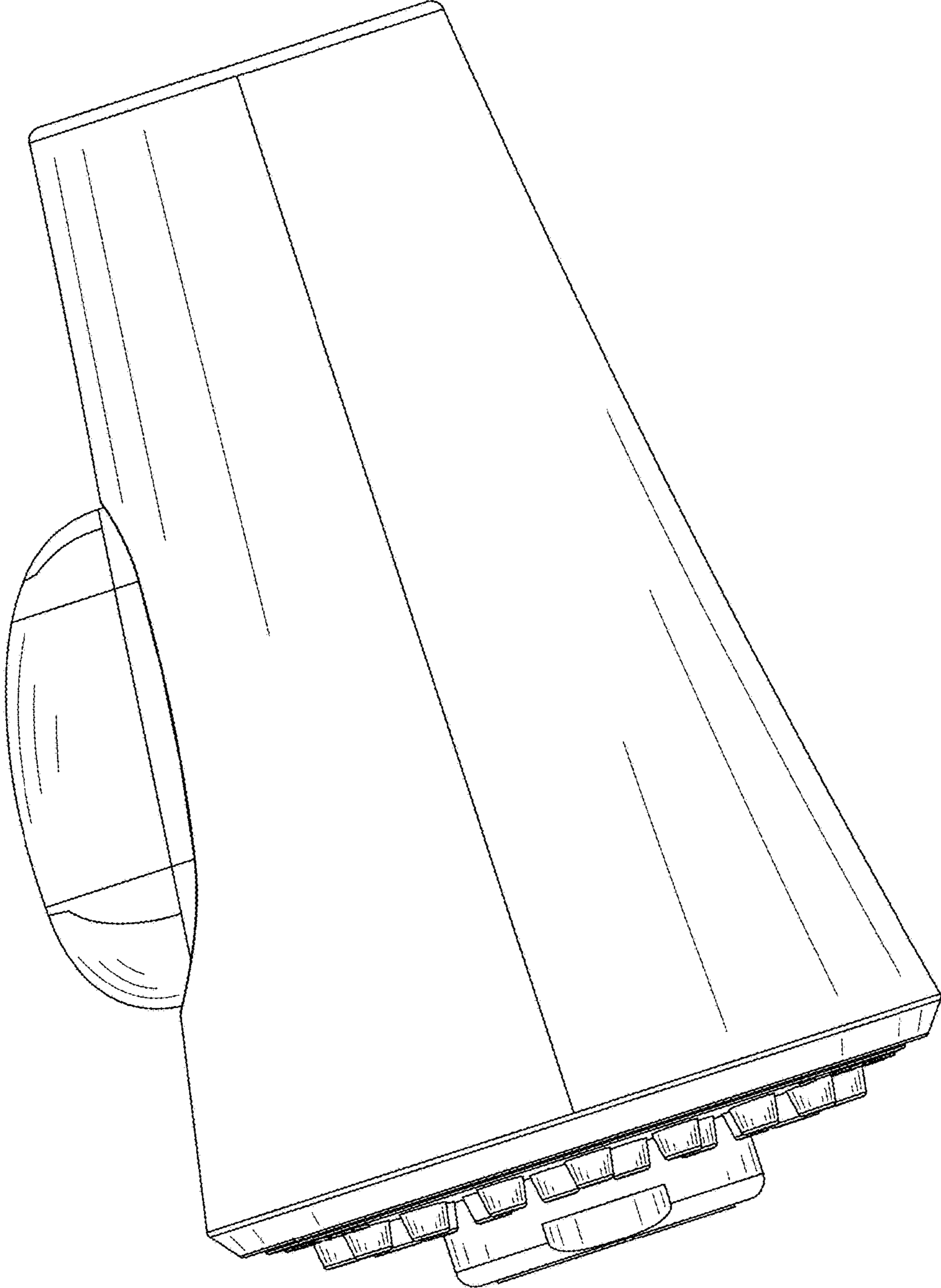


Fig. 8

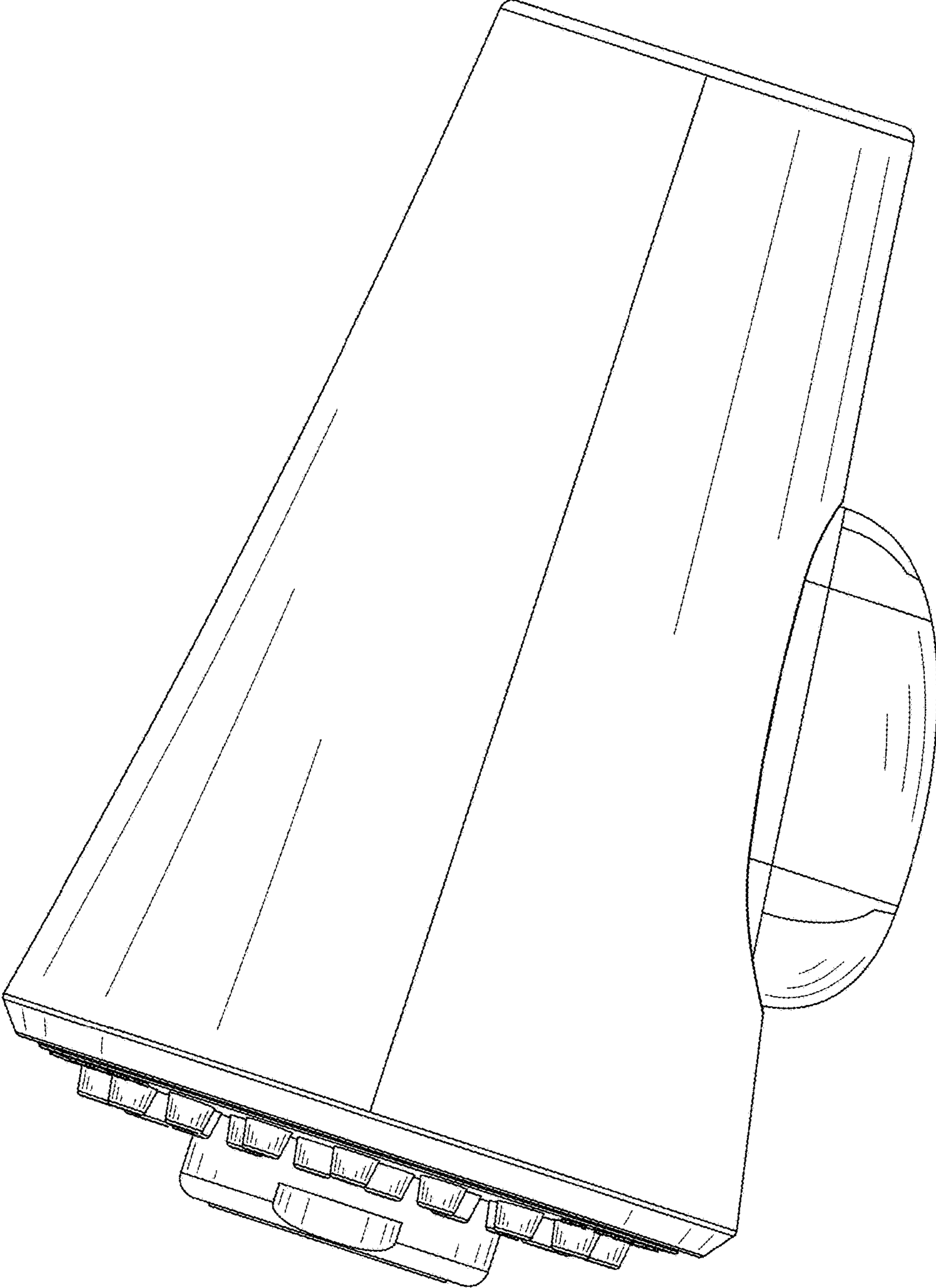


Fig. 9

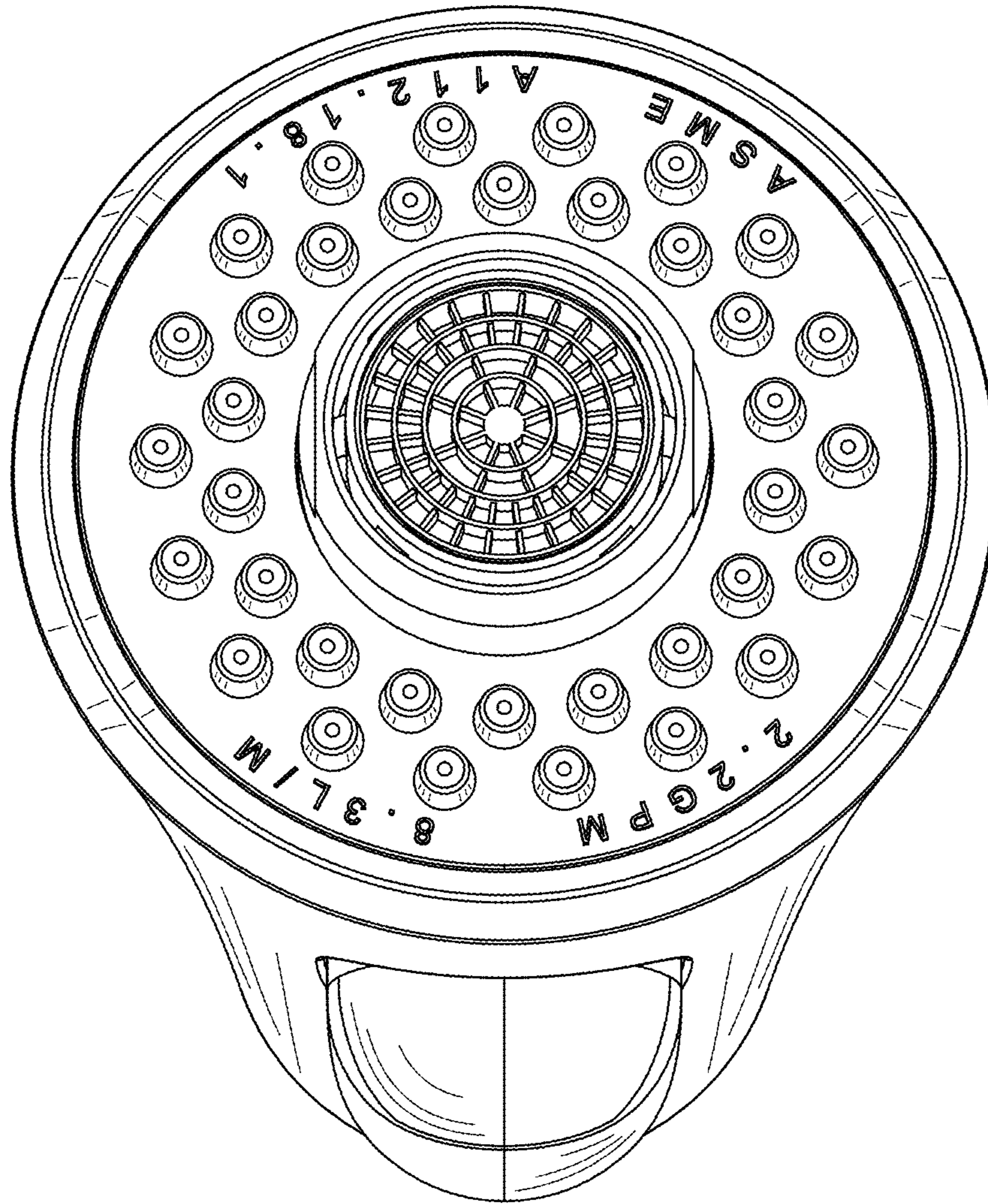


Fig. 10

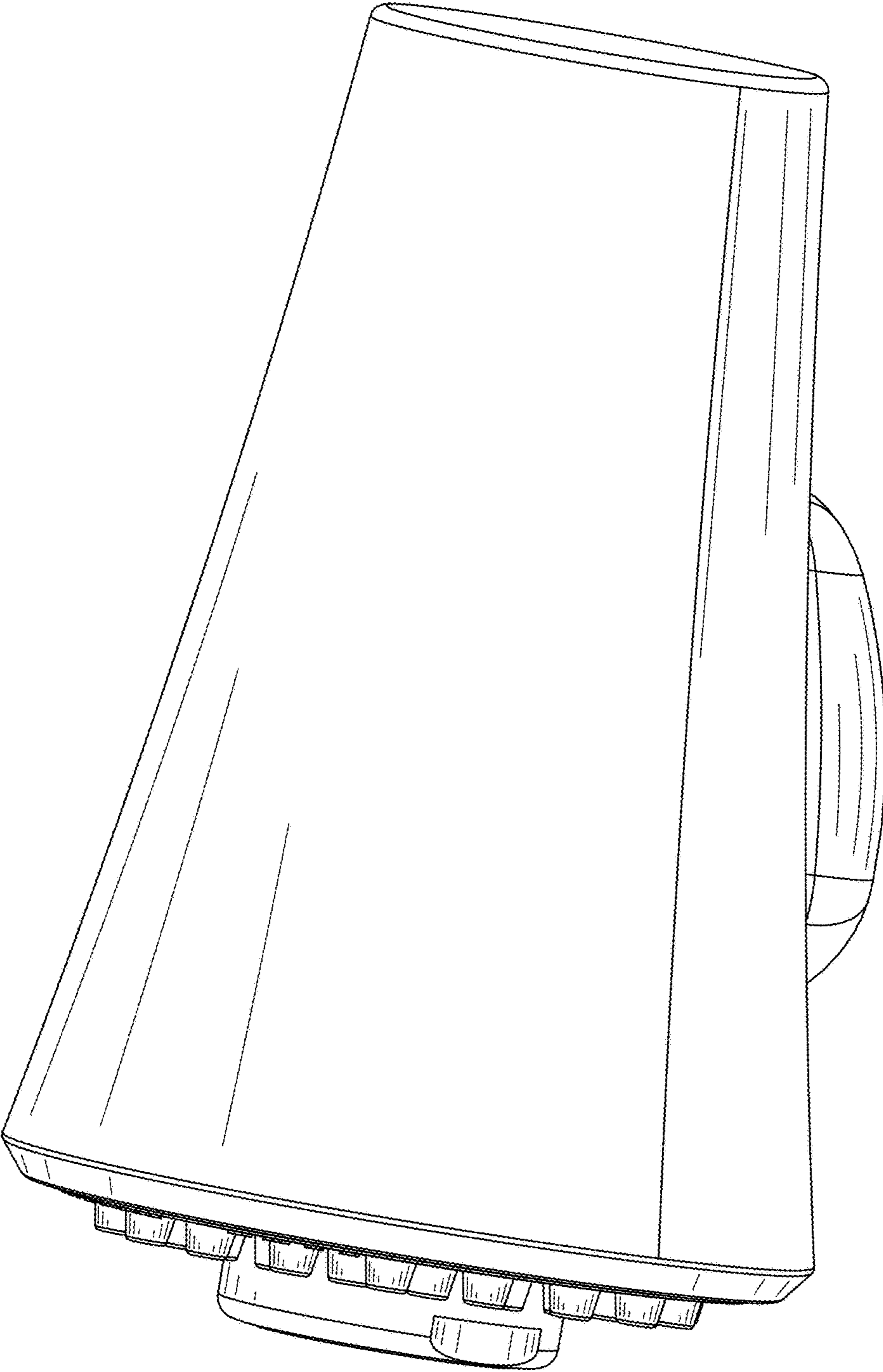


Fig. 11