



US00D828905S

(12) **United States Design Patent** (10) **Patent No.:** **US D828,905 S**  
**Schoenherr et al.** (45) **Date of Patent:** **\*\* Sep. 18, 2018**

(54) **OVERHEAD SHOWER**  
(71) Applicant: **Hansgrohe SE**, Schiltach (DE)  
(72) Inventors: **Tom Schoenherr**, Stuttgart (DE);  
**Matthias Oesterle**, Winterbach (DE);  
**Marco Flaig**, Stuttgart (DE)

D736,347 S \* 8/2015 Tan ..... D23/213  
D751,174 S \* 3/2016 Schoenherr ..... D23/213  
D757,895 S \* 5/2016 Schoenherr ..... D23/213  
D758,532 S \* 6/2016 Schoenherr ..... D23/213  
D765,818 S \* 9/2016 Schoenherr ..... D23/213  
D765,819 S \* 9/2016 Schoenherr ..... D23/213

(73) Assignee: **Hansgrohe SE**, Schiltach (DE)

FOREIGN PATENT DOCUMENTS  
CN 303913313 11/2016

(\*\*) Term: **15 Years**

OTHER PUBLICATIONS

(21) Appl. No.: **29/609,883**

Brochure—Dawn, Catalog 2012-2013, 6 pgs, Dawn, California USA, at least as early as Apr. 24, 2012.  
Brochure—ECH Shower 2010, 20 pgs, Foshan ECH Sanitary Ware Co. Ltd., Foshan City, Guangdong PRC, at least as early as May 26, 2010.

(22) Filed: **Jul. 6, 2017**

(30) **Foreign Application Priority Data**

Jan. 13, 2017 (EM) ..... 003622000-0005

(51) **LOC (11) Cl.** ..... **23-01**

(52) **U.S. Cl.**  
USPC ..... **D23/213**

(58) **Field of Classification Search**  
USPC ..... D23/213, 229, 230; 4/605, 617, 615  
CPC .. B05B 1/00; B05B 1/005; B05B 1/08; B05B  
1/18; A61H 9/0021; E03C 1/06  
See application file for complete search history.

\* cited by examiner

*Primary Examiner* — Robin V Webster

(74) *Attorney, Agent, or Firm* — Lora J. Graentzdoerffer

(57) **CLAIM**

The ornamental design for an overhead shower, as shown and described.

(56) **References Cited**

U.S. PATENT DOCUMENTS

D496,987 S \* 10/2004 Glunk ..... D23/213  
D531,260 S \* 10/2006 Luo ..... D23/213  
D540,427 S \* 4/2007 Bouroullec ..... D23/213  
D656,222 S \* 3/2012 Su ..... D23/213  
D694,357 S \* 11/2013 Brodey ..... D23/213

**DESCRIPTION**

FIG. 1 is a perspective view;  
FIG. 2 is a side elevation view;  
FIG. 3 is a rear elevation view;  
FIG. 4 is a top plan view; and,  
FIG. 5 is a bottom plan view.  
The broken lines indicate portions of the overhead shower that form no part of the claimed design.

**1 Claim, 5 Drawing Sheets**

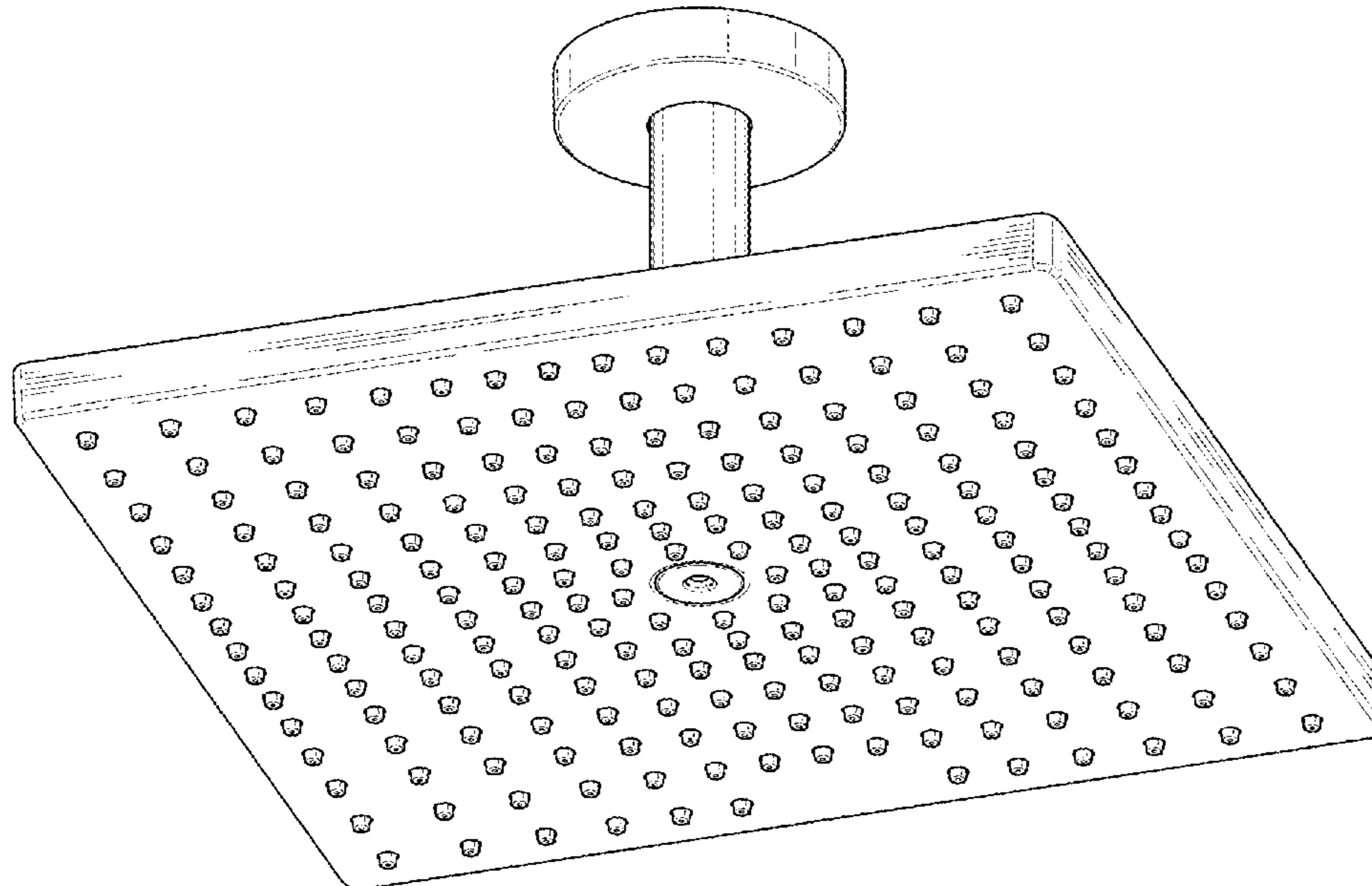


FIG. 1

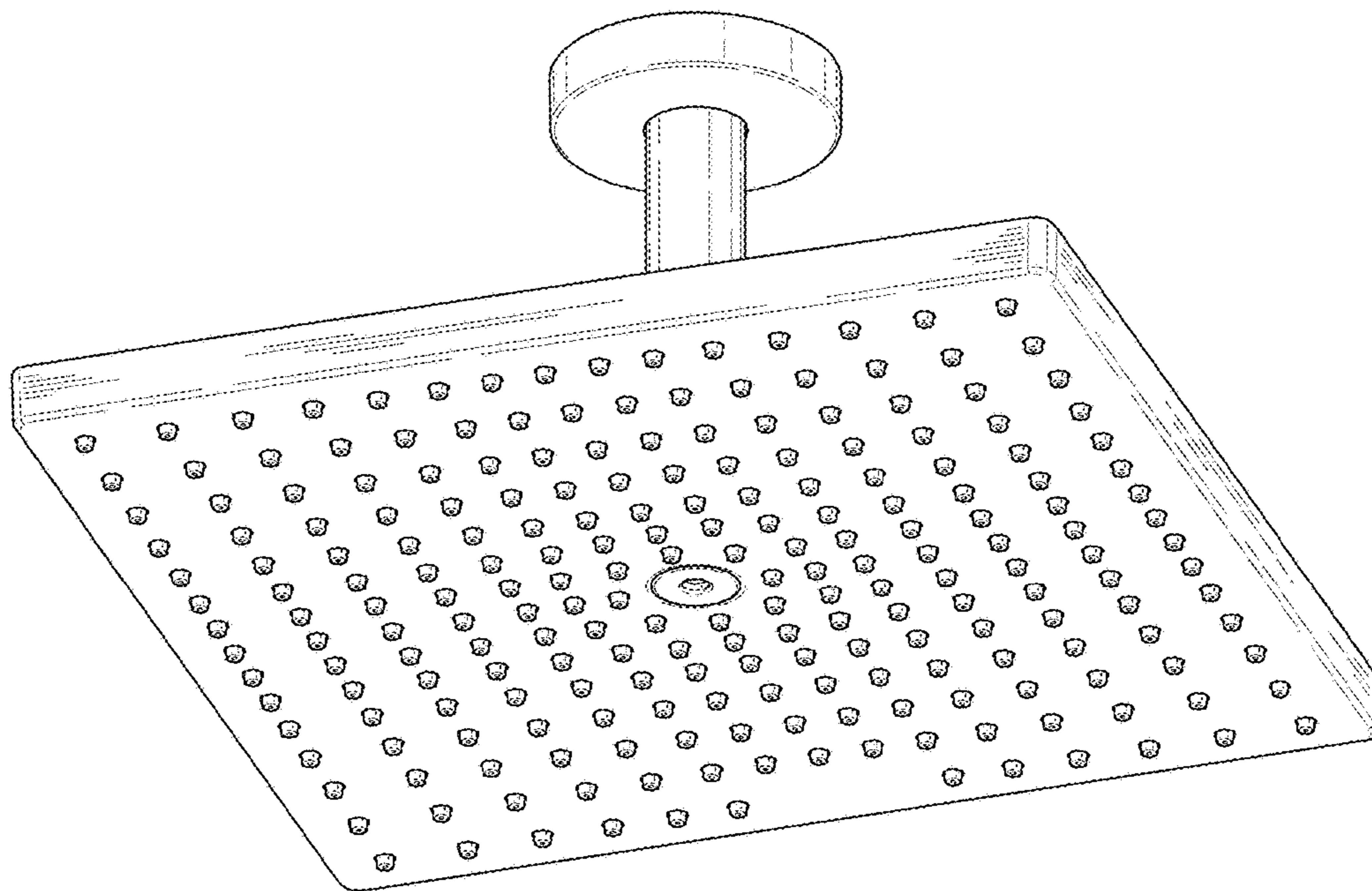


FIG. 2

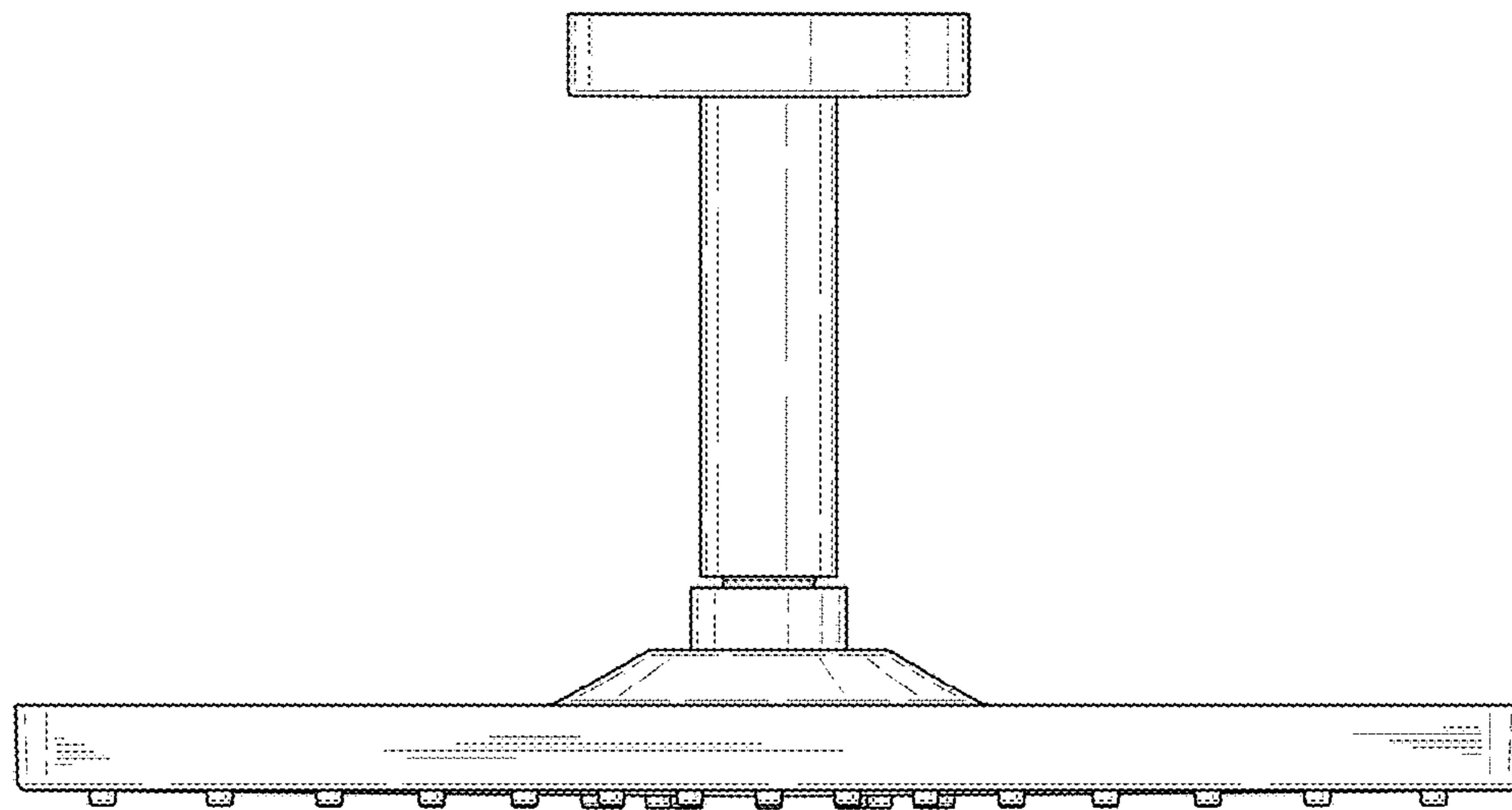


FIG. 3

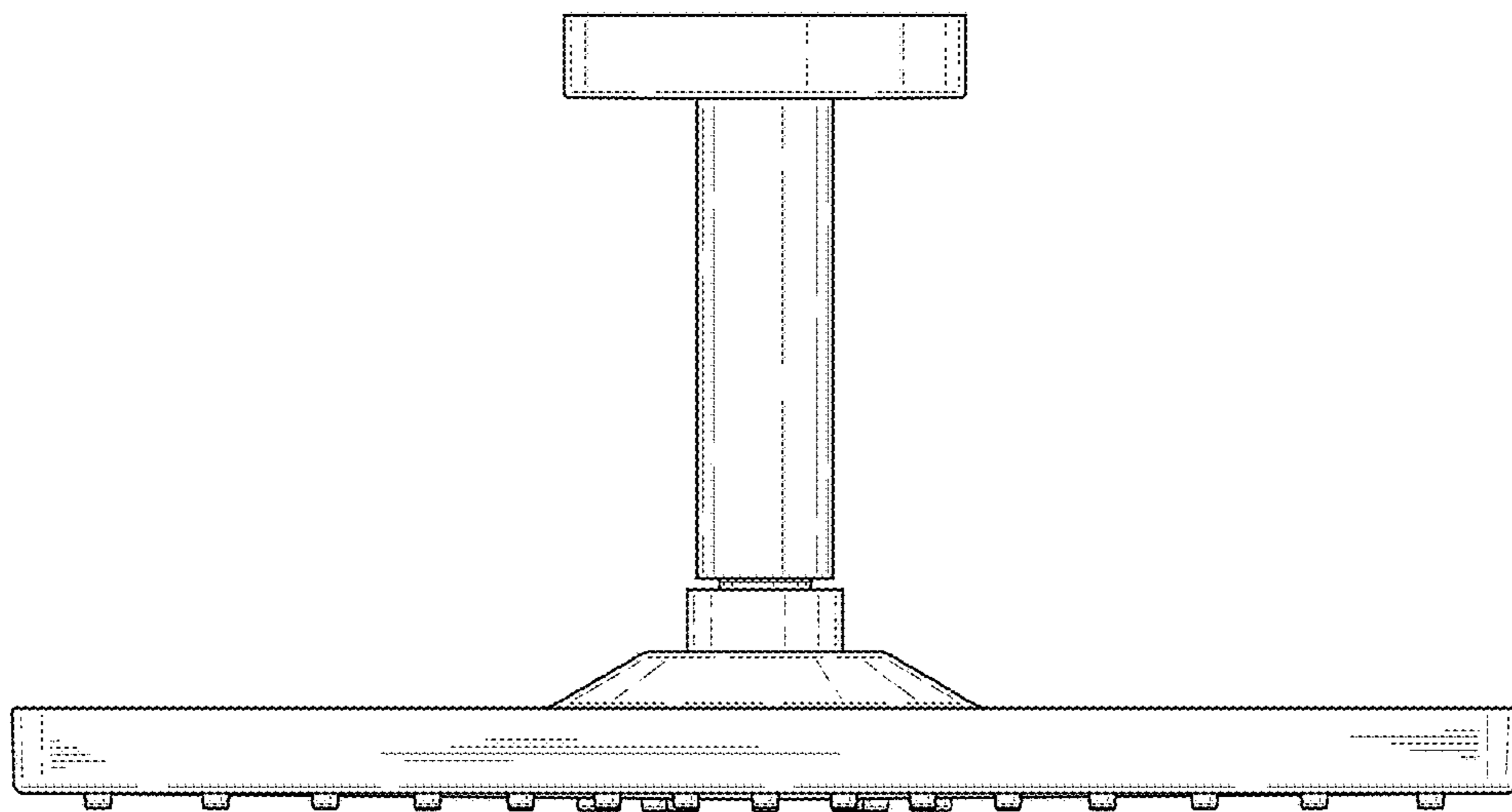


FIG. 4

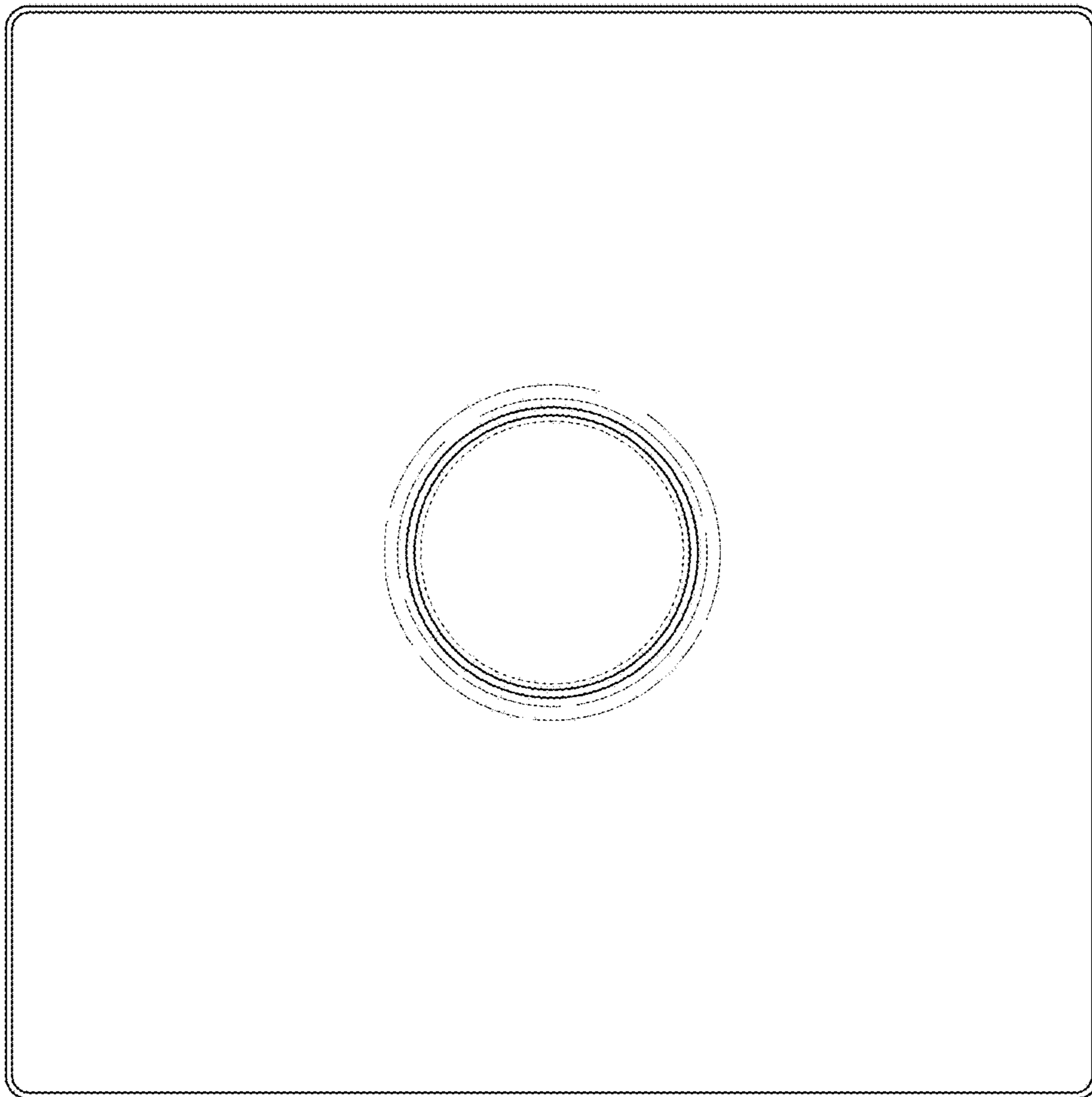


FIG. 5

