



US00D828904S

(12) **United States Design Patent**
Maibach, Jr.

(10) **Patent No.:** **US D828,904 S**

(45) **Date of Patent:** **** Sep. 18, 2018**

- (54) **HIGH EFFICIENCY DISTILLATION HEAD**
- (71) Applicant: **Lab Society LLC**, Longmont, CO (US)
- (72) Inventor: **Michael S. Maibach, Jr.**, Longmont, CO (US)
- (73) Assignee: **Lab Society LLC**, Frederick, CO (US)
- (**) Term: **15 Years**
- (21) Appl. No.: **29/614,928**
- (22) Filed: **Aug. 24, 2017**
- (51) **LOC (11) Cl.** **23-01**
- (52) **U.S. Cl.**
USPC **D23/207**
- (58) **Field of Classification Search**
USPC D23/233, 235, 237, 241, 242, 244,
D23/245-249, 262, 263, 266, 259, 207,
D23/223, 268; 285/133.11, 110, 347,
285/294.1, 123.1, 133.21; 202/83, 255,
202/257, 270
CPC B29C 53/76; B29C 66/52241; F16L 47/32;
F16L 41/021; B01D 3/04
See application file for complete search history.

- 9,138,657 B1 * 9/2015 Wiederin B01D 3/008
- D775,310 S * 12/2016 Kremerman D23/207
- D776,238 S * 1/2017 Kremerman D23/207
- D802,084 S * 11/2017 Kremerman D23/207
- D802,085 S * 11/2017 Kremerman D23/207
- D805,599 S * 12/2017 Kremerman D23/207

* cited by examiner

Primary Examiner — Cynthia Ramirez

Assistant Examiner — Gino Colan

(74) *Attorney, Agent, or Firm* — Greenspoon Marder LLP

(57) **CLAIM**

The ornamental design for a high efficiency distillation head, as shown and described.

DESCRIPTION

FIG. 1 is a right side elevational view of a high efficiency distillation head showing my new design;
 FIG. 2 is a left side elevational view thereof;
 FIG. 3 is a front elevational view thereof;
 FIG. 4 is a rear elevational view thereof;
 FIG. 5 is top plan view thereof;
 FIG. 6 is a bottom plan view thereof; and,
 FIG. 7 is a right side cutaway view thereof.
 The broken lines shown in the figures represent portions of the high efficiency distillation head that form no part of the claimed design.

1 Claim, 7 Drawing Sheets

(56) **References Cited**

U.S. PATENT DOCUMENTS

- D254,441 S * 3/1980 Lemoine D23/207
- D595,391 S * 6/2009 Weltman D23/268

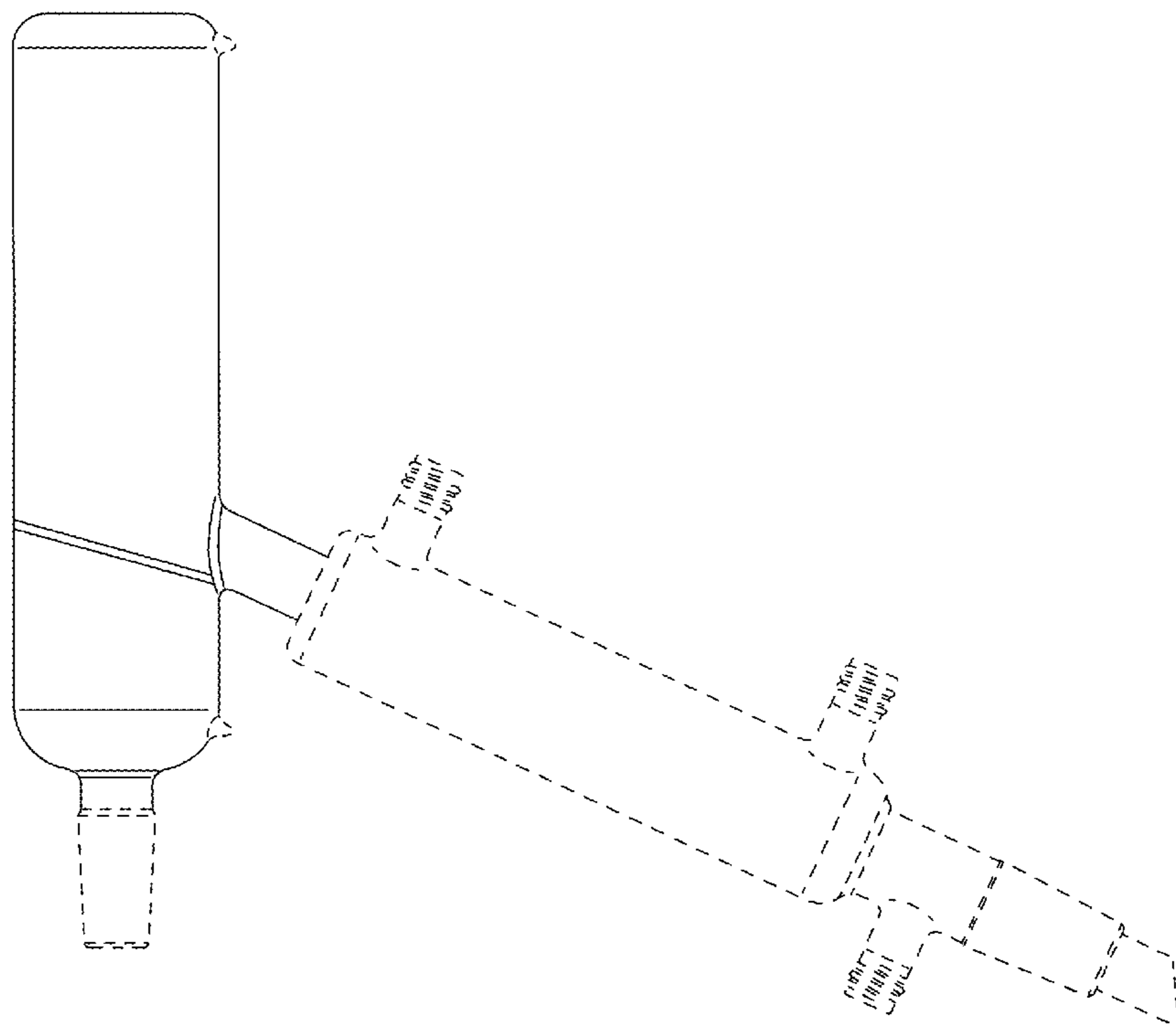
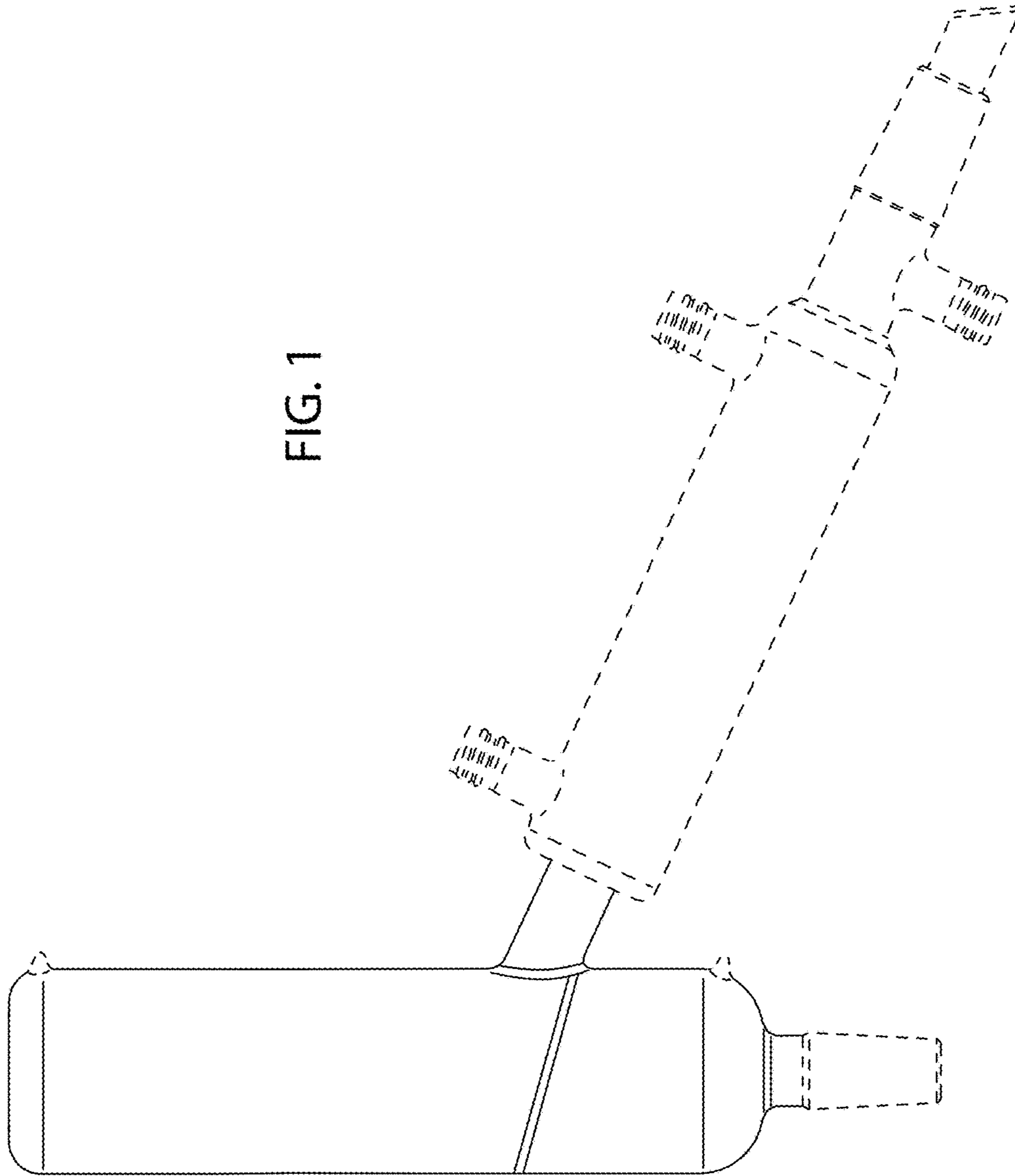
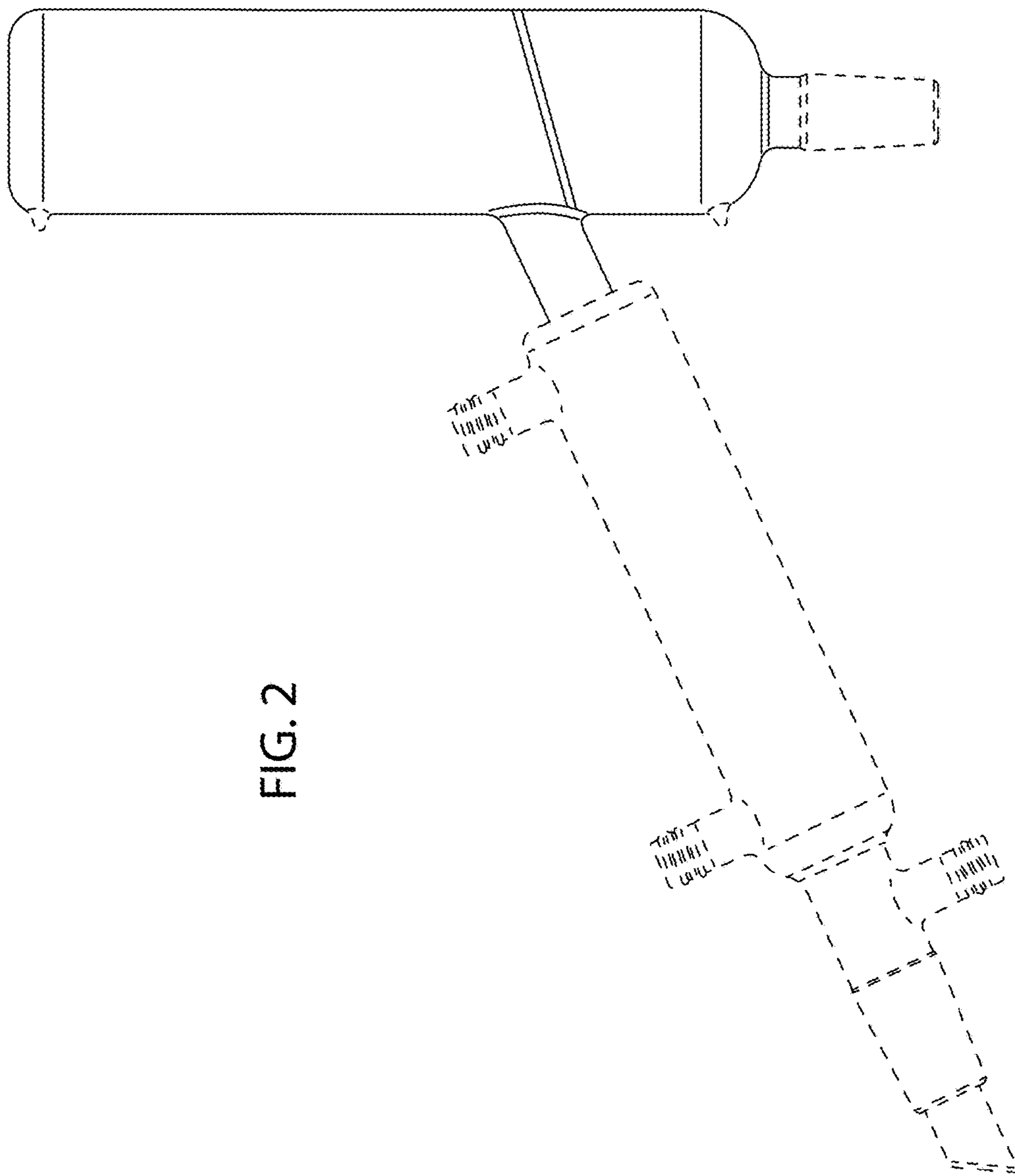


FIG. 1





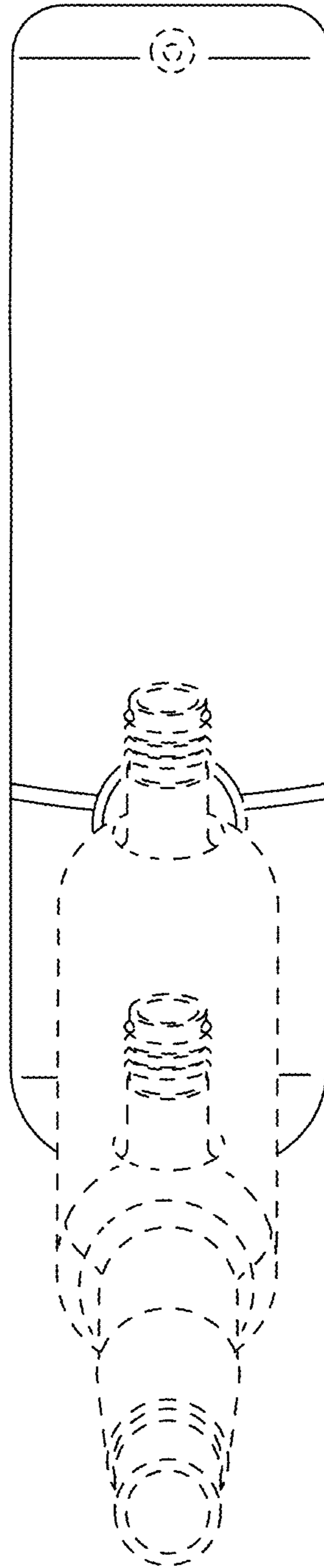


FIG. 3

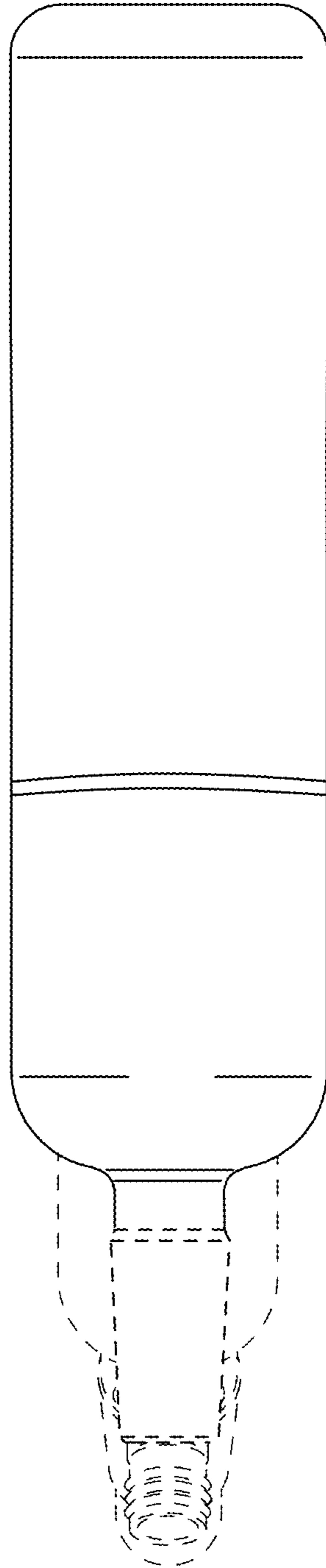


FIG. 4

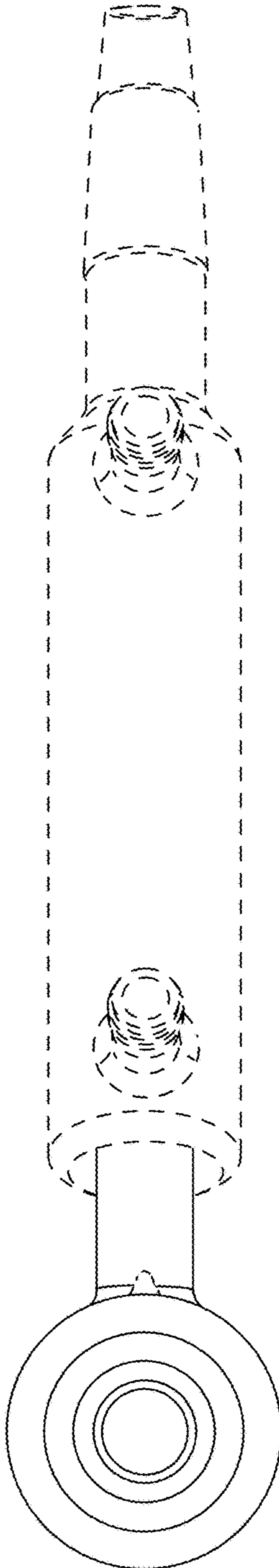


FIG. 5

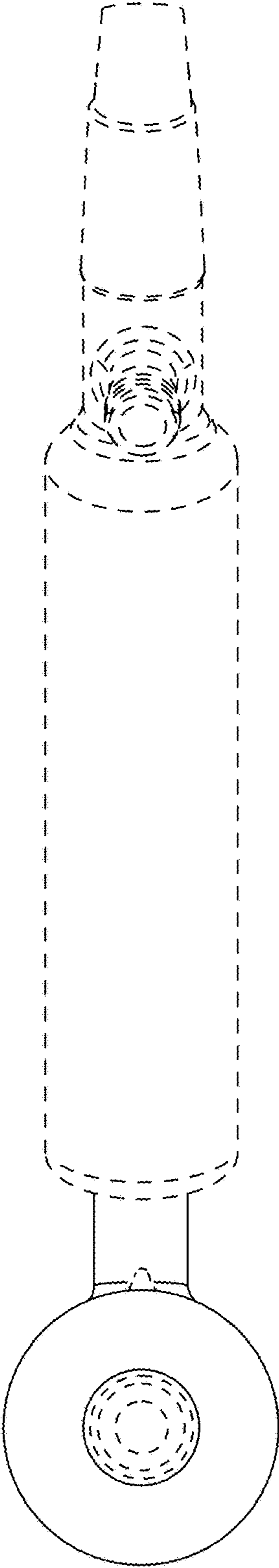


FIG. 6

FIG. 7

