



US00D828902S

(12) **United States Design Patent**
Kent

(10) **Patent No.: US D828,902 S**

(45) **Date of Patent: ** Sep. 18, 2018**

(54) **THREE-LEGGED SQUARE WATER STORAGE UNIT ASSEMBLY**

D786,510 S *	5/2017	Murljadic	D30/118
D795,384 S *	8/2017	Kent	D23/206
D795,385 S *	8/2017	Kent	D23/206
D810,857 S *	2/2018	Zarraonandia	E03F 1/002
				D23/206
D810,858 S *	2/2018	Zarraonandia	D23/206

(71) Applicant: **Bio Clean Environmental Services, Inc.**, Oceanside, CA (US)

(72) Inventor: **Zachariha J. Kent**, San Antonio, TX (US)

* cited by examiner

(73) Assignee: **Bio Clean Environmental Services, Inc.**, Oceanside, CA (US)

Primary Examiner — Robin V Webster

(74) *Attorney, Agent, or Firm* — Steven W. Webb

(**) Term: **15 Years**

(21) Appl. No.: **29/611,522**

(57) **CLAIM**

(22) Filed: **Jul. 21, 2017**

The ornamental design for a three-legged square water storage unit assembly, as shown and described.

(51) **LOC (11) Cl.** **23-01**

(52) **U.S. Cl.**

USPC **D23/206; D6/675**

(58) **Field of Classification Search**

USPC D23/200, 207, 209, 206; 210/170.03;
405/43, 45, 49, 50.53, 55; D25/36;
D6/691.4, 695, 695.2

CPC E02B 11/005; E03F 1/003; E03F 1/002;
E03F 1/005; E03F 5/101; B65G 5/00

See application file for complete search history.

DESCRIPTION

FIG. 1 is a perspective view of a three-legged square water storage unit assembly showing my new design;

FIG. 2 is a front elevation view, thereof;

FIG. 3 is a left side end elevation view thereof; and,

FIG. 4 is a bottom plan view thereof, the top plan view being identical thereof.

(56) **References Cited**

U.S. PATENT DOCUMENTS

6,419,421 B1 *	7/2002	Whitfield, Jr.	E03F 1/002
				210/170.03
D767,924 S *	10/2016	Livingston	D6/691

1 Claim, 4 Drawing Sheets

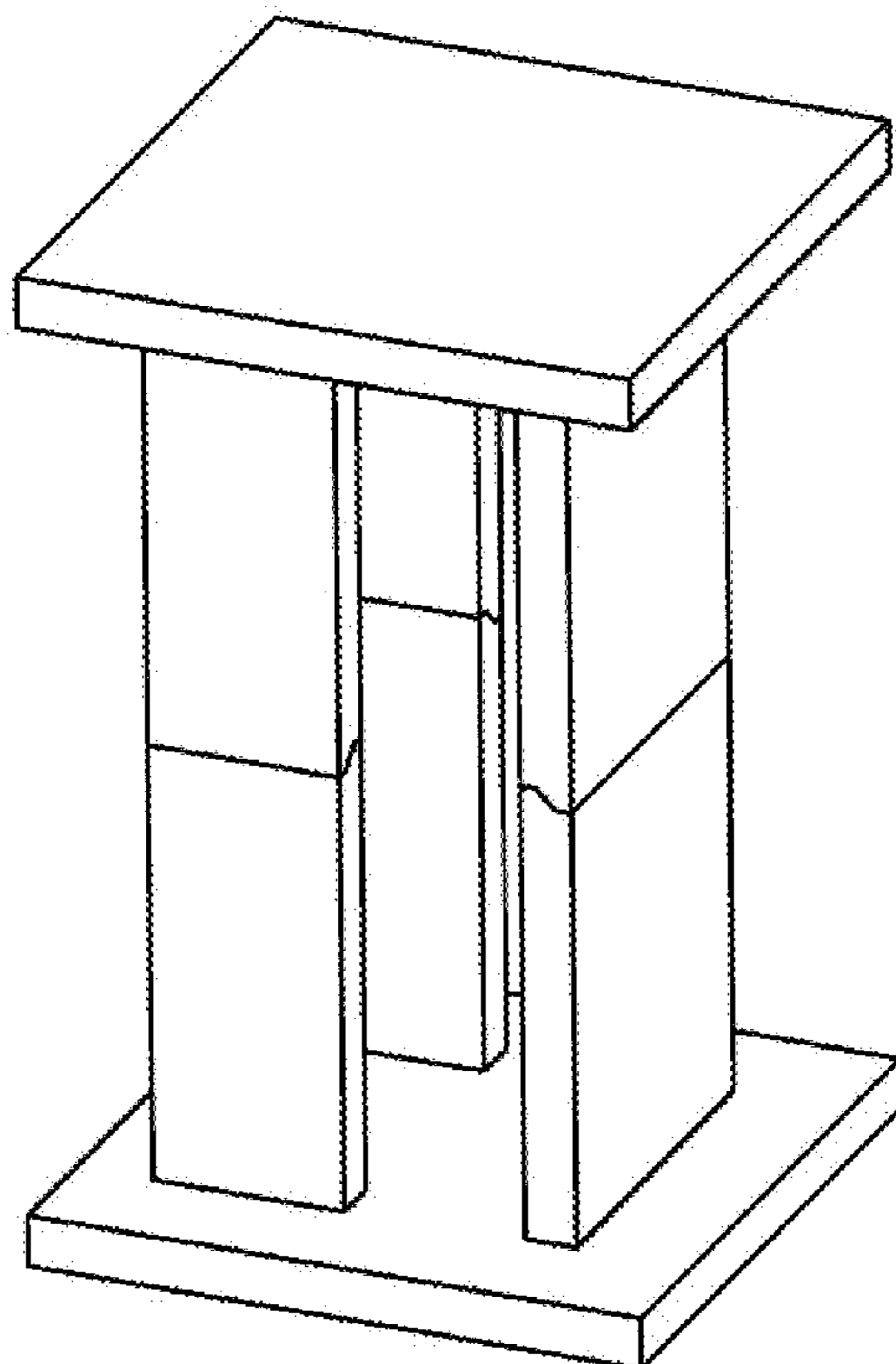


FIG. 1

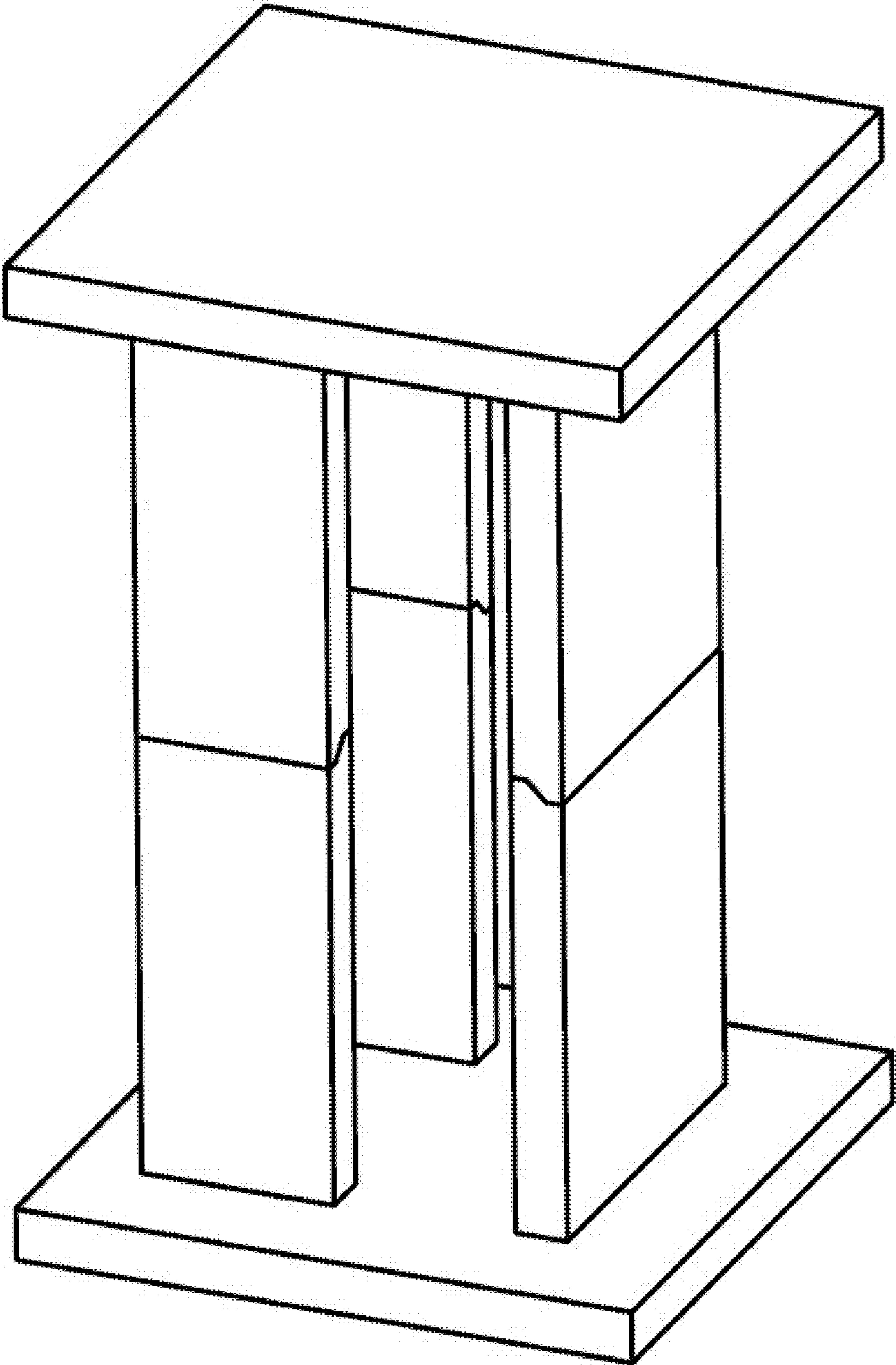


FIG. 2

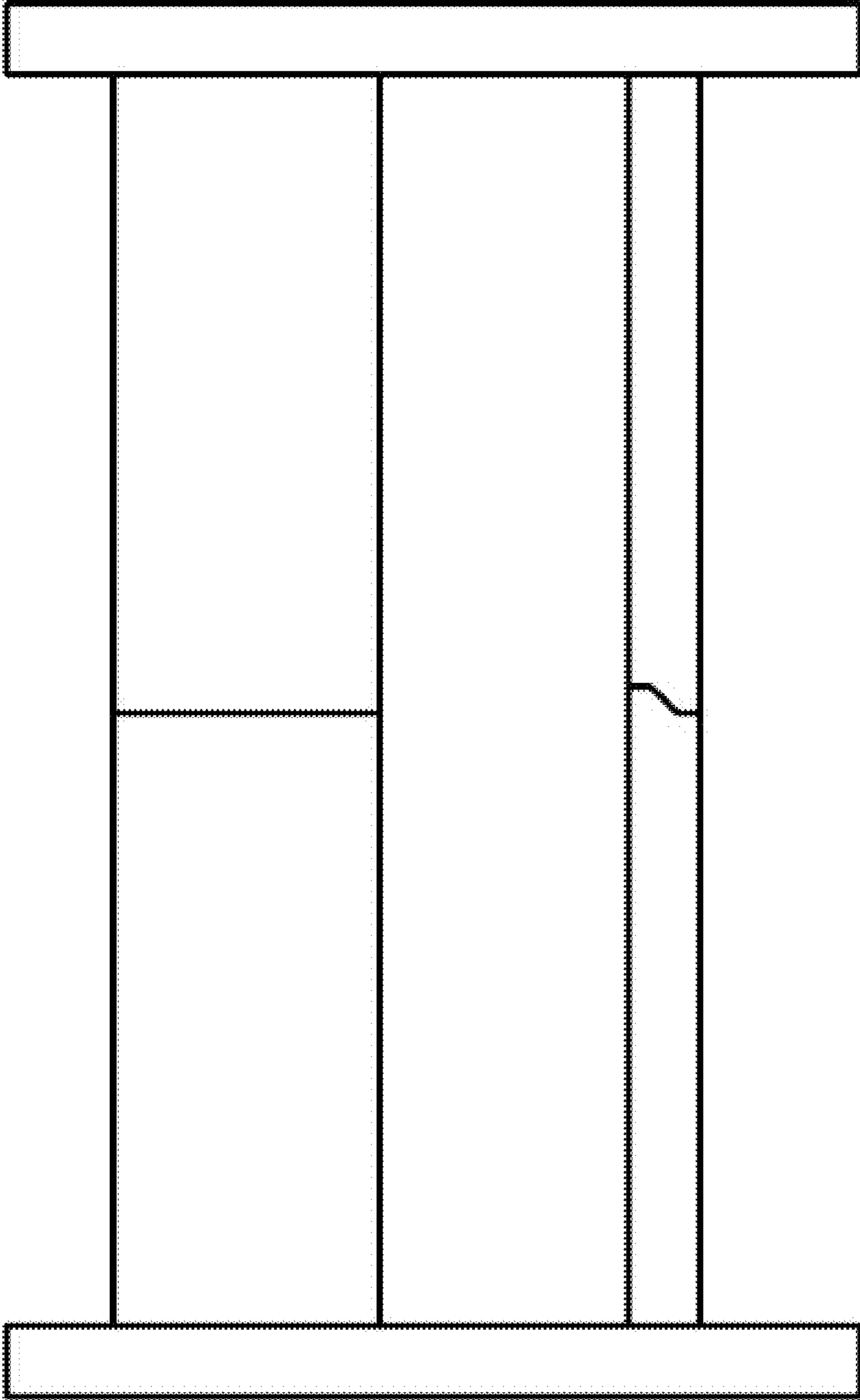


FIG. 3

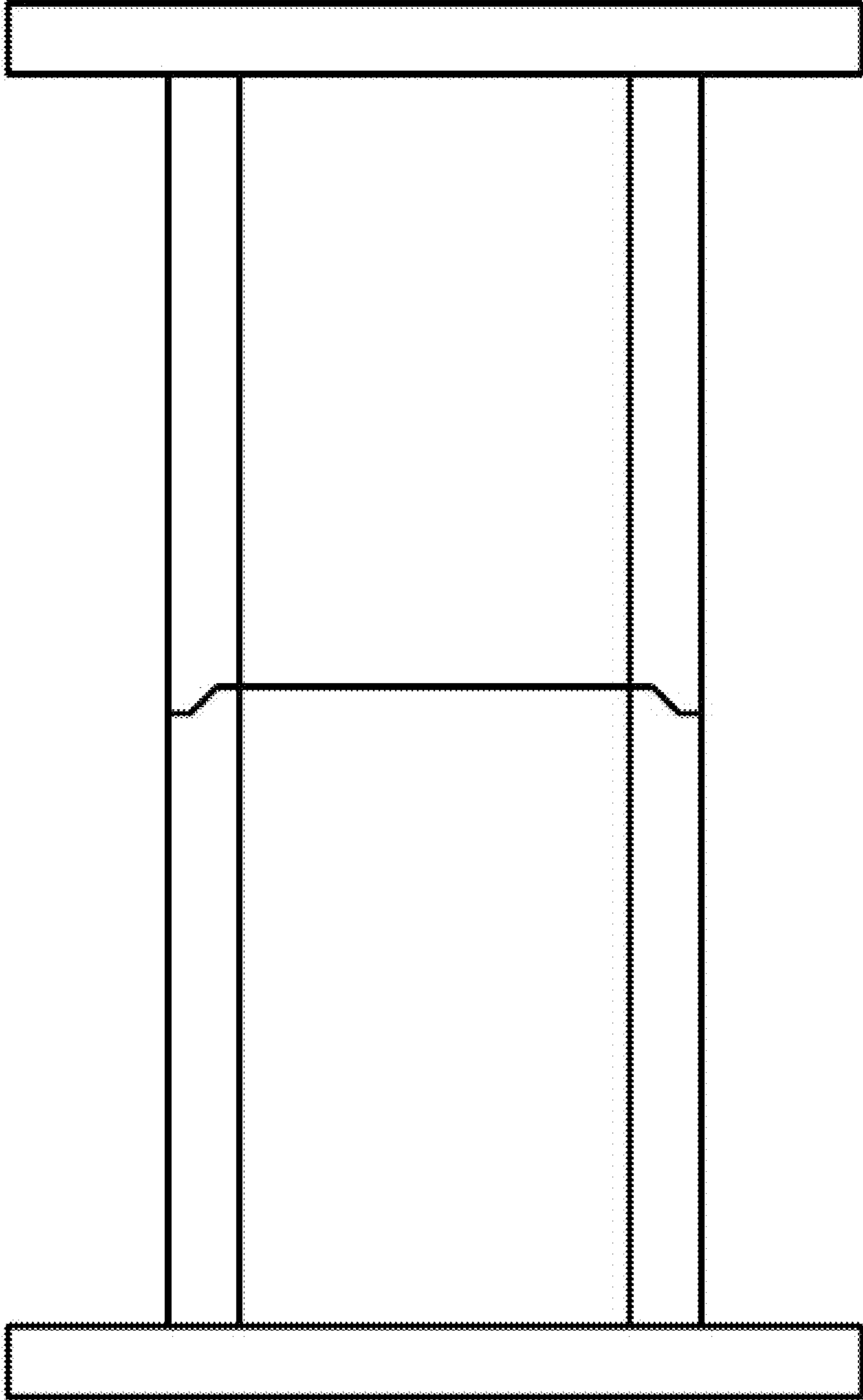


FIG. 4

