



US00D828899S

(12) **United States Design Patent**
Pierce

(10) **Patent No.:** **US D828,899 S**

(45) **Date of Patent:** **** Sep. 18, 2018**

- (54) **SILENCER**
- (71) Applicant: **Crosman Corporation**, Bloomfield, NY (US)
- (72) Inventor: **Thomas O. Pierce**, Rochester, NY (US)
- (73) Assignee: **Crosman Corporation**, Bloomfield, NY (US)
- (**) Term: **15 Years**
- (21) Appl. No.: **29/594,939**
- (22) Filed: **Feb. 23, 2017**
- (51) **LOC (11) Cl.** **22-01**
- (52) **U.S. Cl.**
USPC **D22/108**
- (58) **Field of Classification Search**
USPC D22/100, 101, 103, 104, 108-110;
89/14.3, 14.05, 14.2, 14.4, 27.12; 42/79,
42/97, 51, 66, 67, 70.01; 181/223;
D21/572-575
CPC F41A 21/325; F41A 21/28; F41A 21/32;
F41A 21/34; F41A 21/36; F41A 21/41
See application file for complete search history.

- 7,032,339 B1 * 4/2006 Bounds F41A 21/36
42/1.06
- D532,072 S * 11/2006 Price D22/108
- D534,235 S * 12/2006 Price D22/108
- D536,054 S * 1/2007 Price D22/108
- 8,424,440 B1 * 4/2013 Carson F41A 21/36
89/14.3

(Continued)

OTHER PUBLICATIONS

Silencer Review: SilencerCo Osprey 45—The Versatile Suppressor, OmahaOutdoors.com, [online], [site visited Apr. 19, 2018]. <URL: <https://www.omahaoutdoors.com/blog/silencerco-osprey-45-versatile-suppressor-silencer-review/>> (Year: 2018).*

(Continued)

Primary Examiner — T. Chase Nelson
Assistant Examiner — Jonathan J. Han
(74) *Attorney, Agent, or Firm* — Brian B. Shaw, Esq.;
Harter Secrest & Emery LLP

(57) **CLAIM**

The ornamental design for a silencer, as shown and described.

DESCRIPTION

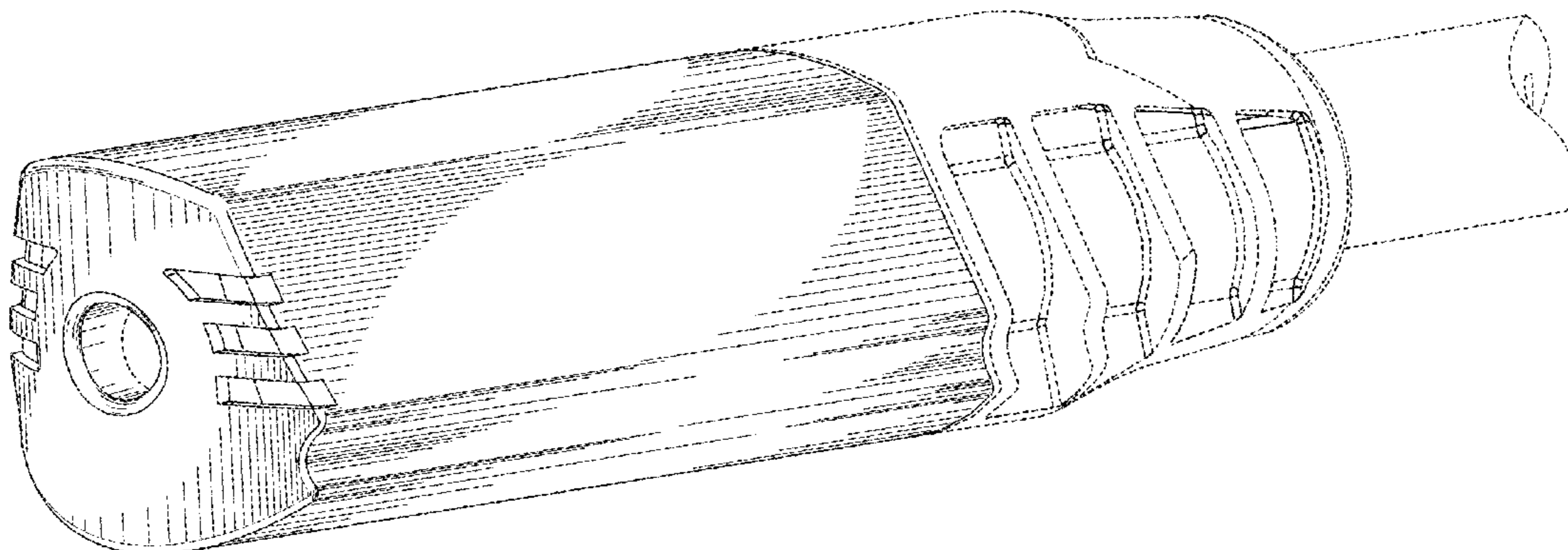
FIG. 1 is a left side perspective view of a silencer showing an embodiment of the design;
FIG. 2 is a left side elevational view thereof;
FIG. 3 is a rear elevational view thereof;
FIG. 4 is a right side elevational view thereof;
FIG. 5 is a front elevational view thereof;
FIG. 6 is a bottom plan view thereof; and,
FIG. 7 is a top plan view thereof.
The broken lines in the figures are used for illustrating unclaimed portions and environment and form no part of the claimed design.

1 Claim, 6 Drawing Sheets

(56) **References Cited**

U.S. PATENT DOCUMENTS

- 1,259,251 A * 3/1918 Love F41A 21/30
181/223
- 2,457,802 A * 1/1949 Bauer F41A 21/30
89/1.7
- 2,567,826 A * 9/1951 Prache F41A 21/36
89/14.3
- 2,809,560 A * 10/1957 Matson F41A 21/325
89/14.3
- 4,879,942 A * 11/1989 Cave F41A 21/36
89/14.3
- D358,861 S * 5/1995 Gangl, Jr. D22/108
- 6,269,727 B1 * 8/2001 Nigge F41A 21/36
89/14.3
- D515,169 S * 2/2006 Bounds D22/108



(56)

References Cited

U.S. PATENT DOCUMENTS

D682,972 S * 5/2013 KasanJian-King D22/108
 D687,508 S * 8/2013 Peterman D22/108
 8,800,419 B1 * 8/2014 Walker F41A 21/36
 89/14.3
 D729,894 S * 5/2015 DeLuca D22/108
 D759,188 S * 6/2016 Geissele D22/108
 D760,859 S * 7/2016 Venegas D22/108
 D765,209 S * 8/2016 Sui D22/108
 D765,210 S * 8/2016 Sui D22/108
 D767,076 S * 9/2016 Bebee D22/108
 D779,019 S * 2/2017 Arnedo Vera D22/108
 2010/0269387 A1 * 10/2010 Drajan F41A 21/36
 42/1.06
 2011/0174141 A1 * 7/2011 Adolphsen F41A 21/02
 89/14.3
 2017/0160036 A1 * 6/2017 Walker F41A 21/36
 2018/0087861 A1 * 3/2018 McMillan F41A 21/36
 2018/0087862 A1 * 3/2018 McMillan F41A 21/28

OTHER PUBLICATIONS

Custom .308 Muzzle Brake 6 ports recoil reducer new gen part 308 rifle 5/8x24, OutdoorSportsUSA.com, [online], [site visited Apr. 19, 2018]. <URL: <https://outdoorsportsusa.com/CUSTOM-308-MUZZLE-BRAKE-6-Ports-Recoil-Reducer-NEW-GEN-PART-308-rifle-58x24>> (Year: 2018).*

.223 Heart Breaker Muzzle Brake, TimberCreekOutdoorsInc.com, [online], [site visited Apr. 19, 2018]. <URL: <https://timbercreekoutdoorsinc.com/products/223-hb>> (Year: 2018).*

Walker Defense ARMA: Muzzle Brake Reimagined?, RecoilWeb.com, David Reeder, May 4, 2016, [online], [site visited Apr. 19, 2018]. <URL: <http://www.recoilweb.com/walker-defense-arma-95233.html>> (Year: 2016).*

* cited by examiner

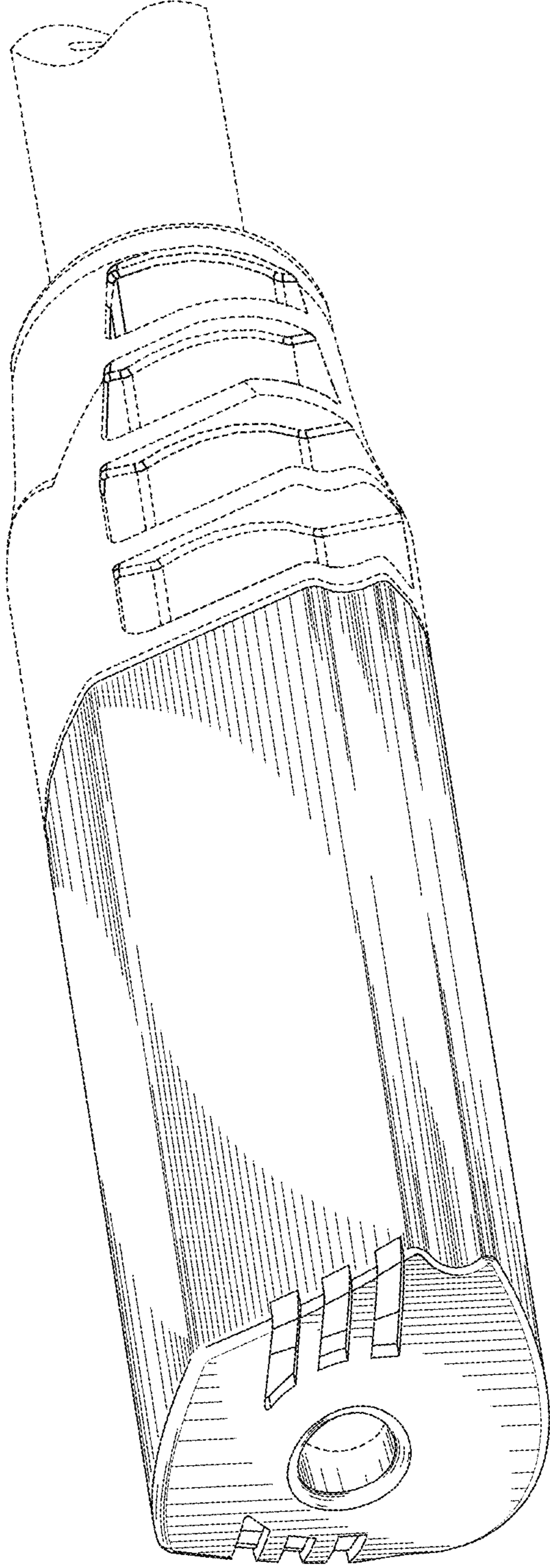


FIG. 1

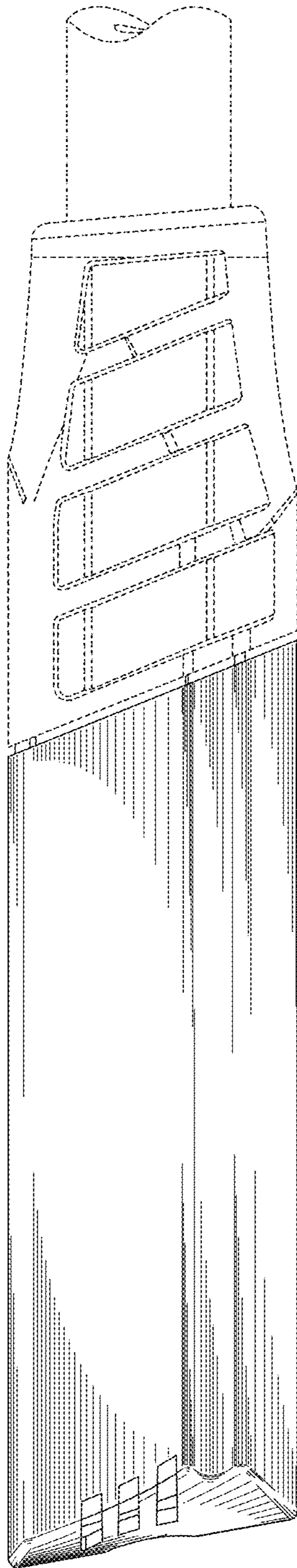


FIG. 2

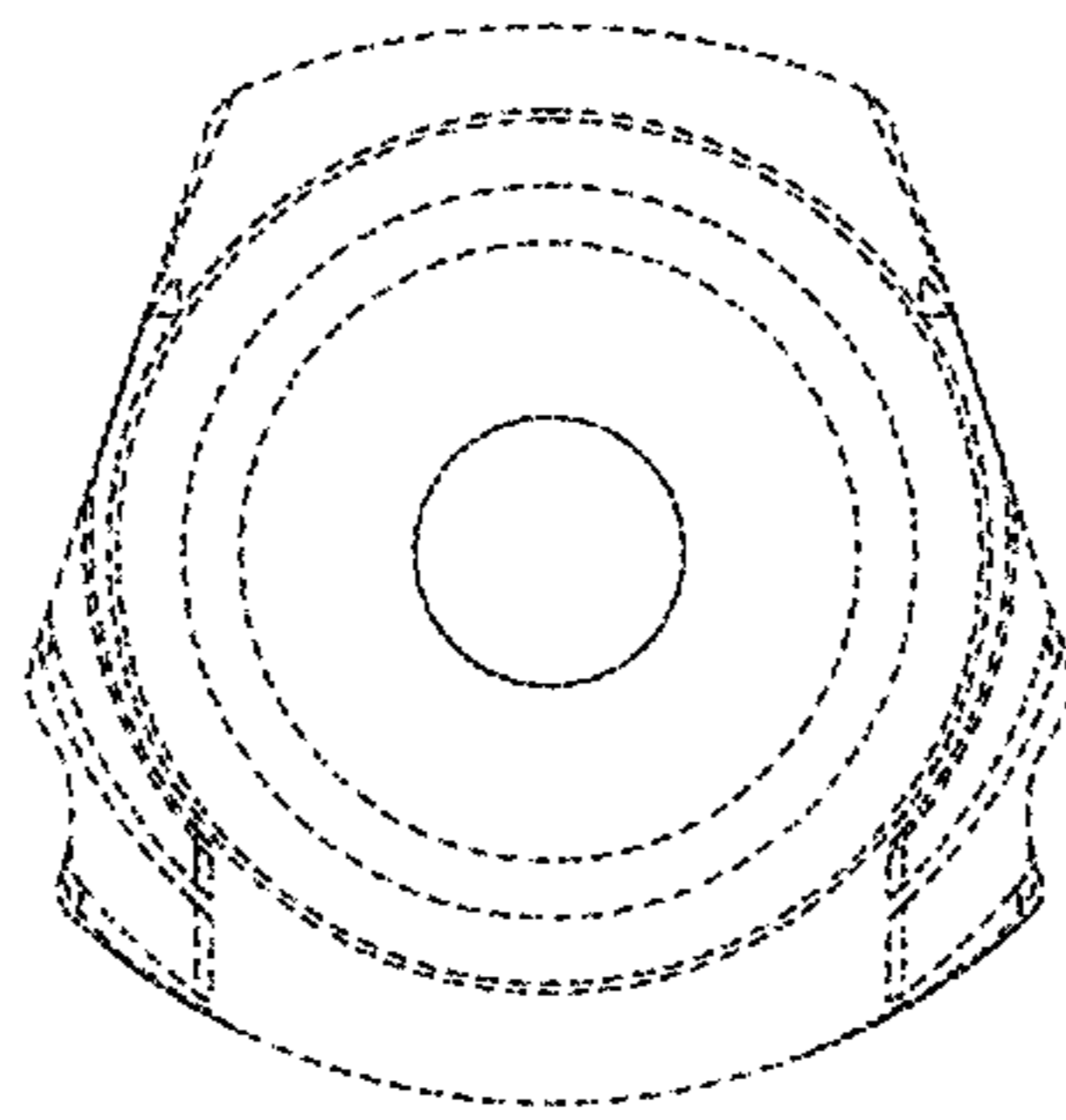


FIG. 3

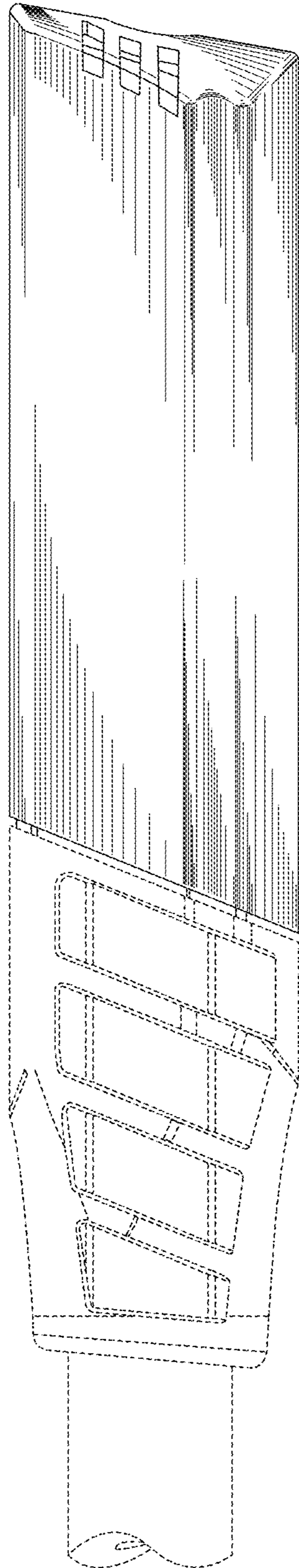


FIG. 4

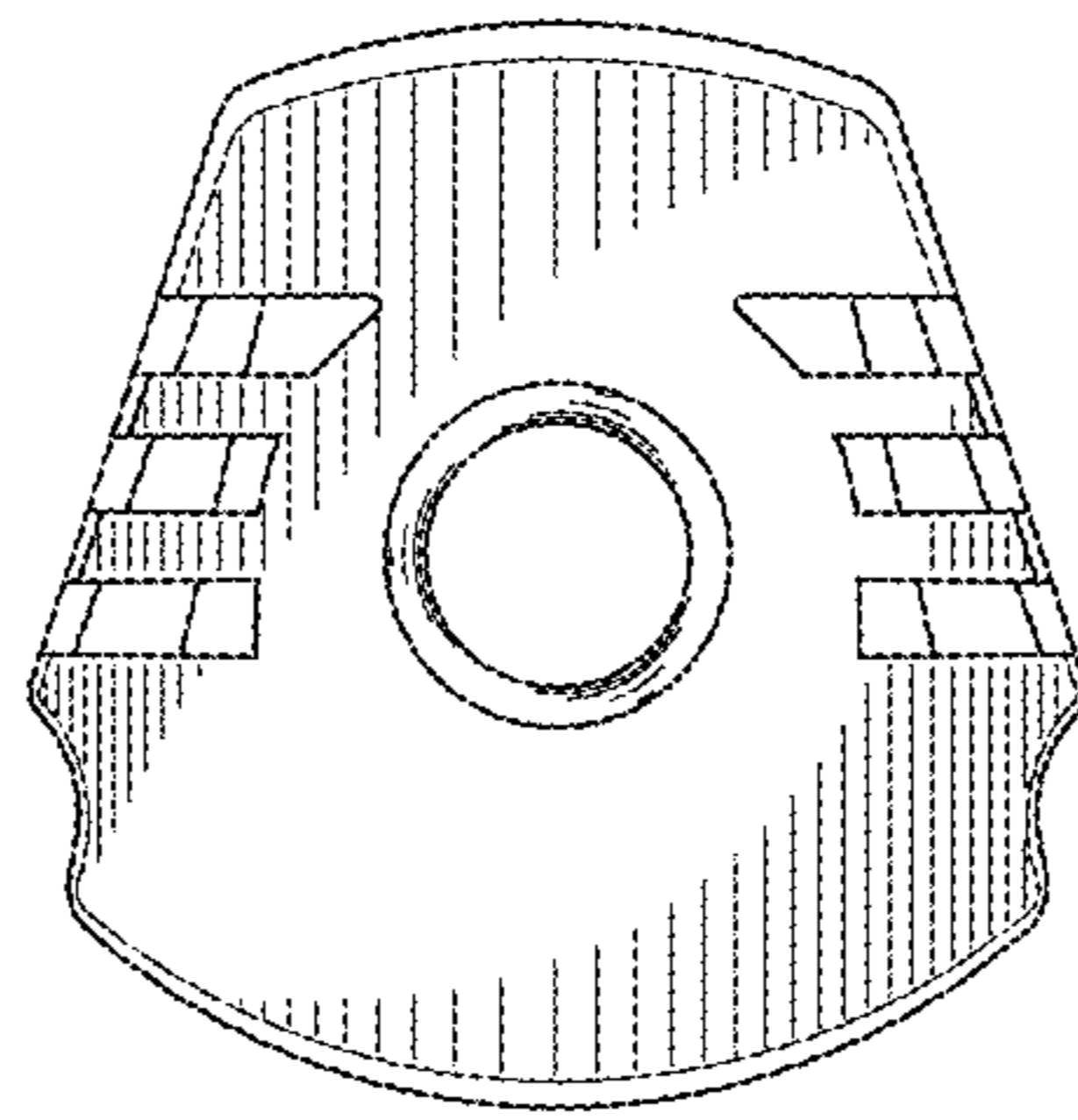


FIG. 5

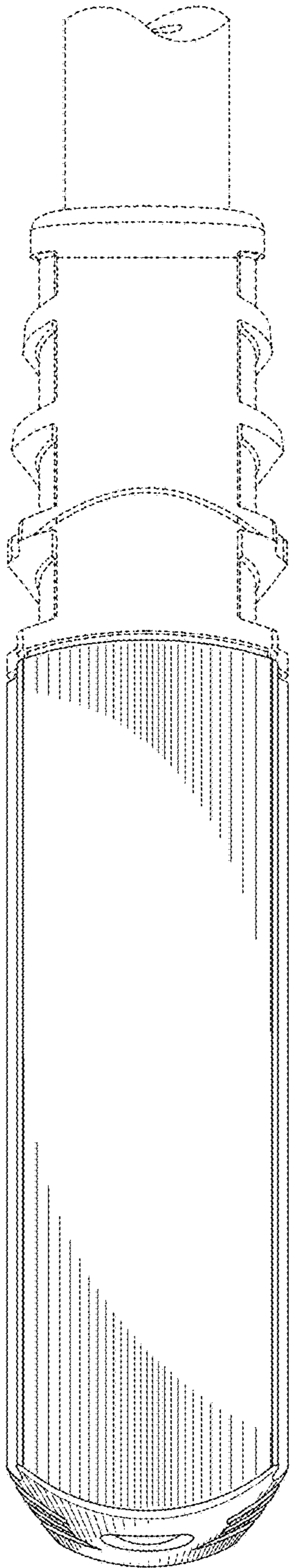


FIG. 6

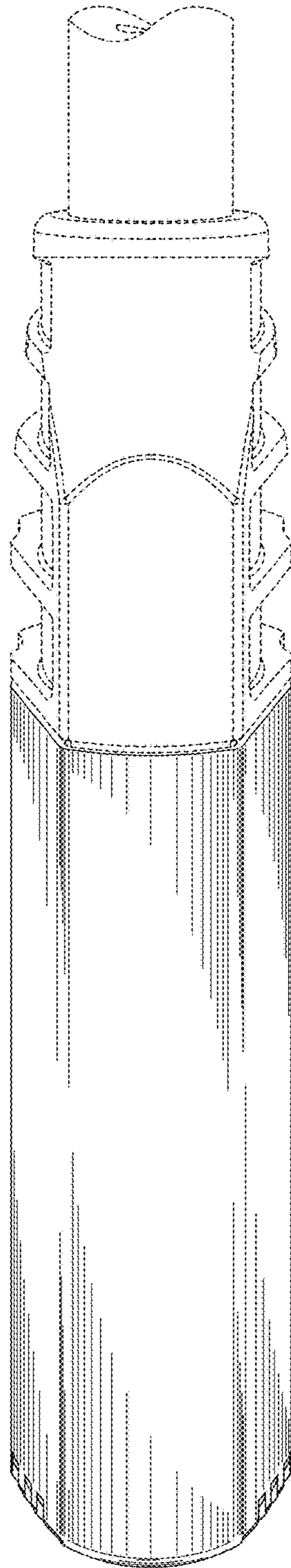


FIG. 7