



US00D828896S

(12) **United States Design Patent**  
**Geissele**

(10) **Patent No.:** **US D828,896 S**  
(45) **Date of Patent:** **\*\* Sep. 18, 2018**

- (54) **FIREARM RAIL**
- (71) Applicant: **WHG Properties, LLC**, North Wales, PA (US)
- (72) Inventor: **William H. Geissele**, Lower Gwynedd, PA (US)
- (73) Assignee: **WHG Properties, LLC**, North Wales, PA (US)
- (\*\*) Term: **15 Years**

D719,234 S	12/2014	Hochstrate
D720,421 S	12/2014	Chen
8,904,691 B1	12/2014	Kincel
D721,407 S	1/2015	Chu
9,032,658 B2	5/2015	Geissele
D733,246 S	6/2015	Wells et al.
D747,428 S	1/2016	Chen
D752,171 S	3/2016	Chen
D754,274 S	4/2016	Geissele
D757,201 S	5/2016	Meier
9,389,043 B1	7/2016	Zhang
D771,216 S	11/2016	Dubois
D778,388 S *	2/2017	Geissele ..... D22/108

(Continued)

- (21) Appl. No.: **29/581,635**
- (22) Filed: **Oct. 20, 2016**

**Related U.S. Application Data**

- (62) Division of application No. 29/537,369, filed on Aug. 25, 2015, now Pat. No. Des. 778,388.
- (51) **LOC (11) Cl.** ..... **22-01**
- (52) **U.S. Cl.**  
USPC ..... **D22/108**
- (58) **Field of Classification Search**  
USPC ..... D22/103, 108; D21/572-575  
CPC ..... F41C 23/00; F41C 23/10; F41C 23/14;  
F41C 23/16; F41C 23/18; F41C 27/00;  
F41C 27/06

See application file for complete search history.

(56) **References Cited**

**U.S. PATENT DOCUMENTS**

D477,855 S	7/2003	Selvaggio
7,770,317 B1	8/2010	Tankersley
D641,450 S	7/2011	Ding
D667,918 S	9/2012	KasanJian-King
D703,286 S	4/2014	Chen et al.
D708,693 S	7/2014	Faxon
D709,582 S	7/2014	Geissele
D711,492 S	8/2014	Yan et al.
8,819,980 B2	9/2014	Geissele

**OTHER PUBLICATIONS**

Photographs of Heckler Koch handguard (publicly available before Aug. 25, 2015).

*Primary Examiner* — Karen S Acker

*Assistant Examiner* — Steven B Reinholdt, Jr.

(74) *Attorney, Agent, or Firm* — Fox Rothschild LLP

(57) **CLAIM**

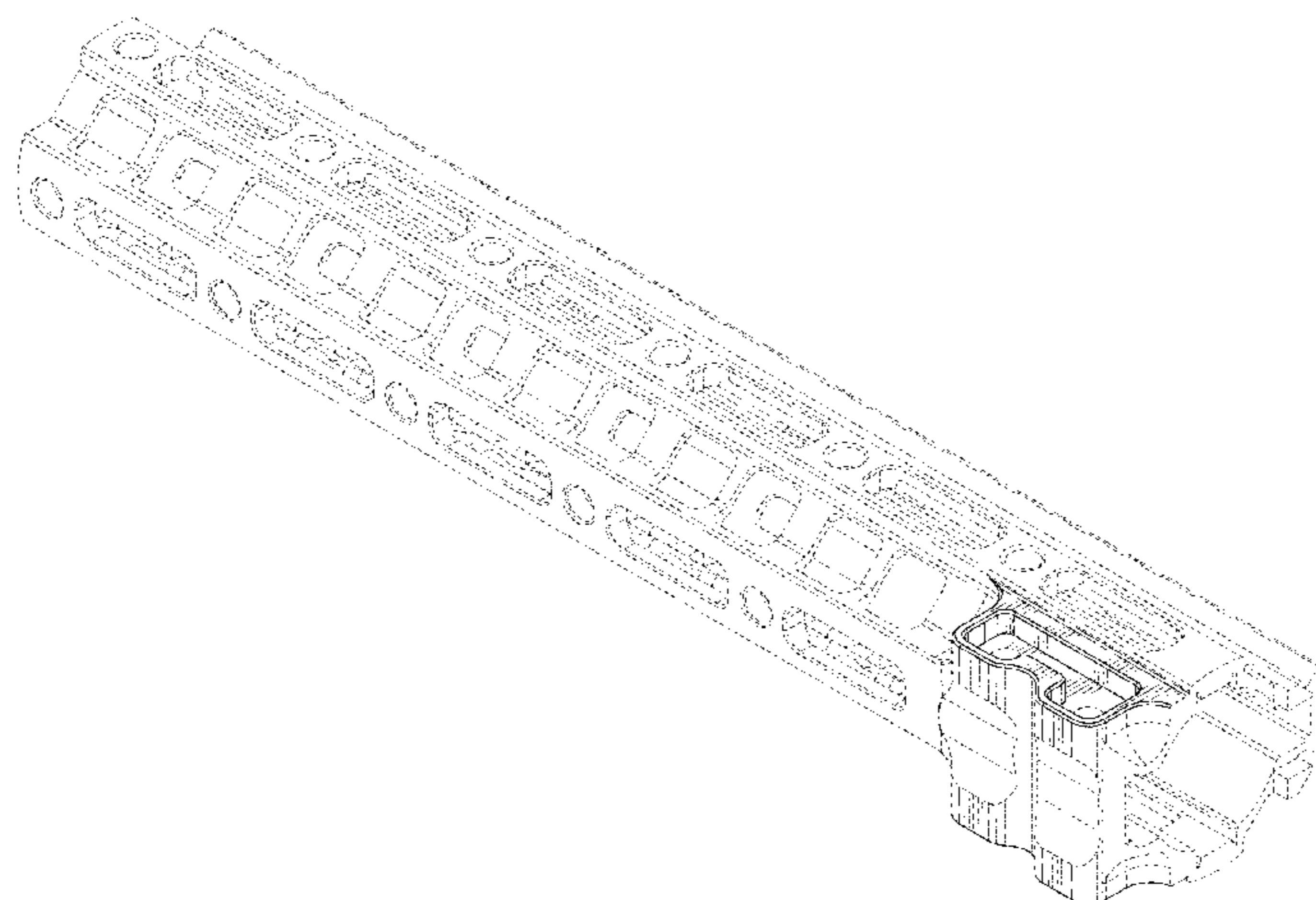
The ornamental design for a firearm rail, as shown and described.

**DESCRIPTION**

FIG. 1 is a bottom, rear, left side perspective view of a firearm rail according to the present disclosure; FIG. 2 is a front view of the firearm rail of FIG. 1; FIG. 3 is a rear view of the firearm rail of FIG. 1; FIG. 4 is a right side view of the firearm rail of FIG. 1; FIG. 5 is a left side view of the firearm rail of FIG. 1; and, FIG. 6 is a bottom view of the firearm rail of FIG. 1.

The broken lines depict portions of the firearm rail that form no part of the claimed design. Broken line features and surfaces adjacent to claimed areas defined by shading form no part of the claimed design.

**1 Claim, 4 Drawing Sheets**



(56)

**References Cited**

U.S. PATENT DOCUMENTS

D783,761 S	4/2017	Pavlick
D795,984 S	8/2017	Frederickson et al.
D795,986 S	8/2017	Frederickson et al.
D797,232 S	9/2017	Gibbens et al.
D815,238 S	4/2018	Podgurny
D818,073 S	5/2018	Dubois
2006/0236582 A1	10/2006	Lewis et al.
2011/0247254 A1	10/2011	Barnes
2013/0205637 A1	8/2013	Patel
2014/0026459 A1	1/2014	Yan et al.
2014/0373419 A1	12/2014	Leclair
2015/0316347 A1	11/2015	Shea et al.

\* cited by examiner

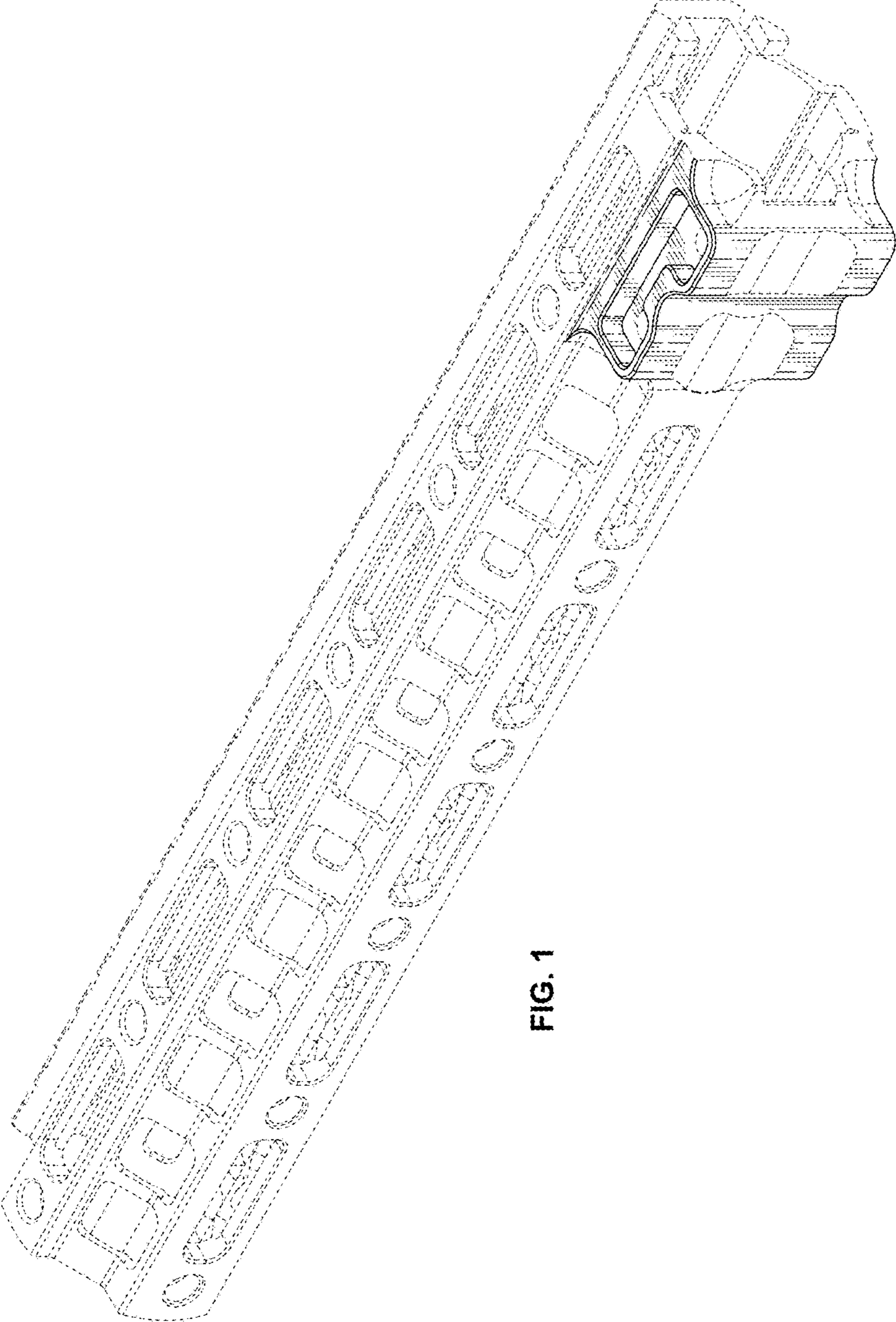


FIG. 1

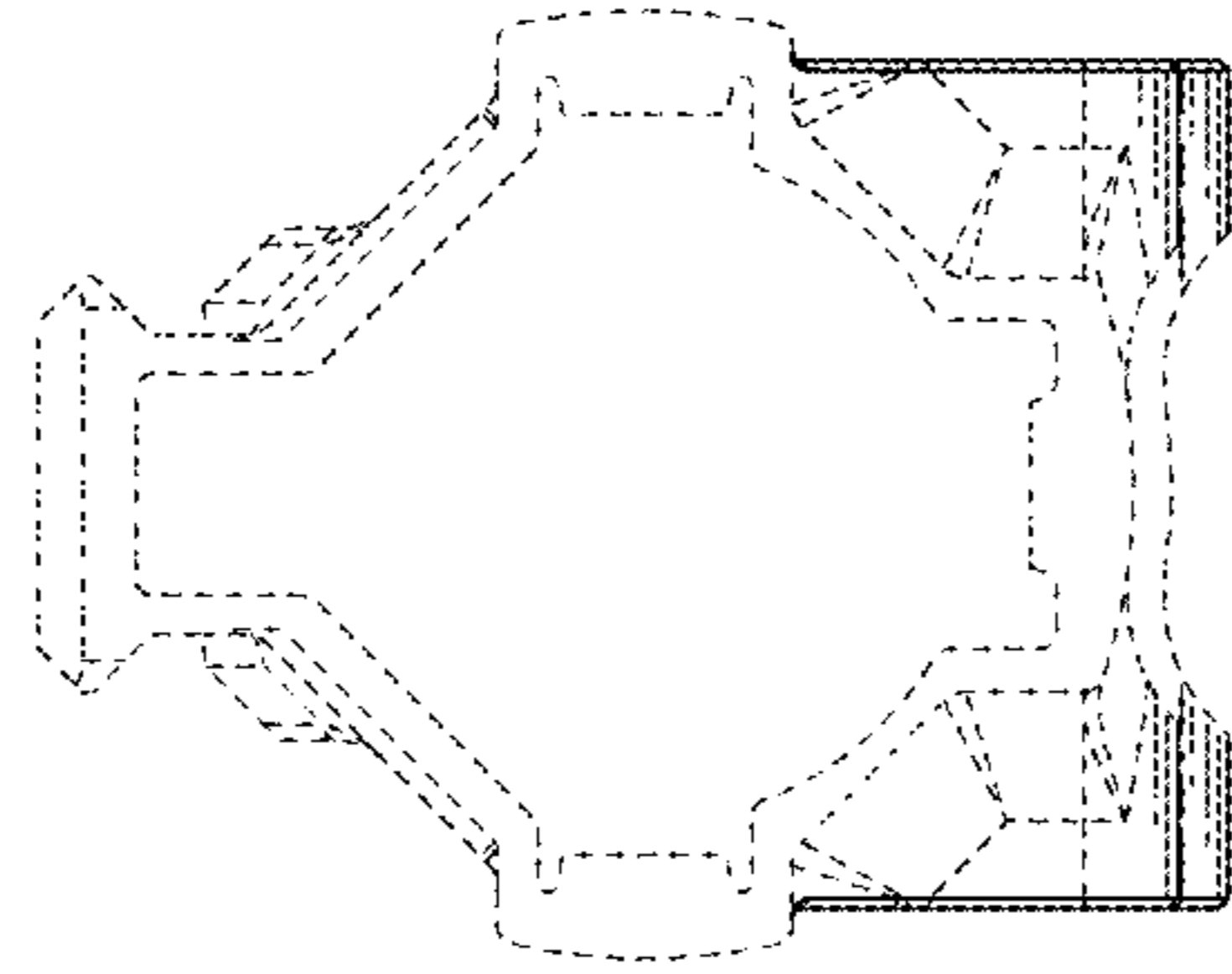


FIG. 3

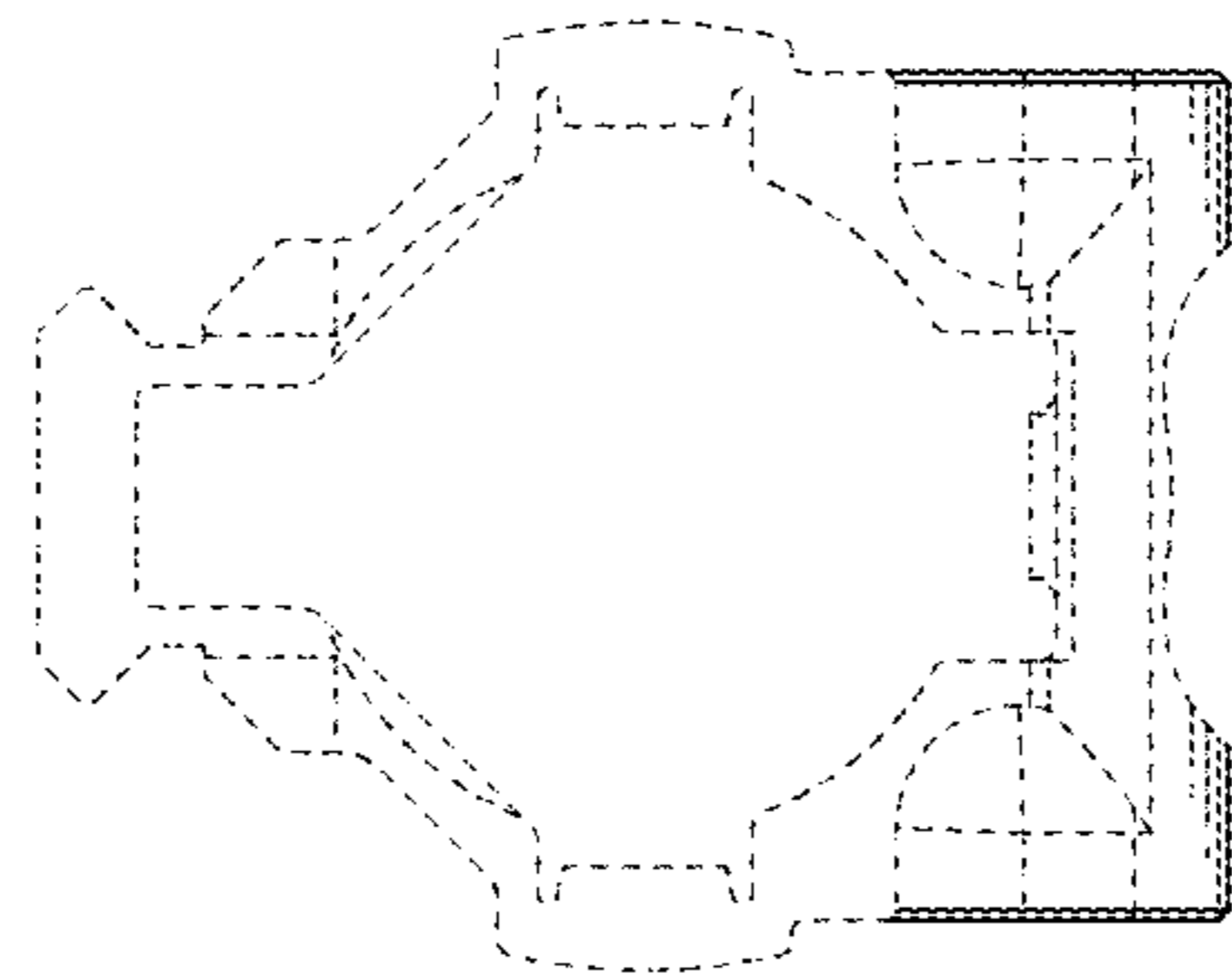


FIG. 2

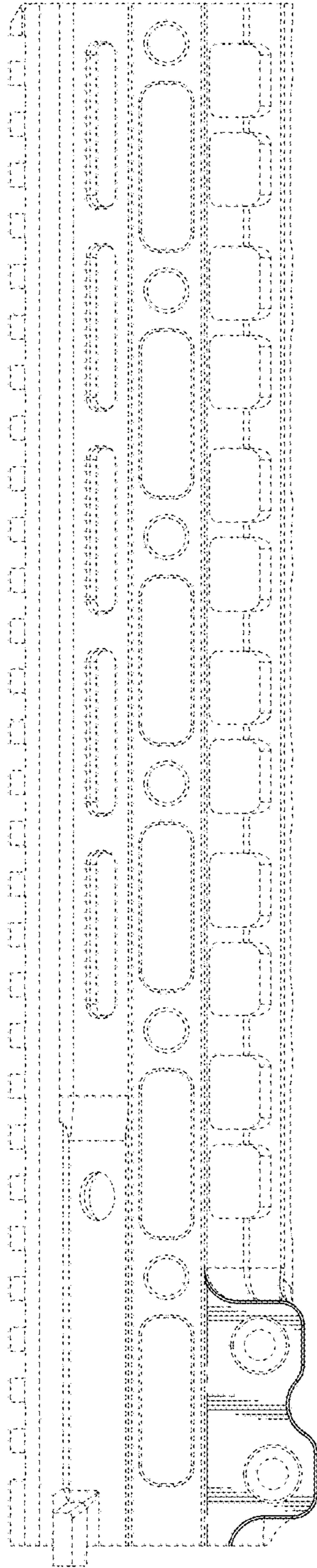


FIG. 4

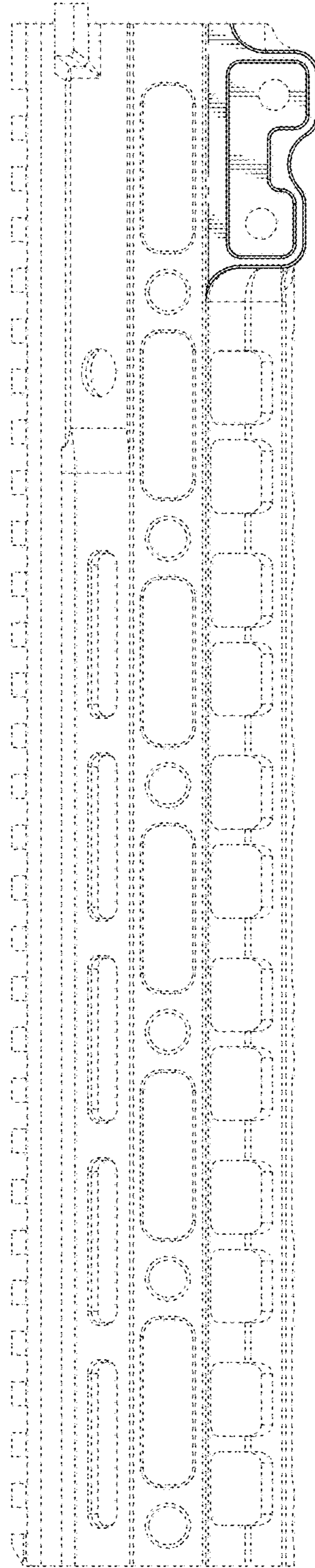


FIG. 5

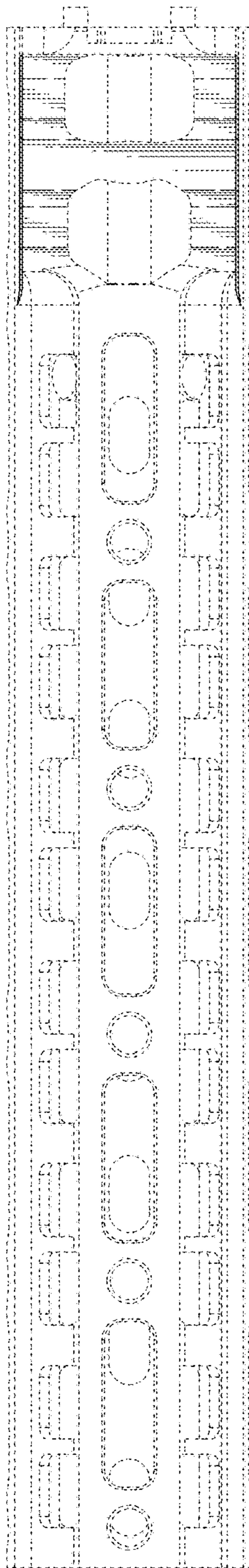


FIG. 6