



US00D828895S

(12) **United States Design Patent** (10) **Patent No.:** **US D828,895 S**  
**Geissele** (45) **Date of Patent:** **\*\* Sep. 18, 2018**

(54) **TRIGGER MECHANISM**  
(71) Applicant: **WHG Properties, LLC**, North Wales, PA (US)  
(72) Inventor: **William H. Geissele**, Lower Gwynedd, PA (US)  
(73) Assignee: **WHG Properties, LLC**, North Wales, PA (US)  
(\*\*) Term: **15 Years**  
(21) Appl. No.: **29/579,212**  
(22) Filed: **Sep. 28, 2016**  
(51) **LOC (11) Cl.** ..... **22-01**  
(52) **U.S. Cl.**  
USPC ..... **D22/108**  
(58) **Field of Classification Search**  
USPC ..... D22/103, 104, 108; D21/572; D8/68  
CPC ..... F41A 19/10; F41A 17/46; F41A 35/00;  
F41A 19/09; F41A 19/11; F41A 19/21;  
F41C 27/00  
See application file for complete search history.

(56) **References Cited**  
U.S. PATENT DOCUMENTS  
644,402 A 2/1900 Bye  
2,406,980 A 9/1946 Young  
2,464,427 A 3/1949 Wilson  
3,251,268 A 5/1966 Menneking  
5,086,579 A 2/1992 Flatley  
5,913,261 A 6/1999 Guhring  
9,046,313 B1 6/2015 Lutton  
9,146,066 B1 9/2015 Cason  
9,310,150 B1 4/2016 Geissele  
D781,987 S \* 3/2017 Geissele ..... D22/108  
D783,112 S \* 4/2017 Geissele ..... D22/108  
D783,759 S \* 4/2017 Geissele ..... D22/108  
9,618,288 B2 4/2017 Wilson

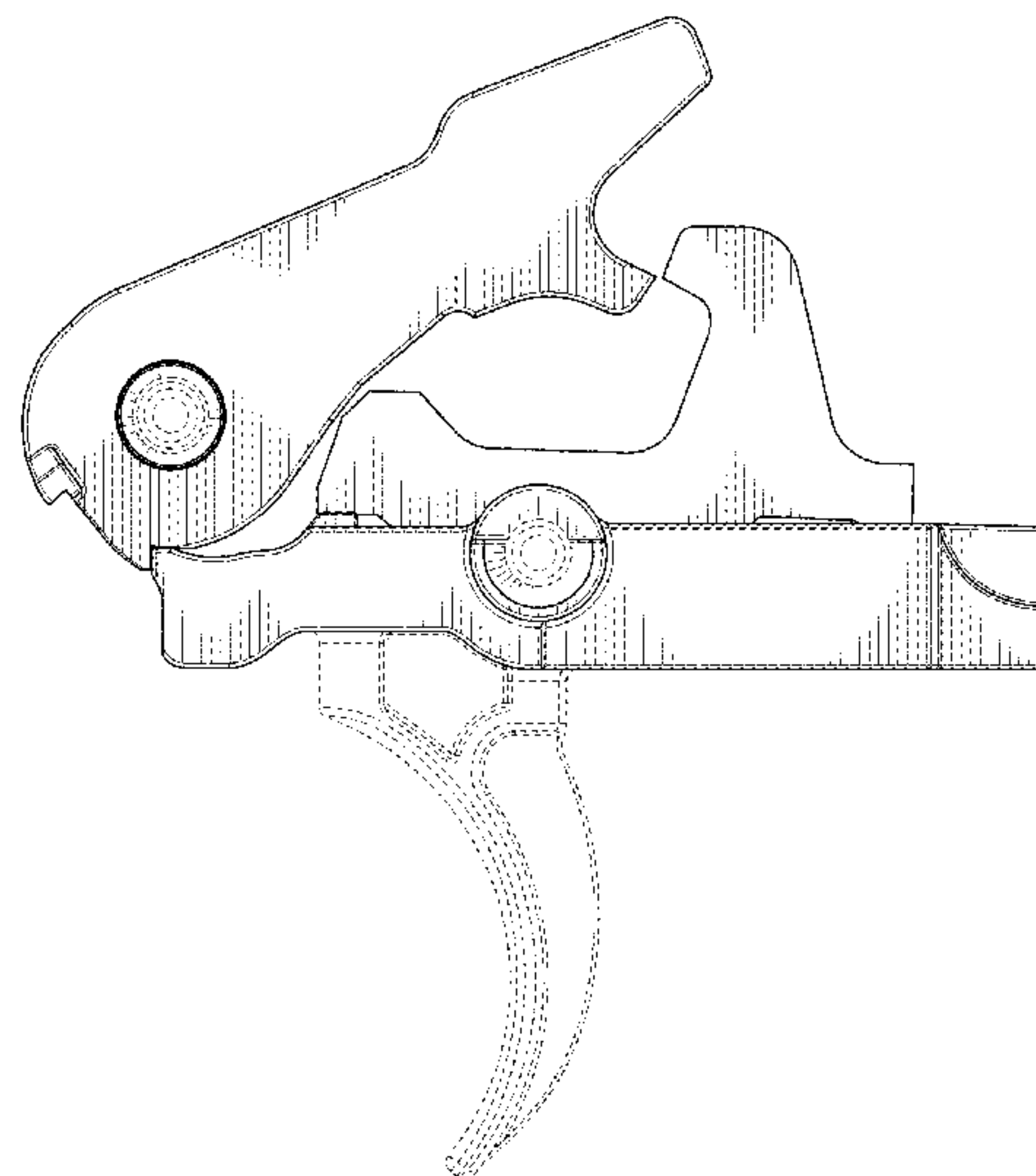
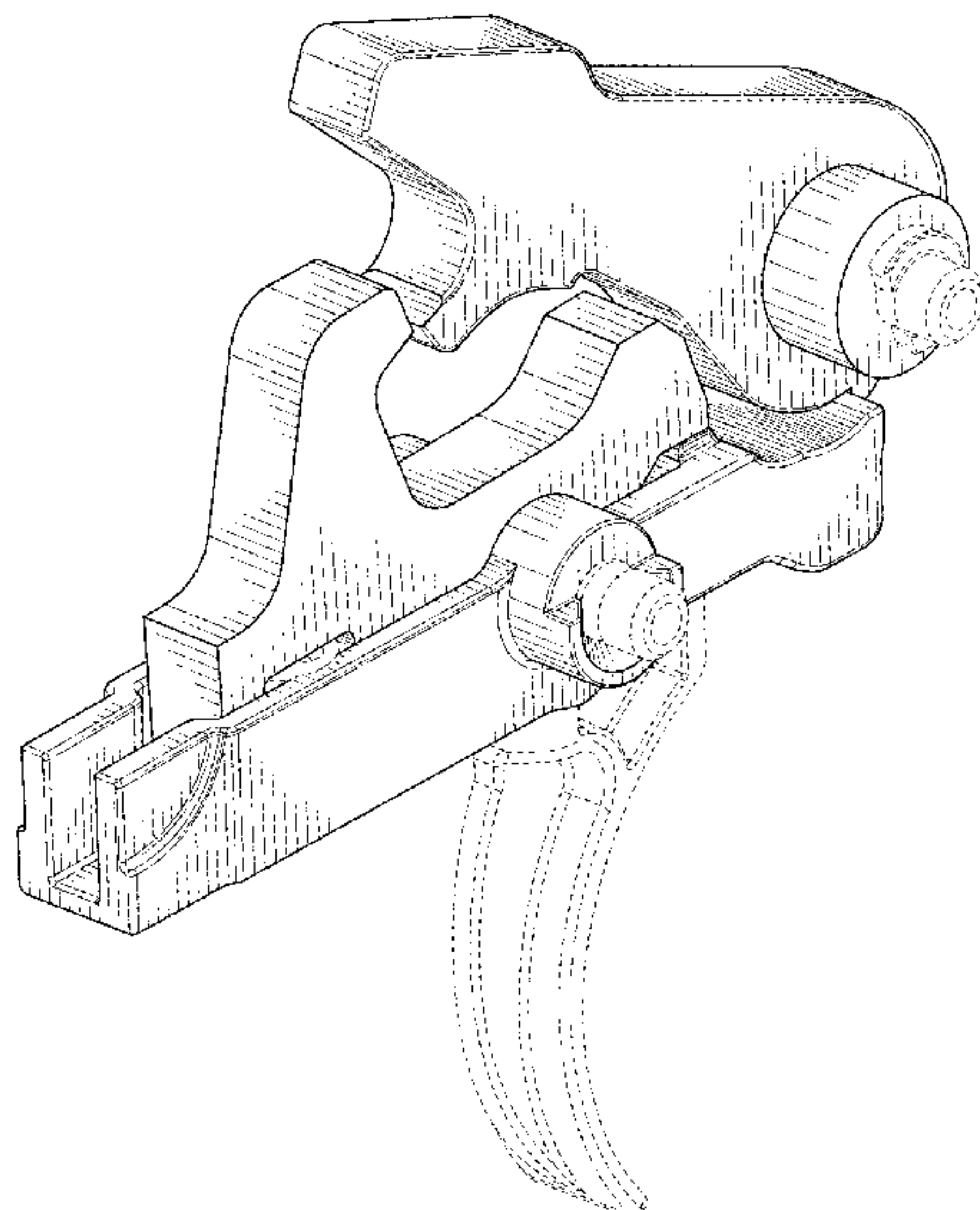
9,618,289 B1 \* 4/2017 Geissele ..... F41A 19/46  
9,638,485 B2 \* 5/2017 Geissele ..... F41A 19/10  
9,719,744 B2 8/2017 Horch  
9,733,034 B1 8/2017 Vianji  
9,777,980 B2 10/2017 Heizer  
9,784,518 B2 \* 10/2017 Geissele ..... F41A 19/46  
9,791,233 B2 \* 10/2017 Geissele ..... F41A 19/46  
9,927,197 B1 \* 3/2018 Geissele ..... F41A 17/46  
9,927,198 B2 \* 3/2018 Geissele ..... F41A 19/10  
2005/0217652 A1 10/2005 Styles  
2010/0229843 A1 9/2010 Hu  
2011/0079137 A1 4/2011 Audibert  
2015/0153126 A1 6/2015 Bender  
2015/0338181 A1 11/2015 McAlister  
2016/0363401 A1 12/2016 Elftmann  
(Continued)

Primary Examiner — Michael A. Pratt  
(74) Attorney, Agent, or Firm — Fox Rothschild LLP

(57) **CLAIM**  
The ornamental design for a trigger mechanism, as shown and described.

**DESCRIPTION**  
FIG. 1 is a perspective view of a trigger mechanism according to the present disclosure.  
FIG. 2 is a left side view of the trigger mechanism of FIG. 1.  
FIG. 3 is a right side view of the trigger mechanism of FIG. 1.  
FIG. 4 is a rear view of the trigger mechanism of FIG. 1.  
FIG. 5 is a front view of the trigger mechanism of FIG. 1.  
FIG. 6 is a top view of the trigger mechanism of FIG. 1.  
FIG. 7 is a bottom view of the trigger mechanism of FIG. 1; and,  
FIG. 8 is another right side view of the trigger mechanism of FIG. 1.  
The broken lines in the Figures are for illustrative purposes only and form no part of the claimed design.

**1 Claim, 6 Drawing Sheets**



(56)

**References Cited**

U.S. PATENT DOCUMENTS

2017/0097204 A1 4/2017 Geissele  
2017/0122686 A1 5/2017 Fellows  
2017/0131054 A1 5/2017 Geissele

\* cited by examiner

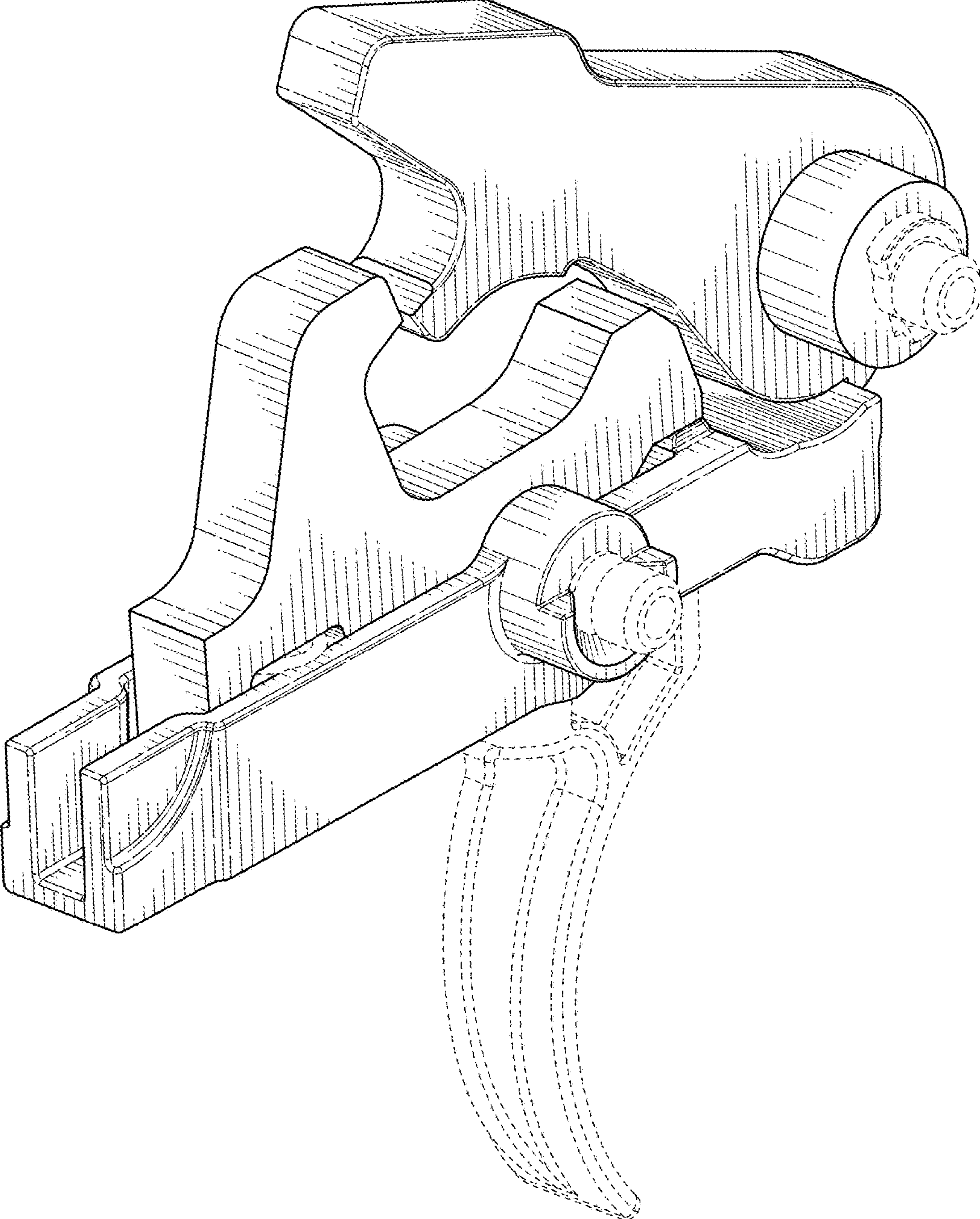


FIG. 1

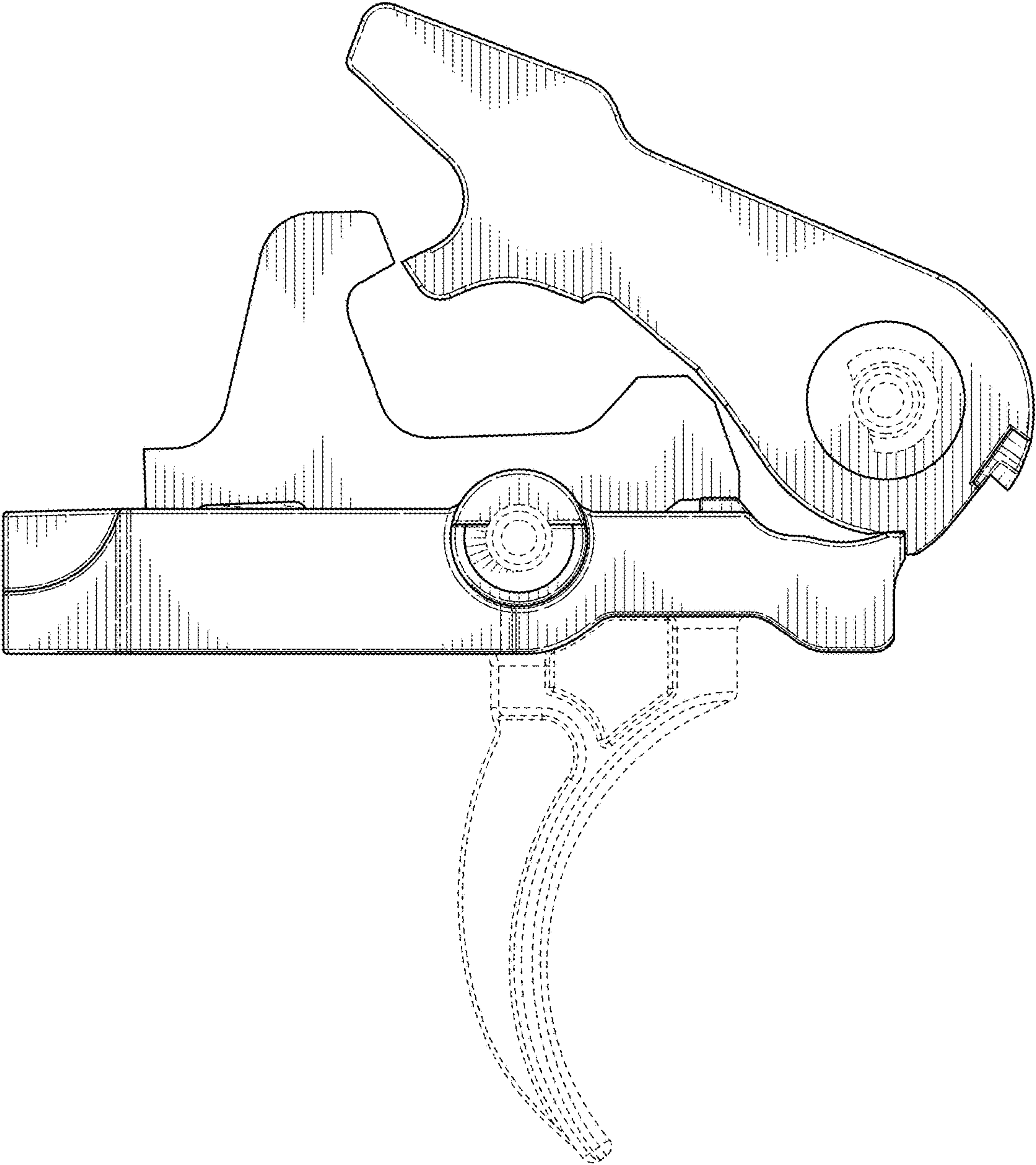


FIG. 2



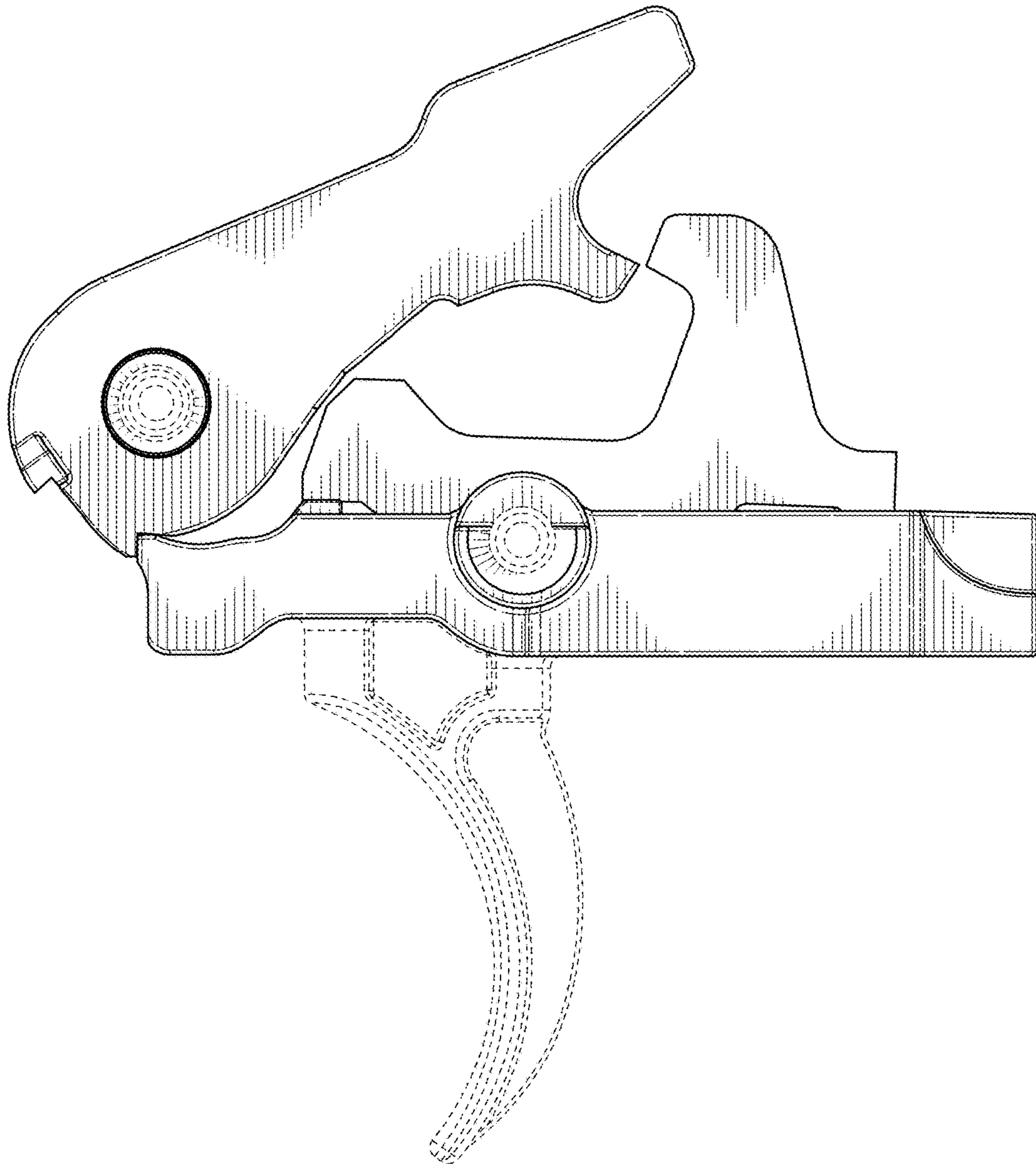


FIG. 3

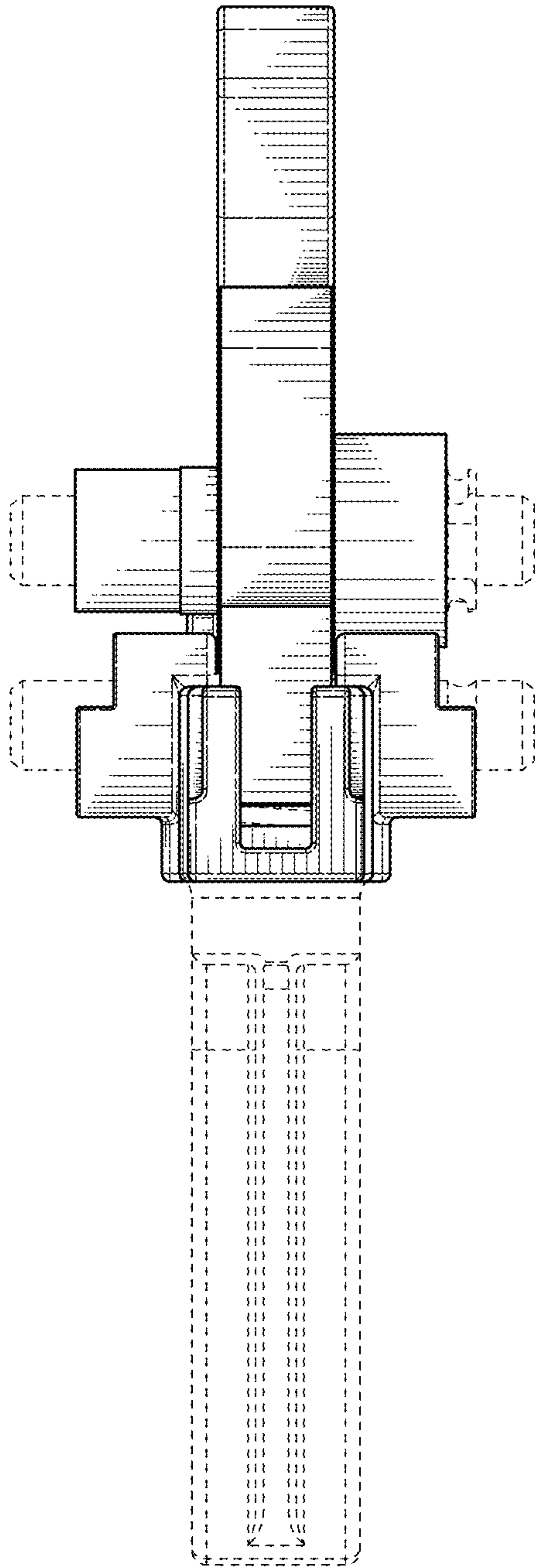


FIG. 4

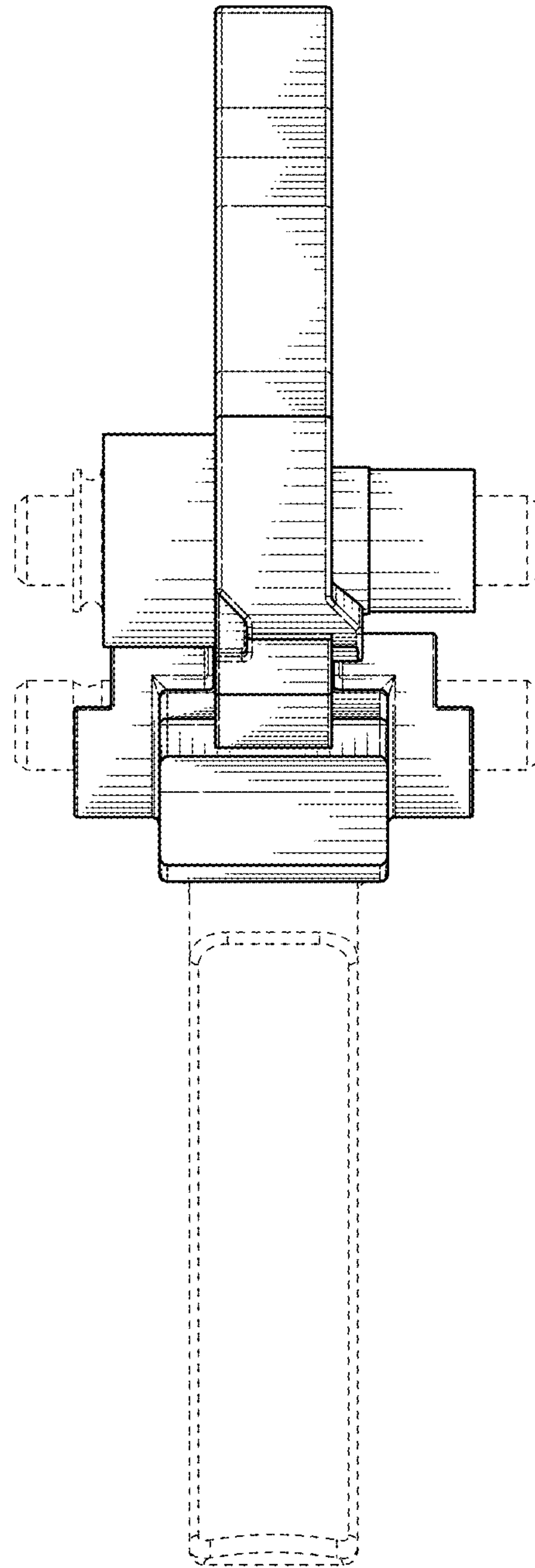


FIG. 5

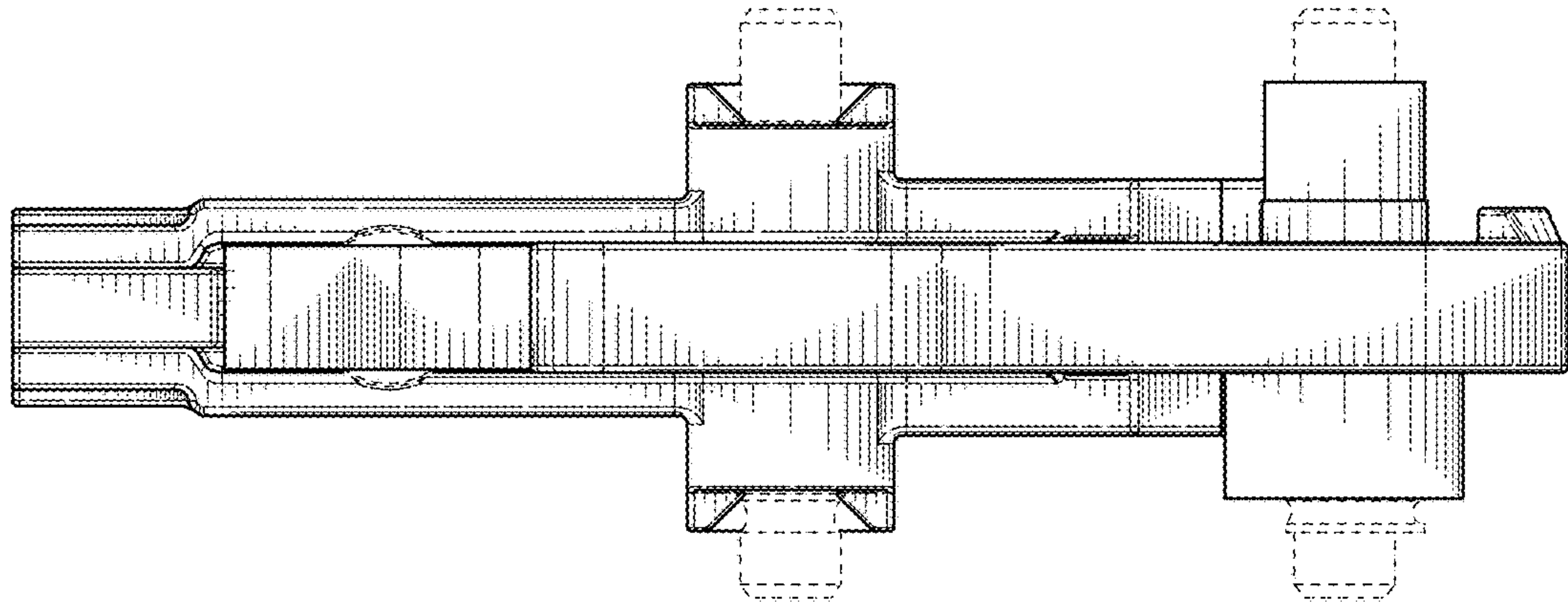


FIG. 6

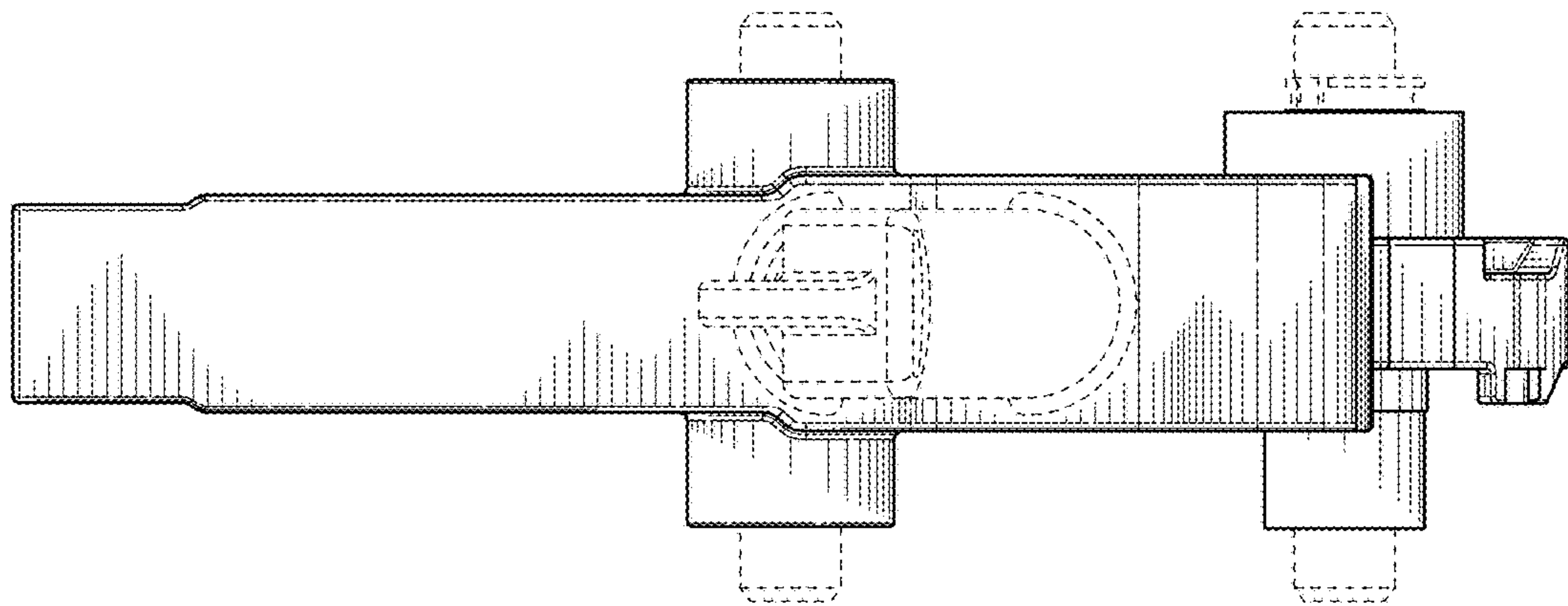


FIG. 7

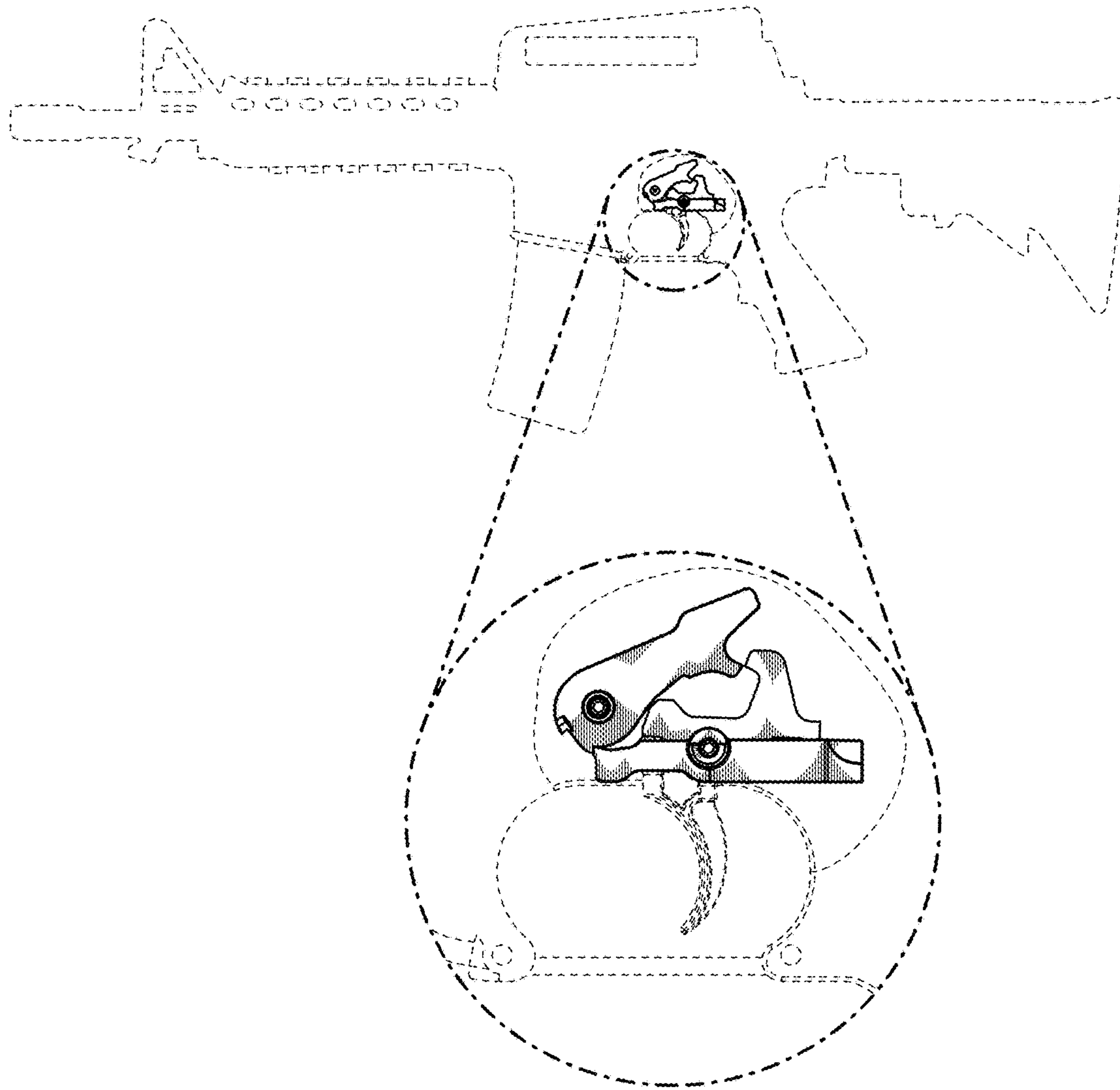


FIG. 8